



Designed for Balcony, Staircase & Commercial Applications

# ALUMINUM GLASS GUARDRAIL SYSTEMS

One-Stop Solution for Profiles, Hardware & Complete Systems

- ✓ OEM & Project Support
- ✓ Fast Delivery | Custom Design



## COMPANY PROFILE 企业简介



Eco-Friendly Corrosion Resistance Workability Fire Resistance Waterproof

Based in Foshan, China's premier aluminum production base, Yaoxing Aluminum is a professional manufacturer specializing in aluminum glass guardrail systems.

We provide a complete one-stop solution, covering high-quality aluminum profiles, matching accessories, hardware and installation parts. With in-house full-process production including extrusion, spraying, oxidation, wood grain and other surface treatments, we ensure stable quality, perfect matching and high compatibility.

### Our core advantages:

- ✓ Professional design & customized solutions
- ✓ Full-process manufacturing & strict quality control
- ✓ Stable mass production capacity
- ✓ Comprehensive technical guidance
- ✓ Professional after-sales & installation support
- ✓ Safe, durable, elegant and long-lasting performance

We are committed to providing reliable, high-performance guardrail systems for global construction, engineering and wholesale partners.

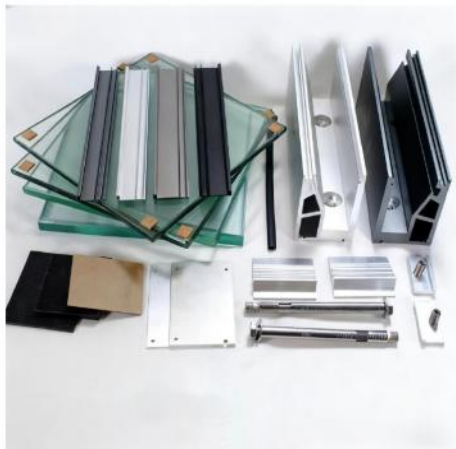
# SYSTEM ADVANTAGES

Engineered for Strength, Efficiency & Long-Term Performance



**A complete aluminum system is not just about profiles**

—it's about how every component works together to deliver strength, safety, and long-term reliability.



## ✓ Complete System Matching

All profiles, accessories, and hardware are precisely designed to work together, ensuring easy installation and perfect compatibility.



## ✓ High Structural Strength

Engineered aluminum profiles provide excellent load-bearing capacity and stability for both residential and commercial applications.



## ✓ Easy & Efficient Installation

Modular design reduces on-site work, no complex processing required, saving time and labor costs.



## ✓ Weather & Corrosion Resistance

Advanced surface treatment ensures long-term durability against rain, UV, and harsh outdoor environments.



## ✓ Clean & Modern Design

Hidden connections and well-integrated structure create a sleek, high-end architectural appearance.

# HOW TO CHOOSE THE RIGHT GLASS RAILING SYSTEM

A Simple Guide To Help You Select The Most Suitable Solution For Your Project

## Step 1 Choose Application Scenario

Different applications require different system designs.



- ▶ Balcony → Focus On Aesthetics & View
- ▶ Staircase → Focus On Safety & Structure
- ▶ Commercial → Focus On Durability & Load

## Step 2 Select Installation Method

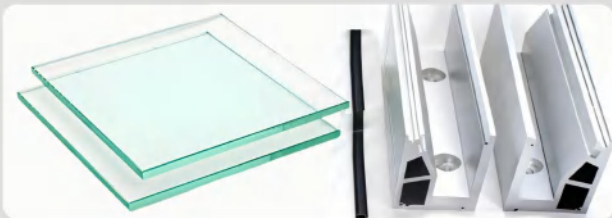
Installation type affects both appearance and construction method.



- ▶ Surface Mounted → Easy Installation
- ▶ Embedded → Cleaner Look
- ▶ Side Mounted → Space-saving

## Step 3 Confirm Glass Specification

Glass type and thickness are critical for safety and performance.



- ▶ Laminated glass (recommended)
- ▶ Common options: 6+6 / 8+8 tempered laminated
- ▶ Thickness depends on project requirement

## Step 4 Choose Finish & Design

Surface finish and design should match the project style.



- ▶ Powder coating
- ▶ Anodizing
- ▶ Wood grain

Not sure which system fits your project?  
Our team is ready to recommend the best solution for you.



# CONTENTS

## 目录

### Universal Profiles & Accessories

Glass handrail surface tube  
玻璃扶手面管 ..... 02-04

Stainless steel glass anchor clip  
不锈钢玻璃地脚夹 ..... 05

### Stair Handrail Systems

Exposed/embedded aluminum groove  
glass staircase handrail  
明装\预埋铝槽玻璃楼梯扶手 ..... 07

External hanging side mounted  
glass stair handrail  
外挂侧装款玻璃楼梯扶手 ..... 08

50 column stair handrail (45 surface tube)  
50立柱款楼梯扶手(45面管) ..... 09

50 column staircase handrail without handrail  
50立柱无扶手款楼梯扶手 ..... 10

46 surface mounted splicing  
bottom slot stair handrails  
46款明装拼接底槽楼梯扶手 ..... 11

90 embedded bottom groove  
staircase handrail  
90款预埋底槽楼梯扶手 ..... 12

Stainless steel anchor  
clamp stair handrail  
不锈钢地脚夹款楼梯扶手 ..... 13



### Glass Railing Systems

#### Frameless & Concealed Frame Series

Open installation bottom groove  
of frameless glass guardrail  
无框玻璃护栏明装底槽 ..... 15-18

95x40 exposed base semi-frameless design  
95x40 明装半隐框护栏 ..... 19

#### Post Support Series

50 column glass guardrail  
50立柱玻璃护栏 ..... 21-23

80x40 beveled and prismatic  
column glass guardrail  
80x40斜边、棱形立柱玻璃护栏 ..... 24-25

Floor type large column glass guardrail  
落地款大立柱玻璃护栏 ..... 26-27

Small column glass guardrail  
小立柱款玻璃护栏 ..... 28

Small column french window glass guardrail  
小立柱款落地窗玻璃护栏 ..... 29

#### Commercial & Customized Solutions

Engineering guardrail  
工程护栏 ..... 31-35

Customized engineering guardrail  
工程护栏定制款 ..... 36



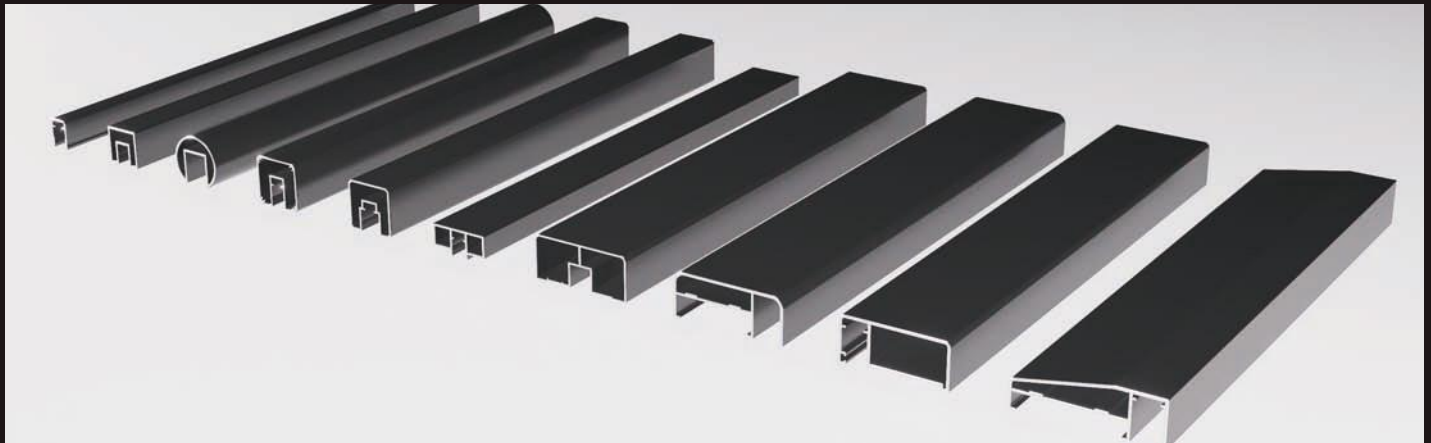
# UNIVERSAL PROFILES & ACCESSORIES

---



# GLASS HANDRAIL

## SURFACE PIPE 玻璃扶手面管



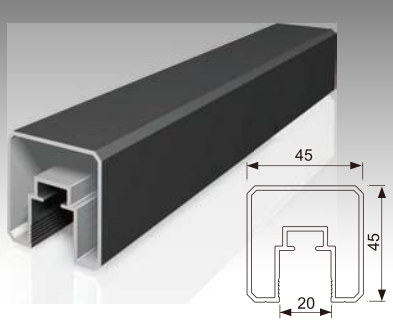
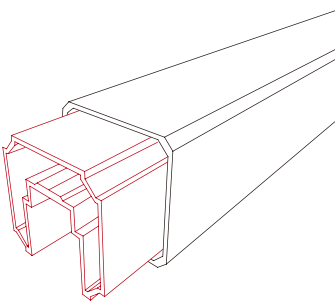
<p>20x28 handrail surface tube 20x28 扶手面管</p>	<p>90 ° vertical angle code 90 度纵向角码</p>	<p>Vertical adjustment angle code 纵向调节角码</p>
	<p>90 ° horizontal angle code 90 度横向角码</p>	<p>20 face pipe wall fastener 20 面管墙面固定件</p>

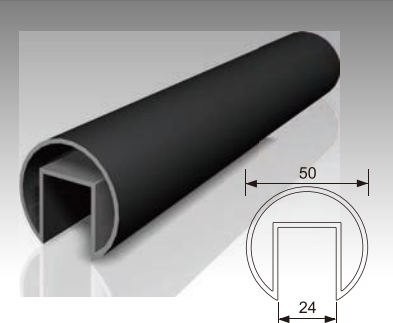
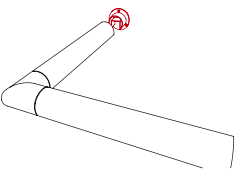
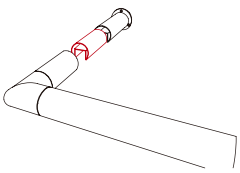
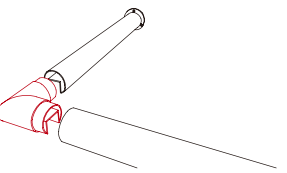
<p>35x35 handrail surface tube 35x35 扶手面管</p>	<p>90 ° vertical angle code 90 度纵向角码</p>	<p>90 ° horizontal angle code 90 度横向角码</p>	<p>Drop 90 ° direct angle code 落差 90 度直接角码</p>
	<p>Vertical adjustment angle code 纵向活动调节角码</p>		

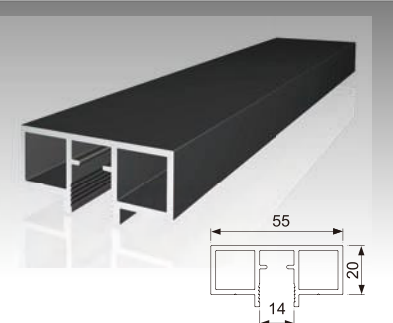
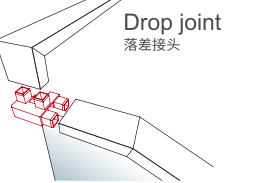
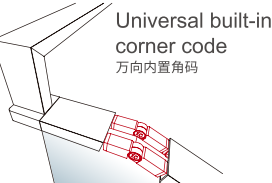
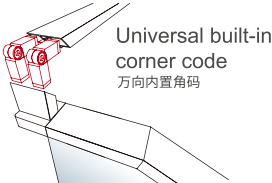
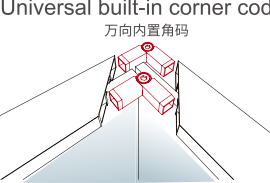
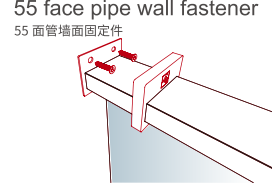
<p>45x45 handrail surface tube 45x45 扶手面管</p>	<p>Drop right angle connector 落差直角连接件</p>	<p>Built in vertical corner code 内置纵向角码</p>	<p>Built in vertical corner code 内置纵向角码</p>
	<p>Built in horizontal corner code 内置横向角码</p>	<p>45 face pipe wall fastener 45 面管墙面固定件</p>	

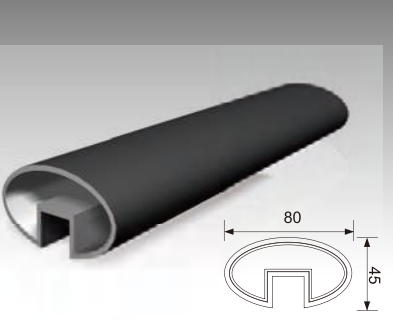
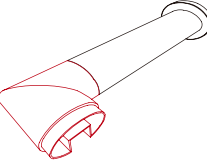
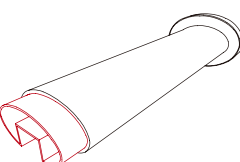
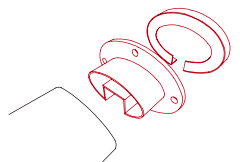
# GLASS HANDRAIL SURFACE PIPE

玻璃扶手面管

 <p><b>45x45 (20 notches) handrail surface tube</b> 45x45 (20 槽口) 扶手面管</p>	 <p>45 armrest with built-in direct components and 14 slots for use 45 扶手内置直接件与 14 槽运用</p> <p>Note: Designed for balcony railings with 8+8 laminated glass.</p>
---	---

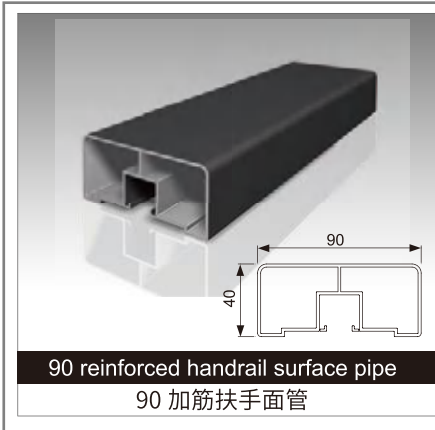
 <p><b>50 round tube handrail surface tube</b> 50 圆管扶手面管</p>	 <p>Wall fasteners 墙面固定件</p>	 <p>Surface tube built-in direct head 面管内置直接头</p>	 <p>90° corner joint 90 度转角接头</p>
<p>Note: For foreign trade orders . Customized accessories (no stock).</p>			

 <p><b>55x20 handrail surface tube</b> 55x20 扶手面管</p>	 <p>Drop joint 落差接头</p>	 <p>Universal built-in corner code 万向内置角码</p>	 <p>Universal built-in corner code 万向内置角码</p>
	 <p>Universal built-in corner code 万向内置角码</p>	 <p>55 face pipe wall fastener 55 面管墙面固定件</p>	

 <p><b>80x45 ellipses handrail surface tube</b> 80x45 椭圆扶手面管</p>	 <p>90° welded elbow 90 度焊接弯头</p>	 <p>Built in direct components 内置直接件</p>	 <p>Wall fixing decorative cover 墙面固定件装饰盖</p>
<p>Note: For foreign trade orders . Customized accessories (no stock).</p>			

# PILLAR STYLE GLASS ARMREST SURFACE TUBE

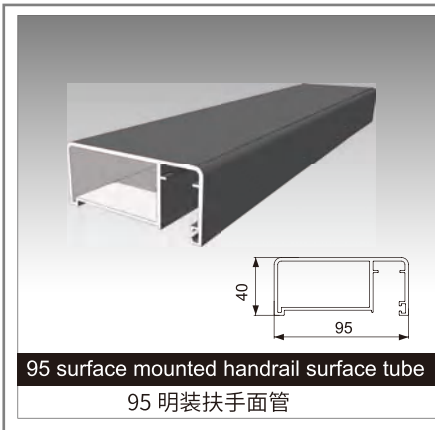
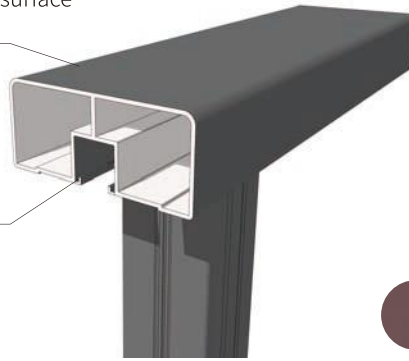
立柱款玻璃扶手面管



90x40x2.0 handrail surface pipe

90x40x2.0 扶手面管

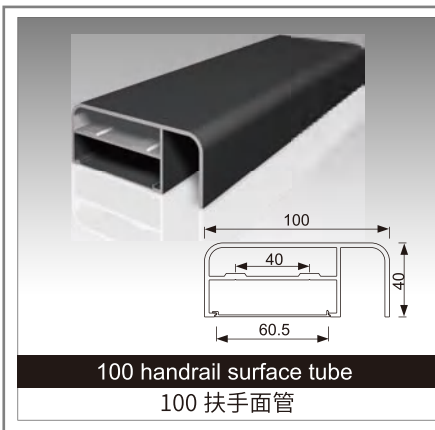
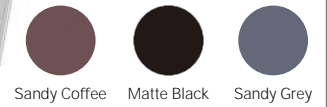
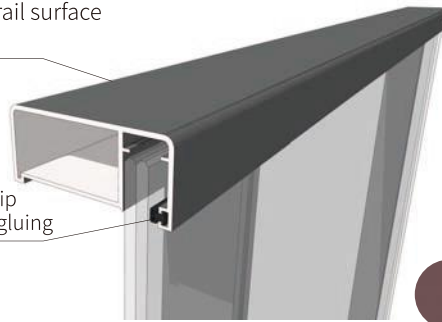
14/16/20 mm tear  
14/16/20 mm 撕口



95x40x2.5 handrail surface pipe

95x40x2.5 扶手面管

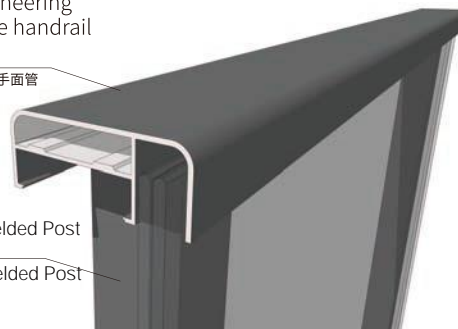
The outer skin strip  
does not require gluing  
外皮条免打胶



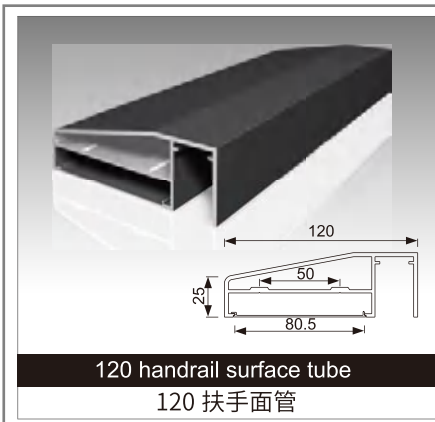
100x40x2.5 engineering  
concealed frame handrail  
surface pipe

100x40x2.5 工程隐框扶手面管

60x40 Aluminum Welded Post  
60x40 铝合金焊接立柱  
60x12 Steel Plate Welded Post  
60x12 钢板焊接立柱



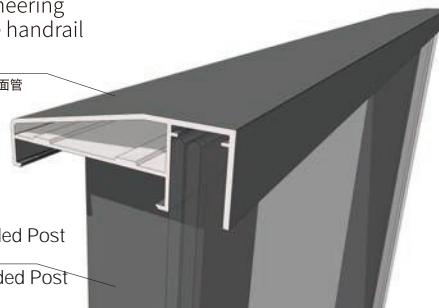
○ Custom Color



120x40x2.5 engineering  
concealed frame handrail  
surface pipe

120x40x2.5 工程隐框扶手面管

80x40 Aluminum Welded Post  
80x40 铝合金焊接立柱  
80x12 Steel Plate Welded Post  
80x12 钢板焊接立柱



○ Custom Color

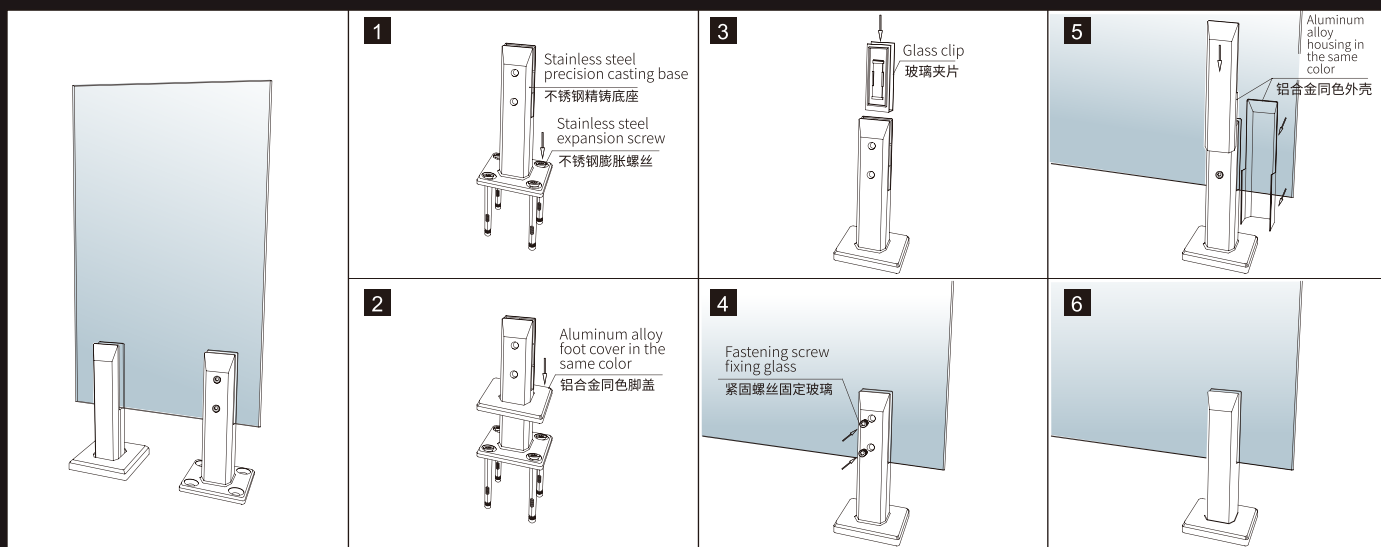
# STAINLESS STEEL GLASS

## ANCHOR CLAMP 不锈钢玻璃地脚夹



■ Note: the color of all glass clips is the same as that of handrail surface tube

注：所有玻璃夹颜色与扶手面管同色



- 1. simple and fast installation
- 2. the patented aluminum alloy shell has rich colors, fine surface, and the base is the same color as the surface tube
- 3. hidden screw holes, fashionable and elegant

- 1. 安装简单、快捷
- 2. 专利铝合金外壳，颜色丰富，表面细腻，底座与面管同色
- 3. 隐藏螺丝孔，造型时尚大气

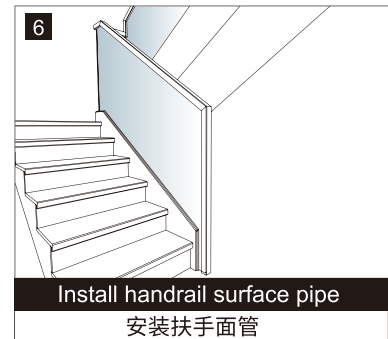
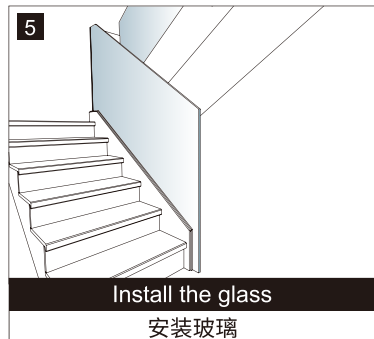
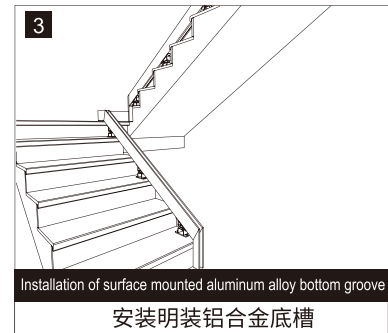
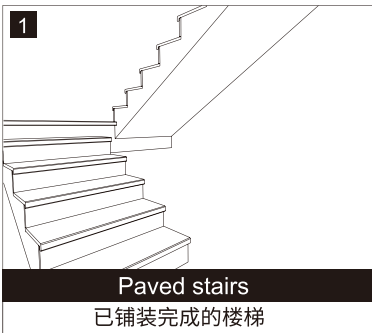
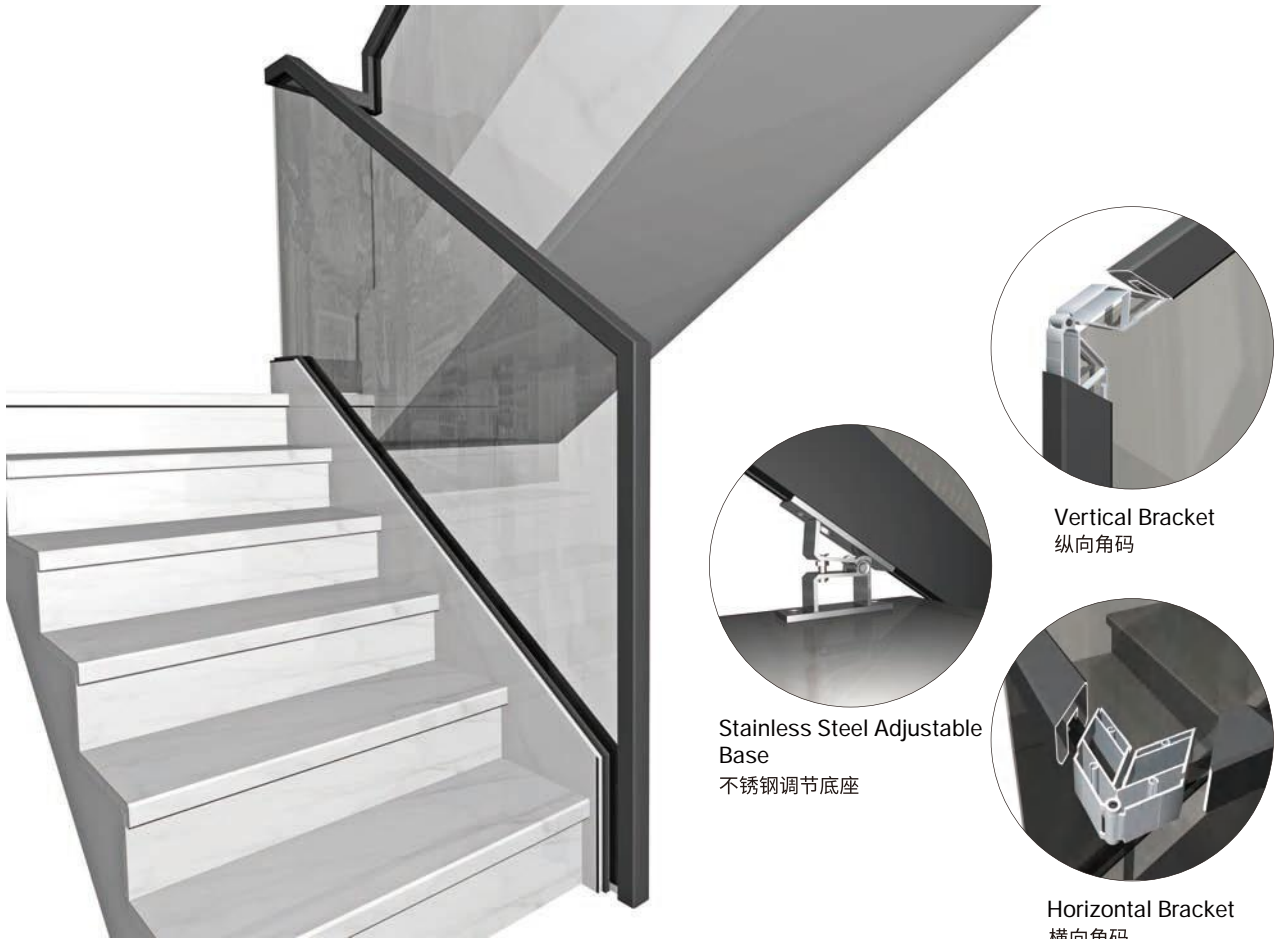
# STAIR HANDRAIL SYSTEMS



FA  
O  
X

# EXPOSED/EMBEDDED ALUMINUM GROOVE GLASS STAIRCASE HANDRAIL

明装 \ 预埋铝槽玻璃楼梯扶手

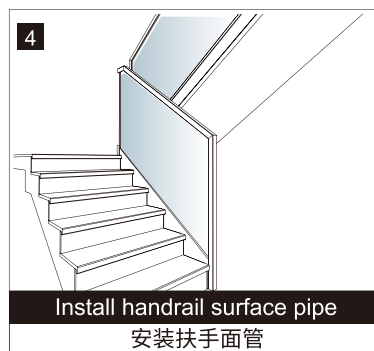
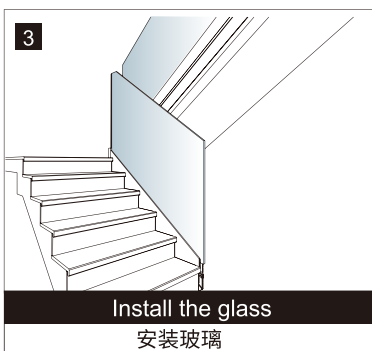
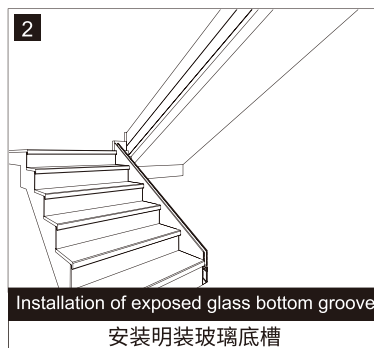
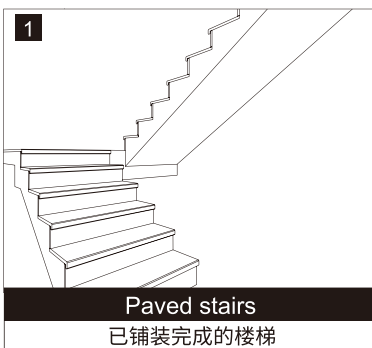
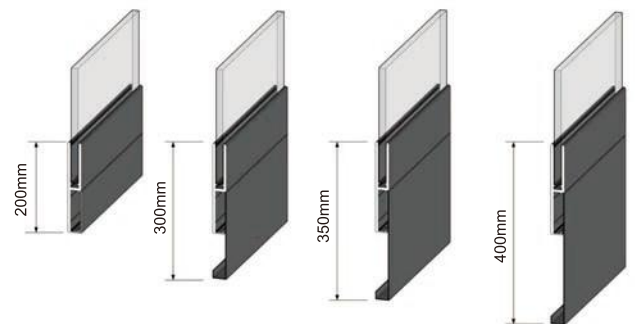


- 1. surface mounted glass handrails are mainly made for the paved stairs
- 2. fast, beautiful, fashionable, safe and reliable installation

- 1. 主要针对已完成铺装的楼梯做明装玻璃扶手
- 2. 安装快捷、美观、时尚、安全可靠



200/300/350/400 side bottom mounting groove  
200/300/350/400 侧装底槽



- 1. surface mounted external hanging and side mounted mainly for the paved stairs
- 2. the installation is fast, beautiful, fashionable, safe and reliable, and step triangle is not required

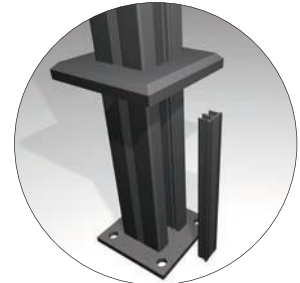
- 1. 主要针对已完成铺装的楼梯做明装外挂、侧装
- 2. 安装快捷、美观时尚、安全可靠，免装踏步三角板

# 50 COLUMN STAIR HANDRAIL (45 SURFACE TUBE)

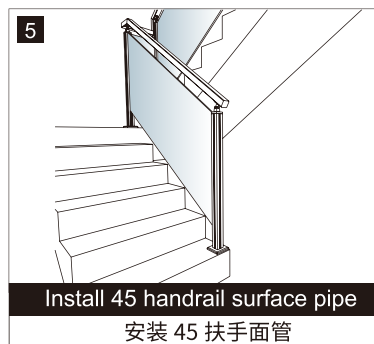
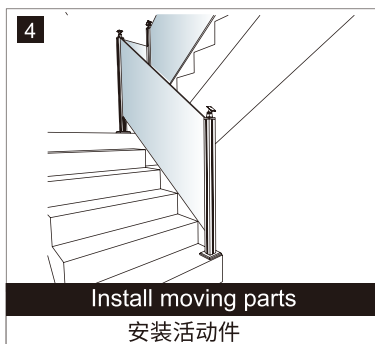
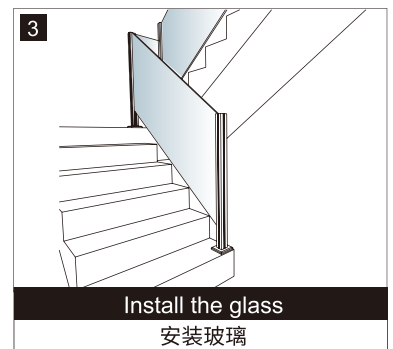
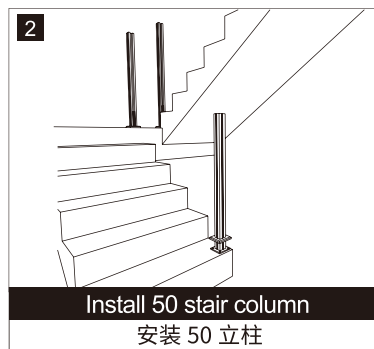
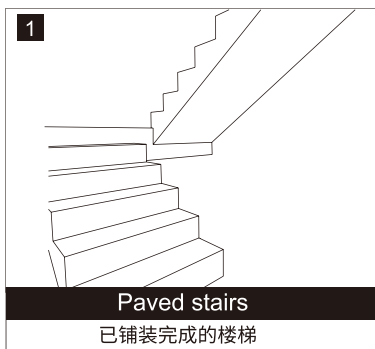
50 立柱款楼梯扶手 (45 面管)



Movable Top Rail Connector  
活动件面管连接



Welded Base、Glazing Bead Decorative Cover  
焊接底座、压线装饰盖

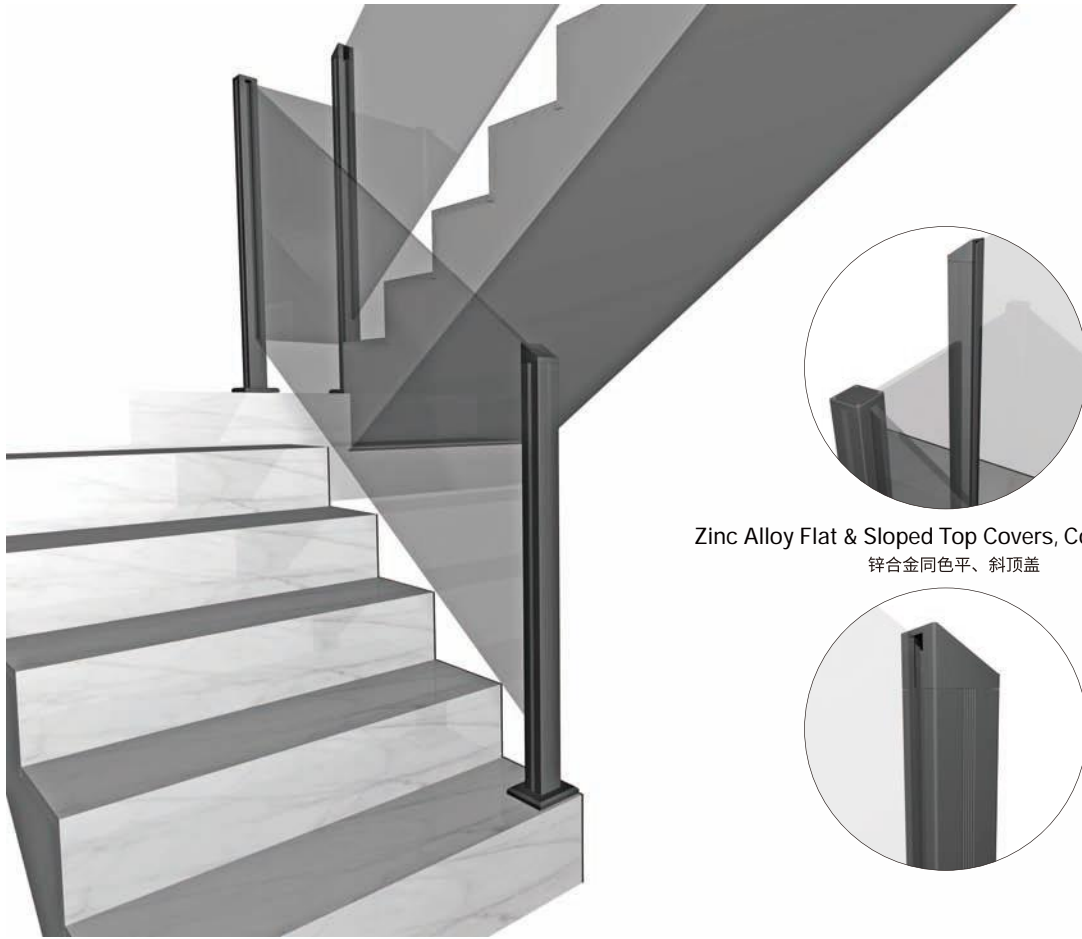


- 1. Mainly for stairs that have been paved
- 2. Quick installation, beautiful and fashionable, safe and reliable

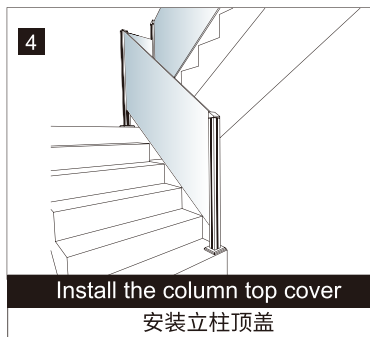
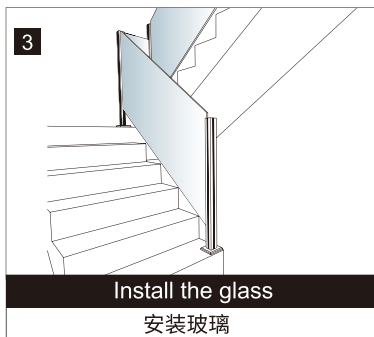
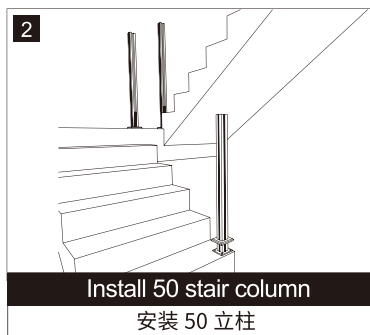
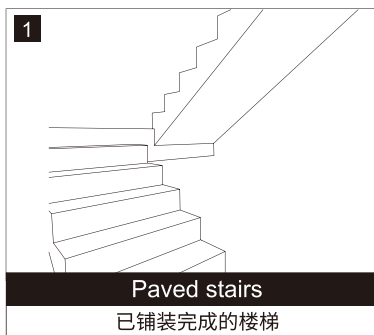
- 1. 主要针对已完成铺装的楼梯
- 2. 安装快捷、美观时尚、安全可靠

# 50 COLUMN STAIRCASE HANDRAIL WITHOUT HANDRAIL

50 立柱无扶手款楼梯扶手



Zinc Alloy Flat & Sloped Top Covers, Color Matched  
锌合金同色平、斜顶盖

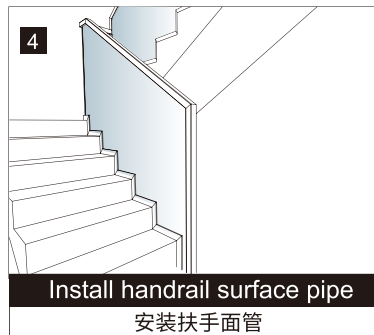
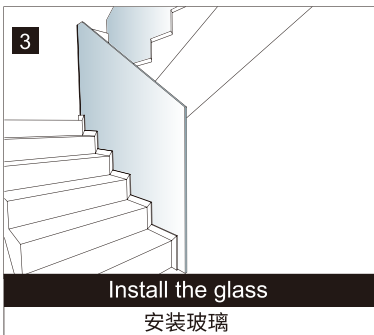
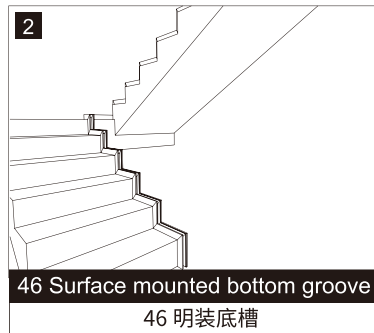
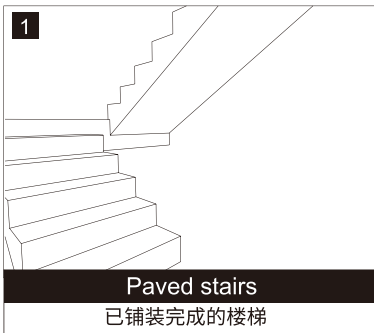


- 1. Mainly for paved stairs
- 2. Quick installation, beautiful and fashionable, safe and reliable, modern and simple

- 1. 主要针对已完成铺装的楼梯
- 2. 安装快捷、美观时尚、安全可靠

# 46 SURFACE MOUNTED SPLICING BOTTOM SLOT STAIR HANDRAILS

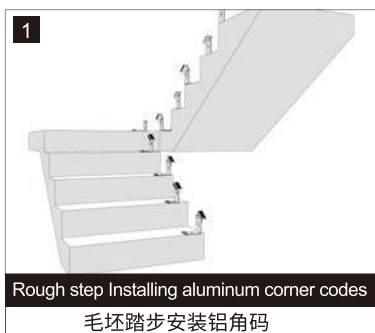
46 款明装拼接底槽楼梯扶手



- 1. surface mounted glass handrails are mainly made for paved stairs
- 2. fast installation, beautiful and fashionable, safe and reliable, light luxury and Minimalism

- 1. 主要针对已铺装完成的楼梯做明装玻璃扶手
- 2. 安装快捷、美观时尚、安全可靠、轻奢极简

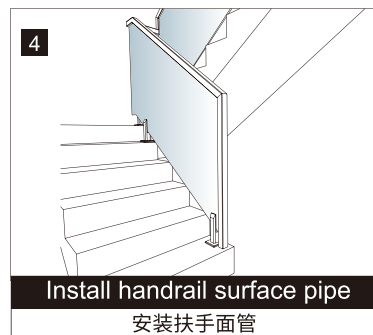
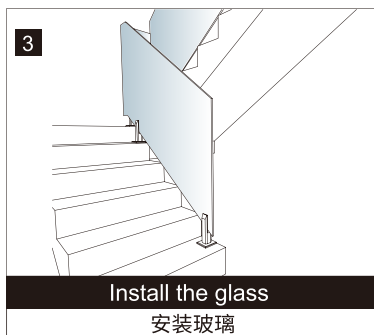
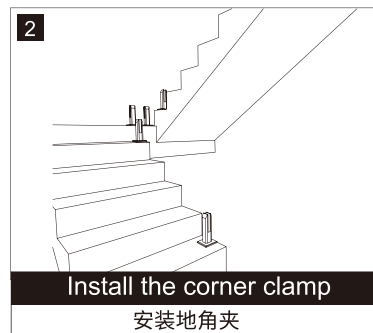
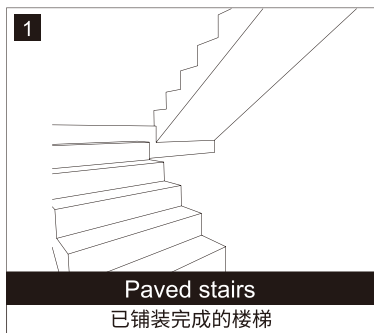
# 90 EMBEDDED BOTTOM GROOVE STAIRCASE HANDRAIL 90 预埋底槽楼梯扶手



- 1. Mainly for pre embedded installation of rough stairs 1. 主要针对毛坯楼梯做预埋安装
- 2. fast installation, beautiful and fashionable, safe and reliable, light luxury and Minimalism 2. 安装快捷、美观时尚、安全可靠、轻奢极简

# STAINLESS STEEL ANCHOR CLAMP STAIR HANDRAIL

不锈钢地脚夹款楼梯扶手



- 1. surface mounted glass handrails are mainly made for paved stairs
- 2. fast installation, beautiful and fashionable, safe and reliable, light luxury and Minimalism

- 1. 主要针对已铺装完成的楼梯做明装玻璃扶手
- 2. 安装快捷、美观时尚、安全可靠、轻奢极简

# GLASS RAILING SYSTEMS

---



GLASS RAILING SYSTEMS

# BOTTOM GROOVE OF FRAMELESS GLASS GUARDRAIL 无框玻璃护栏底槽



## Exposed bottom groove accessories

明装底槽配件



High strength plastic gasket  
高强度塑料垫片



304 stainless steel expansion screw  
304 不锈钢膨胀螺丝



Bottom groove cover  
底槽封盖



LED lamp with aluminum strip  
LED 灯带铝条



Surface tube transparent leather strap  
面管透光皮条



Bottom groove weatherproof leather strap  
底槽耐候皮条

# BOTTOM GROOVE OF FRAMELESS GLASS GUARDRAIL

无框玻璃护栏底槽

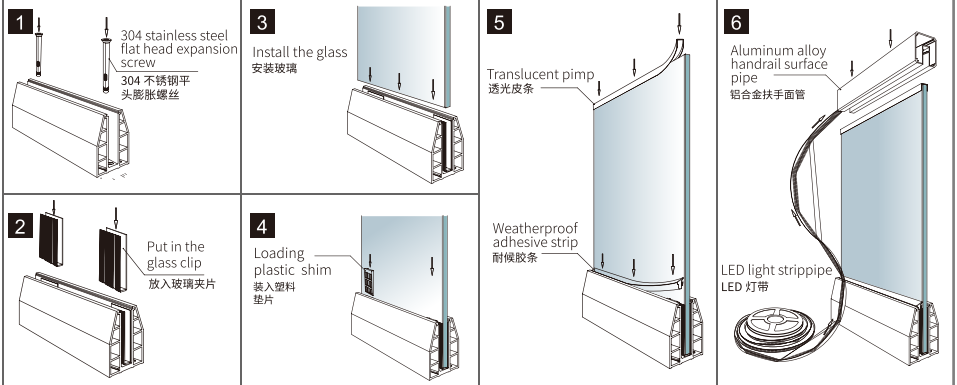
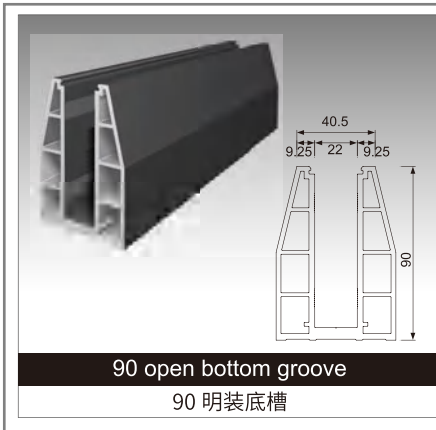
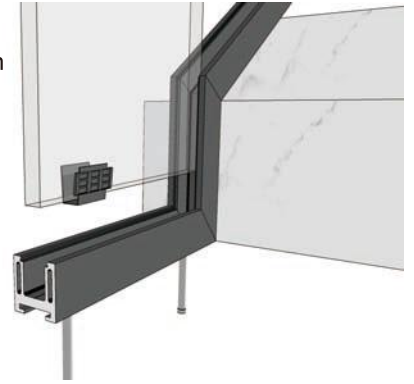


**Description:** Mainly targeting indoor small span exposed bottom grooves. Also make platform corners and other closures for use

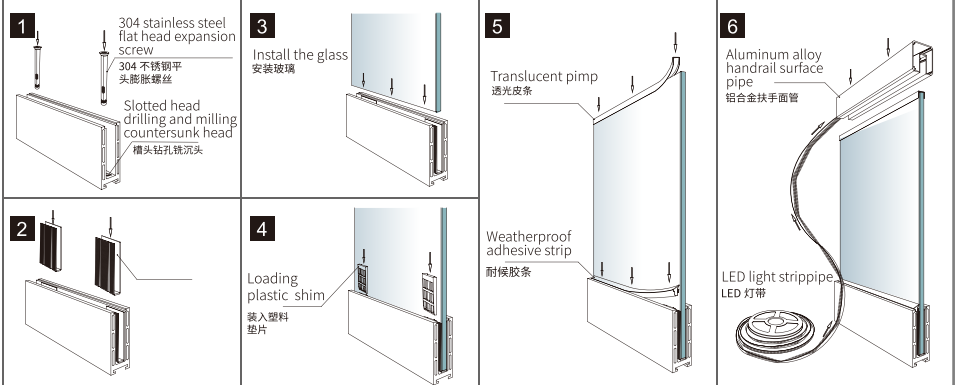
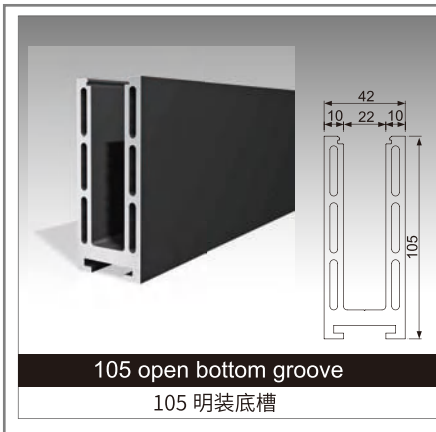
**说明:** 主要针对室内小跨度明装底槽  
另做平台转角等收口处使用

**Suggestion:** Install with a span of about 2m

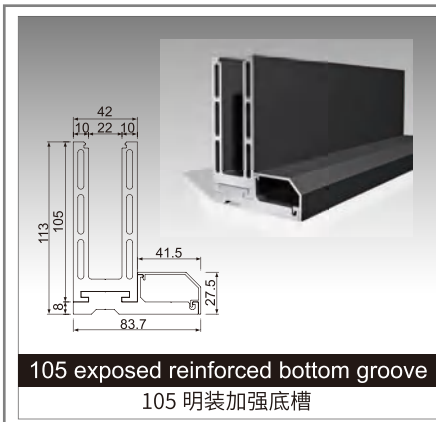
**建议:** 安装跨度 2m 左右



Note: Suitable for exposed installation both indoors and outdoors. Recommended installation span is within 6 m.



Note: Suitable for exposed installation indoors and outdoors. Both exposed installation and embedded installation are recommended.

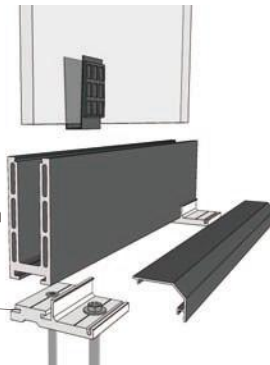


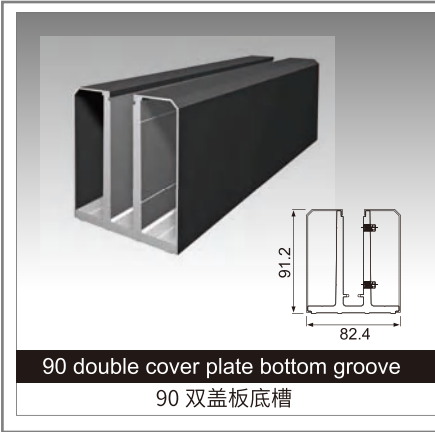
**Description:** Mainly for indoor and outdoor exposed decoration

**说明:** 主要针对室内外明装

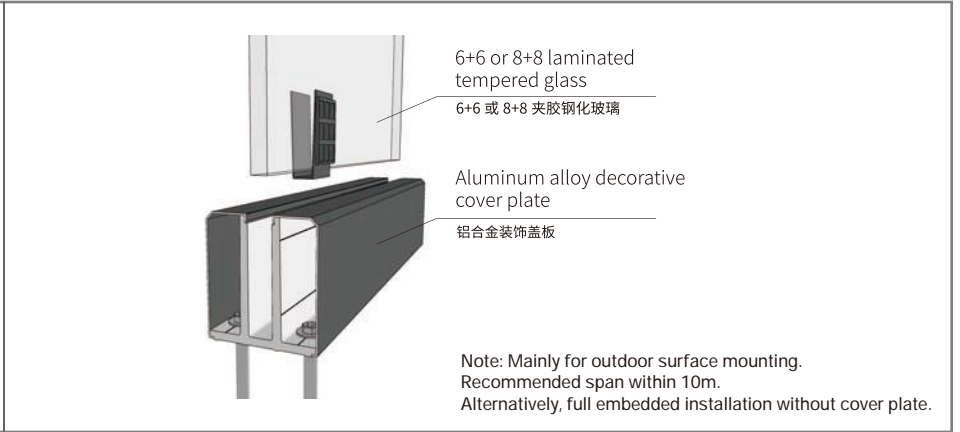
**Suggestion:** Install with a span of less than 10m

**建议:** 安装跨度 10m 以内

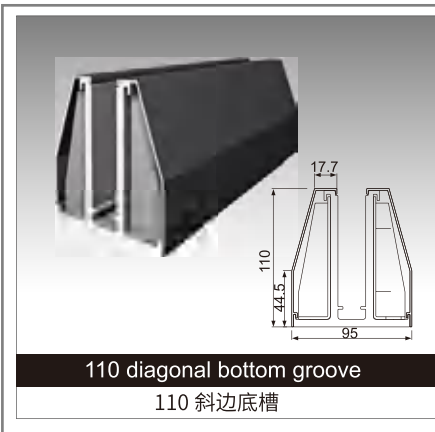
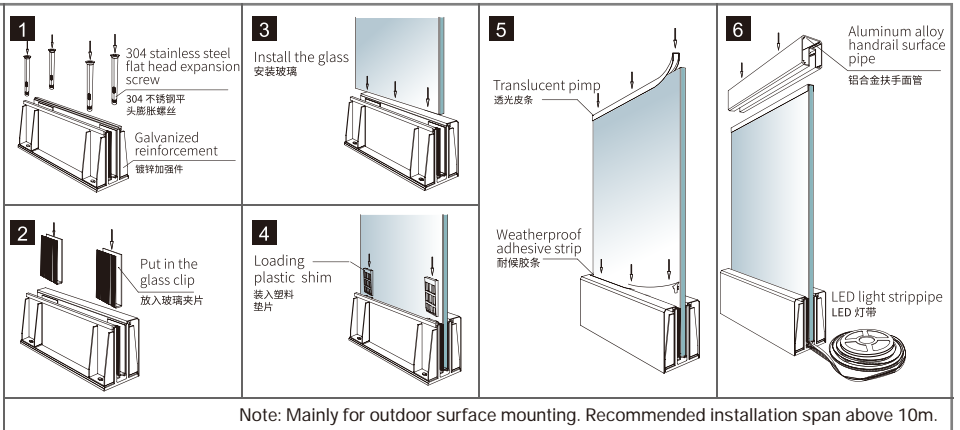




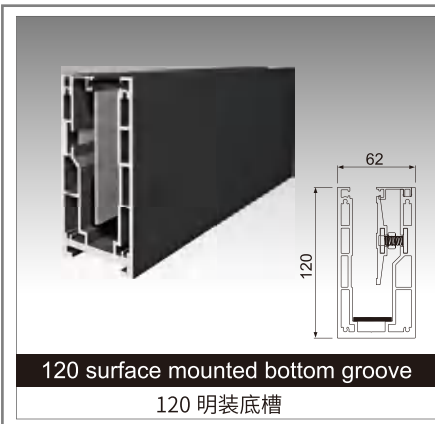
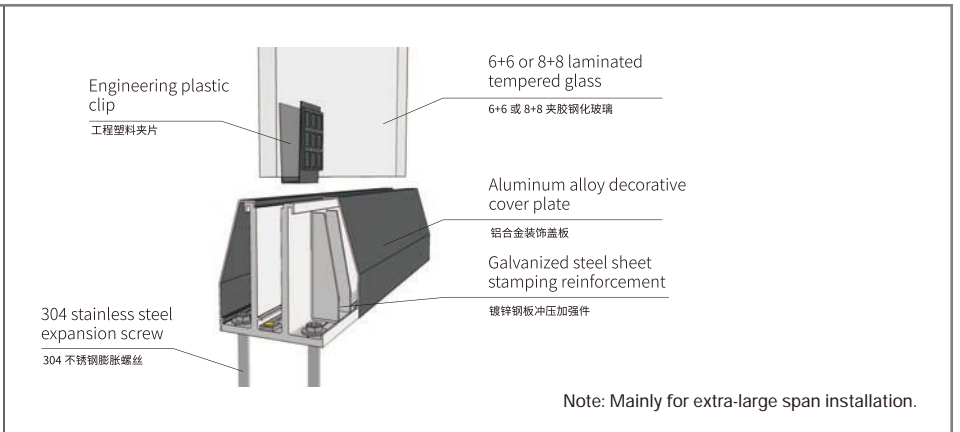
**90 double cover plate bottom groove**  
90 双盖板底槽



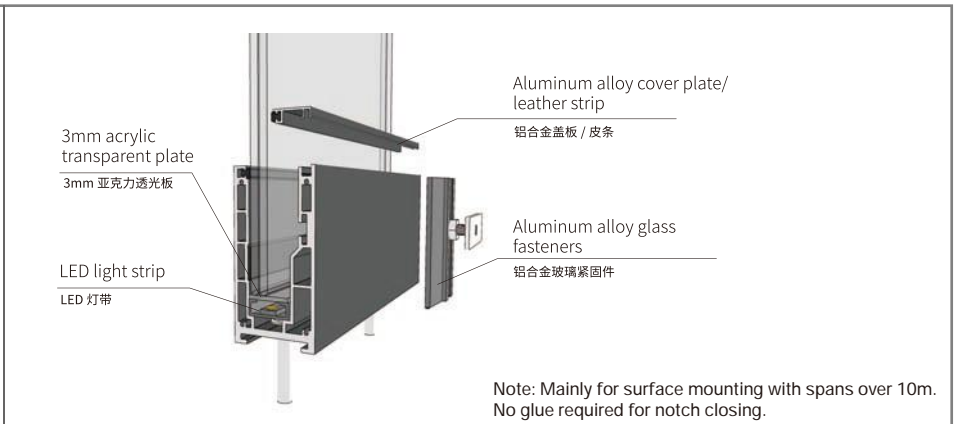
**110 open bottom groove**  
110 明装底槽

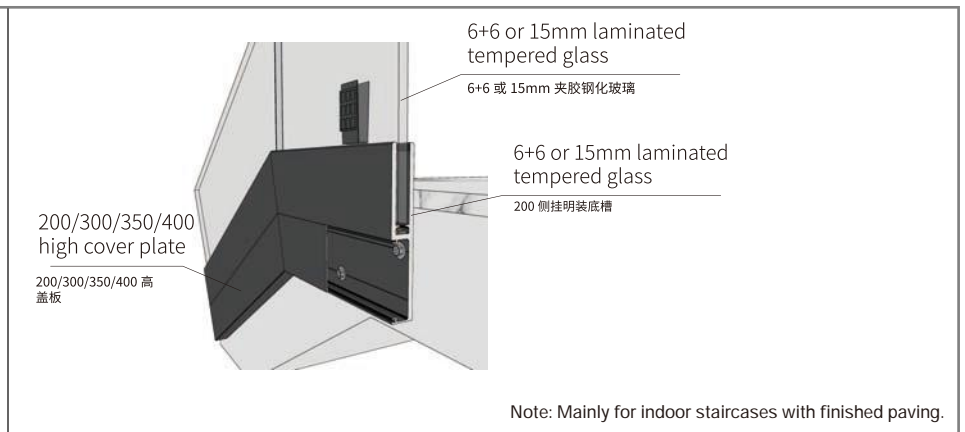
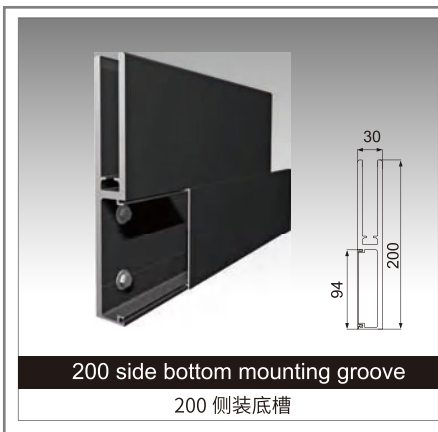
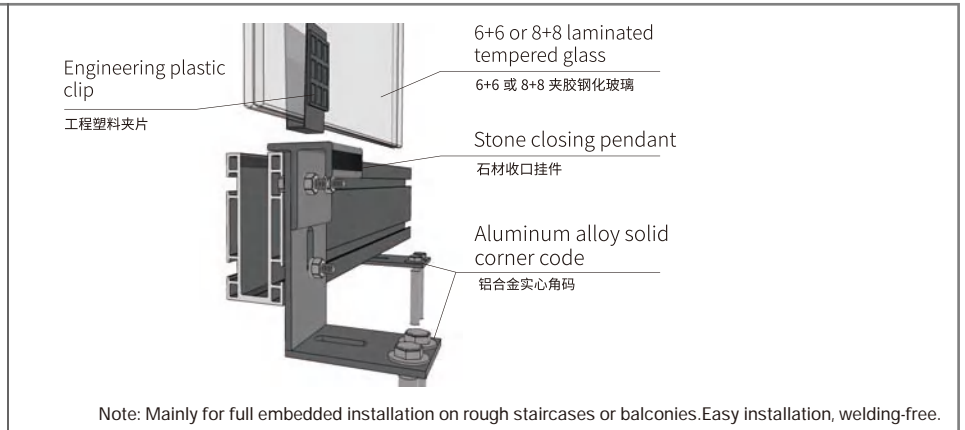
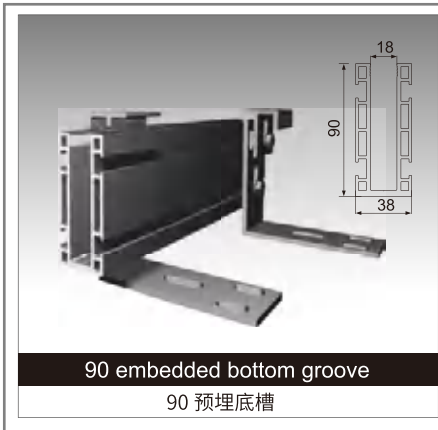
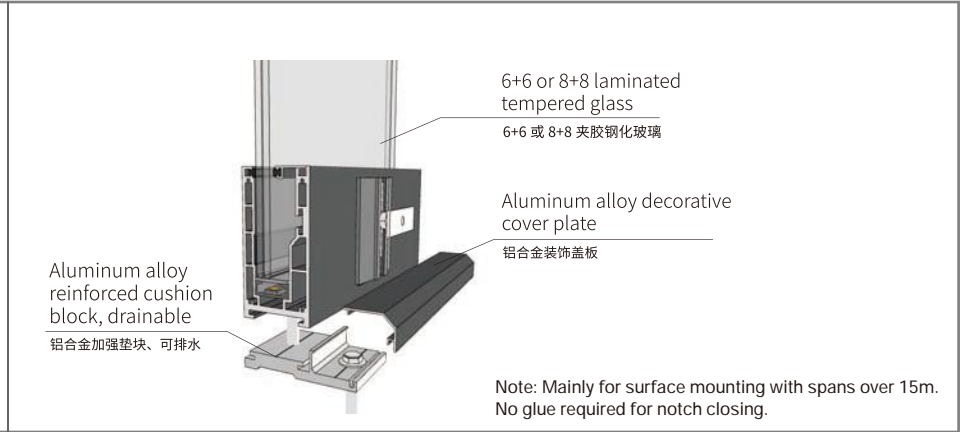


**110 diagonal bottom groove**  
110 斜装底槽



**120 surface mounted bottom groove**  
120 明装底槽

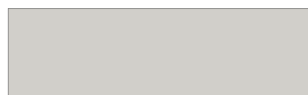




color sample / 色板色样



Skin black  
肌肤黑



Skin white  
肌肤白



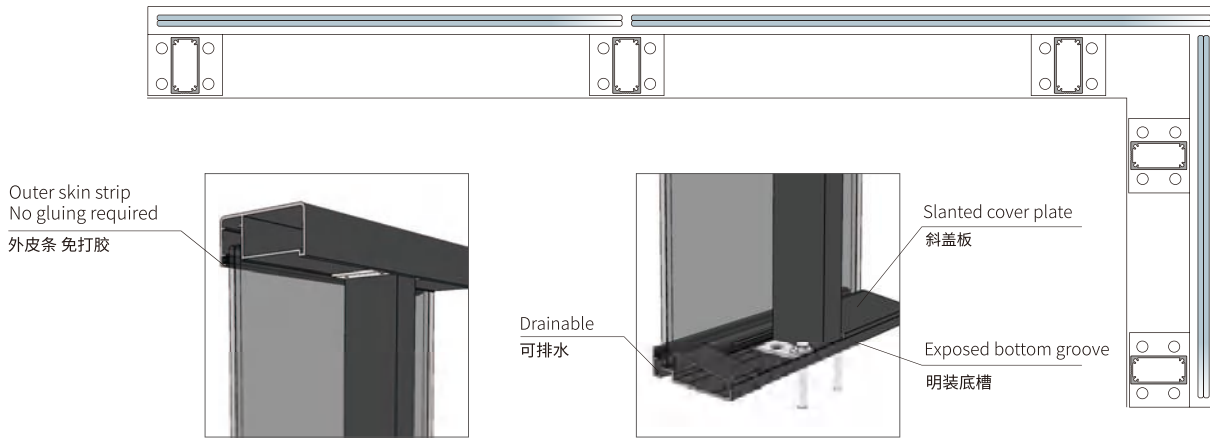
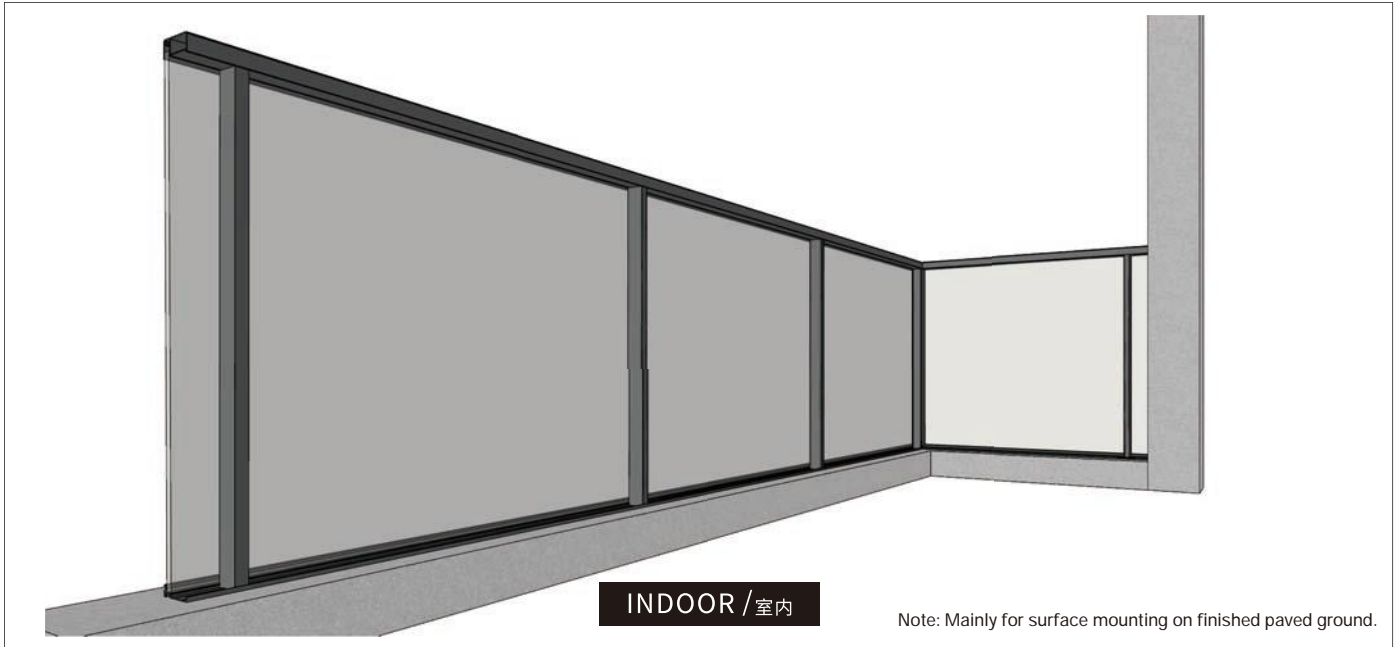
Sand grey  
砂灰



Sand coffee color  
砂咖啡

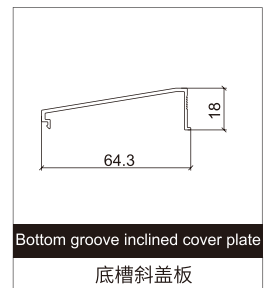
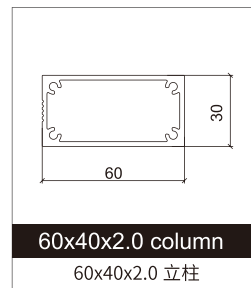
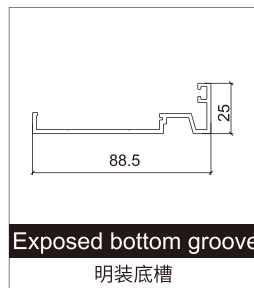
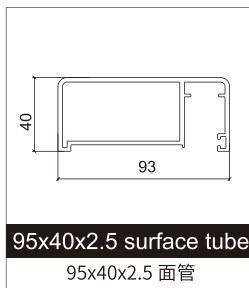
- 1. the installation is fast, convenient, safe and reliable, with rich and exquisite colors
- 2. weather resistance, oxidation resistance, fashion, beauty and fervent

- 1. 安装快捷、方便，安全可靠，颜色丰富细腻
- 2. 耐候抗氧化，时尚、美观、大气

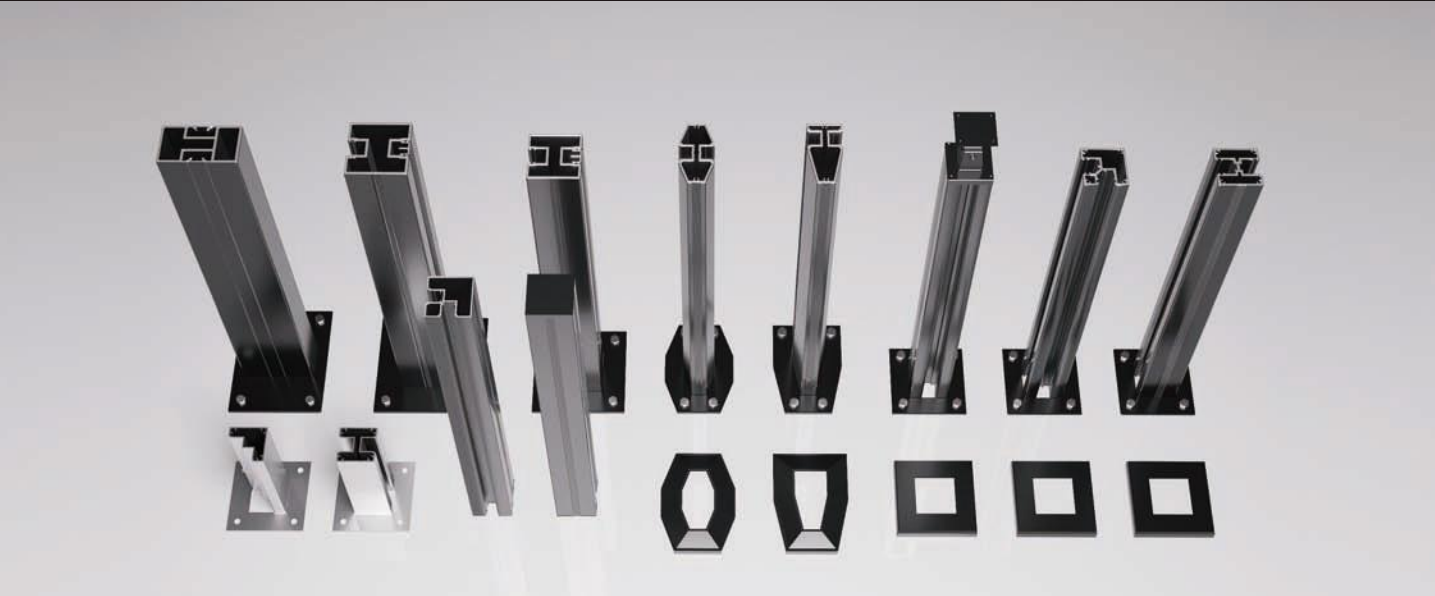


Profile diagram

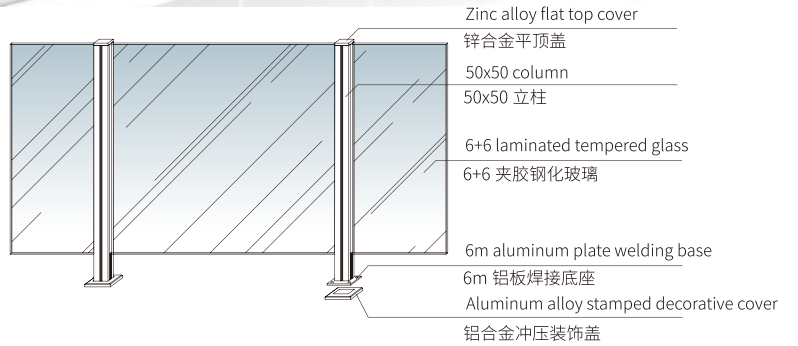
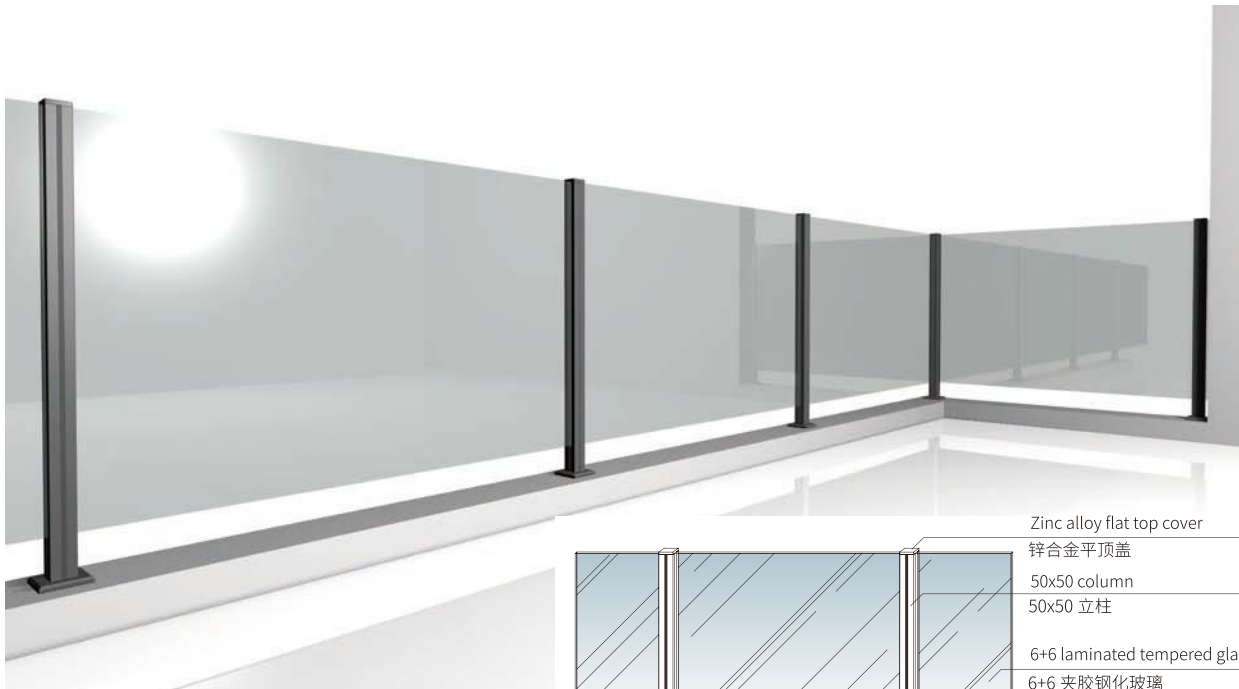
型材简图



PILLAR GLASS  
GUARDRAIL 立柱玻璃护栏

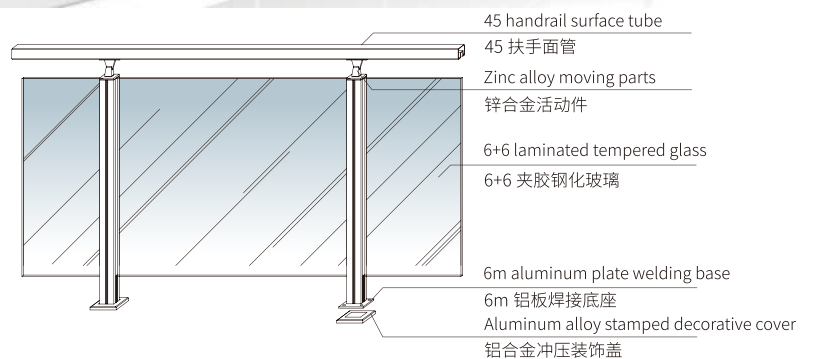
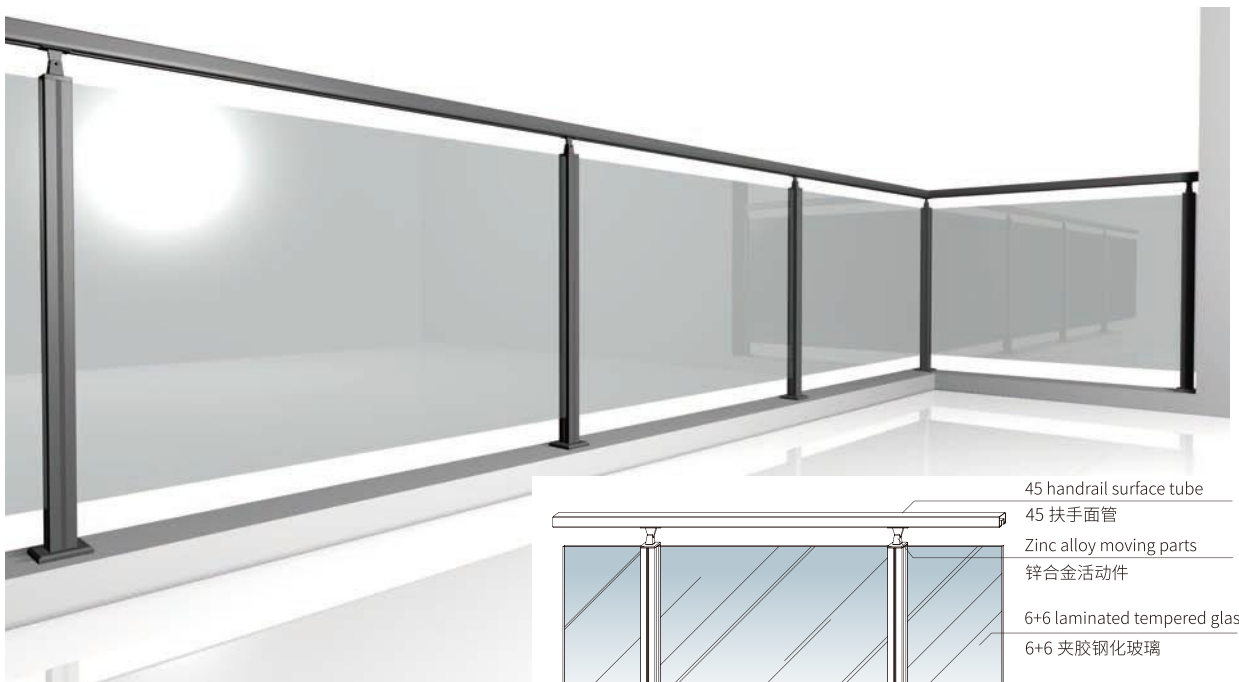


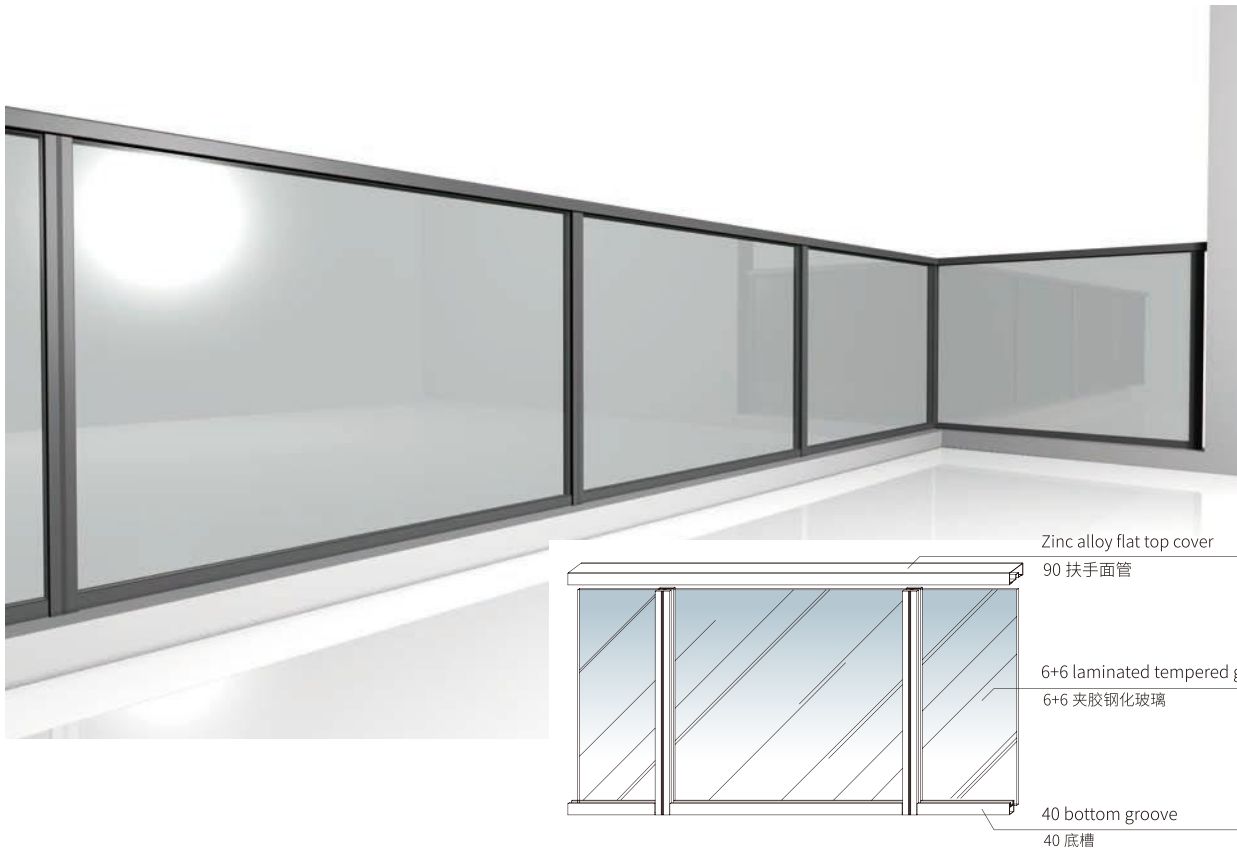
50 COLUMN GLASS GUARDRAIL  
WITHOUT SURFACE TUBE 50 立柱无面管玻璃护栏



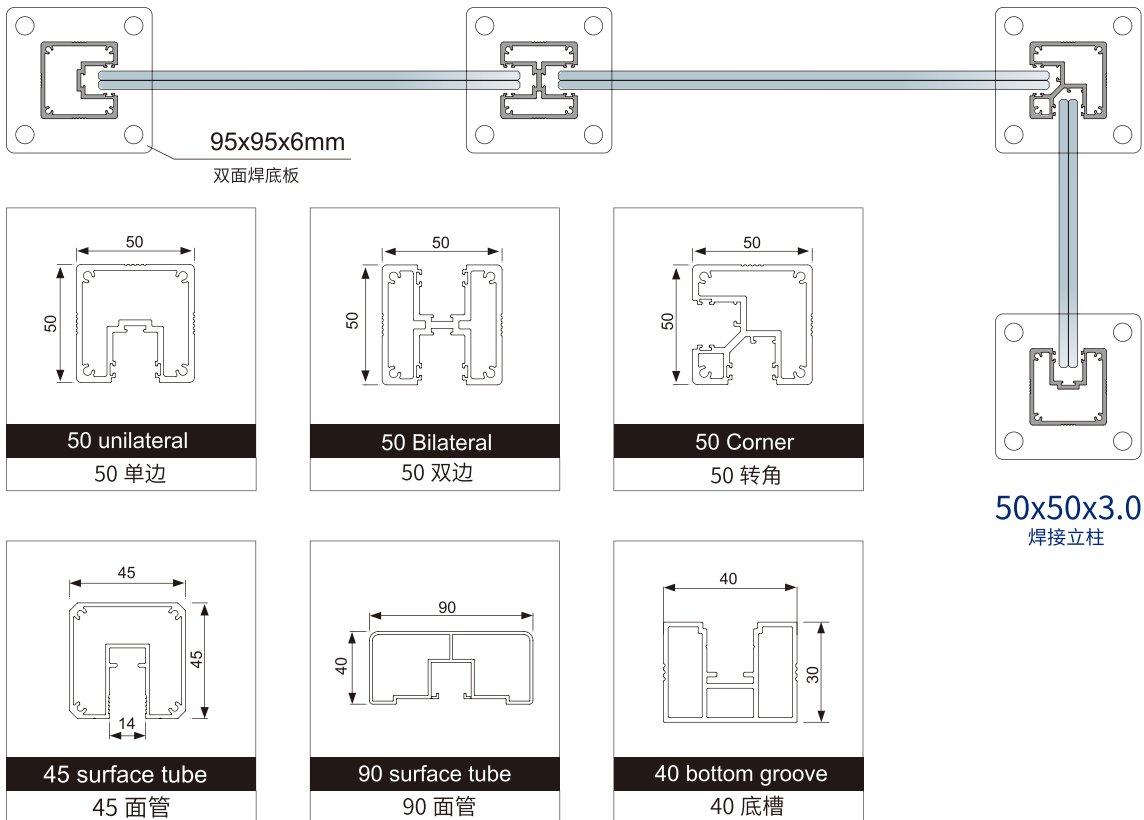
50 COLUMN WITH MOVABLE PARTS  
(45 HANDRAIL SURFACE TUBE)

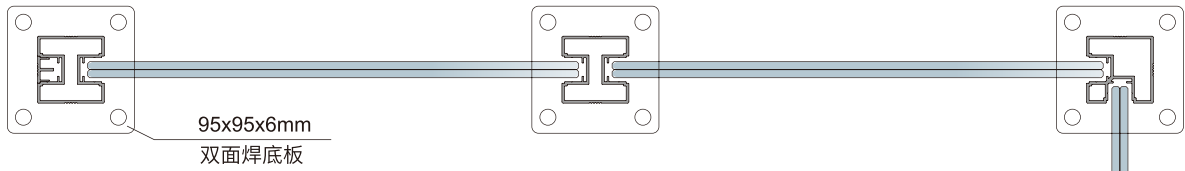
50 立柱带活动件 (45 扶手面管)



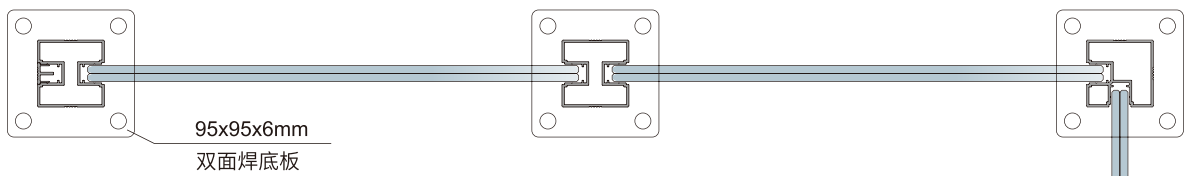


Profile diagram 型材简图

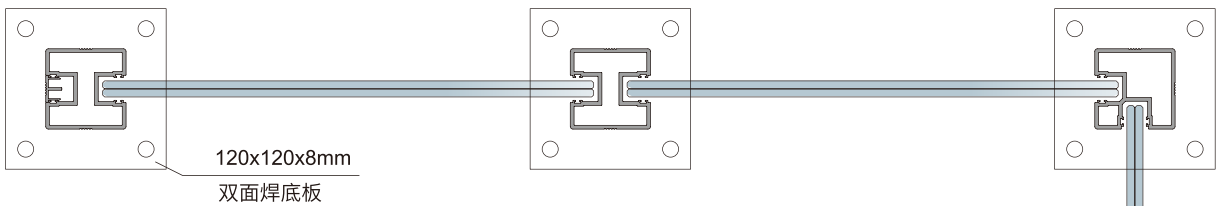




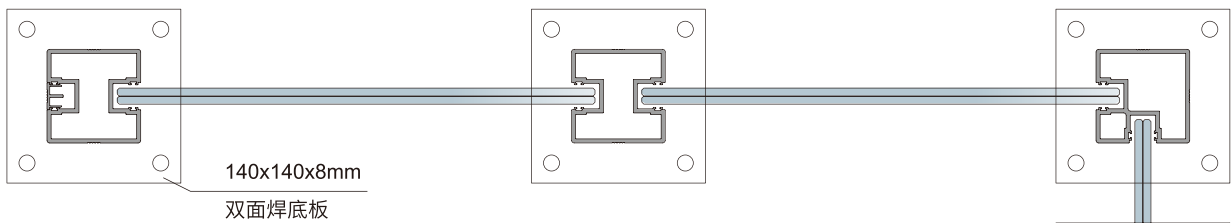
50x50x2.0(18槽) 焊接立柱



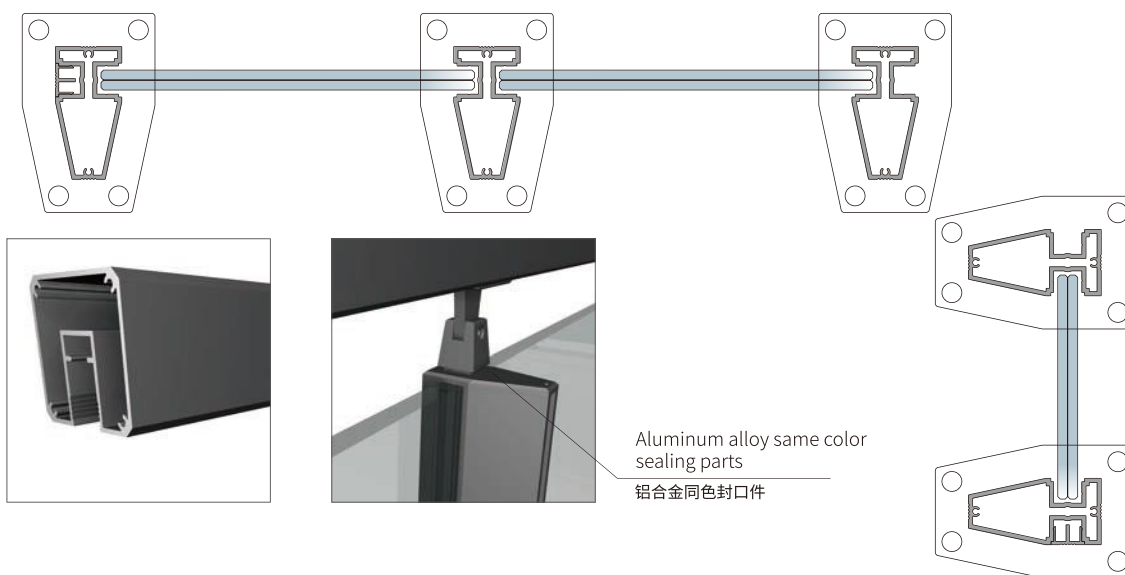
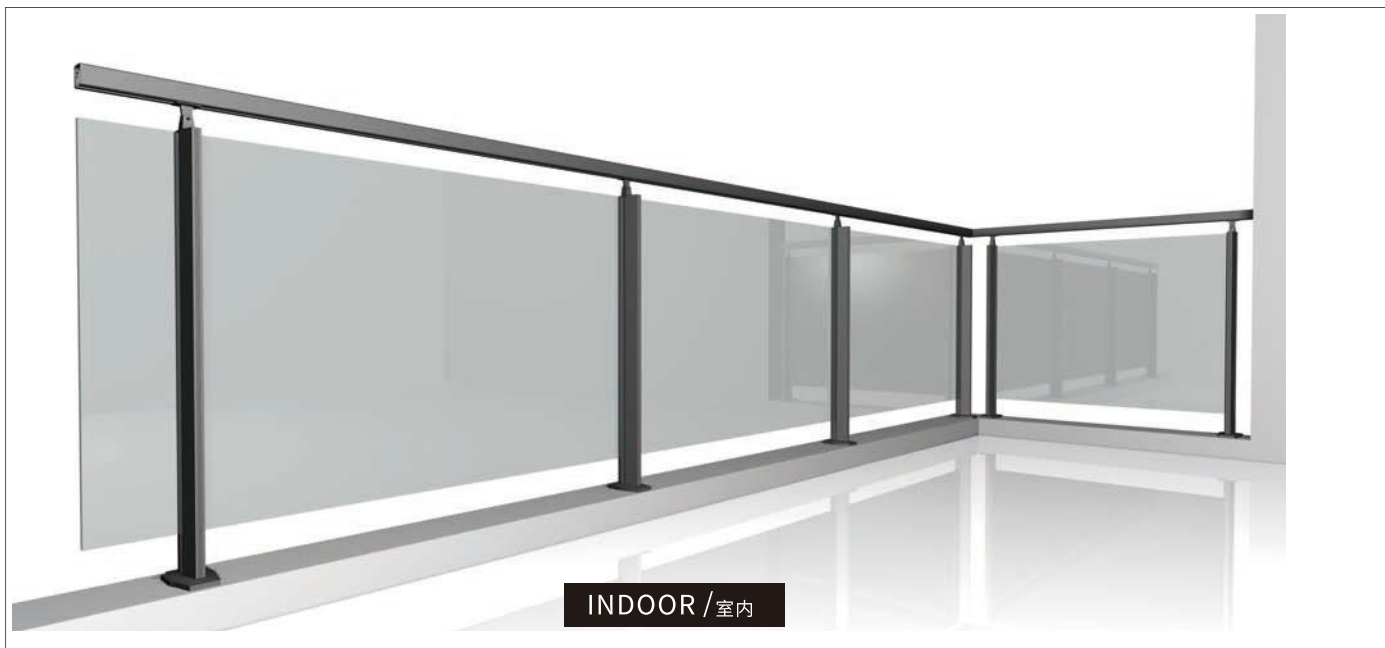
50x50x2.0(14槽) 焊接立柱



60x60x3.0 焊接立柱

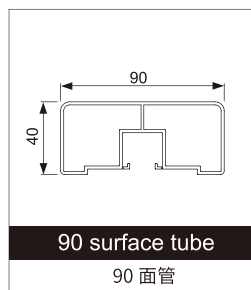
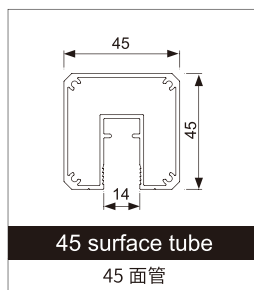
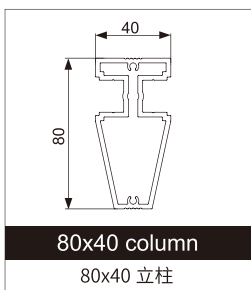


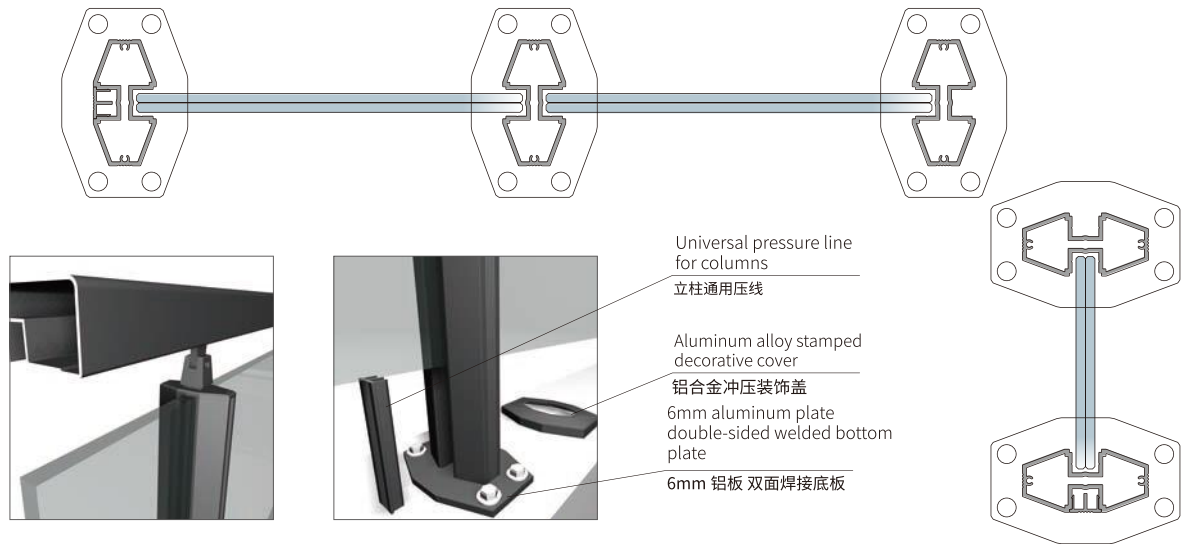
70x70x3.0 焊接立柱



Profile diagram

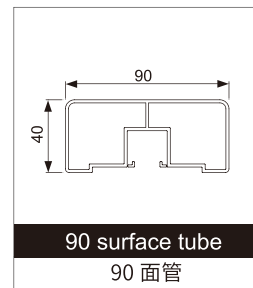
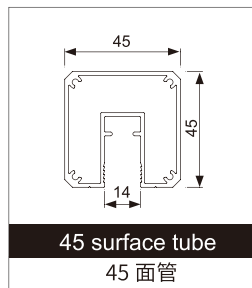
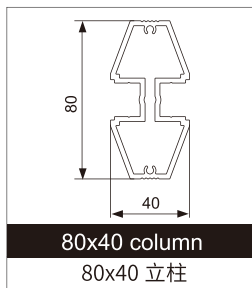
型材简图





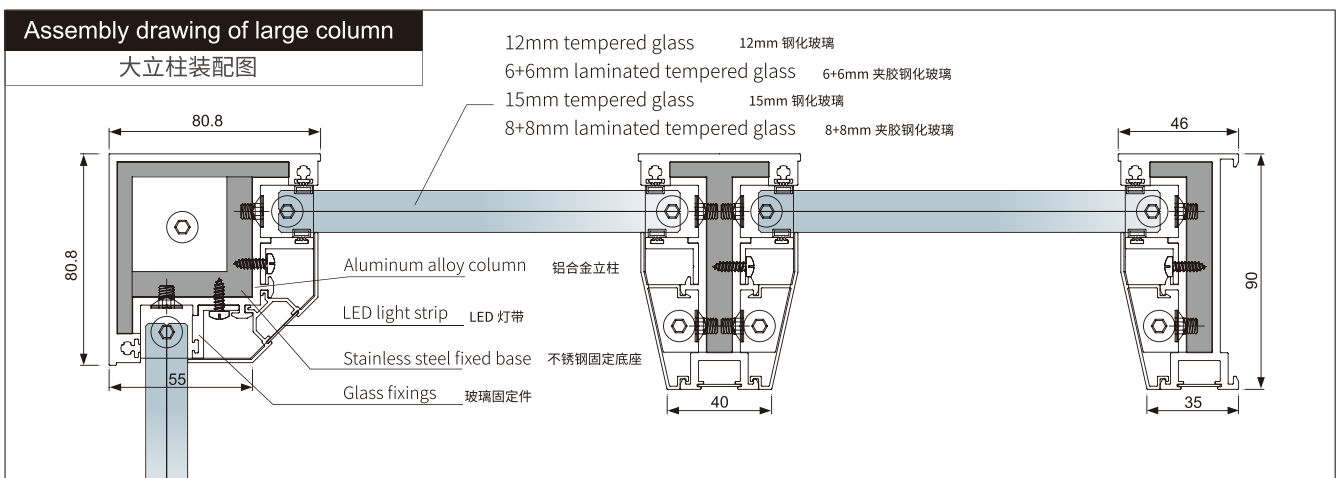
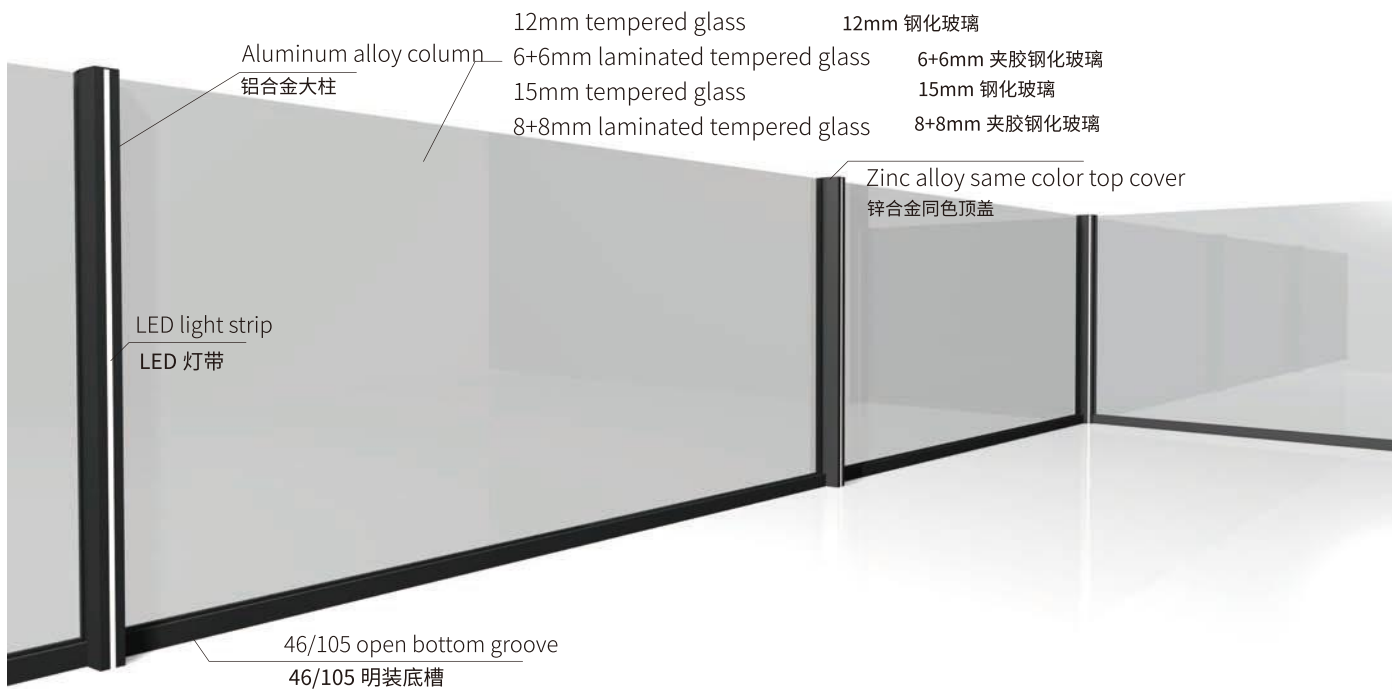
Profile diagram

型材简图



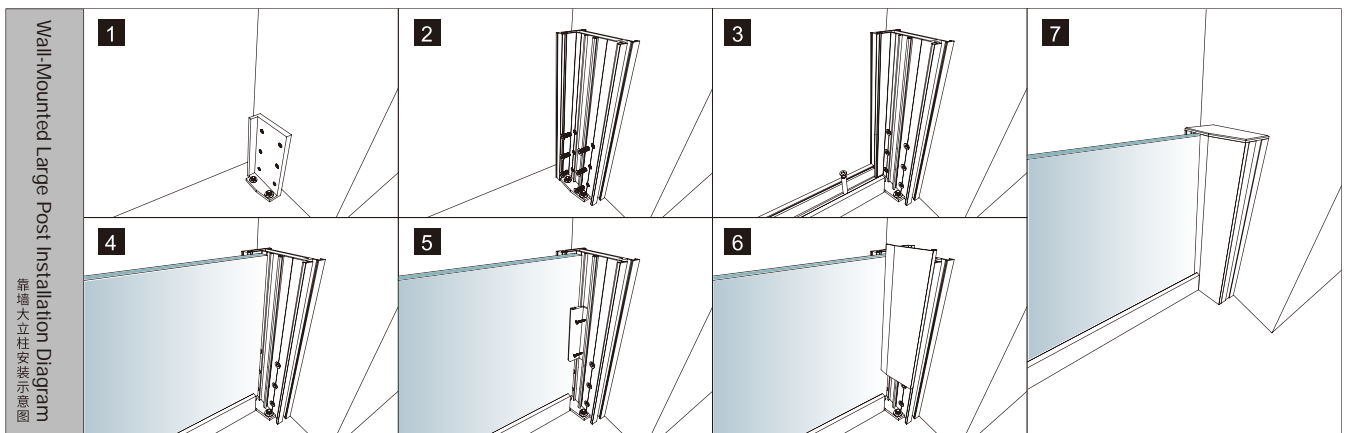
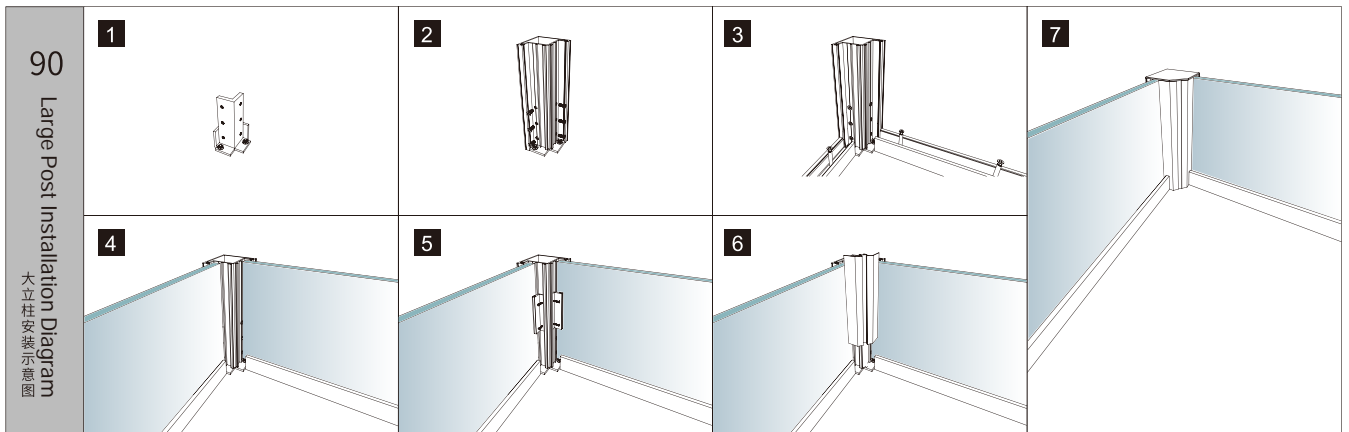
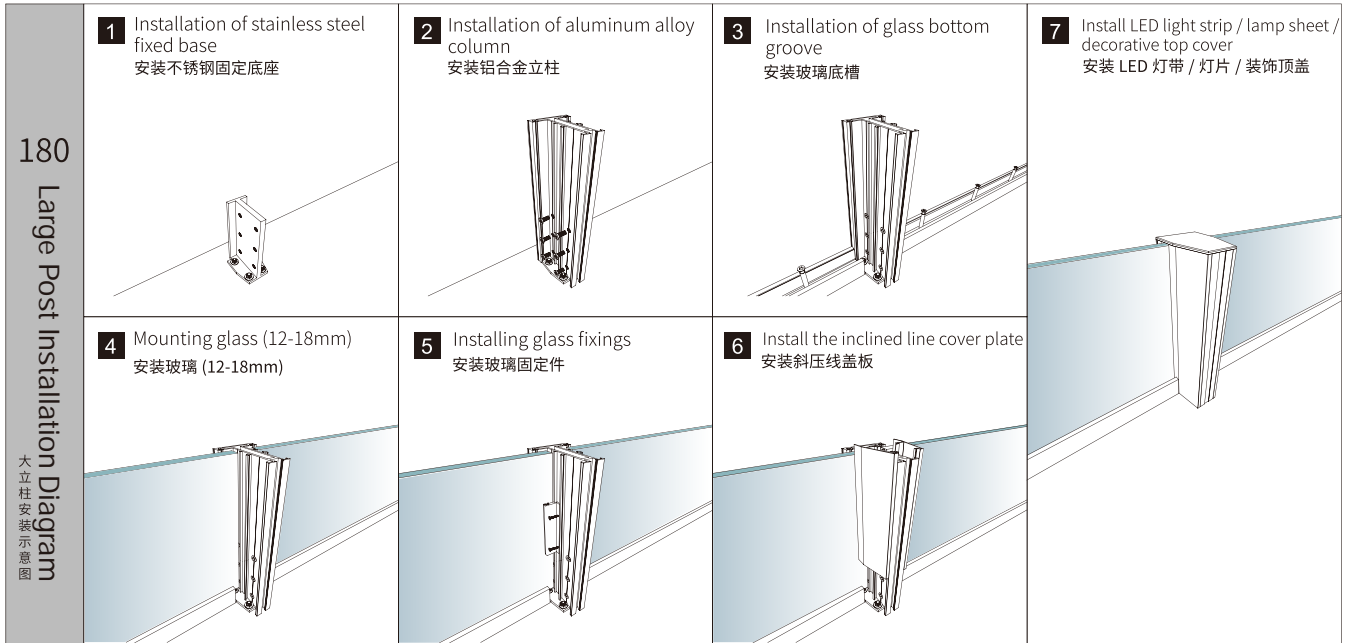
# FLOOR TYPE LARGE COLUMN GLASS GUARDRAIL FOREIGN TRADE STYLES

落地款大立柱玻璃护栏 (外贸款)



# INSTALLATION DIAGRAM OF LARGE COLUMN

大立柱安装示意图

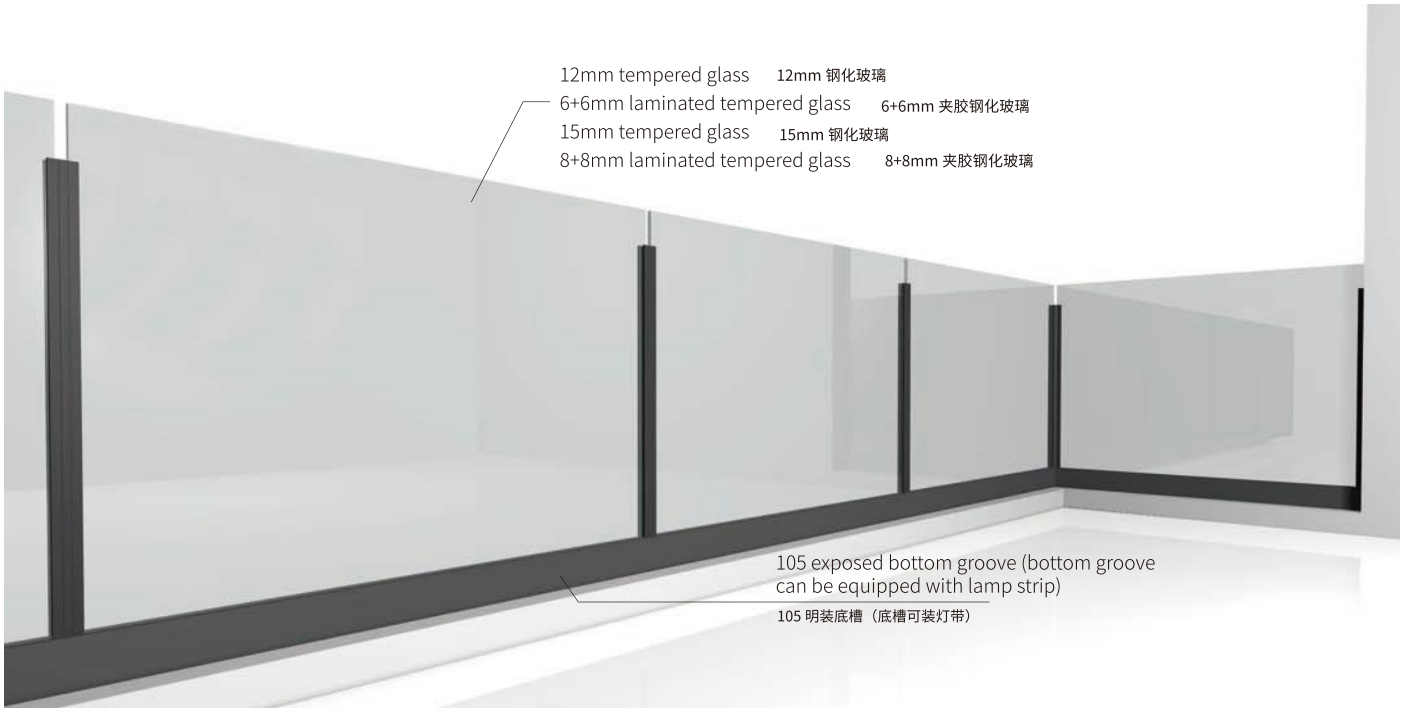


## ILLUSTRATION

- 1. stainless steel fixed base, combined with aluminum alloy column, is safe, beautiful and fervent.
- 2. multi thickness glass is applicable, and large-span glass can be installed, making the vision more transparent.
- 3. the column is equipped with light belt, which is fashionable, simple and luxurious.

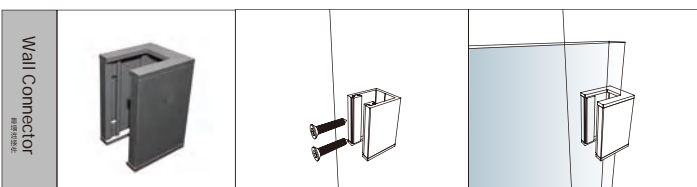
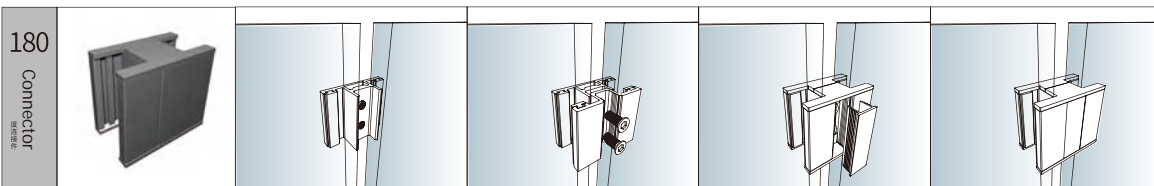
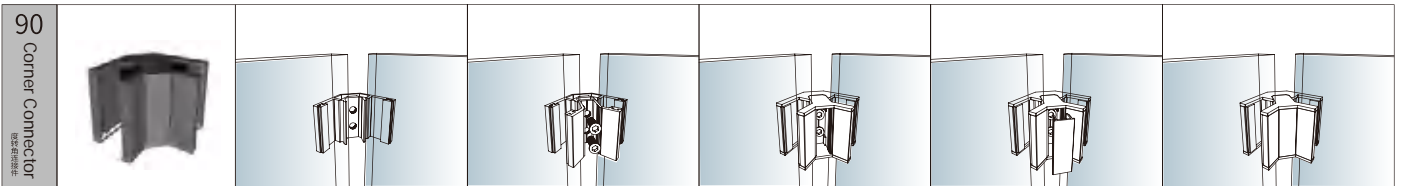
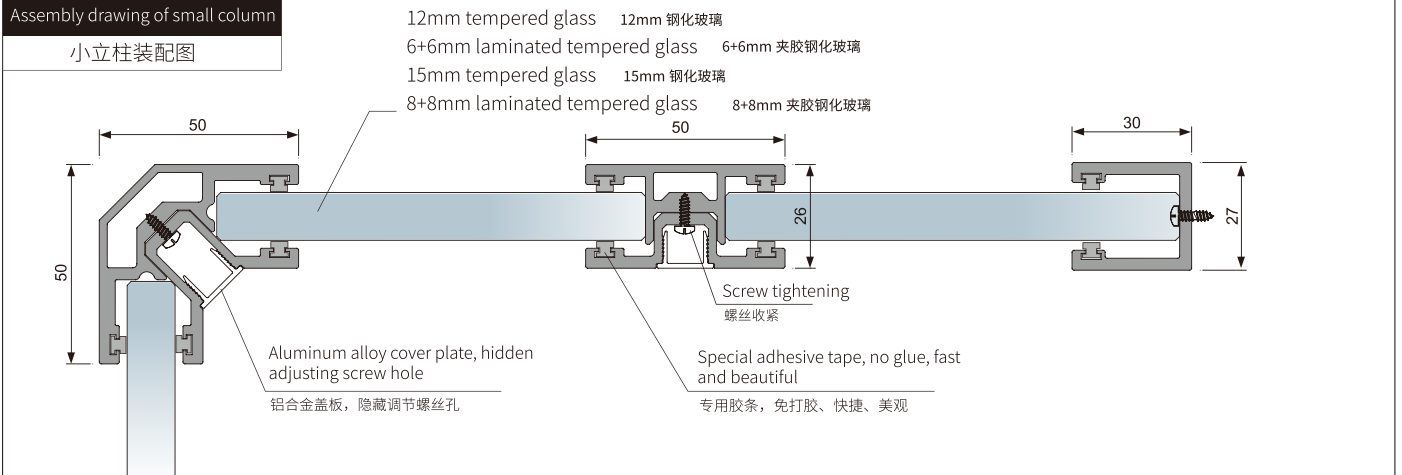
## 说明

1. 不锈钢固定座，结合铝合金立柱，安全、美观、大气。
2. 多厚度玻璃适应，可安装大跨度玻璃，视觉更通透。
3. 立柱带灯带，时尚、极简轻奢。



Assembly drawing of small column

小立柱装配图





### ILLUSTRATION

- 1. easy and fast installation, uniform color and hidden screw position
- 2. it can be clamped with 12-18mm glass, with fashionable and fervent

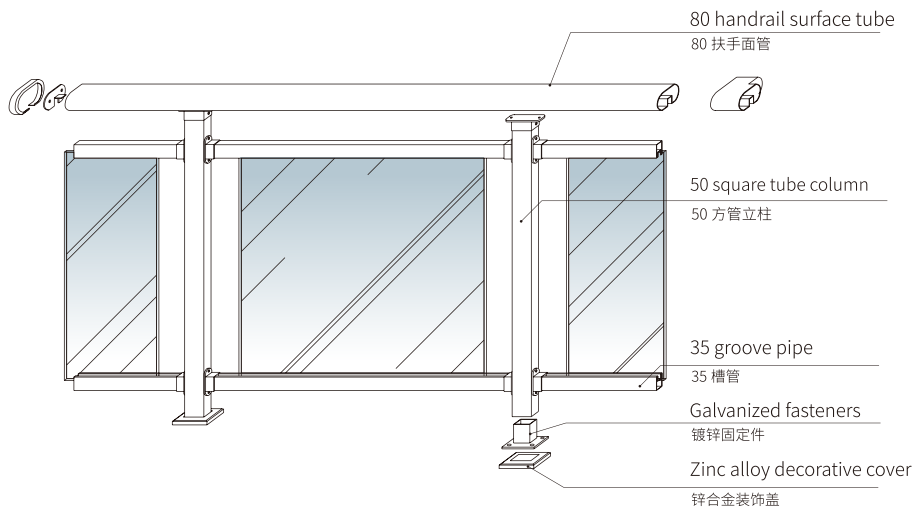
### 说明

1. 安装方便、快捷、颜色统一、隐藏螺丝位
2. 可以夹 12-18mm 玻璃，外观时尚大气

# COMMERCIAL & CUSTOMIZED SOLUTIONS

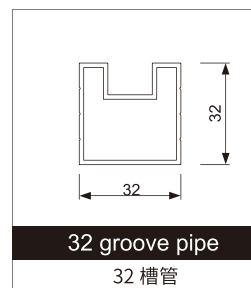
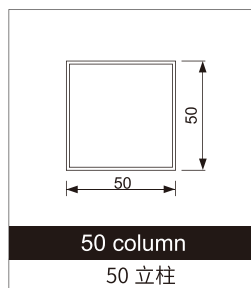
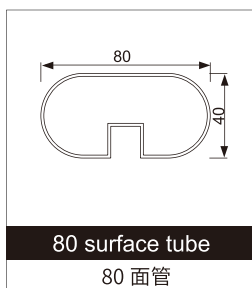
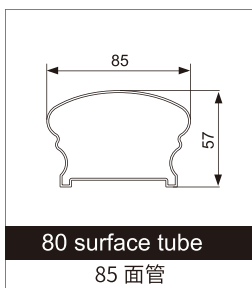
---

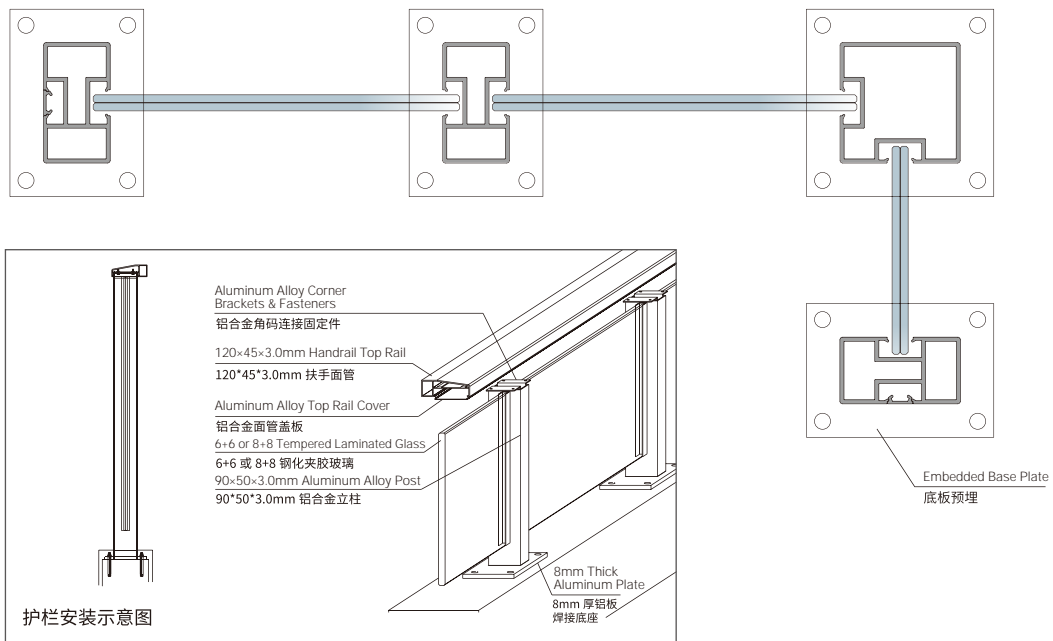




Profile diagram

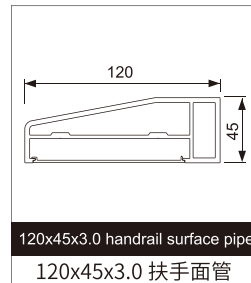
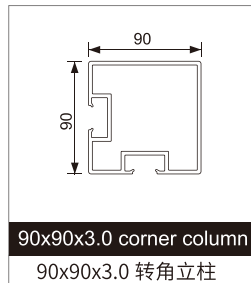
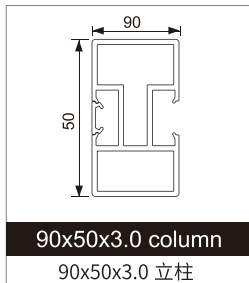
型材简图

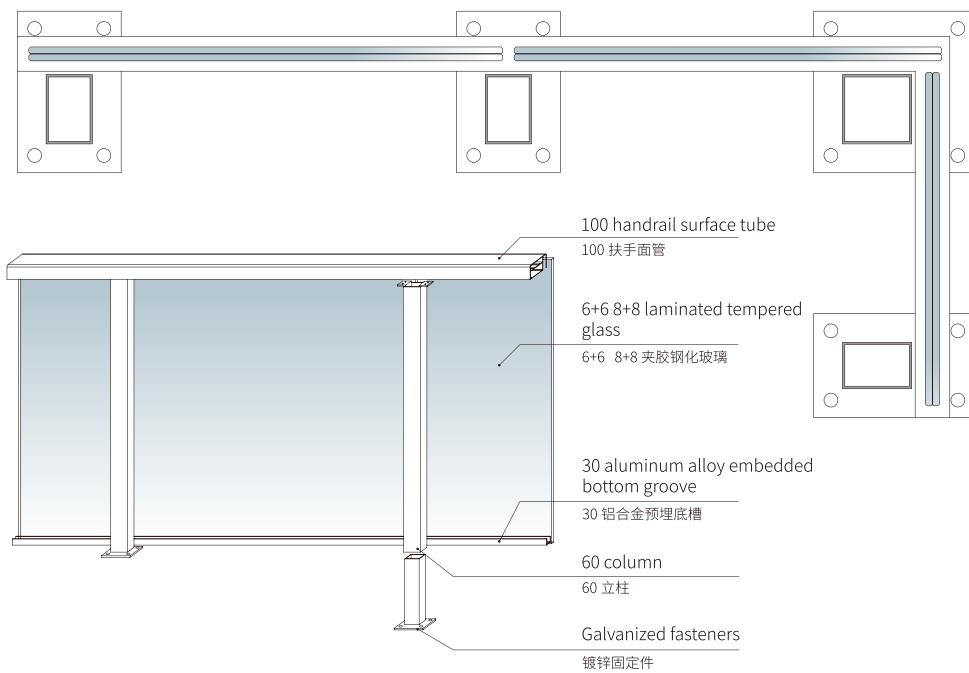




Profile diagram

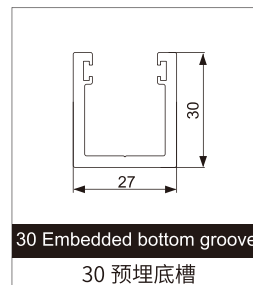
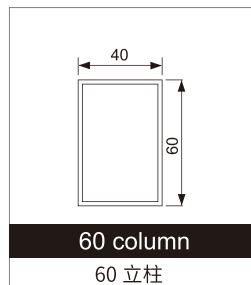
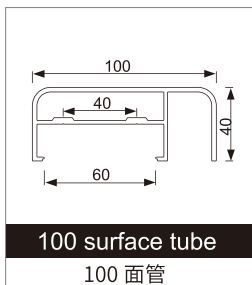
型材简图

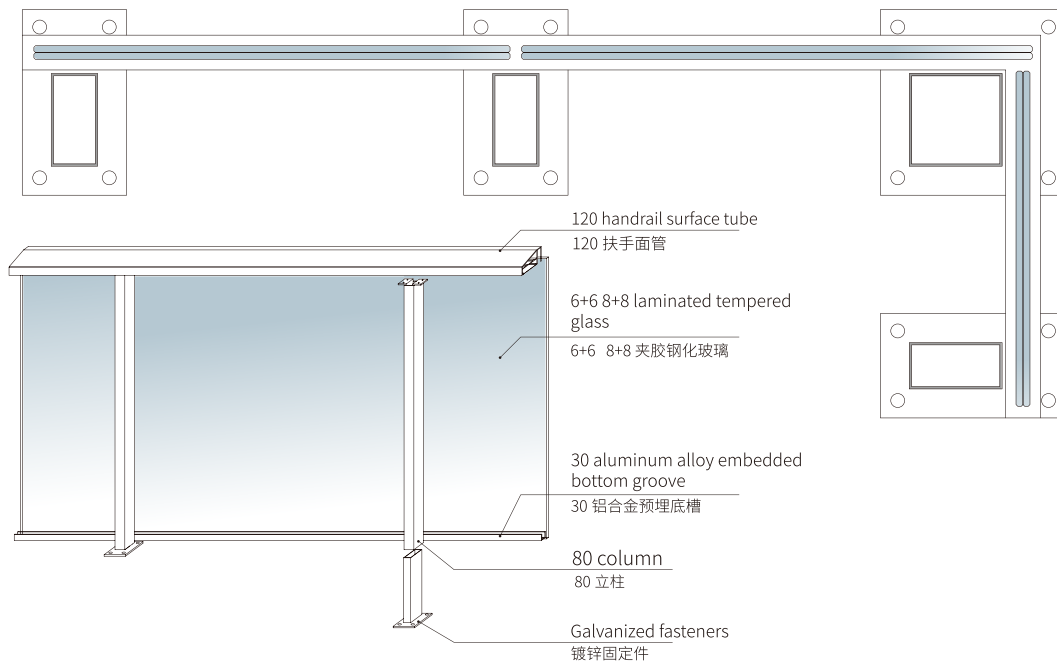




Profile diagram

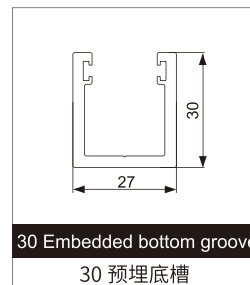
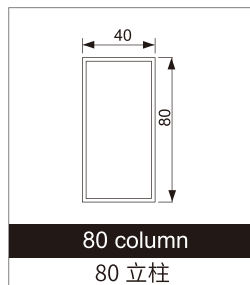
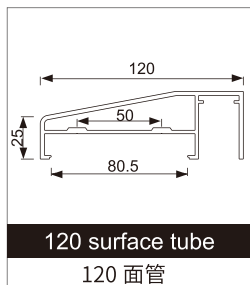
型材简图

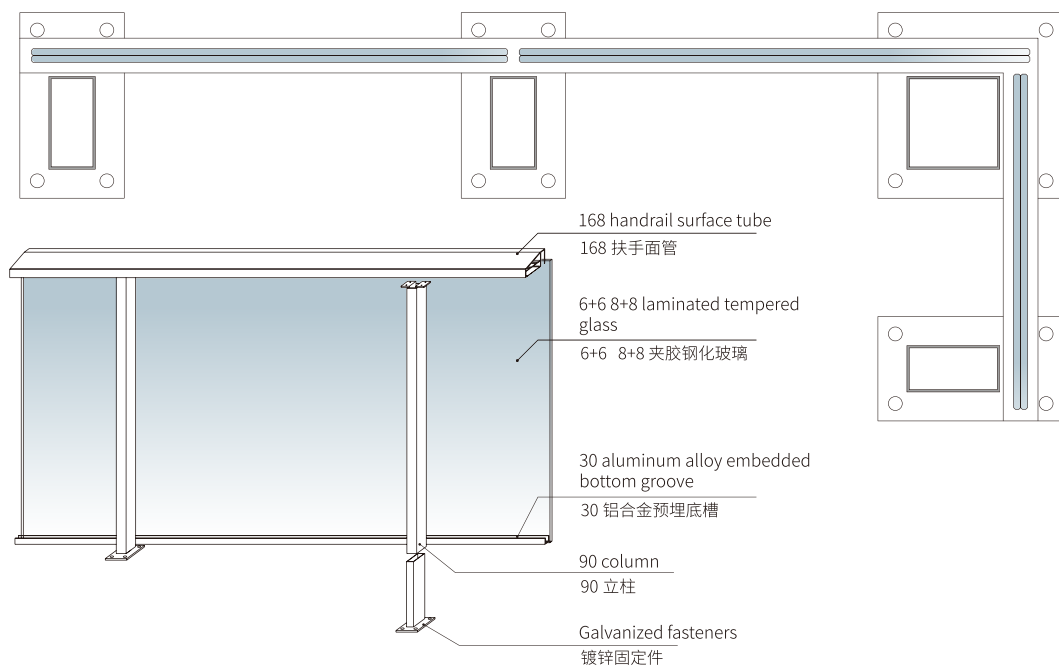
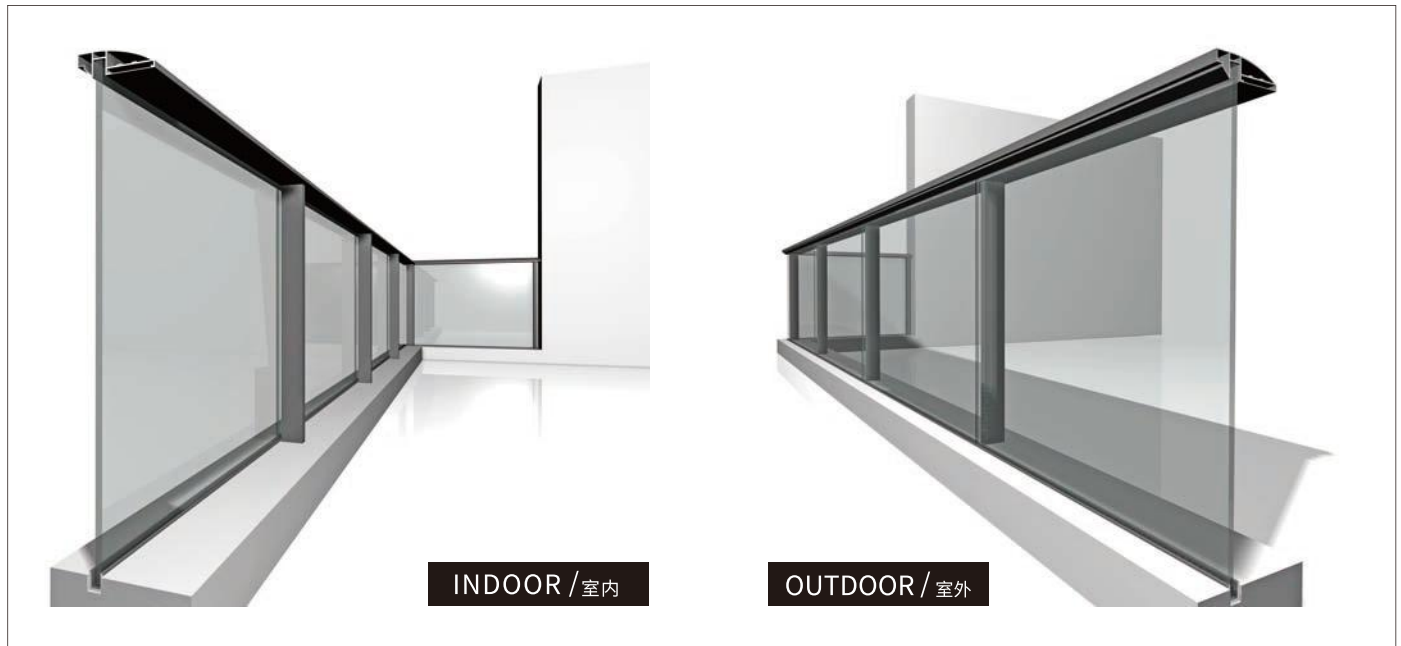




Profile diagram

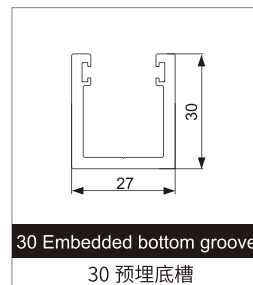
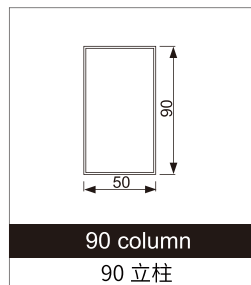
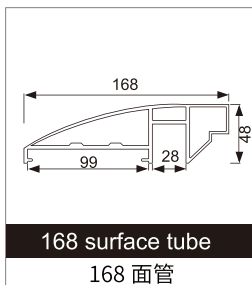
型材简图

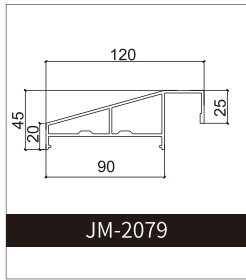




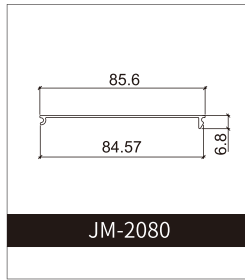
Profile diagram

型材简图

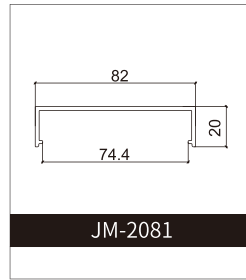




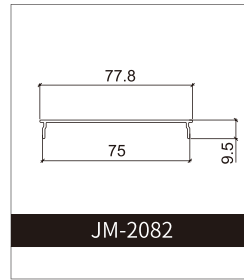
JM-2079



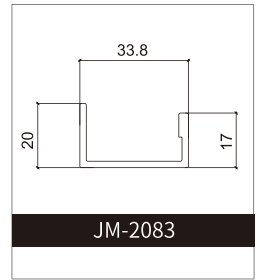
JM-2080



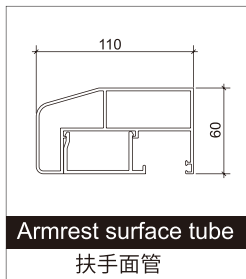
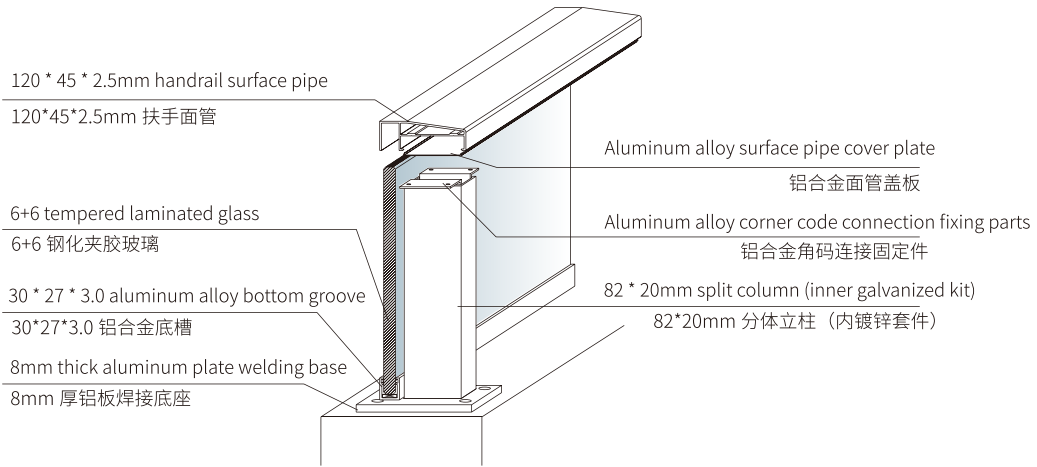
JM-2081



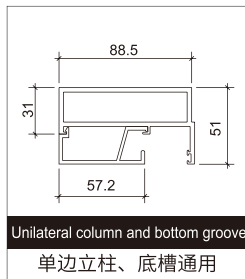
JM-2082



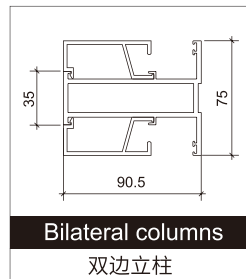
JM-2083



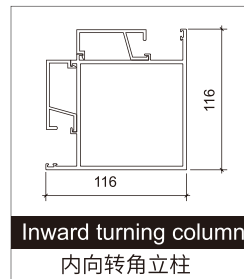
Armrest surface tube  
扶手面管



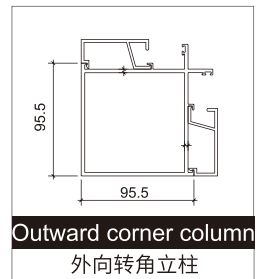
Unilateral column and bottom groove  
单边立柱、底槽通用



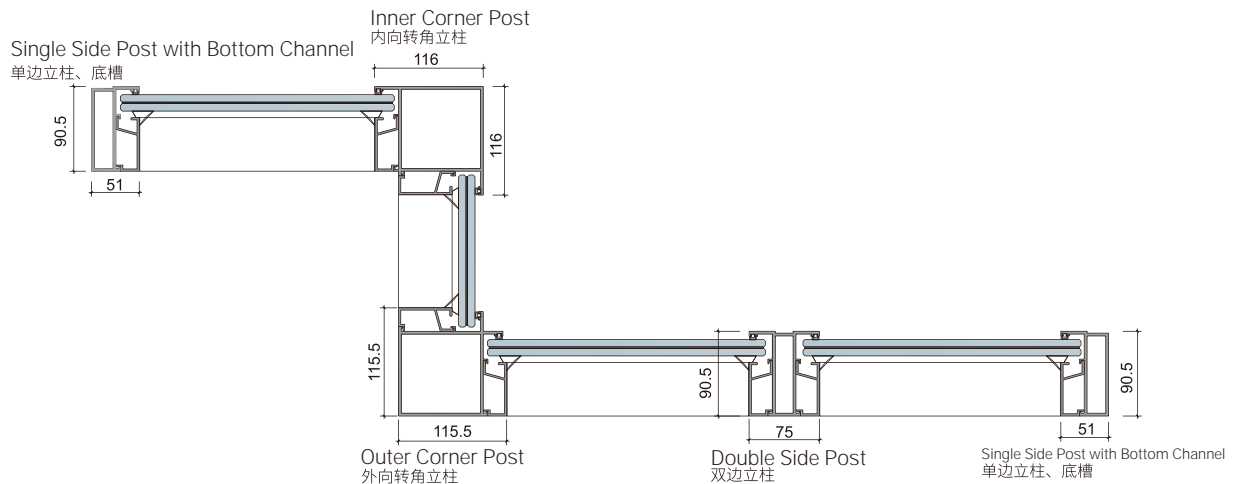
Bilateral columns  
双边立柱



Inward turning column  
内向转角立柱



Outward corner column  
外向转角立柱



# APPLICATION SCENARIOS

Versatile Solutions for Different Architectural Applications

## Balcony Systems

Ideal for residential balconies and terraces, offering safety, unobstructed views, and a modern aesthetic.

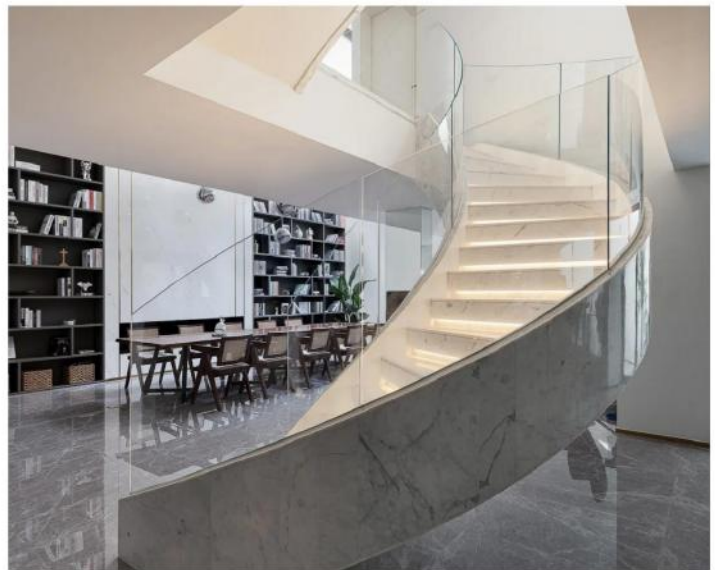
- ▶ Clear Glass View
- ▶ Safe & Stable Structure
- ▶ Weather-Resistant Design



## Staircase Systems

Designed for indoor and outdoor staircases, combining safety with a clean and contemporary appearance.

- ▶ Strong Support
- ▶ Easy Installation
- ▶ Elegant Design



## Commercial Projects

Suitable for commercial buildings, hotels, and public spaces with high requirements for durability and design.

- ▶ High Load Capacity
- ▶ Long-Term Durability
- ▶ Professional System Design

## PROJECT CASES

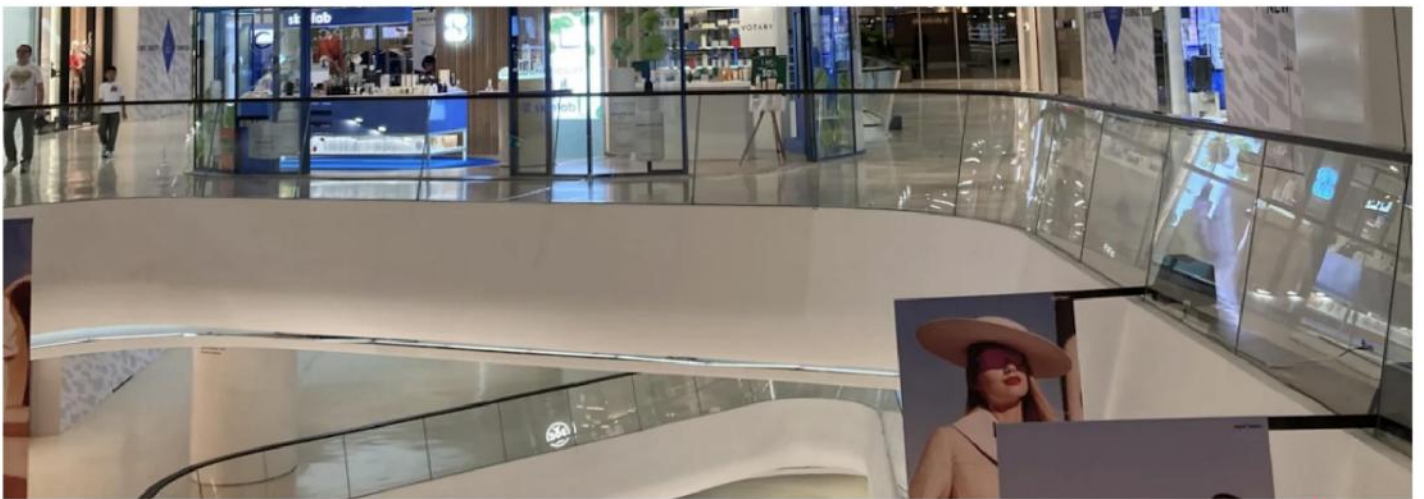
Proven Projects Across Different Markets



### Residential Project – Europe



Modern glass railing system installed for a private villa, enhancing both safety and architectural aesthetics.



### Commercial Project – Middle East



Large-scale railing system for a commercial building, designed for durability and long-term outdoor performance.



### Apartment Project – Southeast Asia



Balcony railing solution for residential apartments with a focus on cost efficiency and clean design.

# OEM & CUSTOM SOLUTIONS

Flexible Solutions to Meet Different Market and Project Needs



## Customized Profiles

We support customized aluminum profile design based on drawings, samples, or project requirements.

- ▶ Custom Dimensions
- ▶ Multiple Surface Finishes
- ▶ Flexible Production

## Project Engineering Support

Our team provides technical support for project-based solutions, including drawings and system recommendations.

- ▶ Technical Drawings
- ▶ Installation Guidance
- ▶ System Optimization



## Flexible Design Options

Different colors, finishes, and configurations are available to match various market preferences.

- ▶ Powder coating
- ▶ Anodizing
- ▶ Wood grain finish

From standard products to fully customized solutions, we help you complete your projects efficiently and professionally.

Get a complete aluminum railing system solution with professional support, fast delivery, and reliable quality.



From standard products to customized solutions, we are ready to support your project.