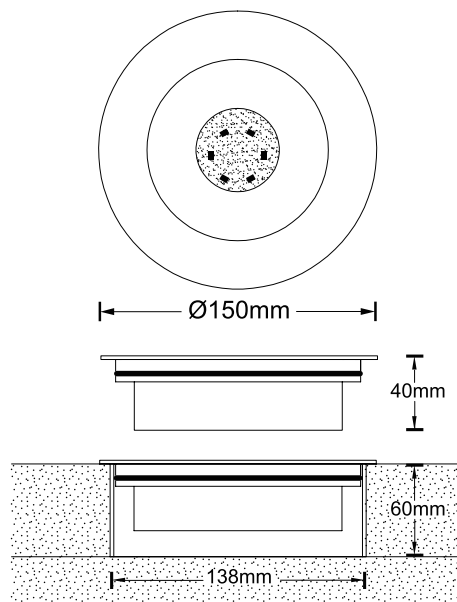


Dimension



CE RoHS COMPLIANT IP67 IK07

Solar Power

With Battery

SSS 316

Passivated

3 Years Warranty

Parameter

General Data

Item No.	UL-601-0100B (SOLAR)
Power	1 Watt
LED type	8 PCS 2835 SMD LED
Luminous flux	60~70 lm
CCT	2700K, 3000K, 4000K, 6000K
CRI	80+
Beam angle	120°
Dimension	Ø150x38 (mm) Diameter x length
Cut out	138 mm
Net weight	1.36 kgs
Warranty	3 years
Certifications	CE, RoHS

Electrical Data

Charging Mode	Solar Energy. Round solar pannel with 4V/110mA output and size external diameter 100mm, and internal diameter 40mm
Battery	Battery Charging and Discharging Times 2000 at max. 3.7V/2200mah lithium battery. size 18*65mm
Charging Time	≥10h
Discharge Time	≥9h

Construction Data

IP rating	IP67 Waterproof
IK rating	IK07
Housing	Aluminum CNC machined
Protection finishing	double painted housing. Dark grey
Trim	Stainless steel 316
Glass	Step tempered Glass. T=6mm.
Loading capacity	2000 kgs
Cable Gland	/
Gasket	O-ring PMQ silicone seal
Accessories	
Mounting sleeve	Anti-corrosion PVC
Packaging	
Inner box size	155*155*60 mm
Carton size	33.5*33.5*32.5 cm (20PCS / carton)

Illumination Picture@20°

