

# 3-Port Solenoid Valve

## VQ100 Series

### How to Order Valves

VQ1 1 0 [ ] - 5 F [ ] - [ ] - [ ] - [ ]

VQ series  
Compact 3-port valve

Actuation

1	Normally closed
2*1	Normally open

\*1 Normally open is only selectable for the standard type (1 W).

Functions\*3

Nil	Standard type (1 W)
H	High-pressure type (1.5 W)
Y	Low wattage type (0.5 W)
L*2	Latching type*4 Positive common
N*2	Latching type*4 Negative common
U*2	Large flow capacity type



\*2 Semi-standard (It has both + and - polarity.)

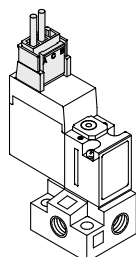
\*3 Only one function can be selected. If the valve is to be energized continuously for extended periods of time, select "Y" (low-wattage type). For details, refer to "Extended periods of continuous energization" in the "Selection" section of the Best Pneumatics No. 1 catalog.

\*4 For details on the latching type, refer to the latching type in the "Specific Product Precautions" on page 15.

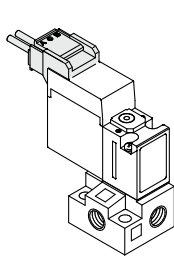
Coil rated voltage

		CE/UKCA-compliant
1	100 VAC (50/60 Hz)	●
2	200 VAC (50/60 Hz)	—
3	110 VAC (50/60 Hz)	●
4	220 VAC (50/60 Hz)	—
5	24 VDC	●
6	12 VDC	●

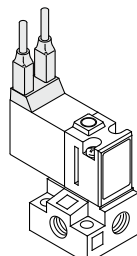
For other rated voltages, please consult with SMC.



L plug connector



M plug connector



Grommet

● CE/UKCA-compliant

Nil	—
Q	CE/UKCA-compliant

\* The 100 VAC, 110 VAC, 24 VDC, and 12 VDC are the only CE/UKCA-compliant products.

● Made to Order

Symbol	Specifications
Nil	Standard
X21	Power saving type (1.5 W)
X42	Fluid-contact part: Oil-free
X113	Fluororubber

● Port size

Nil	Without sub-plate
M3	With sub-plate
M5	With sub-plate

● Manual override

Nil	Non-locking push type (Tool required)
	Latching type: Push-locking type (Tool required)
B*5	Locking type (Tool required)



\*5 Semi-standard

\* Latching manual override: Push-locking type only.

● Electrical entry

F	Plug-in With light/surge voltage suppressor (only for plug-in manifold)	
L	L plug connector, With lead wire With light/surge voltage suppressor	
LO	L plug connector, Without connector With light/surge voltage suppressor	
M	M plug connector, With lead wire With light/surge voltage suppressor	
MO	M plug connector, Without connector With light/surge voltage suppressor	
G	Grommet	



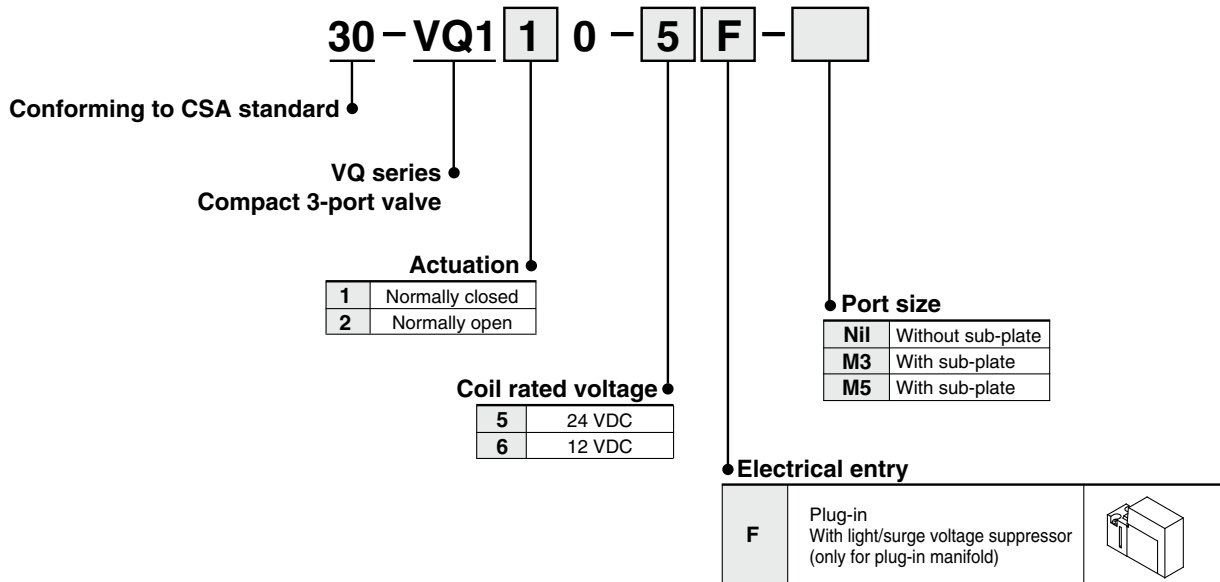
\* Grommet: No latching, AC and large flow capacity.

# 3-Port Solenoid Valve

# VQ100 Series



## How to Order Valves



**Function:** Standard (1 W)

**Manual override:** Non-locking push type (Tool required)

Latching type: Push-locking type (Tool required)

Refer to standard products for specifications and dimensions.