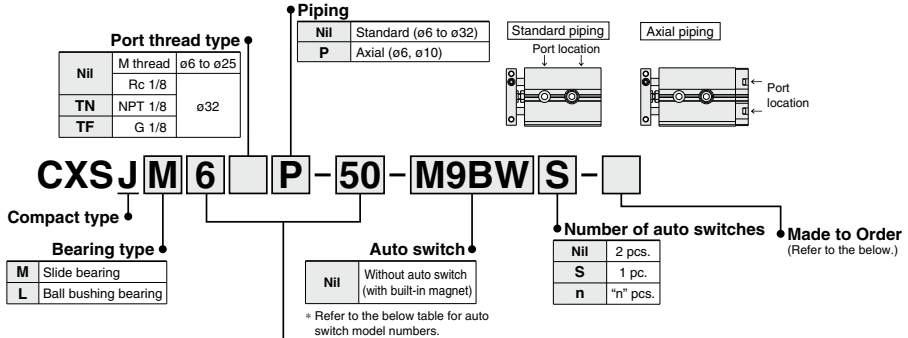


Dual Rod Cylinder/Compact Type

CXSJ Series

ø6, ø10, ø15, ø20, ø25, ø32

How to Order



Moisture Control Tube IDK Series

When operating an actuator with a small diameter and a short stroke at a high frequency, the dew condensation (water droplet) may occur inside the piping depending on the conditions. Simply connecting the moisture control tube to the actuator will prevent dew condensation from occurring. For details, refer to the [Web Catalog](#).

Bore size/Stroke (mm)

Bore size	Standard stroke
6	10, 20, 30, 40, 50
10	10, 20, 30, 40, 50, 75
15	
20	
25	10, 20, 30, 40, 50, 75, 100
32	

Made to Order

Made to Order
[Click here for details](#)

Symbol	Specifications
-XB6	Heat resistant cylinder (-10 to 150°C)
-XB13	Long stroke type
-XB13 (Note 1)	Low speed cylinder (5 to 50 mm/s)
-XC6 (Note 2)	Made of stainless steel
-XC19	Intermediate stroke (spacer)
-XC22	Fluoro rubber seals
-XC85	Grease for food processing equipment

Note 1) Except ø6, Axial type
Note 2) Slide bearing type (M) only

Applicable Auto Switches/Refer to pages 1289 to 1383 for detailed auto switch specifications.

Type	Special function	Electrical entry	Indicator light	Wiring (output)	Load voltage		Auto switch model		Lead wire length (m)*				Pre-wired connector	Applicable load	
					DC	AC	Perpendicular	In-line	0.5 (Nil)	1 (M)	3 (L)	5 (Z)			
															3-wire (NPN)
Solid state auto switch	—	Grommet	Yes	3-wire (NPN)	5 V, 12 V	—	M9NV	M9N	●	●	●	○	○	IC circuit	
				3-wire (PNP)			M9PV	M9P	●	●	●	○	○		
				2-wire	M9BV		M9B	●	●	●	○	○	—		
				3-wire (NPN)	M9NWV		M9NW	●	●	●	○	○	IC circuit		
	3-wire (PNP)			M9PWW	M9PW		●	●	●	○	○				
	2-wire			M9BWW	M9BW		●	●	●	○	○	—			
	3-wire (NPN)			M9NAV*1	M9NA*1		○	○	●	○	○	IC circuit			
	3-wire (PNP)			M9PAV*1	M9PA*1		○	○	●	○	○				
Reed auto switch	—	Grommet	Yes	3-wire (NPN equiv.)	—	5 V	A96V	A96	●	●	●	—	—	IC circuit	—
				2-wire	12 V	100 V	A93V*2	A93	●	●	●	●	—	—	Relay, PLC
					5 V, 12 V	100 V or less	A90V	A90	●	—	●	—	—	—	IC circuit
				None	24 V	—	—	—	—	—	—	—	—	—	—

*1 Water resistant type auto switches can be mounted on the above models, but in such case SMC cannot guarantee water resistance.

Consult with SMC regarding water resistant types with the above model numbers.

*2 1 m type lead wire is only applicable to D-A93.

* Lead wire length symbols: 0.5 m Nil (Example) M9NV M9NM
1 m M M9NW
3 m L M9NWL
5 m Z M9NWX

* Solid state auto switches marked with "○" are produced upon receipt of order.

* Since there are applicable auto switches other than listed, refer to page 832 for details.

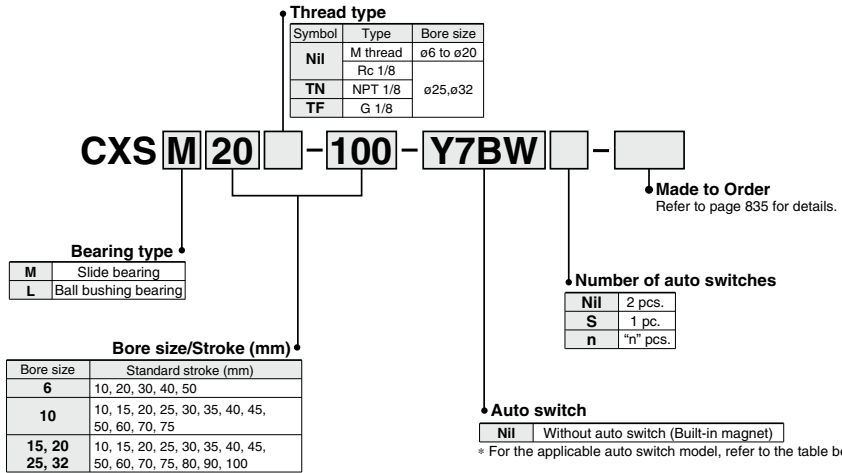
* For details about switch with pre-wired connector, refer to pages 1358 and 1359.

* Auto switches are shipped together (not assembled).

Dual Rod Cylinder Basic Type **CXS Series**

ø6, ø10, ø15, ø20, ø25, ø32

How to Order



Applicable Auto Switches

Refer to pages 1289 to 1383 for further information on auto switches.

Type	Special function	Electrical entry	Indicator/light	Wiring (Output)	Load voltage		Auto switch model		Lead wire length (m)*			Pre-wired connector	Applicable load		
					DC	AC	Perpendicular	In-line	0.5 (Nil)	3 (L)	5 (Z)				
Solid state auto switch	—	Grommet	Yes	3-wire (NPN)	5 V, 12 V	—	Y69A	Y59A	●	●	○	○	IC circuit	Relay, PLC	
				3-wire (PNP)			Y7PV	Y7P	●	●	○				
	2-wire			12 V	Y69B		Y59B	●	●	○	○	—			
	3-wire (NPN)			24 V	Y7NWV		Y7NW	●	●	○	○	IC circuit			
	3-wire (PNP)				Y7PWV		Y7PW	●	●	○	○	IC circuit			
	2-wire			12 V	Y7BWV		Y7BW	●	●	○	○	—			
Reed auto switch	—	Grommet	Yes	3-wire (NPN equivalent)	—	5 V	—	Z76	●	●	—	—	IC circuit	—	
				None	24 V	12 V	100 V	—	Z73	●	●	●	—	—	Relay, PLC
							100 V or less	—	Z80	●	●	—	—	IC circuit	

** Water resistant type auto switches can be mounted on the above models, but in such case SMC cannot guarantee water resistance.

Consult with SMC regarding water resistant types with the above model numbers.

* Lead wire length symbols: 0.5 m Nil (Example) Y59A
3 m L (Example) Y59AL
5 m Z (Example) Y59AZ

* Solid state auto switches marked with "○" are produced upon receipt of order.

- Since there are other applicable auto switches than listed, refer to page 843 for details.
- For details about auto switches with pre-wired connector, refer to pages 1358 and 1359.
- Auto switches are shipped together (not assembled).

Dual Rod Cylinder With Air Cushion

CXS Series

ø20, ø25, ø32



How to Order

Thread type

Symbol	Type	Bore size
Nil	M thread	ø20
	Rc	
TN	NPT	ø25, ø32
TF	G	

CXS M 20 - **100** **A** - **Y7BW**

Dual Rod Cylinder

Bearing type

M	Slide bearing
L	Ball bushing bearing

Bore size/Stroke (mm)

Bore size	Stroke
20	20, 25, 30, 35, 40, 45, 50, 60, 70, 75, 80, 90, 100
25, 32	25, 30, 35, 40, 45, 50, 60, 70, 75, 80, 90, 100

Number of auto switches
(No. of auto switch)

Nil	2 pcs.
S	1 pc.
n	"n" pcs.

Auto switch

Nil	Without auto switch (Built-in magnet)
------------	---------------------------------------

* For the applicable auto switch model, refer to the table below.

Air cushion

Applicable Auto Switches

Refer to pages 1289 to 1383 for further information on auto switches.

Type	Special function	Electrical entry	Indicator light	Wiring (Output)	Load voltage		Auto switch model		Lead wire length (m) *			Pre-wired connector	Applicable load		
					DC	AC	Perpendicular	In-line	0.5 (Nil)	3 (L)	5 (Z)		IC circuit	Relay, PLC	
															24 V
Solid state auto switch	—	Grommet	Yes	3-wire (NPN)	5 V, 12 V	—	—	Y69A	Y59A	●	●	○	○	IC circuit	Relay, PLC
				3-wire (PNP)				Y7PV	Y7P	●	●	○	○	IC circuit	
				2-wire	12 V			Y69B	Y59B	●	●	○	○	—	
	3-wire (NPN)			5 V, 12 V	Y7NWV			Y7NW	●	●	○	○	IC circuit		
	3-wire (PNP)				Y7PWV			Y7PW	●	●	○	○	IC circuit		
	Water resistant (2-color indicator)			2-wire	12 V			Y7BWV	Y7BW	●	●	○	○	—	
Reed auto switch	—	Grommet	Yes	3-wire (NPN equivalent)	—	5 V	—	—	Z76	●	●	—	—	IC circuit	—
				2-wire	24 V	12 V	100 V	—	Z73	●	●	●	—	—	Relay, PLC
							100 V or less	—	Z80	●	●	—	—	IC circuit	

** Water resistant type auto switches can be mounted on the above models, but in such case SMC cannot guarantee water resistance.

Consult with SMC regarding water resistant types with the above model numbers.

* Lead wire length symbols: 0.5 m Nil (Example) Y59A
3 m L (Example) Y59AL
5 m Z (Example) Y59AZ

* Solid state auto switches marked with "○" are produced upon receipt of order.

- Since there are other applicable auto switches than listed, refer to page 843 for details.
- For details about auto switches with pre-wired connector, refer to pages 1358 and 1359.
- Auto switches are shipped together (not assembled).

Moisture Control Tube IDK Series



When operating an actuator with a small diameter and a short stroke at a high frequency, the dew condensation (water droplet) may occur inside the piping depending on the conditions.

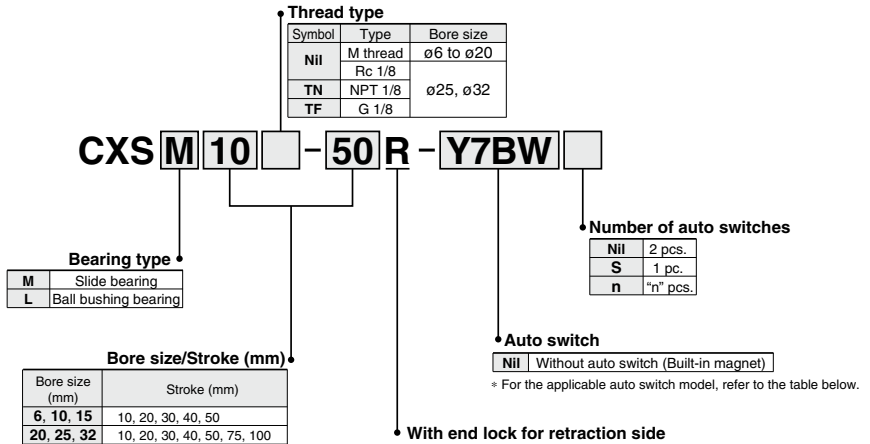
Simply connecting the moisture control tube to the actuator will prevent dew condensation from occurring. For details, refer to the [Web Catalog](#).

Dual Rod Cylinder With End Lock for Retraction Side

CXS Series

ø6, ø10, ø15, ø20, ø25, ø32

How to Order



Applicable Auto Switches

Refer to pages 1289 to 1383 for further information on auto switches.

Type	Special function	Electrical entry	Indicator light	Wiring (Output)	Load voltage		Auto switch model		Lead wire length (m)*			Pre-wired connector	Applicable load		
					DC	AC	Perpendicular	In-line	0.5 (Nil)	3 (L)	5 (Z)				
														Y69A	Y59A
Solid state auto switch	—	Grommet	Yes	3-wire (NPN)	5 V, 12 V	—	Y69A	Y59A	●	●	○	IC circuit	Relay, PLC		
				3-wire (PNP)			Y7PV	Y7P	●	●	○				
	2-wire			Y69B	Y59B		●	●	○						
	3-wire (NPN)			Y7NWV	Y7NW		●	●	○						
	3-wire (PNP)			Y7PWV	Y7PW		●	●	○						
	2-wire			Y7BWV	Y7BW		●	●	○						
Reed auto switch	—	Grommet	Yes	3-wire (NPN equivalent)	—	5 V	—	Z76	●	●	—	IC circuit	—		
				None	2-wire	24 V	12 V	100 V	—	Z73	●	●	—	IC circuit	Relay, PLC
								100 V or less	—	Z80	●	●	—	IC circuit	—

** Water resistant type auto switches can be mounted on the above models, but in such case SMC cannot guarantee water resistance.

Consult with SMC regarding water resistant types with the above model numbers.

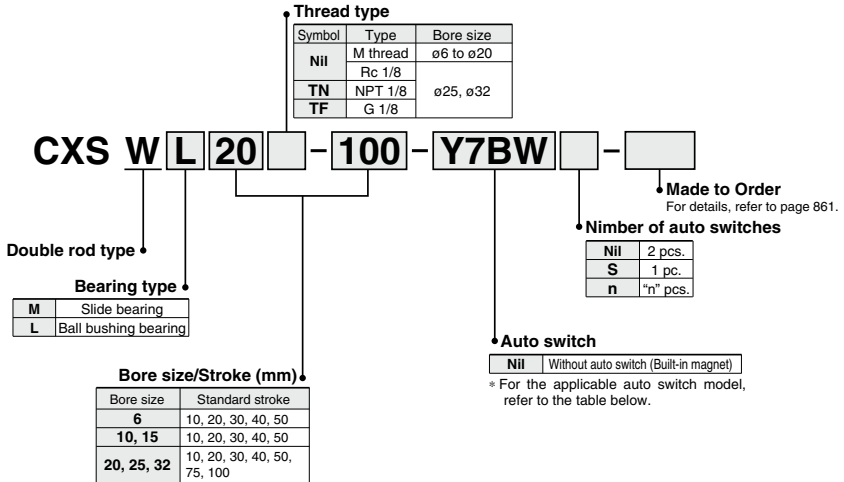
* Lead wire length symbols: 0.5 m Nil (Example) Y59A
3 m L (Example) Y59AL
5 m Z (Example) Y59AZ

* Solid state auto switches marked with "○" are produced upon receipt of order.

- Since there are other applicable auto switches than listed, refer to page 843 for details.
- For details about auto switches with pre-wired connector, refer to pages 1358 and 1359.
- Auto switches are shipped together (not assembled).

Dual Rod Cylinder Double Rod Type **CXSW Series** ø6, ø10, ø15, ø20, ø25, ø32

How to Order



Applicable Auto Switches

Refer to pages 1289 to 1383 for further information on auto switches.

Type	Special function	Electrical entry	Indicator light	Wiring (Output)	Load voltage		Auto switch model		Lead wire length (m) *			Pre-wired connector	Applicable load	
					DC	AC	Perpendicular	In-line	0.5 (Nil)	3 (L)	5 (Z)		IC circuit	PLC
Solid state auto switch	—	Grommet	Yes	3-wire (NPN)	5 V, 12 V	—	Y69A	Y59A	●	●	○	○	Relay, PLC	
				3-wire (PNP)			Y7PV	Y7P	●	●	○	○		
				2-wire	Y69B	Y59B	●	●	○	○				
	3-wire (NPN)	5 V, 12 V	Y7NWX	Y7NW	●	●	○	○	IC circuit					
	3-wire (PNP)		Y7PWV	Y7PW	●	●	○	○	IC circuit					
Water resistant (2-color indicator)	2-wire	12 V	—	Y7BWV	Y7BW	●	●	○	○	—				
Reed auto switch	—	Grommet	Yes	3-wire (NPN equivalent)	—	5 V	—	Z76	●	●	—	—	IC circuit	—
				2-wire	24 V	12 V	100 V	—	Z73	●	●	—	—	Relay, PLC
			None			100 V or less	—	Z80	●	●	—	—	IC circuit	

** Water resistant type auto switches can be mounted on the above models, but in such case SMC cannot guarantee water resistance.

Consult with SMC regarding water resistant types with the above model numbers.

* Lead wire length symbols: 0.5 m Nil (Example) Y59A
3 m L (Example) Y59AL
5 m Z (Example) Y59AZ

* Solid state auto switches marked with "○" are produced upon receipt of order.

- Since there are other applicable auto switches than listed, refer to page 843 for details.
- For details about auto switches with pre-wired connector, refer to pages 1358 and 1359.
- Auto switches are shipped together (not assembled).