

Large Size 3 Port Solenoid Valve

VP3145/3165/3185 Series

Rubber Seal



[Option]

Note) CE/UKCA-compliant: D/DL/DS/DZ only (Electrical entry)

Large flow capacity, small exhaust resistance

(Refer to "Flow Rate Characteristic" table.)

Easy conversion to N.C. or N.O.

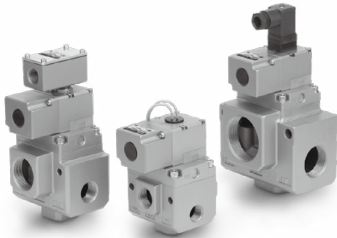
Function plate makes it possible to use as a N.C. or N.O. valve with the port unchanged.

Possible to use in vacuum or under low pressures

Vacuum: Up to 101.2 kPa

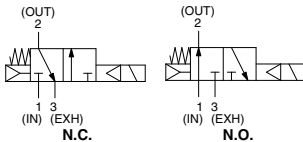
Low pressure: 0 to 0.2 MPa

Free mounting orientation

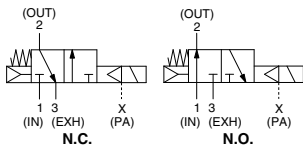


Symbol

Internal pilot
<Standard>

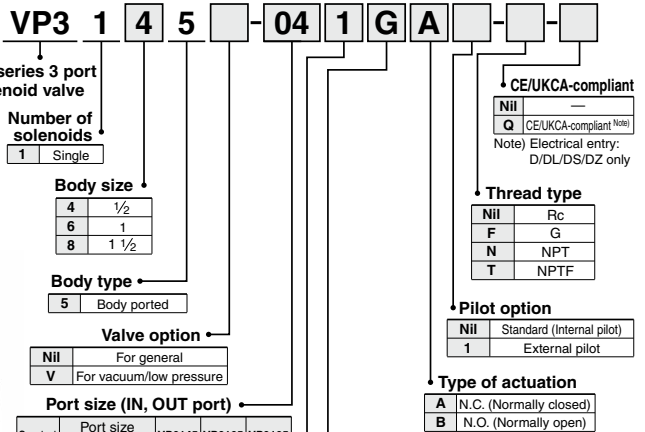


External pilot



Note) N.O. valve operates properly only when appropriate pressure is applied to the pilot.

How to Order



Symbol	Port size Rc (Nominal size)	VP3145	VP3165	VP3185
03	3/8 (10A)	●		
04	1/2 (15A)	●		
06	3/4 (20A)	●	●	
10	1 (25A)		●	
12	1 1/4 (32A)		●	●
14	1 1/2 (40A)			●
20	2 (50A)			●

Coil rated voltage	
1	100 VAC, 50/60 Hz
2	200 VAC, 50/60 Hz
3*	110 VAC, 50/60 Hz
4*	220 VAC, 50/60 Hz
5	24 VDC
6*	12 VDC
7*	240 VAC, 50/60 Hz

* Semi-standard
For other rated voltages, please consult with SMC.

Electrical entry		CE/UKCA-compliant
G	Grommet	—
T	Conduit terminal	—
D	DIN terminal	●
TL*	Conduit terminal with indicator light	—
TS*	Conduit terminal with surge voltage suppressor	—
TZ*	Conduit terminal with light/surge voltage suppressor	—
DL*	DIN terminal with indicator light	●
DS*	DIN terminal with surge voltage suppressor	●
DZ*	DIN terminal with light/surge voltage suppressor	●

* Semi-standard

How to Order Pilot Valve Assembly



Coil rated voltage	
1	100 VAC, 50/60 Hz
2	200 VAC, 50/60 Hz
3*	110 VAC, 50/60 Hz
4*	220 VAC, 50/60 Hz
5	24 VDC
6*	12 VDC
7*	240 VAC, 50/60 Hz

* Semi-standard
For other rated voltages, please consult with SMC.

Electrical entry		CE/UKCA-compliant
G	Grommet	—
T	Conduit terminal	—
D	DIN terminal	●
TL*	Conduit terminal with indicator light	—
TS*	Conduit terminal with surge voltage suppressor	—
TZ*	Conduit terminal with light/surge voltage suppressor	—
DL*	DIN terminal with indicator light	●
DS*	DIN terminal with surge voltage suppressor	●
DZ*	DIN terminal with light/surge voltage suppressor	●

* Semi-standard

CE/UKCA-compliant
NII —
Q CE/UKCA-compliant (Note)
Note) Electrical entry: D/DL/DS/DZ only



Made to Order
(Refer to pages 1121 to 1123 for details.)

Note) The pilot valve assembly shown above includes the function plate and gasket.