

# Refrigerated Air Dryer

# **IDF60/70/80/90 Series**

(Max. inlet air temperature: 65°C, Max. ambient temperature: 45°C)



## How to Order

IDF **60** - **30** -   

Size

60
70
80
90

Voltage

Symbol	Voltage	Applicable size			
		60	70	80	90
20	Single-phase 200 VAC (50 Hz) 200/220 VAC (60 Hz)	●	●	●	●
		●	●	●	●
30	Three-phase 200 VAC (50 Hz) 200/220 VAC (60 Hz)	●	●	●	●
		●	●	●	●

Options

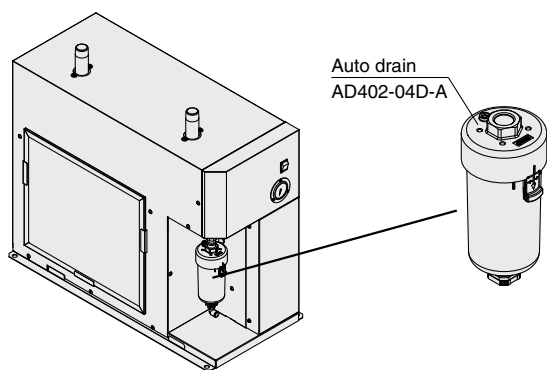
Symbol	Description
Nil	None
A	Cool compressed air output
C	Anti-corrosive treatment for copper tube
G	With Chinese labels and a Chinese operation manual
L	With a heavy-duty auto drain (The maximum operating pressure is 1.6 MPa.)
R	With an earth leakage breaker
T	With a terminal block for operating, error, and remote operation signals
V	With a timer controlled solenoid valve type auto drain (The maximum operating pressure is 1.6 MPa.)

\* When multiple options are combined, indicate symbols in alphabetical order.

\* The combination of L and V is not available.

## Replacement Parts

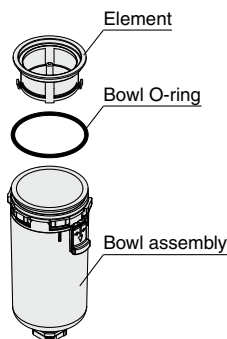
### Auto drain



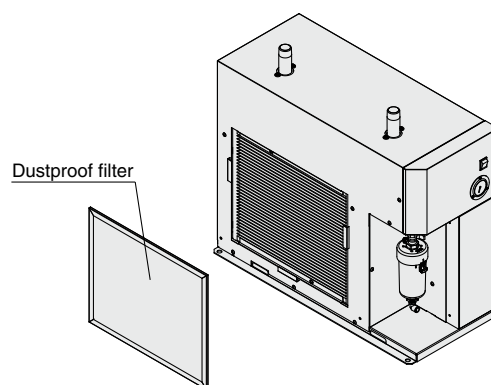
#### Auto Drain Replacement Part Nos.

Description	Part no.	Qty.
Element	<b>AD402P-040S</b>	1
Bowl O-ring	<b>KA00463</b>	1
Bowl assembly*1	<b>AD52-A</b>	1

\*1 A bowl O-ring is included.  
A One-touch fitting for connecting the drain tube is not included.



### Dustproof filter



#### Dustproof Filter Replacement Part Nos.

Part no.	Qty.	Dimension [mm]	Applicable model
<b>IDF-S0530</b>	1	H370 x W440	For IDF60
<b>IDF-S0531</b>	1	H614 x W440	For IDF70
<b>IDF-S0535</b>	1	H614 x W556	For IDF80, IDF90