

# Rotary Table/Rack & Pinion Type

# MSQ Series

## Size: 10, 20, 30, 50



### How to Order

Basic type

MSQ 10 A - M9BW - - -

Size

10
20
30
50

• Made to order  
For details, refer to the next page.

• Port type

End port type		Size
Nil	M5	10, 20
Nil	Rc1/8	30, 50
-XF	G1/8	
-XN	NPT1/8	
-XT	NPTF1/8	

\* Side ports are all M5.  
For details, refer to the specifications on page 17.

• Number of auto switches

Nil	2
S	1
n	n

• Auto switch

Nil	Without auto switch (Built-in magnet)
-----	---------------------------------------

\* For applicable auto switches, refer to the table below.

A	Cushion pad	
D	Bumper	
R	Internal shock absorber	

### Applicable Auto Switches/Refer to the Web Catalog for further information on auto switches.

Type	Special function	Electrical entry	Indicator light	Wiring (Output)	Load voltage		Auto switch model		Lead wire length [m]				Pre-wired connector	Applicable load			
					DC	AC	Perpendicular	In-line	0.5 (Nil)	1 (M)	3 (L)	5 (Z)					
Solid state auto switch	Diagnostic indication (2-color indicator)	Grommet	Yes	3-wire (NPN)	24 V	5 V, 12 V	—	M9NV	M9N	●	●	●	○	○	IC circuit	Relay, PLC	
				3-wire (PNP)				M9PV	M9P	●	●	●	○	○			
				2-wire				M9BV	M9B	●	●	●	○	○			
				3-wire (NPN)				M9N WV	M9N W	●	●	●	○	○			
				3-wire (PNP)				M9P WV	M9P W	●	●	●	○	○			
				2-wire				M9B WV	M9B W	●	●	●	○	○			
	Water resistant (2-color indicator)	Grommet	No	3-wire (NPN)	24 V	5 V, 12 V	—	—	M9NAV*1	M9NA*1	○	○	●	○	○	IC circuit	—
				3-wire (PNP)					M9PAV*1	M9PA*1	○	○	●	○	○		
				2-wire					M9BAV*1	M9BA*1	○	○	●	○	○		
Reed auto switch	—	Grommet	Yes	3-wire (NPN equiv.)	24 V	12 V	100 V 100 V or less	A96V	A96	●	—	●	—	—	IC circuit	—	
				2-wire				A93V*2	A93	●	●	●	●	—	—	—	IC circuit
			No	2-wire	24 V	12 V	100 V 100 V or less	A90V	A90	●	—	●	—	—	IC circuit	Relay, PLC	

\*1 Although it is possible to mount water-resistant type auto switches, note that the rotary actuator itself is not of water-resistant construction.

\*2 The 1 m lead wire is only applicable to the D-A93.

\* Lead wire length symbols: 0.5 m..... Nil (Example) M9NW  
 1 m..... M (Example) M9NWM  
 3 m..... L (Example) M9NWL  
 5 m..... Z (Example) M9NWX

\* Solid state auto switches marked with a "O" are produced upon receipt of order.

\* Auto switches are shipped together with the product but do not come assembled.

# Rotary Table/Rack & Pinion Type

# MSQ Series

With External Shock Absorber  
Size: 10, 20, 30, 50

## How to Order

MSQ **10** **L** **2** - **M9BW** [ ] [ ] - [ ]

Size

10
20
30
50

Shock absorber type

<b>L</b>	Shock absorber for low energy
<b>H</b>	Shock absorber for high energy

Port location/Rotation

<b>2</b>	Standard type	180°
<b>3</b>		90°
<b>4</b>	Symmetric type	180°
<b>5</b>		90°

Refer to the table to the right.

Auto switch

<b>Nil</b>	Without auto switch (Built-in magnet)
------------	---------------------------------------

\* For applicable auto switches, refer to the table below.

Made to order  
For details, refer to page 23.

Port type

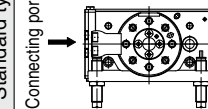
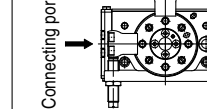
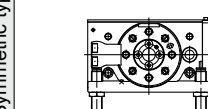
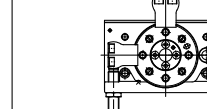
End port type		Size
<b>Nil</b>	M5	10, 20
<b>Nil</b>	Rc1/8	30, 50
<b>-XF</b>	G1/8	
<b>-XN</b>	NPT1/8	
<b>-XT</b>	NPTF1/8	

\* Side ports are all M5.  
For details, refer to the specifications on page 23.

Number of auto switches

<b>Nil</b>	2
<b>S</b>	1
<b>n</b>	n

Port location/Rotation

		Rotation	
		180°	90°
Connecting port position	Standard type	<b>2: Standard type, 180°</b> 	<b>3: Standard type, 90°</b> 
	Symmetric type	<b>4: Symmetric type, 180°</b> 	<b>5: Symmetric type, 90°</b> 

Applicable Auto Switches/Refer to the Web Catalog for further information on auto switches.

Type	Special function	Electrical entry	Indicator light	Wiring (Output)	Load voltage		Auto switch model		Lead wire length [m]					Pre-wired connector	Applicable load	
					DC	AC	Perpendicular	In-line	0.5 (Nil)	1 (M)	3 (L)	5 (Z)				
Solid state auto switch	Diagnostic indication (2-color indicator)	Grommet	Yes	3-wire (NPN)	24 V	5 V, 12 V	—	<b>M9NV</b>	<b>M9N</b>	●	●	●	○	○	IC circuit	Relay, PLC
				3-wire (PNP)				<b>M9PV</b>	<b>M9P</b>	●	●	●	○			
				2-wire				<b>M9BV</b>	<b>M9B</b>	●	●	●	○			
				3-wire (NPN)				<b>M9NWV</b>	<b>M9NW</b>	●	●	●	○			
				3-wire (PNP)				<b>M9PWV</b>	<b>M9PW</b>	●	●	●	○			
				2-wire				<b>M9BWW</b>	<b>M9BW</b>	●	●	●	○			
	Water resistant (2-color indicator)	Grommet	No	3-wire (NPN)	24 V	5 V, 12 V	—	<b>M9NAV</b> *1	<b>M9NA</b> *1	○	○	●	○	○	IC circuit	—
				3-wire (PNP)				<b>M9PAV</b> *1	<b>M9PA</b> *1	○	○	●	○			
				2-wire				<b>M9BAV</b> *1	<b>M9BA</b> *1	○	○	●	○			
Reed auto switch	—	Grommet	Yes	3-wire (NPN equiv.)	24 V	5 V	—	<b>A96V</b>	<b>A96</b>	●	—	●	—	—	IC circuit	—
				2-wire				100 V	100 V or less	<b>A93V</b> *2	<b>A93</b>	●	●	●		

\*1 Although it is possible to mount water-resistant type auto switches, note that the rotary actuator itself is not of water-resistant construction.

\*2 The 1 m lead wire is only applicable to the D-A93.

\* Lead wire length symbols: 0.5 m..... Nil (Example) M9NW  
1 m..... M (Example) M9NW  
3 m..... L (Example) M9NW  
5 m..... Z (Example) M9NW

\* Solid state auto switches marked with a "○" are produced upon receipt of order.

\* Refer to the Web Catalog for the details of solid state auto switch with pre-wired connector.

\* Auto switches are shipped together with the product but do not come assembled.