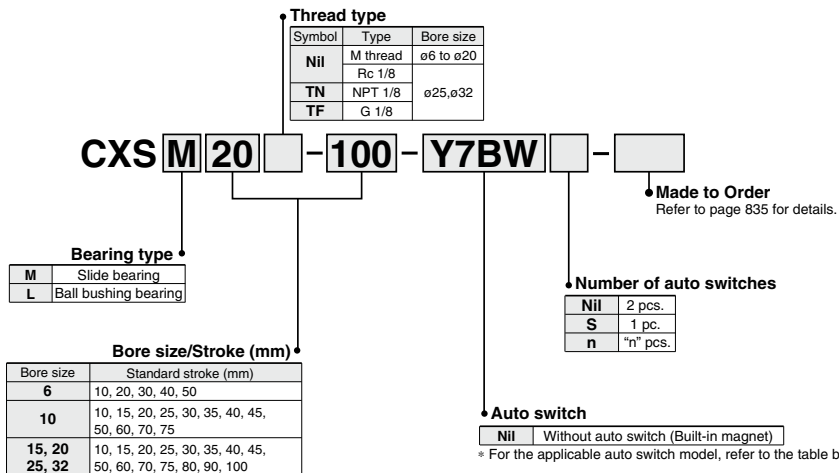


Dual Rod Cylinder Basic Type **CXS Series** ø6, ø10, ø15, ø20, ø25, ø32

How to Order



Applicable Auto Switches

Refer to pages 1289 to 1383 for further information on auto switches.

| Type | Special function | Electrical entry | Indicator/light | Wiring (Output) | Load voltage | | Auto switch model | | Lead wire length (m)* | | | Pre-wired connector | Applicable load | | | |
|-------------------------|------------------|------------------|-----------------|-------------------------|--------------|---------------|-------------------|---------|-----------------------|-------|-------|---------------------|-----------------|------------|------------|------------|
| | | | | | DC | AC | Perpendicular | In-line | 0.5 (Nil) | 3 (L) | 5 (Z) | | IC circuit | Relay, PLC | | |
| | | | | | | | | | | | | | | | Y69A | Y59A |
| Solid state auto switch | — | Grommet | Yes | 3-wire (NPN) | 5 V, 12 V | — | — | ● | ● | ○ | ○ | — | — | — | | |
| | | | | 3-wire (PNP) | | | | ● | ● | ○ | ○ | | | | | |
| | 2-wire | | | 12 V | ● | | | ● | ○ | ○ | — | | | | | |
| | 3-wire (NPN) | | | 24 V | 5 V, 12 V | | | ● | ● | ○ | ○ | | | | IC circuit | Relay, PLC |
| 3-wire (PNP) | ● | ● | ○ | | ○ | IC circuit | | | | | | | | | | |
| Reed auto switch | — | Grommet | Yes | 3-wire (NPN equivalent) | — | 5 V | — | — | Z76 | ● | ● | — | — | IC circuit | — | |
| | | | | 2-wire | 24 V | 12 V | 100 V | — | Z73 | ● | ● | ● | — | — | — | Relay, PLC |
| | | | | | | 100 V or less | — | Z80 | ● | ● | — | — | — | — | IC circuit | — |
| | | | | None | 2-wire | 24 V | 12 V | 100 V | — | Z73 | ● | ● | ● | — | — | — |

** Water resistant type auto switches can be mounted on the above models, but in such case SMC cannot guarantee water resistance.

Consult with SMC regarding water resistant types with the above model numbers.

* Lead wire length symbols: 0.5 m Nil (Example) Y59A
3 m L (Example) Y59AL
5 m Z (Example) Y59AZ

* Solid state auto switches marked with "○" are produced upon receipt of order.

- Since there are other applicable auto switches than listed, refer to page 843 for details.
- For details about auto switches with pre-wired connector, refer to pages 1358 and 1359.
- Auto switches are shipped together (not assembled).

Dual Rod Cylinder With Air Cushion

CXS Series

ø20, ø25, ø32



How to Order

Thread type

| Symbol | Type | Bore size |
|--------|----------|-----------|
| Nil | M thread | ø20 |
| | Rc | |
| TN | NPT | ø25, ø32 |
| TF | G | |

CXS M 20 - **100** **A** - **Y7BW**

Dual Rod Cylinder

Bearing type

| | |
|----------|----------------------|
| M | Slide bearing |
| L | Ball bushing bearing |

Bore size/Stroke (mm)

| Bore size | Stroke |
|---------------|---|
| 20 | 20, 25, 30, 35, 40, 45, 50, 60, 70, 75, 80, 90, 100 |
| 25, 32 | 25, 30, 35, 40, 45, 50, 60, 70, 75, 80, 90, 100 |

Number of auto switches
(No. of auto switch)

| | |
|------------|----------|
| Nil | 2 pcs. |
| S | 1 pc. |
| n | "n" pcs. |

Auto switch

| | |
|------------|---------------------------------------|
| Nil | Without auto switch (Built-in magnet) |
|------------|---------------------------------------|

* For the applicable auto switch model, refer to the table below.

Air cushion

Applicable Auto Switches

Refer to pages 1289 to 1383 for further information on auto switches.

| Type | Special function | Electrical entry | Indicator light | Wiring (Output) | Load voltage | | Auto switch model | | Lead wire length (m) * | | | Pre-wired connector | Applicable load | | |
|-------------------------|------------------|------------------|-----------------|-------------------------|--------------|------|-------------------|--------------|------------------------|-------|-------|---------------------|-----------------|------------|------------|
| | | | | | DC | AC | Perpendicular | In-line | 0.5 (Nil) | 3 (L) | 5 (Z) | | IC circuit | Relay, PLC | |
| | | | | | | | | | | | | | | | — |
| Solid state auto switch | — | Grommet | Yes | 3-wire (NPN) | 5 V, 12 V | — | Y69A | Y59A | ● | ● | ○ | ○ | IC circuit | Relay, PLC | |
| | | | | 3-wire (PNP) | | | Y7PV | Y7P | ● | ● | ○ | ○ | | | |
| | | | | 2-wire | 12 V | | Y69B | Y59B | ● | ● | ○ | ○ | | | — |
| | | | | 3-wire (NPN) | 24 V | | Y7NWV | Y7NW | ● | ● | ○ | ○ | | | IC circuit |
| | | | | 3-wire (PNP) | | | 5 V, 12 V | Y7PWV | Y7PW | ● | ● | ○ | | | ○ |
| | | | | 2-wire | 12 V | | Y7BWV | Y7BW | ● | ● | ○ | ○ | | | — |
| Reed auto switch | — | Grommet | Yes | 3-wire (NPN equivalent) | — | 5 V | — | Z76 | ● | ● | — | — | IC circuit | — | |
| | | | | 2-wire | 24 V | 12 V | 100 V | — | Z73 | ● | ● | ● | — | — | Relay, PLC |
| | | | | | | | 100 V or less | — | Z80 | ● | ● | — | — | IC circuit | — |

** Water resistant type auto switches can be mounted on the above models, but in such case SMC cannot guarantee water resistance.

Consult with SMC regarding water resistant types with the above model numbers.

* Lead wire length symbols: 0.5 m Nil (Example) Y59A
3 m L (Example) Y59AL
5 m Z (Example) Y59AZ

* Solid state auto switches marked with "○" are produced upon receipt of order.

- Since there are other applicable auto switches than listed, refer to page 843 for details.
- For details about auto switches with pre-wired connector, refer to pages 1358 and 1359.
- Auto switches are shipped together (not assembled).

Moisture Control Tube IDK Series



When operating an actuator with a small diameter and a short stroke at a high frequency, the dew condensation (water droplet) may occur inside the piping depending on the conditions.

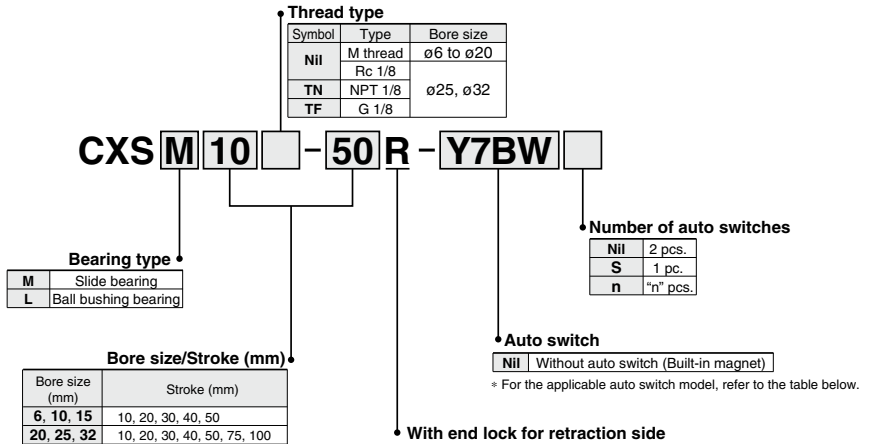
Simply connecting the moisture control tube to the actuator will prevent dew condensation from occurring. For details, refer to the [Web Catalog](#).

Dual Rod Cylinder With End Lock for Retraction Side

CXS Series

ø6, ø10, ø15, ø20, ø25, ø32

How to Order



Applicable Auto Switches

Refer to pages 1289 to 1383 for further information on auto switches.

| Type | Special function | Electrical entry | Indicator light | Wiring (Output) | Load voltage | | Auto switch model | | Lead wire length (m)* | | | Pre-wired connector | Applicable load | |
|-------------------------|------------------|------------------|-----------------|-------------------------|--------------|---------------|-------------------|---------|-----------------------|-------|-------|---------------------|-----------------|------------|
| | | | | | DC | AC | Perpendicular | In-line | 0.5 (Nil) | 3 (L) | 5 (Z) | | | |
| | | | | | | | | | | | | | | Y69A |
| Solid state auto switch | — | Grommet | Yes | 3-wire (NPN) | 5 V, 12 V | — | Y69A | Y59A | ● | ● | ○ | IC circuit | Relay, PLC | |
| | | | | 3-wire (PNP) | | | Y7PV | Y7P | ● | ● | ○ | | | |
| | 2-wire | | | Y69B | Y59B | | ● | ● | ○ | | | | | |
| | 3-wire (NPN) | | | Y7NWV | Y7NW | | ● | ● | ○ | | | | | |
| | 3-wire (PNP) | | | Y7PWV | Y7PW | | ● | ● | ○ | | | | | |
| | 2-wire | | | Y7BWV | Y7BW | | ● | ● | ○ | | | | | |
| Reed auto switch | — | Grommet | Yes | 3-wire (NPN equivalent) | 5 V | — | — | Z76 | ● | ● | — | IC circuit | — | |
| | | | | 2-wire | 24 V | 12 V | 100 V | — | Z73 | ● | ● | — | IC circuit | Relay, PLC |
| | | | | | — | 100 V or less | — | Z80 | ● | ● | — | — | IC circuit | — |

** Water resistant type auto switches can be mounted on the above models, but in such case SMC cannot guarantee water resistance.

Consult with SMC regarding water resistant types with the above model numbers.

* Lead wire length symbols: 0.5 m Nil (Example) Y59A
3 m L (Example) Y59AL
5 m Z (Example) Y59AZ

* Solid state auto switches marked with "○" are produced upon receipt of order.

- Since there are other applicable auto switches than listed, refer to page 843 for details.
- For details about auto switches with pre-wired connector, refer to pages 1358 and 1359.
- Auto switches are shipped together (not assembled).