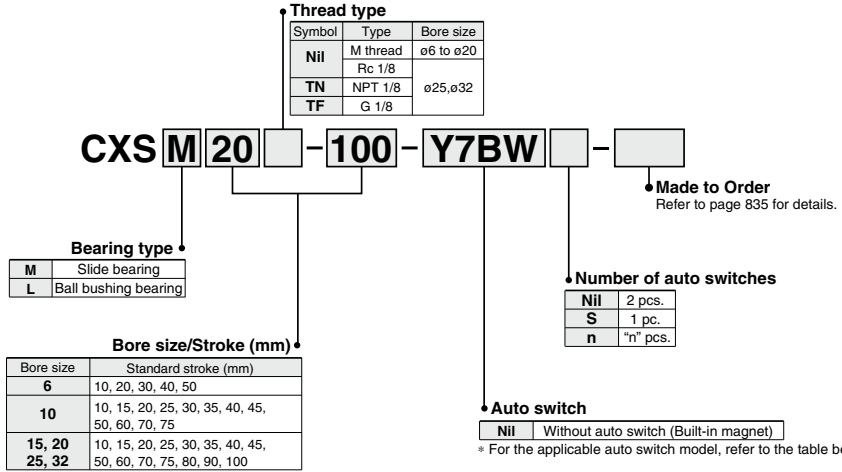


Dual Rod Cylinder Basic Type **CXS Series**

ø6, ø10, ø15, ø20, ø25, ø32

How to Order



Applicable Auto Switches/Refer to pages 1289 to 1383 for further information on auto switches.

Type	Special function	Electrical entry	Indicator light	Wiring (Output)	Load voltage		Auto switch model		Lead wire length (m)*			Pre-wired connector	Applicable load			
					DC	AC	Perpendicular	In-line	0.5 (Nil)	3 (L)	5 (Z)		IC circuit	Relay, PLC		
															Y69A	Y59A
Solid state auto switch	—	Grommet	Yes	3-wire (NPN)	5 V, 12 V	—	—	●	●	○	○	—	—	—		
				3-wire (PNP)				●	●	○	○					
	2-wire			12 V	●			●	○	○	—					
	3-wire (NPN)			24 V	5 V, 12 V			●	●	○	○				IC circuit	
3-wire (PNP)	12 V	●	●		○	○	—									
Reed auto switch	—	Grommet	Yes	3-wire (NPN equivalent)	—	5 V	—	—	Z76	●	●	—	—	IC circuit	—	
				2-wire	24 V	12 V	100 V	—	Z73	●	●	—	—	—	—	Relay, PLC
						100 V or less	—	Z80	●	●	—	—	—	—	—	IC circuit
				None	—	—	—	—	—	—	—	—	—	—	—	—

** Water resistant type auto switches can be mounted on the above models, but in such case SMC cannot guarantee water resistance.

Consult with SMC regarding water resistant types with the above model numbers.

* Lead wire length symbols: 0.5 m Nil (Example) Y59A
3 m L (Example) Y59AL
5 m Z (Example) Y59AZ

* Solid state auto switches marked with "○" are produced upon receipt of order.

- Since there are other applicable auto switches than listed, refer to page 843 for details.
- For details about auto switches with pre-wired connector, refer to pages 1358 and 1359.
- Auto switches are shipped together (not assembled).

Dual Rod Cylinder With Air Cushion

CXS Series

ø20, ø25, ø32



How to Order

Thread type		
Symbol	Type	Bore size
Nil	M thread	ø20
	Rc	
TN	NPT	ø25, ø32
TF	G	

CXS **M** **20** **100** **A** **Y7BW**

Dual Rod Cylinder

Bearing type

M	Slide bearing
L	Ball bushing bearing

Number of auto switches
(No. of auto switch)

Nil	2 pcs.
S	1 pc.
n	"n" pcs.

Auto switch

Nil	Without auto switch (Built-in magnet)
------------	---------------------------------------

* For the applicable auto switch model, refer to the table below.

Bore size/Stroke (mm)

Bore size	Stroke
20	20, 25, 30, 35, 40, 45, 50, 60, 70, 75, 90, 90, 100
25, 32	25, 30, 35, 40, 45, 50, 60, 70, 75, 80, 90, 100

Air cushion

Applicable Auto Switches

Refer to pages 1289 to 1383 for further information on auto switches.

Type	Special function	Electrical entry	Indicator light	Wiring (Output)	Load voltage		Auto switch model		Lead wire length (m) *			Pre-wired connector	Applicable load		
					DC	AC	Perpendicular	In-line	0.5 (Nil)	3 (L)	5 (Z)		IC circuit	Relay, PLC	
															—
Solid state auto switch	—	Grommet	Yes	3-wire (NPN)	5 V, 12 V	—	Y69A	Y59A	●	●	○	○	IC circuit	Relay, PLC	
				3-wire (PNP)			Y7PV	Y7P	●	●	○	○			
				2-wire	24 V		Y69B	Y59B	●	●	○	○	—		
	3-wire (NPN)			Y7NWV			Y7NW	●	●	○	○	IC circuit			
	3-wire (PNP)			Y7PWV			Y7PW	●	●	○	○	—			
	2-wire			12 V	Y7BWV		Y7BW	●	●	○	○	—			
—	—	Y7BA**	—	●	●	○	○	—							
Reed auto switch	—	Grommet	Yes	3-wire (NPN equivalent)	—	5 V	—	Z76	●	●	—	—	IC circuit	—	
				2-wire	24 V	12 V	100 V	—	Z73	●	●	●	—	—	Relay, PLC
							100 V or less	—	Z80	●	●	—	—	IC circuit	


** Water resistant type auto switches can be mounted on the above models, but in such case SMC cannot guarantee water resistance. Consult with SMC regarding water resistant types with the above model numbers.

* Lead wire length symbols: 0.5 m Nil (Example) Y59A
3 m L (Example) Y59AL
5 m Z (Example) Y59AZ

* Solid state auto switches marked with "○" are produced upon receipt of order.

- Since there are other applicable auto switches than listed, refer to page 843 for details.
- For details about auto switches with pre-wired connector, refer to pages 1358 and 1359.
- Auto switches are shipped together (not assembled).

Moisture Control Tube IDK Series



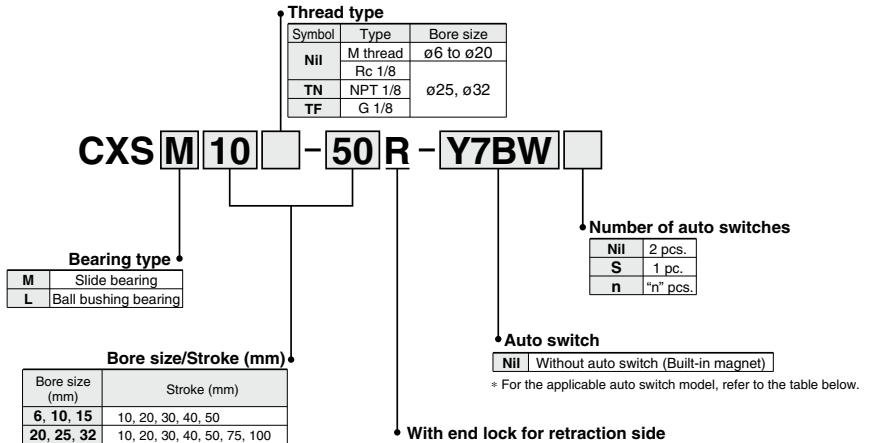
When operating an actuator with a small diameter and a short stroke at a high frequency, the dew condensation (water droplet) may occur inside the piping depending on the conditions. Simply connecting the moisture control tube to the actuator will prevent dew condensation from occurring. For details, refer to the [Web Catalog](#).

Dual Rod Cylinder With End Lock for Retraction Side

CXS Series

ø6, ø10, ø15, ø20, ø25, ø32

How to Order



Applicable Auto Switches

Refer to pages 1289 to 1383 for further information on auto switches.

Type	Special function	Electrical entry	Indicator light	Wiring (Output)	Load voltage		Auto switch model		Lead wire length (m)*			Pre-wired connector	Applicable load	
					DC	AC	Perpendicular	In-line	0.5 (Nil)	3 (L)	5 (Z)			
														Y69A
Solid state auto switch	—	Grommet	Yes	3-wire (NPN)	24 V	5 V, 12 V	—	●	●	○	○	IC circuit	Relay, PLC	
				3-wire (PNP)				●	●	○	○			
	2-wire			12 V	●	●	○	○	—					
	3-wire (NPN)			5 V, 12 V	●	●	○	○	IC circuit					
	3-wire (PNP)				●	●	○	○	IC circuit					
	2-wire			12 V	●	●	○	○	—					
Reed auto switch	—	Grommet	Yes	3-wire (NPN equivalent)	24 V	12 V	100 V	—	Z76	●	●	—	IC circuit	—
				2-wire				100 V or less	—	Z73	●	●	—	—
				None	24 V	12 V	100 V or less	—	Z80	●	●	—	—	IC circuit
								—	—	—	—	—	—	—

** Water resistant type auto switches can be mounted on the above models, but in such case SMC cannot guarantee water resistance.

Consult with SMC regarding water resistant types with the above model numbers.

* Lead wire length symbols: 0.5 m Nil (Example) Y59A
3 m L (Example) Y59AL
5 m Z (Example) Y59AZ

* Solid state auto switches marked with "○" are produced upon receipt of order.

- Since there are other applicable auto switches than listed, refer to page 843 for details.
- For details about auto switches with pre-wired connector, refer to pages 1358 and 1359.
- Auto switches are shipped together (not assembled).