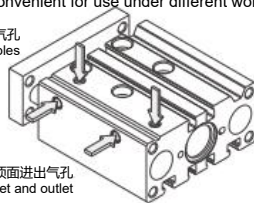


ATCL、ATCM系列产品概览

ATCL, ATCM Series Product Overview

执行JIS标准
Implementation of JIS standards

两组进出气孔可选
Two sets of inlet and outlet holes are optional
本体顶面及侧面各有一组进出气孔，方便不同工况条件下使用
There is a set of air inlet and outlet holes on the top and side of the main body, which is convenient for use under different working conditions



顶面进出气孔
Top inlet and outlet holes


侧面进出气孔
Side air inlet and outlet

双导向杆结构
Double guide rod structure
两根专用轴承钢制作的导杆，具有高抗扭转及抗侧向载荷能力。
Two guide rods made of special bearing steel have high torsion resistance and lateral load resistance.

两种导向轴承可选
Two types of guide bearings available
钢珠直线轴承(ATCL)或黄铜滑动轴承(ATCM)可选
Steel ball linear bearing (ATCL) or brass sliding bearing (ATCM) optional

自带传感器安装沟槽
Comes with sensor mounting groove
缸体周边带有传感器槽，安装传感器方便
There is a sensor groove around the cylinder body, which is convenient for installing the sensor

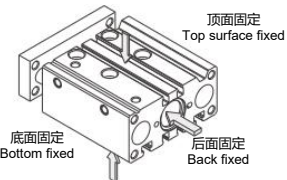
多种规格气缸可选
Various specifications of cylinders are available



ATCL(M):标准型
ATCL(M):Standard

ATCL(M)J:可调型
ATCL(M)J:Adjustable

多方位固定气缸
Multi-position fixed cylinder
本体顶面、底面、后面均有安装孔位
提供多种安装固定方式
There are installation holes on the top, bottom and back of the main body;
Provide a variety of installation and fixing methods;



顶面固定
Top surface fixed

底面固定
Bottom fixed

后面固定
Back fixed

多种缸径多行程可选
Various cylinder diameters and strokes are available
6、10、12、16、20、25、32、40
50、63、80、100等缸径可选
每种缸径分别对应多种规格行程，方便选用
6、10、12、16、20、25、32、40
50、63、80、100 and other cylinder diameters are available
Each cylinder diameter corresponds to a variety of stroke specifications, which is convenient for selection

成品订购码

Finished product ordering code

ATC ↓ 规格代号 Specification code	M ↓ 轴承代号 Bearing code	J ↓ 类别代号 Category Code	50 ↓ 缸径 Cylinder diameter	×	50 ↓ 行程 itinerary	-	20 ↓ 调整行程 Adjust the itinerary	S ↓ 磁石代号[注 1] Magnet code[Note 1]	□ ↓ 牙型代码[注 2] Tooth type code[Note 2]
ATC: 三轴气缸(复动型) Three-axis cylinder (double-acting type)	M: 铜套轴承 M: Copper sleeve bearing	空白: 标准型 Blank: Standard	6	详见行程列表 See itinerary list for details	无此代码 No such code	标准型	可调整 Adjustable	S:附磁石 S: With magnet attached	空白: PT牙 G: G牙 T: NPT牙 Blank: PT thread G: G thread T: NPT thread
	L: 直线轴承 M: 铜套轴承 L: Linear bearing M: Copper sleeve bearing	空白: 标准型 J: 可调型 Blank: Standard J: Adjustable	10						
		空白: 标准型 Blank: Standard	12						
			16						
			20						
			32						
			40						
			50						
			63						
			80						
		100							
					无此代码 No such code				

[注1]ATC系列全附磁。

[注2]当接管为M5时，此项代码为空。

[Note 1] ATC series are all equipped with magnets.

[Note 2] When the pipe is M5, this code is blank.