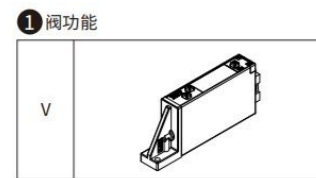
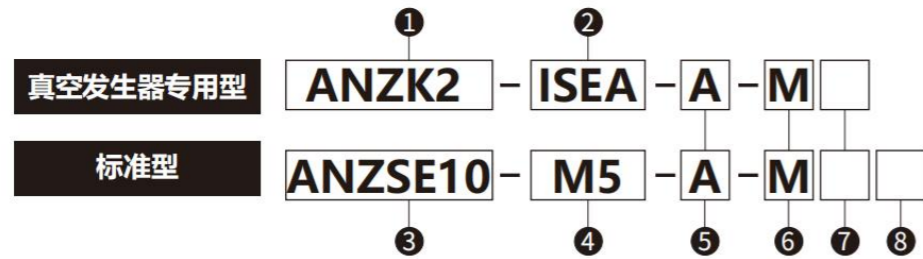


型号表示方法

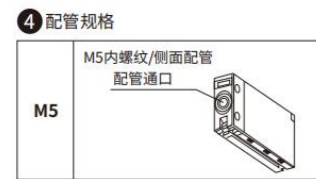


2 额定压力范围

ISEA	-0.1 ~ 1Mpa
ZSEA	0 ~ -101kPa
ZSEF	-100 ~ 100kPa
ZSEV	-100 ~ 100kPa(节能)

3 额定压力范围

ANISE10	-0.1 ~ 1Mpa
ANZSE10	0 ~ -101kPa
ANZSE10F	-100 ~ 100kPa



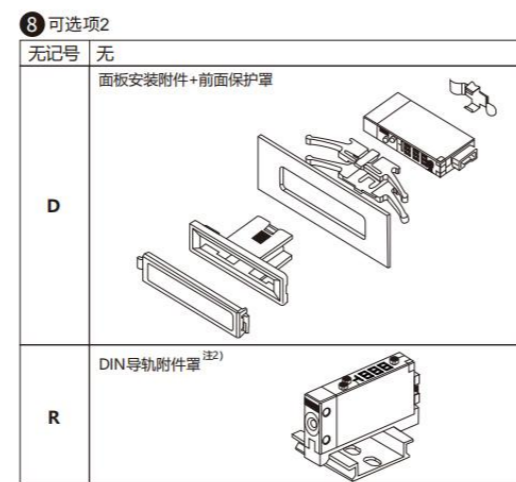
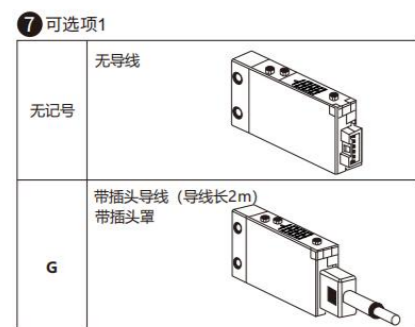
5 输出规格

N	NPN(1路输出)
P	PNP(1路输出)
A	NPN(2路输出)
B	PNP(2路输出)
C	NPN(1路输出)+模拟输出1~5V
D	NPN(1路输出)+模拟输出4~20mA
E	PNP(1路输出)+模拟输出1~5V
F	PNP(1路输出)+模拟输出4~20mA
R	NPN(2路输出)+模拟输出1~5V
S	NPN(2路输出)+模拟输出4~20mA
T	PNP(2路输出)+模拟输出1~5V
V	PNP(2路输出)+模拟输出4~20mA

6 单位规格

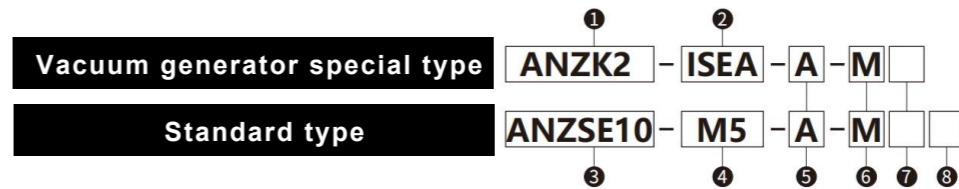
无记号	带单位切换功能输出
M	固定单位 注1)
P	带单位切换功能 (初期值PSI)

注1) 固定单位
真空·混合压力: kPa
正压力: MPa

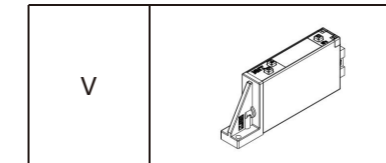


注2) 配管规格M5R、01、N01时不能选择。请客户自备DIN导轨。

Model indication method



1 Valve function



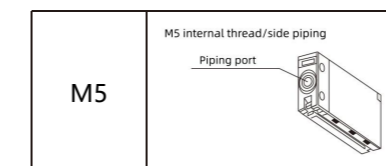
2 Rated pressure range

ISEA	-0.1~1Mpa
ZSEA	0~-101Kpa
ZSEF	-100~100Kpa
ZSEV	-100~100Mpa(Energy saving)

3 输出规格 Output specifications

ANISE10	-0.1~1Mpa
ANZSE10	0~-101Kpa
ANZSE10F	-100~100Kpa

4 Piping specifications



5 Output Specifications

N	NPN (1-channel output)
P	PNP (1-channel output)
A	NPN (2-channel output)
B	PNP (2-channel output)
C	NPN (1-channel output) + Analog Output 1~5V
D	NPN (1-channel output) + Analog Output 4~20mA
E	PNP (1-channel output) + Analog Output 1~5V
F	PNP (1-channel output) + Analog Output 4~20mA
R	NPN (2-channel output) + Analog Output 1~5V
S	NPN (2-channel output) + Analog Output 4~20mA
T	PNP (2-channel output) + Analog Output 1~5V
V	PNP (2-channel output) + Analog Output 4~20mA

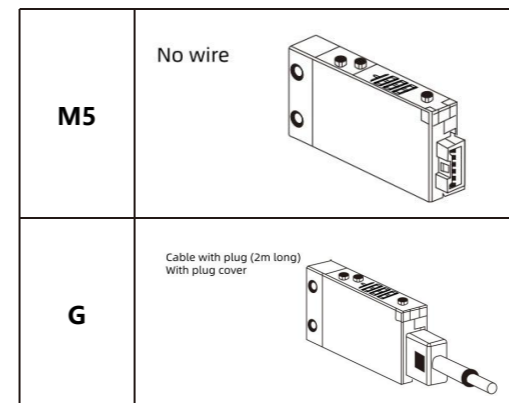
※Energy-saving models only support N and P output specifications.

6 Unit Specifications

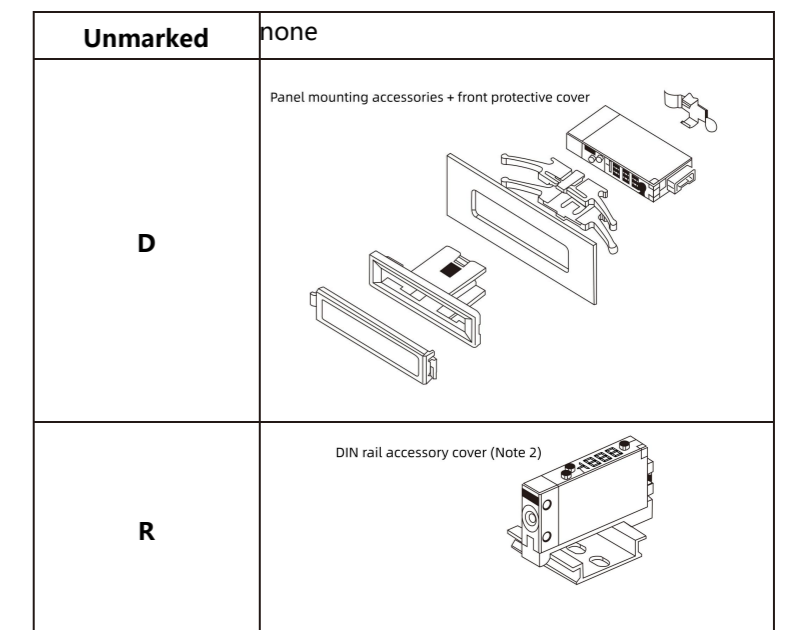
Unmarked	Output with unit switching function
M	Fixed unit (Note 1)
P	With unit switching function (Initial value PSI)

(Note 1) Fixed Units:
Vacuum/Mixed Pressure: kPa
Positive Pressure: MPa

7 Option 1



8 Option 2



Note 2) Piping specifications M5R, 01, and N01 cannot be selected. Customers are requested to provide their own DIN rails.