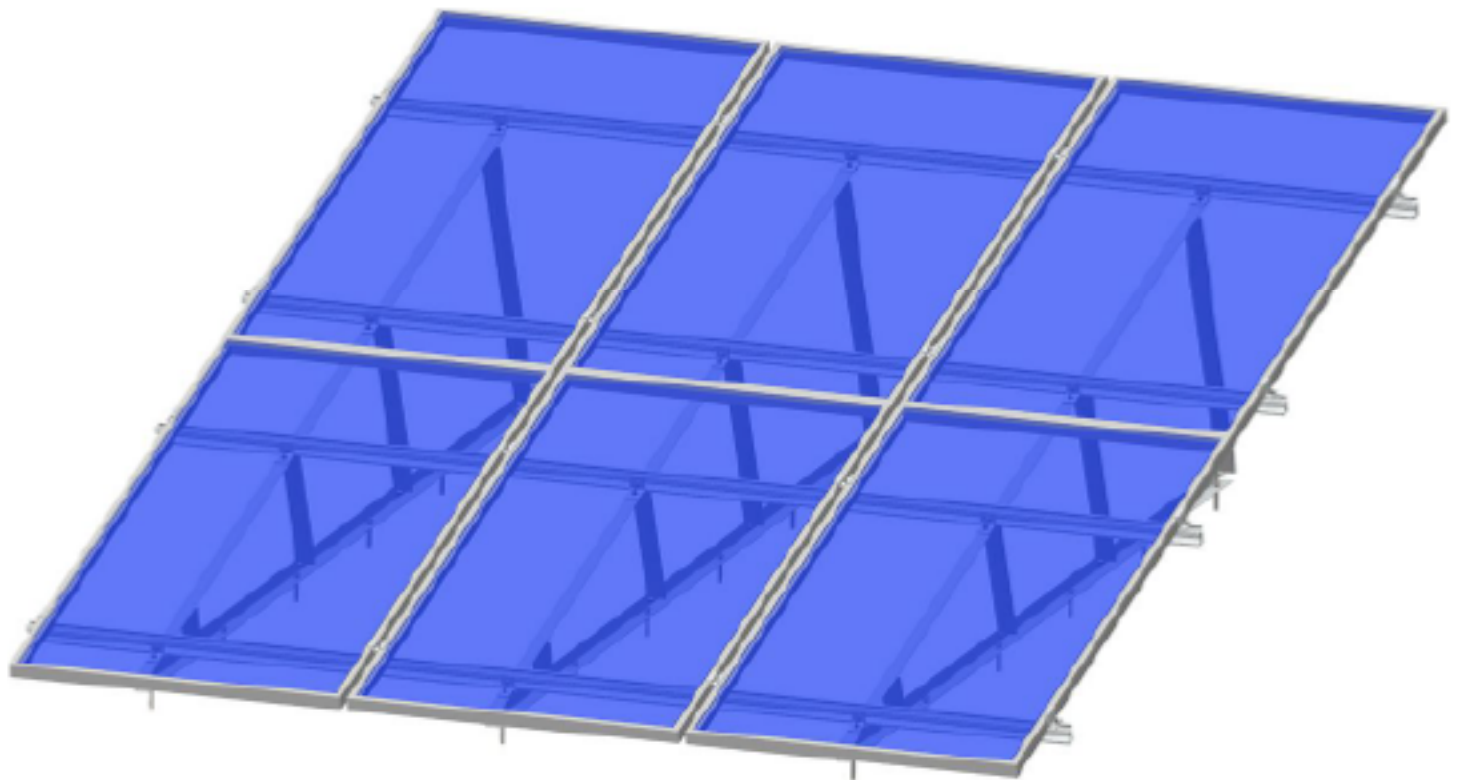




XIAMEN ART SIGN CO.,LTD.




Angle Bar Triangle Kit

Installation Guide



● Components List

	
<p>AS-DR-01A D rail 01A# W32.30*H59.45mm Material: aluminum 6005-T5</p>	<p>AS-DR-01B D rail 01B# W32.10*H53.75mm Material: aluminum 6005-T5</p>
	
<p>AS-DR-03 D rail 03# W31.70*H46.70mm Material: aluminum 6005-T5</p>	<p>AS-DRS-01 1# D rail splice L150*W23.6*H8mm Material: aluminum 6005-T5 Allen bolt M8*20mm 2pcs Application:AS-DR-01A/01B/03#</p>
	
<p>AS-DRS-02 2# D rail splice L150*W17.9*H30mm Material: aluminum 6005-T5 Rivet 1pcs Application: AS-DR-01A/01B</p>	<p>AS-DMC D rail mid clamp 40/50mm width Material: aluminum 6005-T5 Application: Framed panel, aluminum rail - D nut series</p>

	
<p>AS-DEC D rail end clamp 40/50mm width Material: aluminum 6005-T5 Application: Framed panel, aluminum rail - D nut series</p>	<p>AS-LC-01D 40mm L connector L40*W49*H49*T5.5mm Material:aluminum 6005-T5 Allen bolt M8*25 2pcs Application: flat roof</p>
	
<p>AS-AB-B Angle bar W42*H42*T2.6mm Material: aluminum 6005-T5 Application: flat roof, tin roof</p>	

● Installation Tools



Socket Wrench



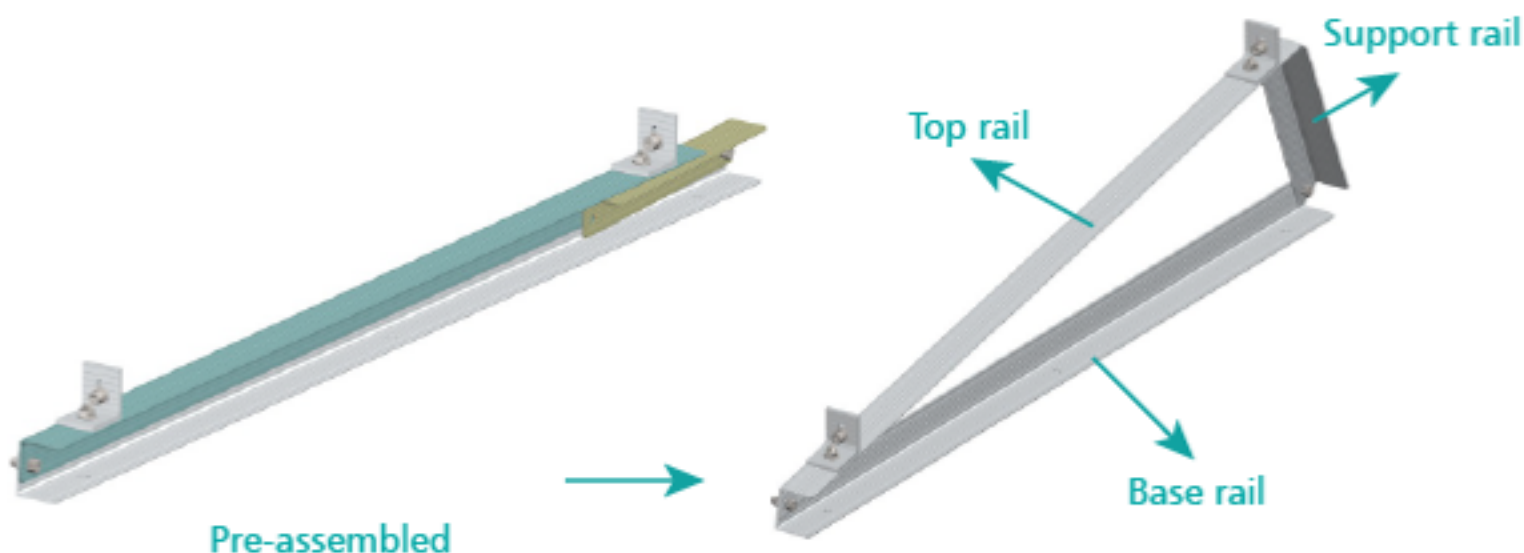
Tape Measure



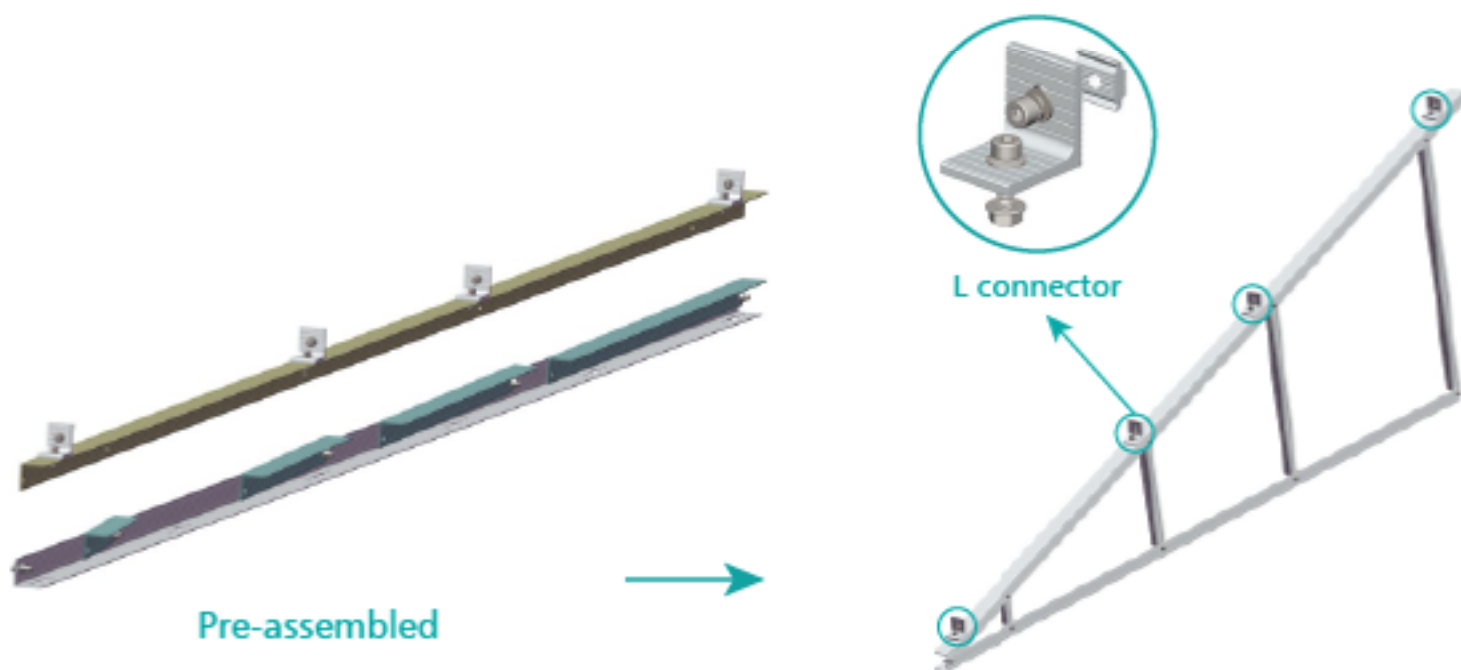
Impact Driver

STEP 1 Triangle kit assembly

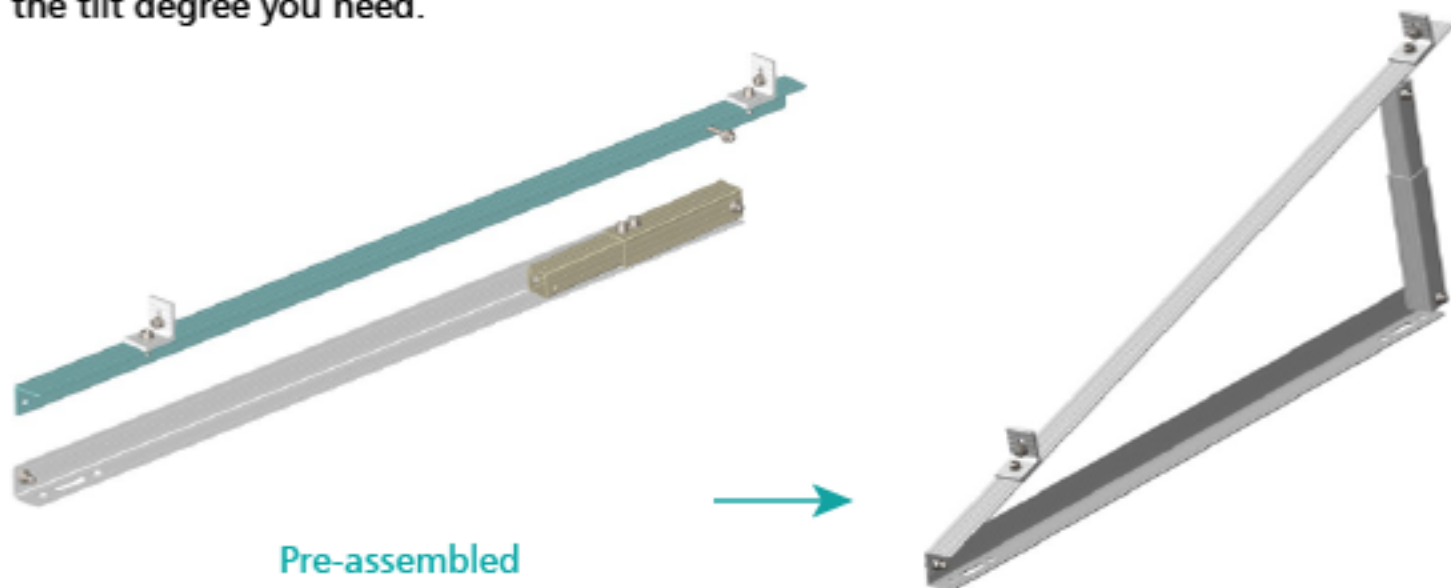
① Open the pre-assembled triangle kit, screw the support rail and top rail on the base rail of triangle kit, and then fasten the allen bolts completely and firmly.



② Fixed 40mm L connector on the triangle kit

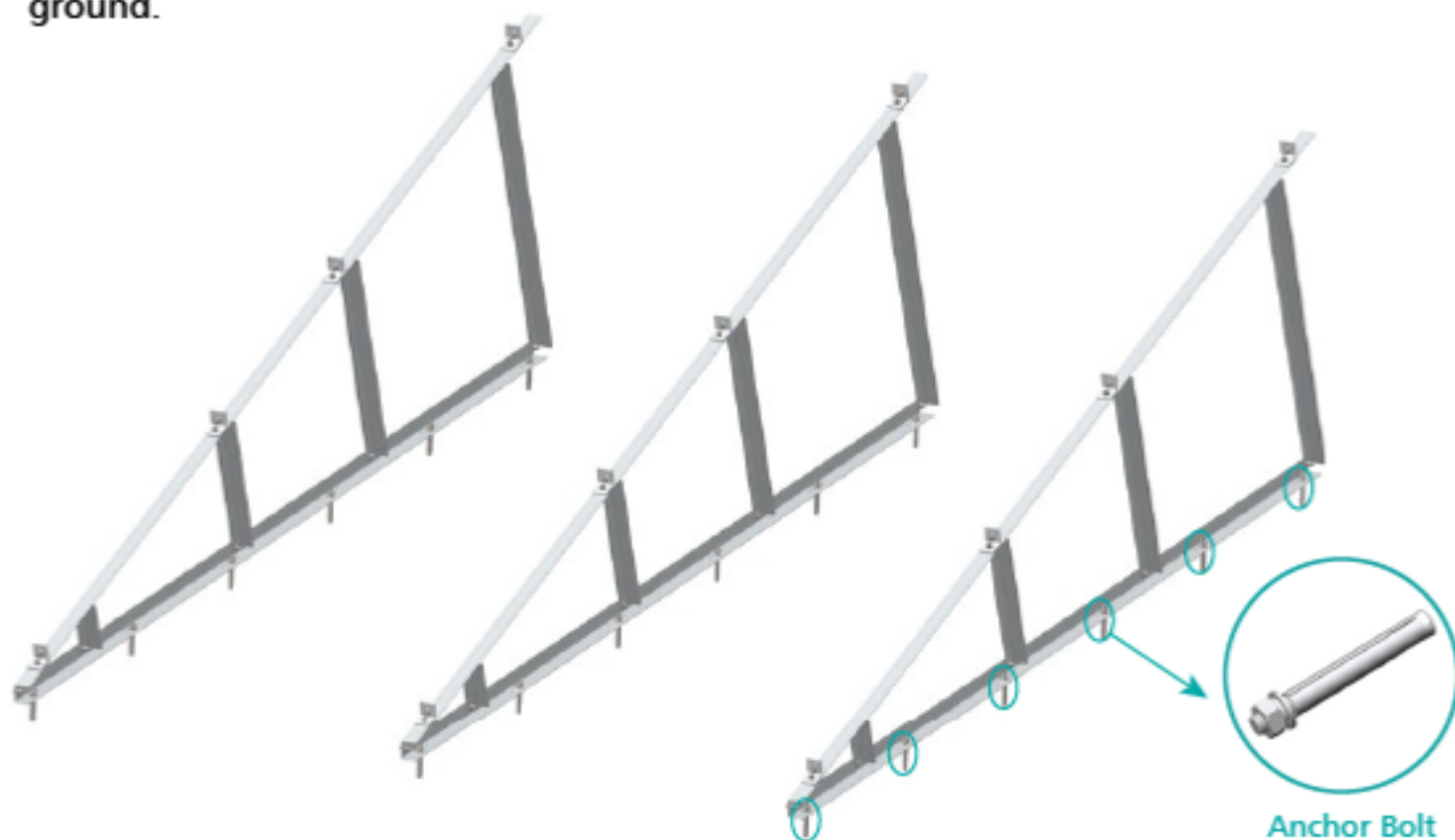


③ Adjusting the height of inner pipe to set tilt degree. Fasten the bolt once you get the tilt degree you need.

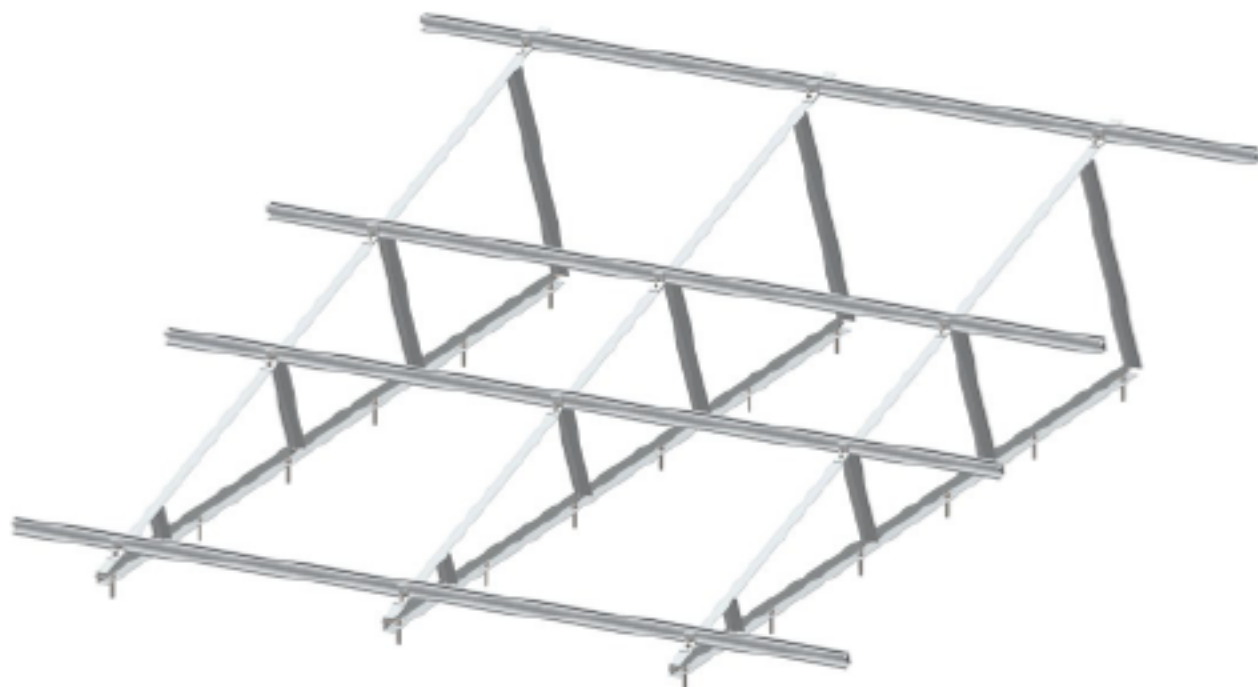


STEP 2 Triangle kit position and installation

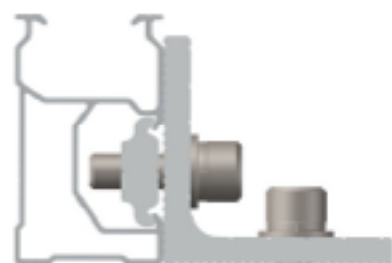
Position triangle kit as the site request, and fix the anchor bolt or screw into roof or ground.



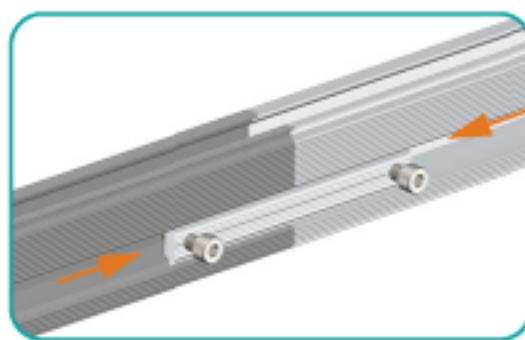
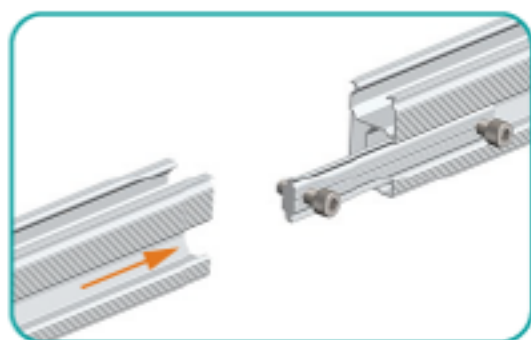
STEP 3 Rail installation



① Rail fixed on the L connector of triangle kit, put D nut into D rail slot and fasten the bolt firmly.

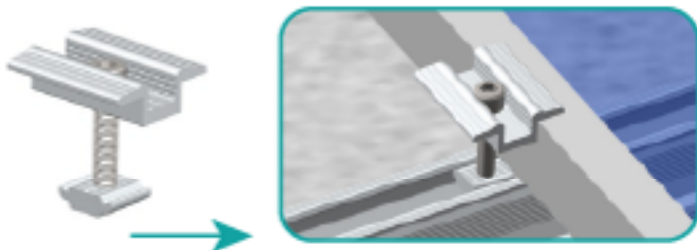
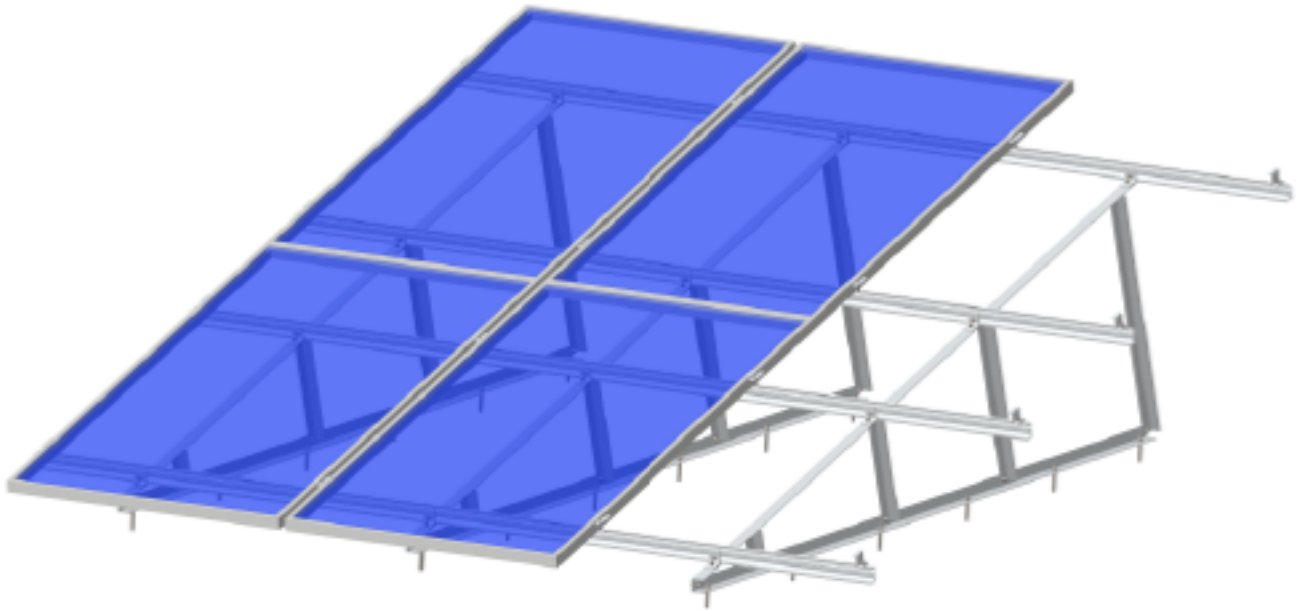


② Use rail splice to connect two rails for longer panel array.



STEP 4 Solar panel installation

① Using mid clamp and end clamp to fix solar panel. Put solar panel on the rail, tighten up the bolt of mid clamp and end clamp, then the panels are fixed.



① Mid clamp Installation
Fixed D nut of mid clamp into rail slot, and fasten firmly.

② End clamp Installation
Fixed D nut of mid clamp into rail slot, and fasten firmly.

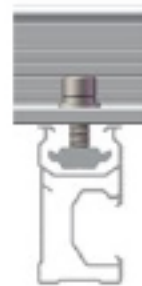
ART SIGN D nut series rail installation tips.



Position the one side of D nut into rail slot.



Put another side of D nut into rail slot.



Fasten the bolt.



Fasten the bolt firmly.