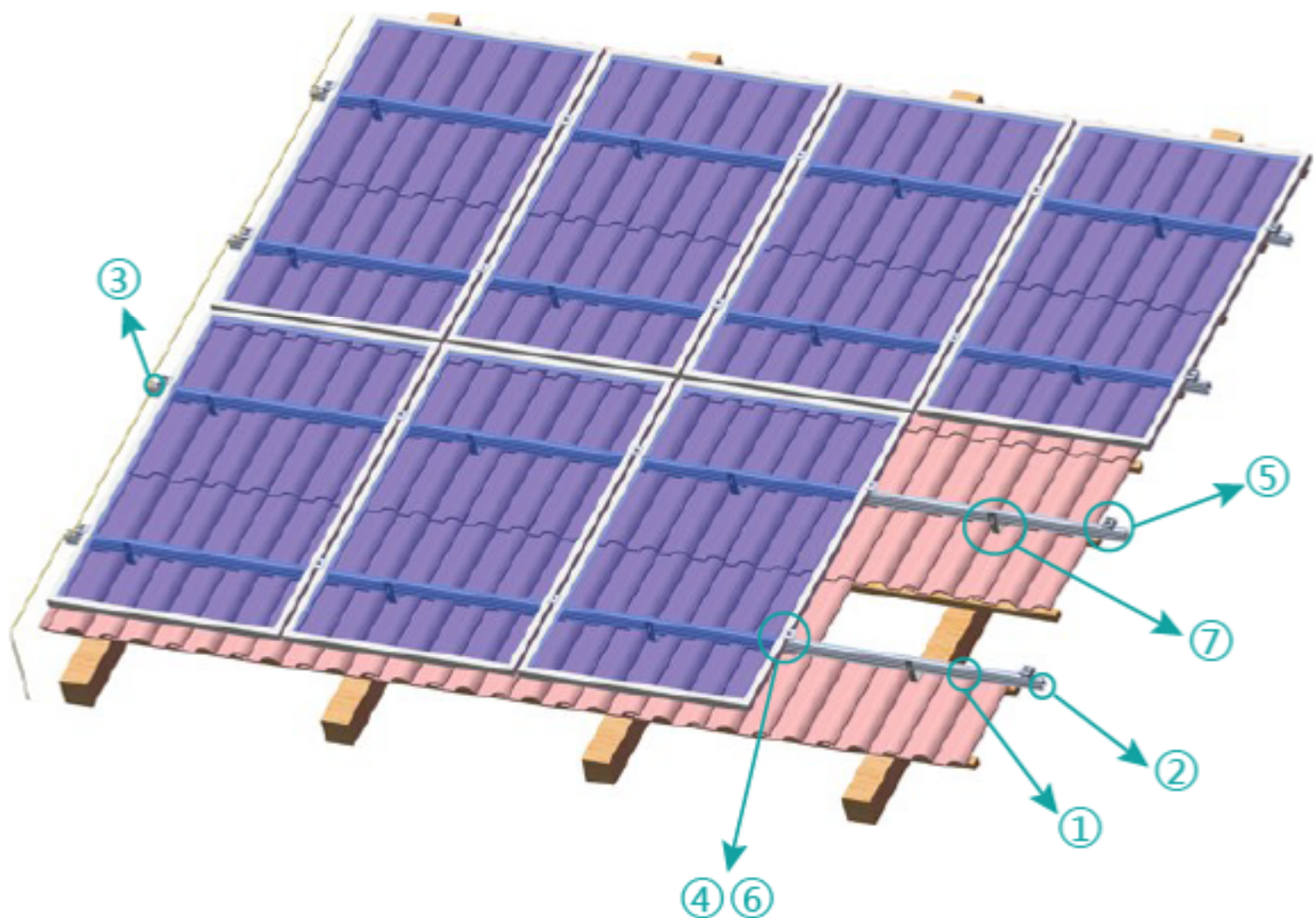




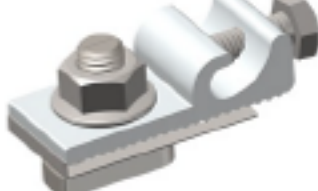

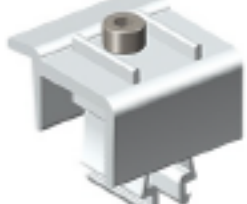
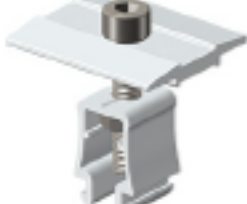



**XIAMEN ART SIGN CO.,LTD.**

**Tile Roof Mounting System**  
**Installation Guide - C Rail**



### ● Components List

	
<p><b>AS-CR-01</b> C rail 01# W31*H50mm Material: aluminum 6005-T5</p>	<p><b>AS-CRS-01</b> C rail 01# splice L=150mm Material: aluminum 6005-T5 Rivet 1pcs Application: aluminum rail-G nut series</p>
	
<p><b>AS-EK-01</b> Earthing kit 20mm width Material: aluminum 6005-T5 Cable Installation Diameter: within 6mm Cable Fasten Bolt: Hex Bolt M6*16</p>	<p><b>AS-EL-04</b> Earthing lug 56*40mm Material: SUS304</p>
	
<p><b>AS-AEC/AS-AEC-B(black color)</b> Adjustable end clamp 50mm width Material: aluminum 6005-T5 Application: Frame panel thickness 30-50mm</p>	<p><b>AS-AMC/AS-AMC-B(black color)</b> Adjustable mid clamp 50mm width Material: aluminum 6005-T5 Application: Frame panel thickness 30-50mm</p>

<p>⑦</p> 	
<p><b>AS-RH-01</b>  <b>Roof hook 1#</b>  <b>Self-tapping screw M6.3*80 3pcs</b>  <b>Application: tile / ceramic roof</b></p>	

### ● Installation Tools



Socket Wrench



Angle Grinder



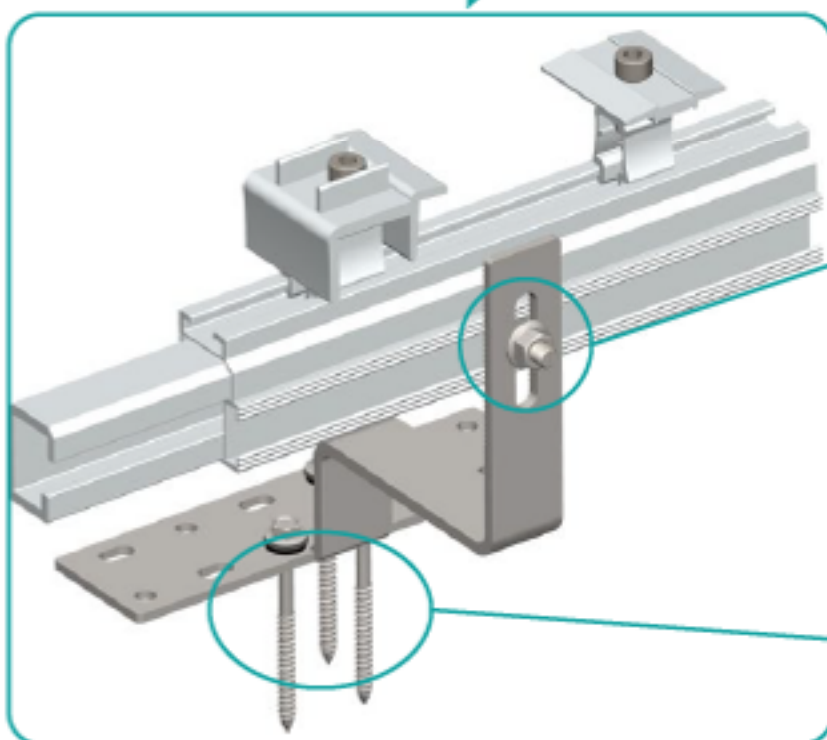
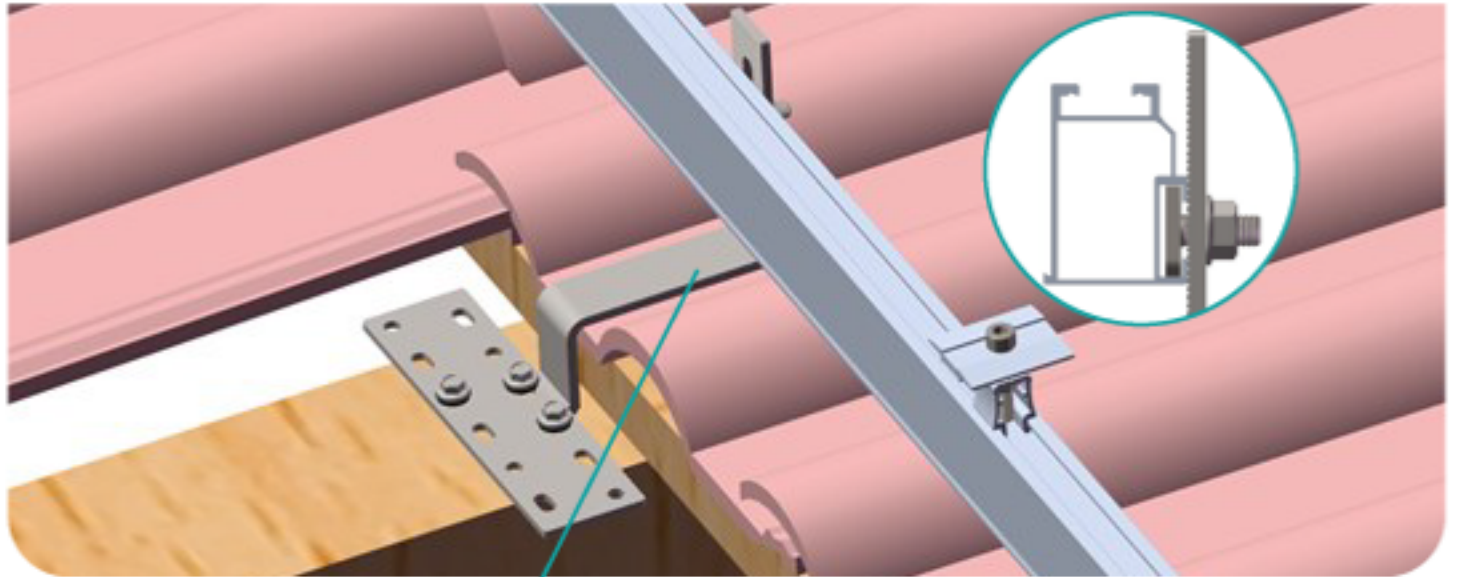
Tape Measure



Impact Driver

### Step 1: Hook Installation.

Mark the installation points, use the tool to fix hook on roof beam via self tapping screw M6.3\*80.

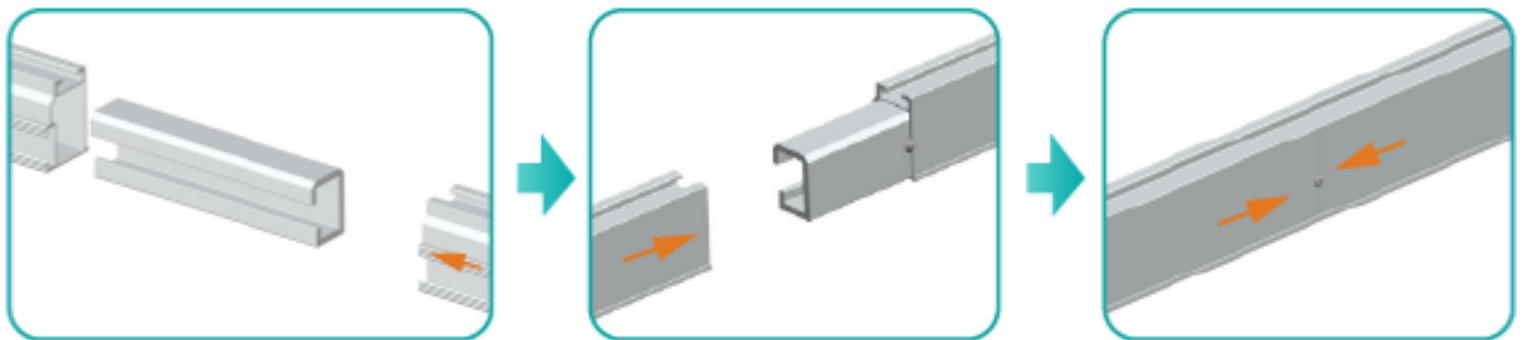
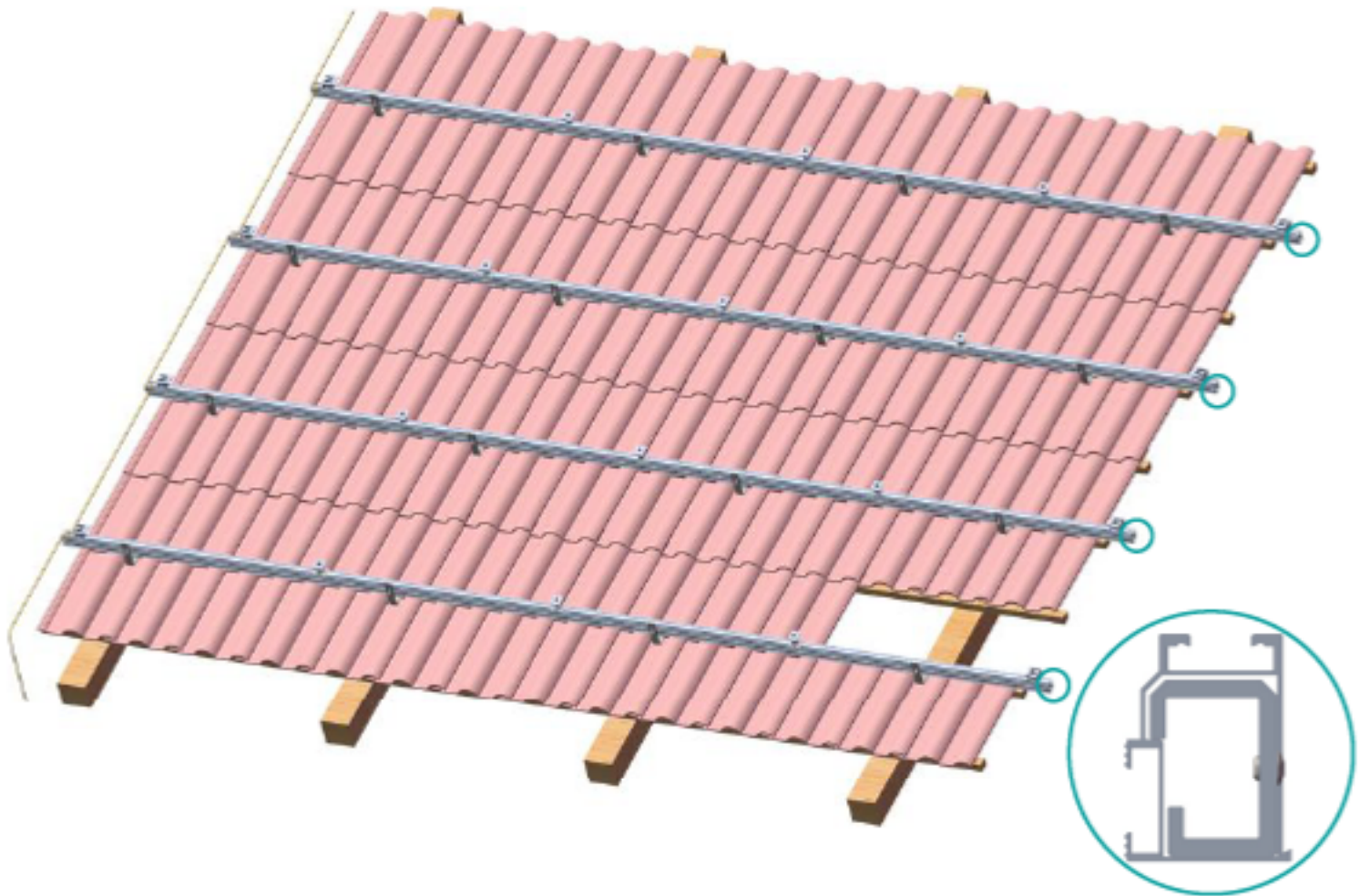


C rail install on the hook with T bolt.  
Insert T bolt head into C rail slot,  
then fasten the flange nut.

Fix the roof hook on the beam  
by self-tapping screw M6.3\*80

### STEP 2: Rail installation.

Insert the T bolt into rail slot, and then fasten tightly by using socket wrench.

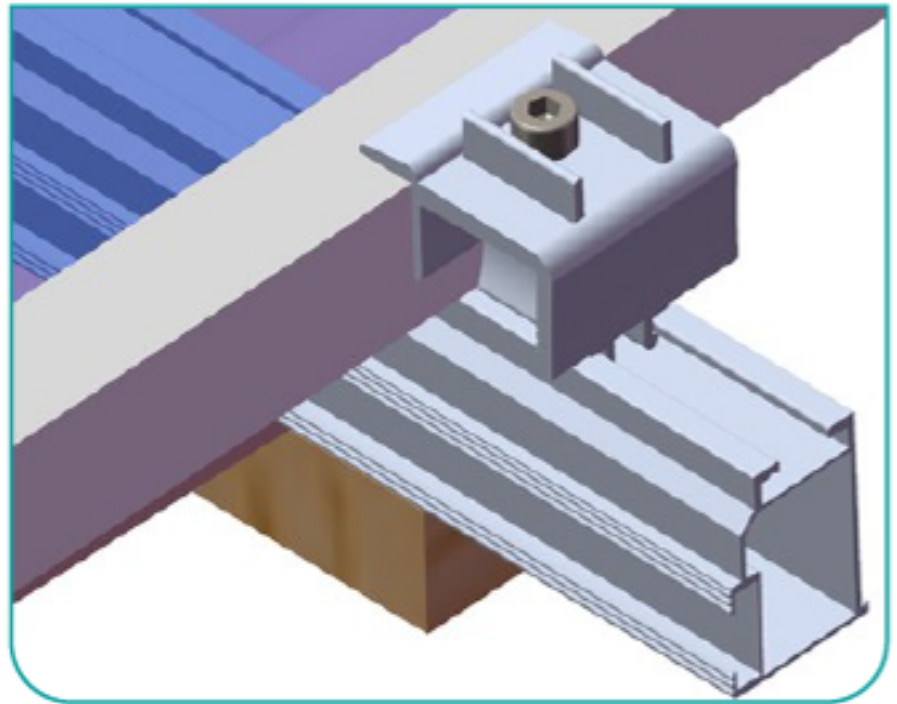
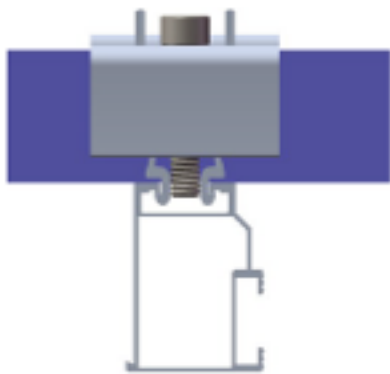


Rail splice for rails connection.

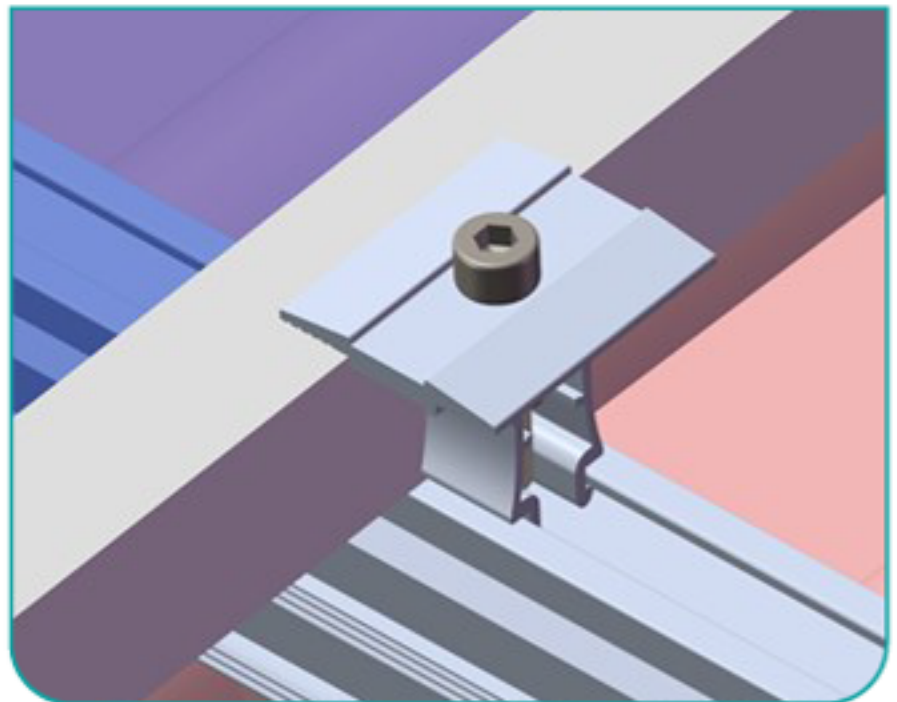
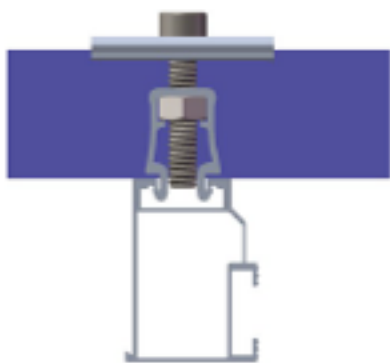
Fix one side of rail on half position of the rivet, and then insert another rail on the other half of rivet.

### STEP 3: Solar panel installation.

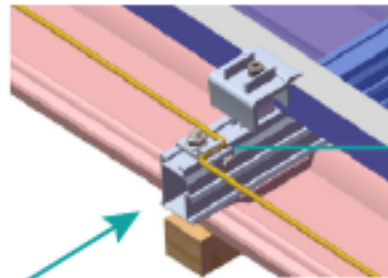
- ① Snap the n nut of end clamp into the rail slot, then use allen key to fasten the M8\*35 firmly.



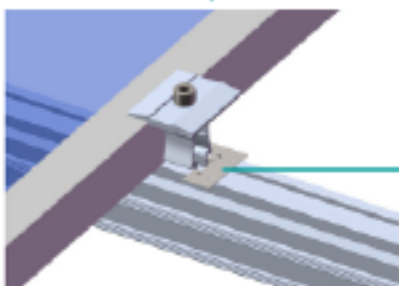
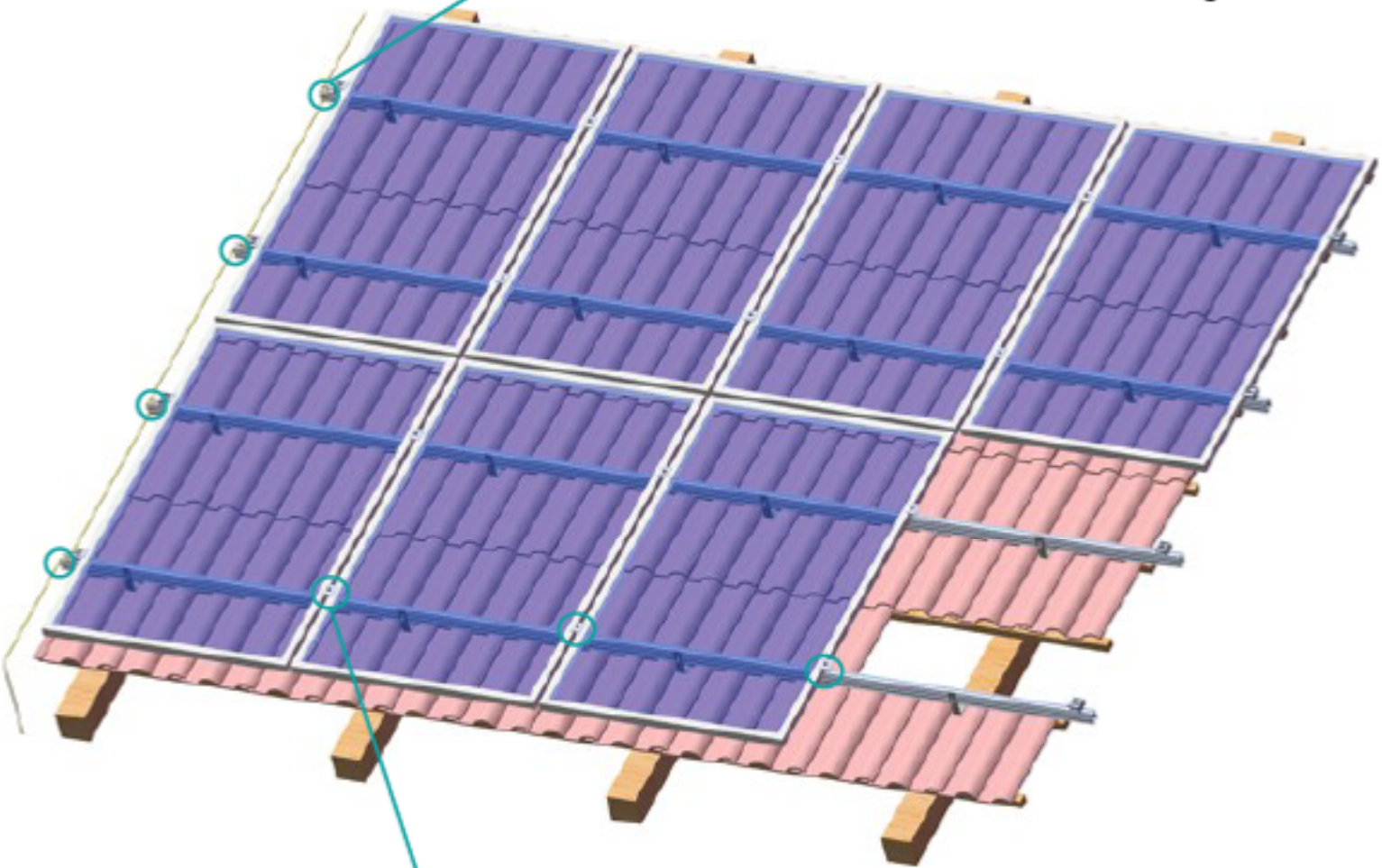
- ② Snap the n nut of mid clamp into the rail slot firstly, after installing another panel, fasten the screw firmly.



### STEP 4: Grounding components connection.



Earthing kit is used for grounding which is usually installed at the edge of rail.



Grounding lug is used for solar mid clamp which is usually installed between mid clamp and rail.