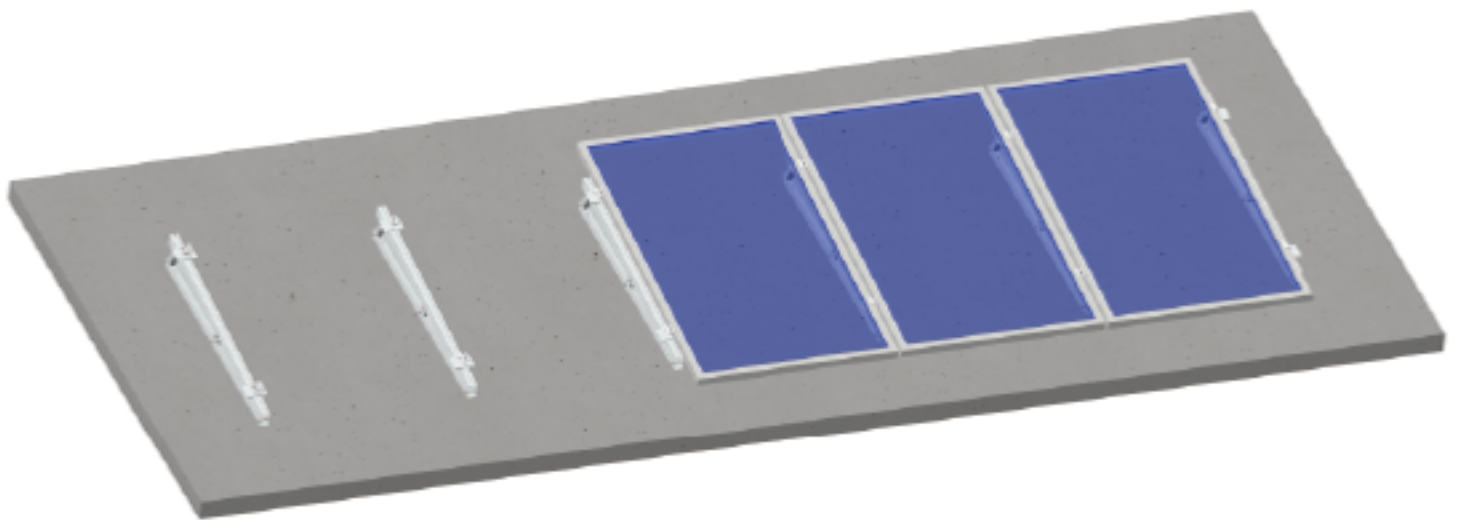




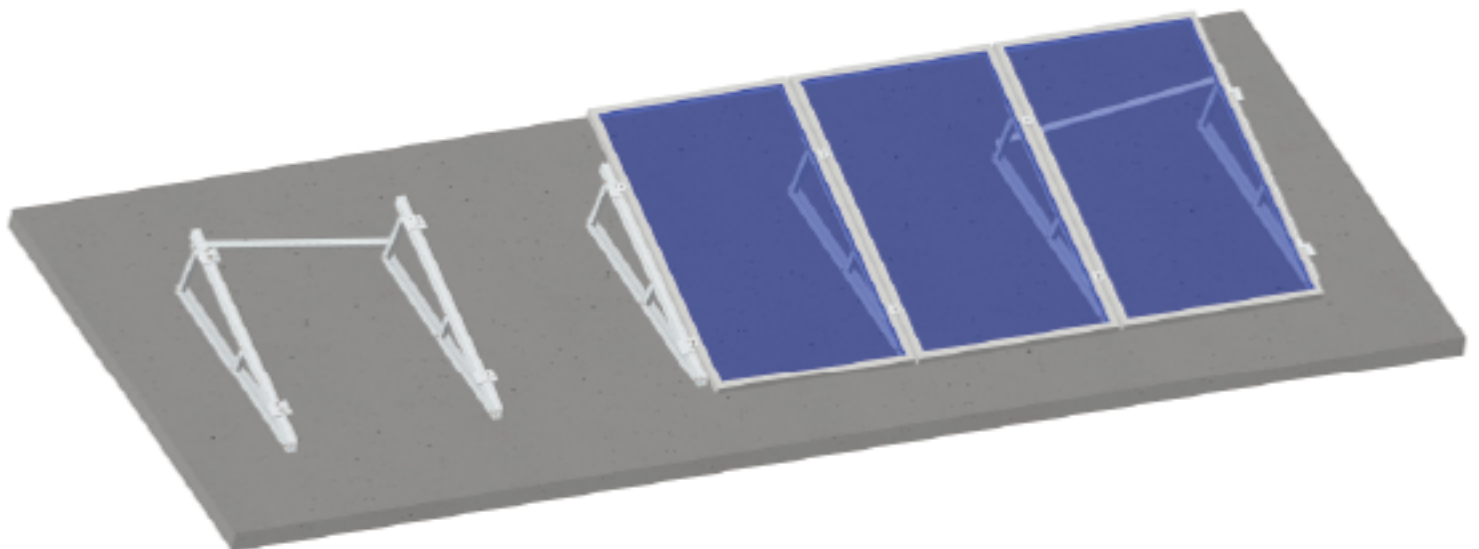
XIAMEN ART SIGN CO.,LTD.

U Beam Triangle Kit

Installation Guide



5° Triangle kit

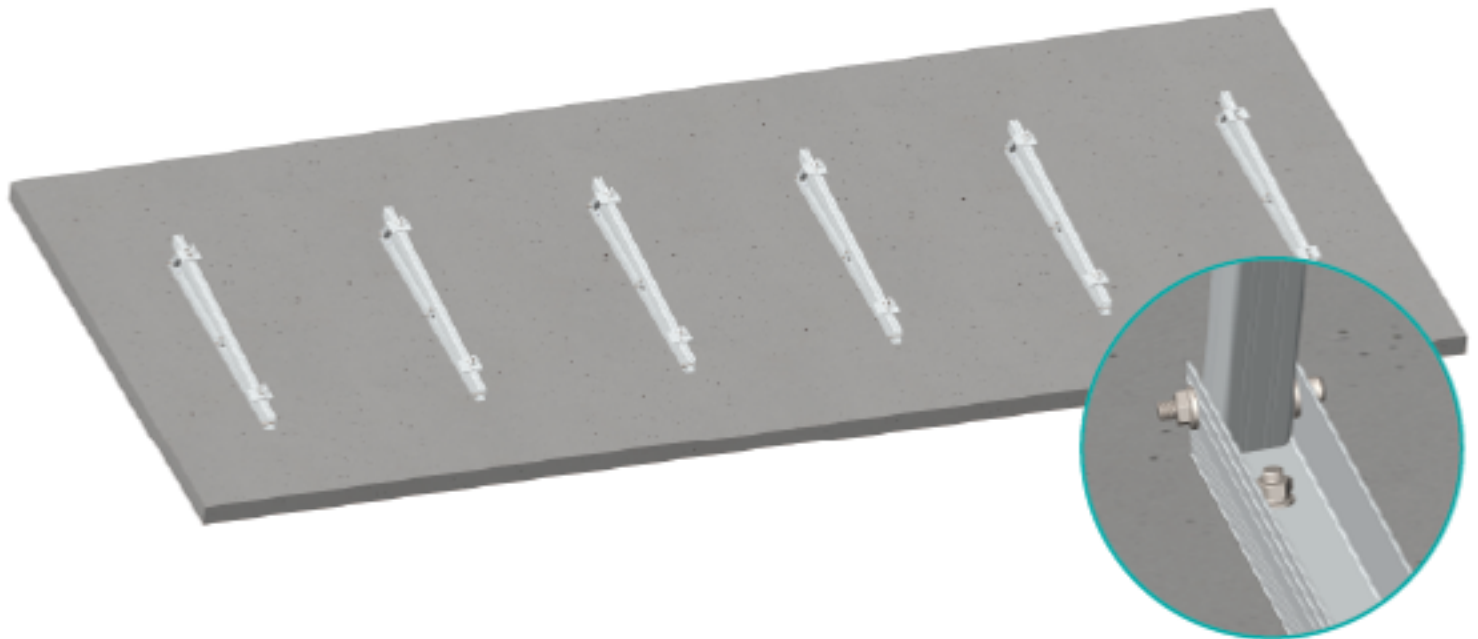


15° Triangle kit

● Components List

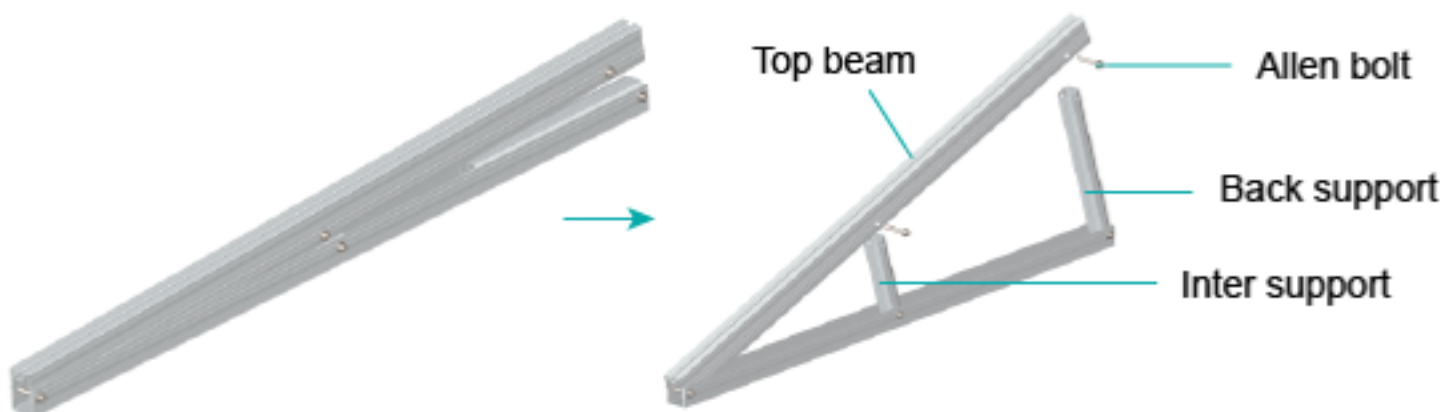
	
<p>AS-TK-03-D5, AS-TK-03-D15 U beam triangle kit L=1250/1250/142/83mm Anodized aluminium 6005-T5 Support the solar panels</p>	<p>AS-FTK-03-B-1064 Bracing L=1064mm Anodized aluminium 6005-T5 Reinforcing the triangle kit. M6.3*60 self-drilling bolt.</p>
	
<p>AS-TK-ED End clamp Aluminum clamp length: 50mm Anodized aluminium 6005-T5 Fix both end of panel per array Allen bolt M8*25</p>	<p>AS-TK-MD Mid clamp Aluminum clamp length: 50mm Earthing lug: 35×45mm Anodized aluminium 6005-T5 Fix 2 panels together Allen bolt M8*55</p>
	
<p>AS-BB-10-70 Anchor bolt M10×70 anchor bolt SUS 304</p>	<p>AS-SDB-6.3-60 Self-drilling bolt M6.3*60 Material:SUS 304</p>

STEP 1 Triangle kit position and installation



Anchor bolt

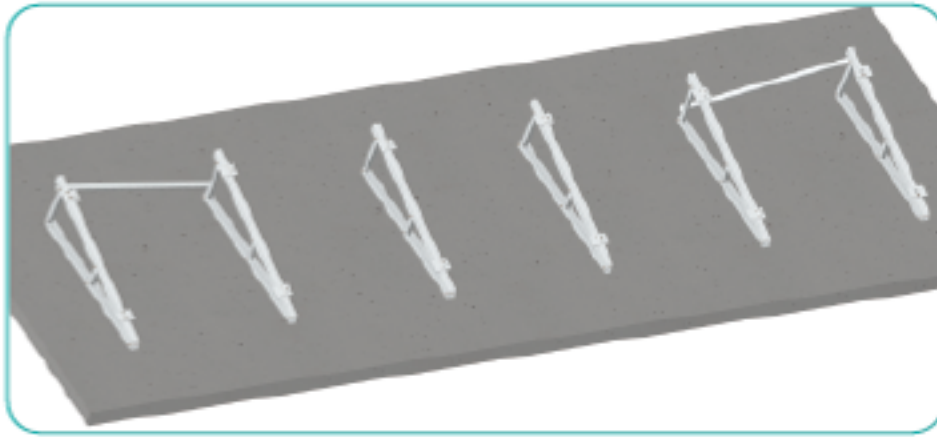
- ① Place the triangle kit on the ground as the site request, open the triangle kit and then fix the bolt into ground with anchor bolt.



Pre-assembled triangle kit

- ② Open the pre-assembled triangle kit, screw the back support and inter support on the base beam of triangle kit, and then fasten the allen bolts completely and firmly.

STEP 2 Bracing installation

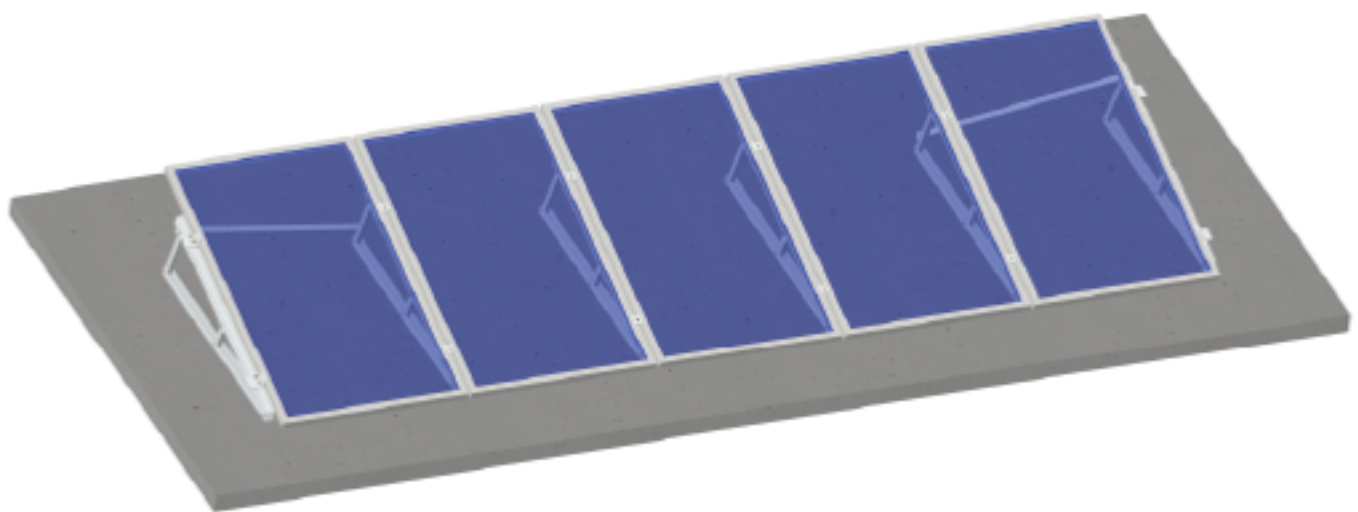


Bracing will be necessary to 15° Triangle kit.



After fastening the triangle kit, put the bracing on the back of triangle kit, and then fix it with self-drilling bolt M6.3*60.

STEP 3 Panel installation

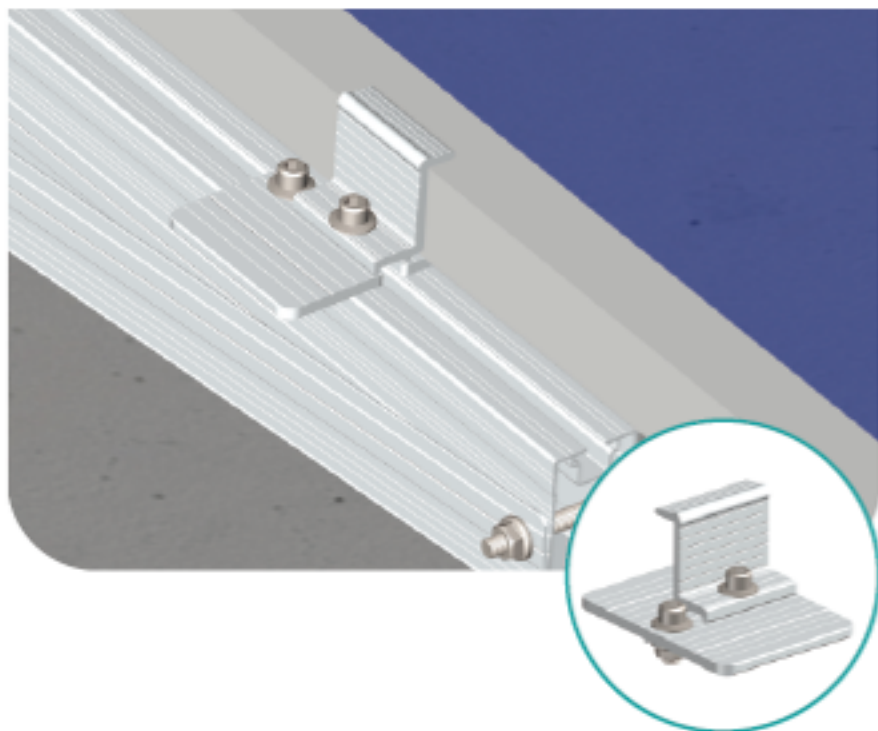


- ① Fix the edge of panel with end clamp, fasten allen bolt M8*20 into the slot of top beam, after putting the mid clamp, fasten bolts firmly.

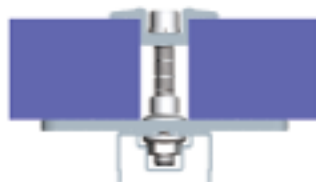


M8*20
Allen Bolt

M8*25
Allen Bolt

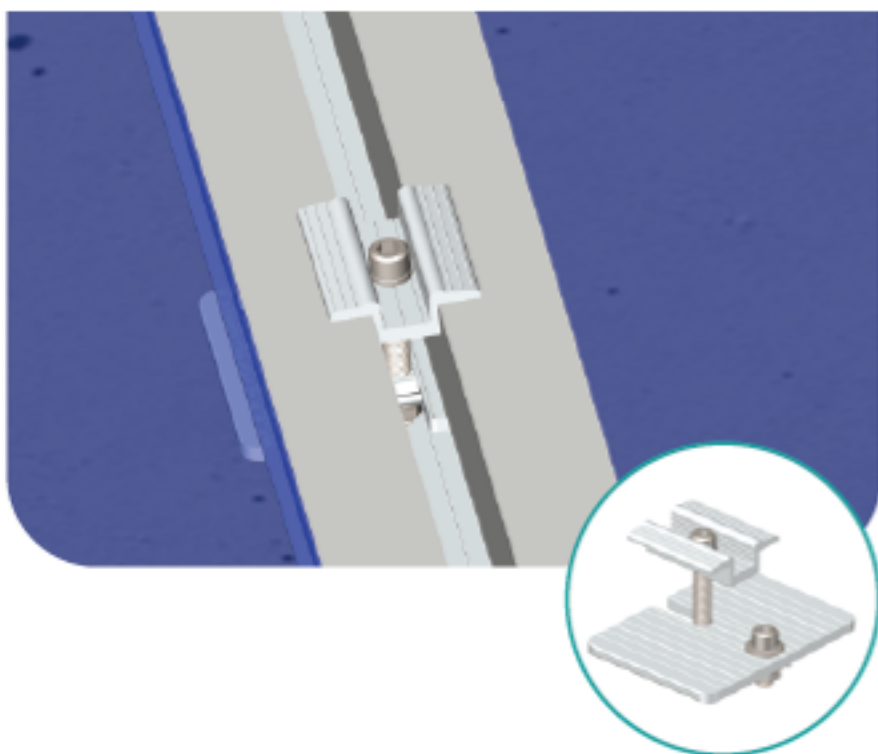


- ② Use mid clamp to connect panels, fasten allen bolt M8*20 into the slot of top beam, after putting the end clamp, fasten bolts firmly



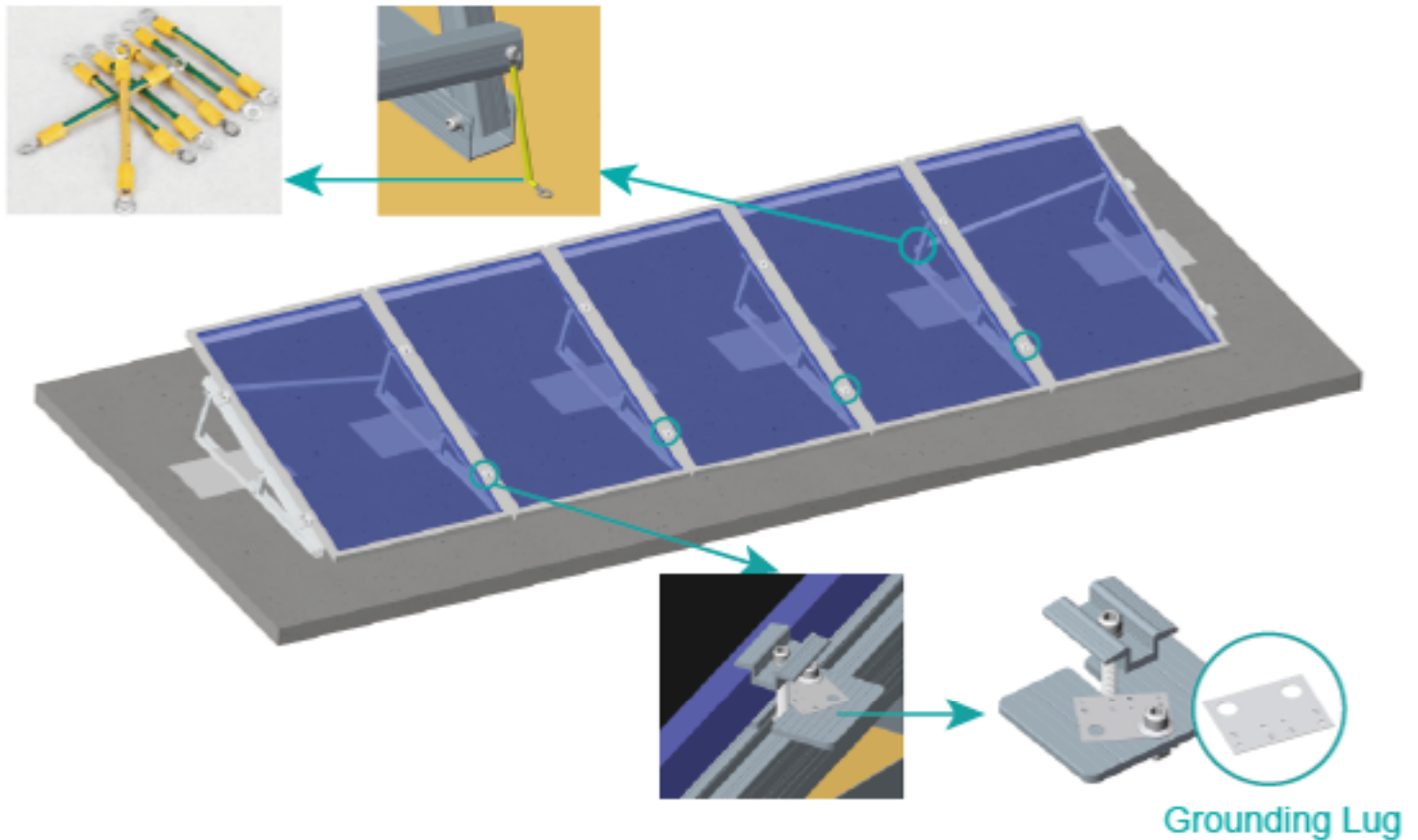
M8*20
Allen Bolt

M8*55
Allen Bolt



STEP 4 Grounding

- ① Earthing lug will be pre-assembled with the mid clamps.
- ② Self-drilling bolt M6.3*60 will help grounding.
- ③ For completing the grounding of mounting system, you need an extra copper line.



Grounding Lug

● Non-penetrating installation



If no penetrating the roof, ballasted steel sheet will be alternative.

