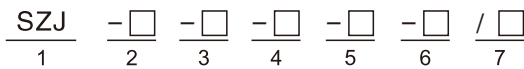


# SZJ Series

This product for electric vehicles, telecommunication equipment, engineering machinery, car batteries, electric forklift trucks, trains, ships, electronic control systems such as uninterruptible power supply.



## Model Implication



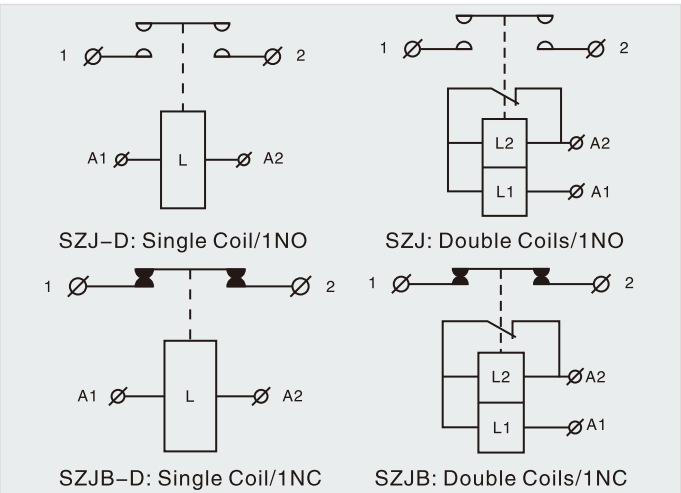
- 1 Product Type: SZJ-1NO; SZJB-1NC
- 2 Rated Current
- 3 Coil Type: None-Double Coil Structure; D-Single Coil Structure
- 4 Auxiliary Switch: None-Without Auxiliary Switch; S-With Auxiliary Switch
- 5 Mounting Bracket Type: None-M Horizontal (Default), E-Level Embedded, L(N)-Vertical, E1-Level Embedded Single Direction
- 6 Other Function Codes
- 7 Coil Rated Voltage: 6V, 12V, 24V, 36V, 48V, 60V, 72V, 84V, 120V, 150V, 220V etc.

## Technical Parameters

Coil Rated Voltage(DC V)	12V, 24V, 48V, 60V etc.
Contact Voltage(DC V)	≤60V
Typical Voltage Drop Across Contacts Per 100A	≥80mV
The Cooling Pull-In Voltage at (20±5)°C (V)	≥70%
The Cooling Drop-Out Voltage at (20±5)°C (V)	≥35%, <5%
Working Voltage Range of 40°C Coil	0.8-1.2Us
Drop-out Time (n/o contacts to open)	10-30ms
Pull-in Time (n/o contacts to close)	5-15ms
Maximum Bounce Time for Contact Connection	10ms
Maximum Bounce Time for Contact Disconnection	3ms
Insulation Resistance	20MΩ
Electric Strength to Resist	50Hz/60Hz 1000VAC 1min
Temperature Rise of Coil(K)	≤60
Temperature Rise on Outgoing Terminal(K)	≤65
Electrical Life	20,000 Times
Mechanical Life	300,000 Times
Work Specification	Continuous
Contact Material	Ag Alloy

Note:As regarding to the different using environments of customers which requires different focus of the functions,and in order to improve the comprehensive properties of our products,sayoon may adjust the coil parameters,temperature rise and so on. The above parameters are for reference only, For details, please refer to the guidelines for selection and use of the SAYOON DC contactor.

## Wiring Diagram



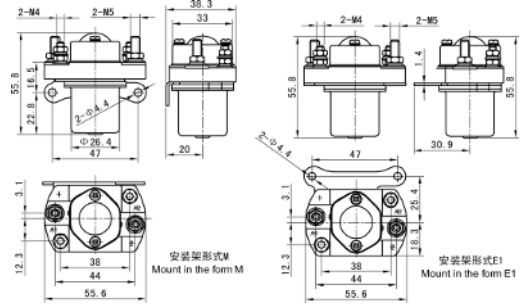
## Mechanical Capability & Usage Environment

Ambient Temperature	-25~+70°C
Relative Humidity	+20°C 98%
Vibration freq. at The Fixed Position	3G, 1 ~ 50Hz Amplitude 0.5mm
Concussion	(60-100) Times/Min, Acceleration ≤ 4g
Altitude	2000m
Installation direction	Random
International Protection	IP40 (According IEC60947)



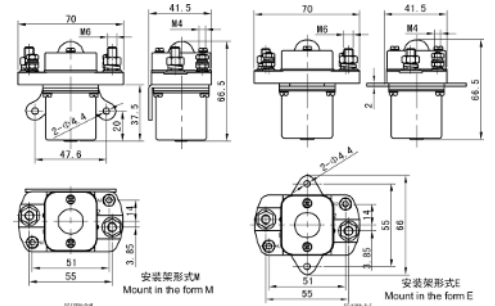
**SZJ50A-D**  
**SZJB50A-D**

Contact Form: 1NO; 1NC  
 Rated Current: 50A  
 Coil Type: Single Coil  
 Coil Power: 4-9W  
 Mounting Type: M Horizontal (Default),  
 E1 Horizontal Embedded Hole  
 Unidirectional, L (N) Vertical Type



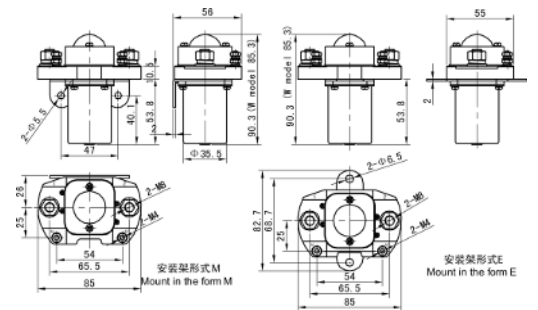
**SZJ100A-D**  
**SZJB100A-D**

Contact Form: 1NO; 1NC  
 Rated Current: 100A  
 Coil Type: Single Coil  
 Coil Power: 5-10W  
 Mounting Type: M Horizontal (Default),  
 E Level Embedded, L(N) Verical,  
 E1 Horizontal Embedded  
 Hole Unidirectional



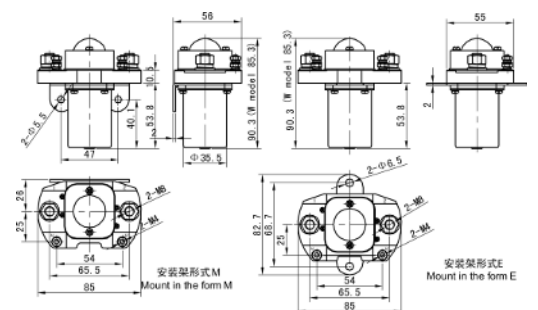
**SZJ200A-D**  
**SZJB200A-D**

Contact Form: 1NO; 1NC  
 Rated Current: 100A  
 Coil Type: Single Coil  
 Coil Power: 7-15W  
 Mounting Type: M Horizontal (Default),  
 E Level Embedded, X Oblique, L(N)  
 Verical, E1 Horizontal Embedded  
 Hole Unidirectional



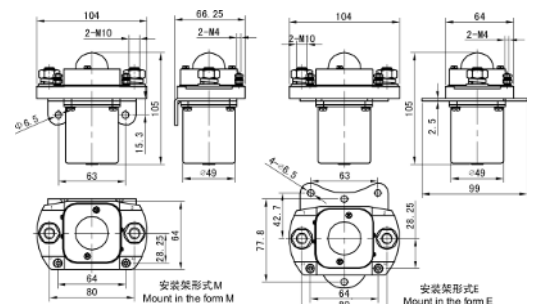
**SZJ300A-D**  
**SZJB300A-D**

Contact Form: 1NO; 1NC  
 Rated Current: 100A  
 Coil Type: Single Coil  
 Coil Power: 7-15W  
 Mounting Type: M Horizontal (Default),  
 E Level Embedded, X Oblique, L(N)  
 Verical, E1 Horizontal Embedded  
 Hole Unidirectional



**SZJ400A-D**

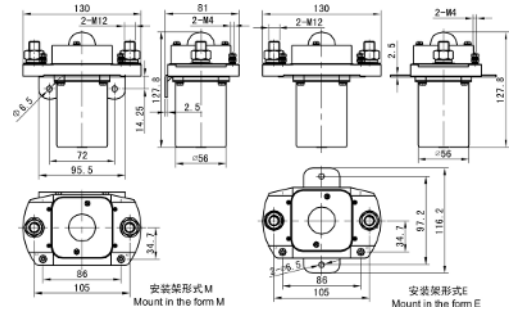
Contact Form: 1NO; 1NC  
 Rated Current: 100A  
 Coil Type: Single Coil  
 Coil Power: 9-18W  
 Mounting Type: M Horizontal (Default),  
 E Level Embedded, L(N) Verical,  
 E1 Horizontal Embedded Hole  
 Unidirectional





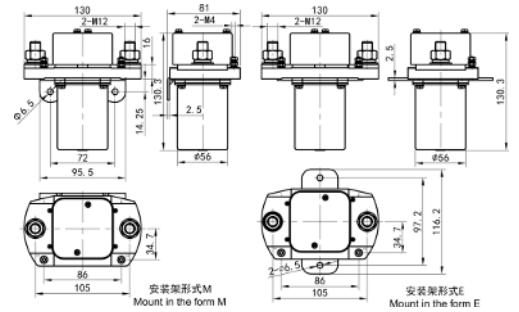
**SZJ600A-D**

Contact Form: 1NO  
 Rated Current: 600A  
 Coil Type: Single Coil  
 Coil Power: 12–22W  
 Mounting Type: M Horizontal (Default),  
 E Level Embedded, E1 Horizontal  
 Embedded Hole Unidirectional



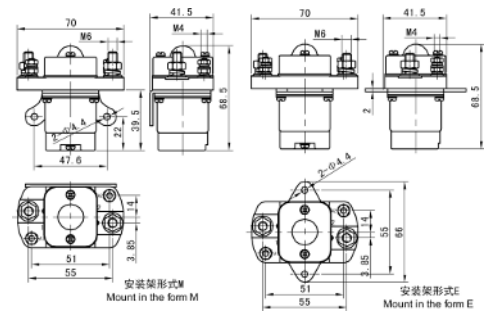
**SZJ800A-D**

Contact Form: 1NO  
 Rated Current: 800A  
 Coil Type: Single Coil  
 Coil Power: 12–22W  
 Mounting Type: M Horizontal (Default),  
 E Level Embedded, E1 Horizontal  
 Embedded Hole Unidirectional



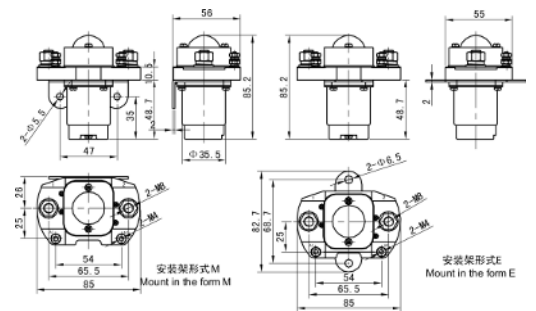
**SZJ100A**

Contact Form: 1NO  
 Rated Current: 100A  
 Coil Type: Double Coils  
 Coil Power: Start 120–170, Keep 3–8W  
 Mounting Type: M Horizontal (Default),  
 E Level Embedded, L(N) Verical, E1  
 Horizontal Embedded Hole  
 Unidirectional



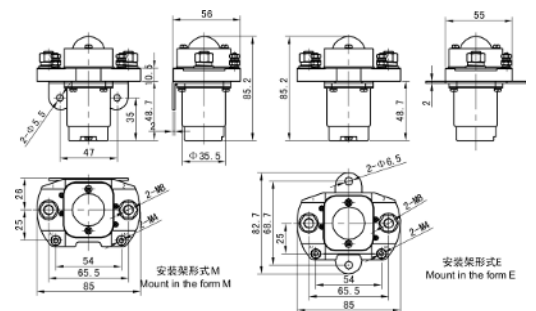
**SZJ200A**

Contact Form: 1NO  
 Rated Current: 200A  
 Coil Type: Double Coils  
 Coil Power: Start 120–170, Keep 4–10W  
 Mounting Type: M Horizontal (Default), E  
 Level Embedded, X Oblique, L(N)  
 Verical, E1 Horizontal Embedded  
 Hole Unidirectional



**SZJ300A**

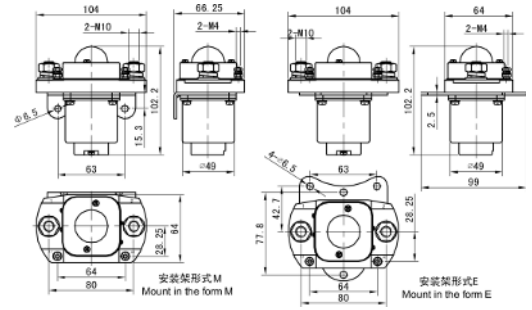
Contact Form: 1NO  
 Rated Current: 300A  
 Coil Type: Double Coils  
 Coil Power: Start 120–170, Keep 4–10W  
 Mounting Type: M Horizontal (Default), E  
 Level Embedded, X Oblique, L(N)  
 Verical, E1 Horizontal Embedded  
 Hole Unidirectional





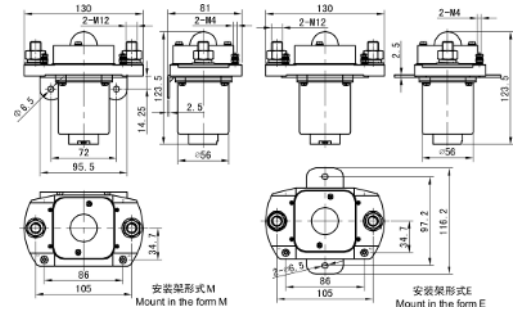
**SZJ400A**  
**SZJB400A**

Contact Form: 1NO; 1NC  
 Rated Current: 400A  
 Coil Type: Double Coils  
 Coil Power: NO: Start 120–170, Keep 5–11W;  
 NC: Start 200–240, Keep 3–7W  
 Mounting Type: M Horizontal (Default), E Level Embedded, L(N) Vertical, E1 Horizontal Embedded Hole Unidirectional, E2 Level Embedded



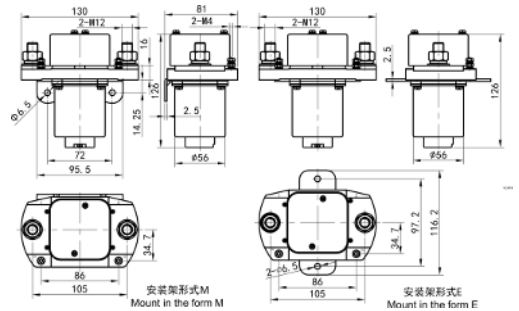
**SZJ600A**  
**SZJB600A**

Contact Form: 1NO; 1NC  
 Rated Current: 600A  
 Coil Type: Double Coils  
 Coil Power: NO: Start 120–170, Keep 6–13W;  
 NC: Start 200–240, Keep 3–7W  
 Mounting Type: M Horizontal (Default), E Level Embedded, E1 Horizontal Embedded Hole Unidirectional



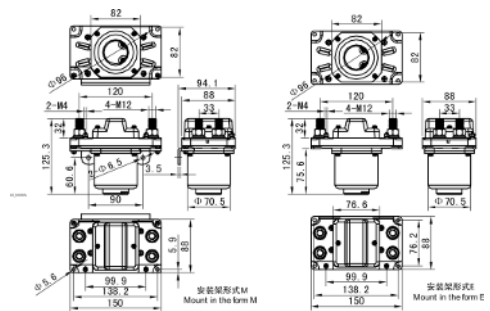
**SZJ800A**

Contact Form: 1NO  
 Rated Current: 800A  
 Coil Type: Double Coils  
 Coil Power: Start 120–170, Keep 6–12W  
 Mounting Type: M Horizontal (Default), E Level Embedded, E1 Horizontal Embedded Hole Unidirectional



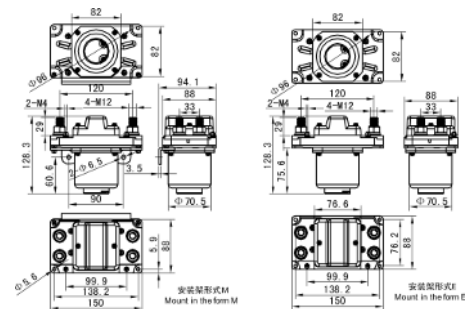
**SZJ1000A**

Contact Form: 1NO  
 Rated Current: 1000A  
 Coil Type: Double Coils  
 Coil Power: Start 140–190, Keep 9–18W  
 Mounting Type: M Horizontal (Default), E Level Embedded



**SZJ1500A**

Contact Form: 1NO  
 Rated Current: 1500A  
 Coil Type: Double Coils  
 Coil Power: Start 140–190, Keep 9–18W  
 Mounting Type: M Horizontal (Default), E Level Embedded

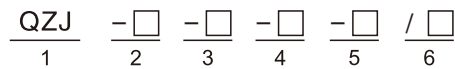


# QZJ Series

This product for electric vehicles, telecommunication equipment, engineering machinery, car batteries, electric forklift trucks, trains, ships, electronic control systems such as uninterruptible power supply.



## Model Implication



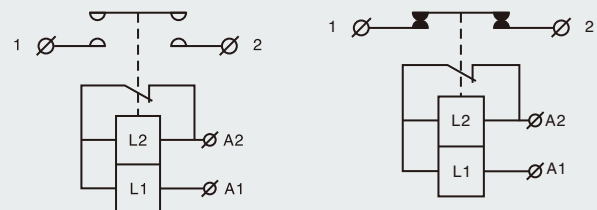
- 1 Product Type: QZJ-1NO; QZJB-1NC
- 2 Rated Current
- 3 Auxiliary Switch: None-Without Auxiliary Switch; S-With Auxiliary Switch
- 4 Mounting Bracket Type: None-M Horizontal (Default)
- 5 Other Function Codes
- 6 Coil Rated Voltage:6V, 12V, 24V, 36V, 48V, 60V, 72V, 84V, 96V etc.

## Technical Parameters

Coil Rated Voltage(DC V)	12V, 24V, 48V, 60V etc.
Contact Voltage(DC V)	≤150V
Typical Voltage Drop Across Contacts Per 100A	≥80mV
The Cooling Pull-In Voltage at (20 ± 5)°C (V)	≥70%
The Cooling Drop-Out Voltage at (20 ± 5)°C (V)	≥35%, <5%
Working Voltage Range of 40°C Coil	0.8-1.2Us
Drop-out Time (n/o contacts to open)	10-30ms
Pull-in Time (n/o contacts to close)	5-15ms
Maximum Bounce Time for Contact Connection	10ms
Maximum Bounce Time for Contact Disconnection	3ms
Insulation Resistance	20MΩ
Electric Strength to Resist	50Hz/60Hz 1000VAC 1min
Temperature Rise of Coil(K)	≤40
Temperature Rise on Outgoing Terminal(K)	≤65
Electrical Life	20,000 Times
Mechanical Life	300,000 Times
Work Specification	Continuous
Contact Material	Ag Alloy

Note:As regarding to the different using environments of customers which requires different focus of the functions,and in order to improve the comprehensive properties of our products,sayoon may adjust the coil parameters,temperature rise and so on. The above parameters are for reference only, For details, please refer to the guidelines for selection and use of the SAYOON DC contactor.

## Wiring Diagram



QZJ: Double Coils/1NO

QZJB: Double Coils/1NC

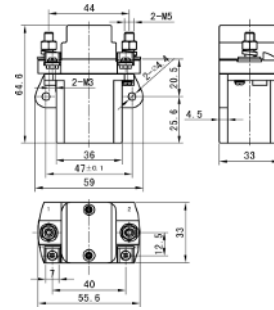
## Mechanical Capability & Usage Environment

Ambient Temperature	-25~+70°C
Relative Humidity	+20°C 98%
Vibration freq. at The Fixed Position	3G, 1 ~ 50Hz Amplitude 0.5mm
Concussion	(60-100) Times/Min, Acceleration ≤ 4g
Altitude	2000m
Installation direction	Random
International Protection	IP40 (According IEC60947)



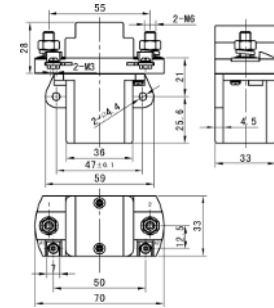
**QZJ50A-D**  
**QZJB50A-D**

Contact Form: 1NO; 1NC  
Rated Current: 50A  
Coil Type: Single Coil  
Coil Power: 5-9W  
Mounting Type: M Horizontal (Default)



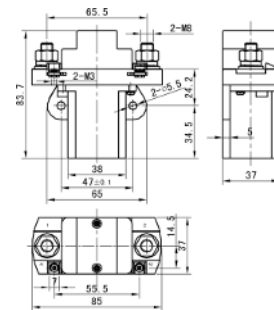
**QZJ100A**  
**QZJB100A**

Contact Form: 1NO; 1NC  
Rated Current: 100A  
Coil Type: Double Coils  
Coil Power: Start 35-65, Keep 2-5W  
Mounting Type: M Horizontal (Default)



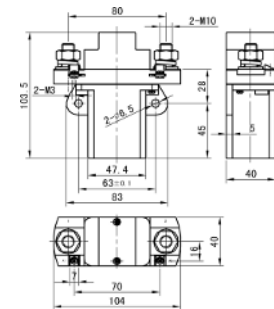
**QZJ200A**  
**QZJB200A**

Contact Form: 1NO; 1NC  
Rated Current: 200A  
Coil Type: Double Coils  
Coil Power: Start 35-65, Keep 2-6W  
Mounting Type: M Horizontal (Default)



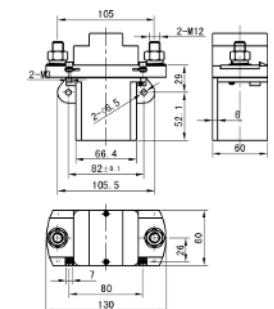
**QZJ400A**  
**QZJB400A**

Contact Form: 1NO; 1NC  
Rated Current: 400A  
Coil Type: Double Coils  
Coil Power: Start 35-65, Keep 3-8W  
Mounting Type: M Horizontal (Default)



**QZJ600A**  
**QZJB600A**

Contact Form: 1NO; 1NC  
Rated Current: 600A  
Coil Type: Double Coils  
Coil Power: Start 35-65, Keep 4-10W  
Mounting Type: M Horizontal (Default)

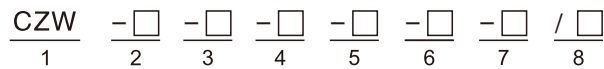


# CZW Series

This product for electric vehicles, telecommunication equipment, engineering machinery, car batteries, electric forklift trucks, trains, ships, electronic control systems such as uninterruptible power supply.



## Model Implication



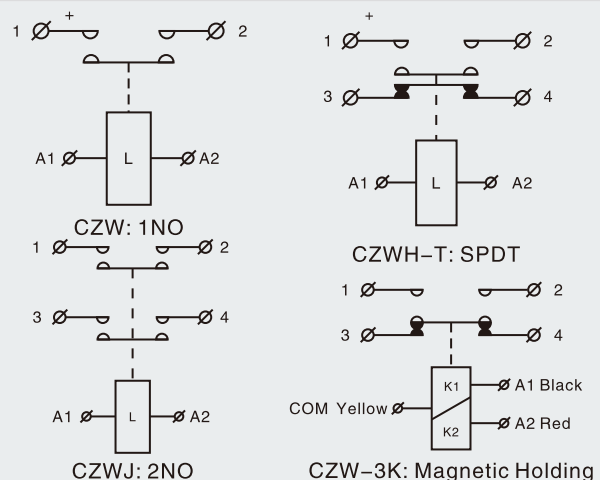
1	Product Type: CZW:1NO; CZWB:1NC; CZWH:1NO1NC; CZWH-T:SPDT; CZWH-2T:DPDT; CZWT:DPDT
2	Rated Current
3	Auxiliary Switch: None –Without Auxiliary Switch; S – With Auxiliary Switch
4	Magnetic Blowouts
5	Magnetic Holding Structure : K–Two joint Magnetic Retention; 2K–Three Joint Magnetic Retention
6	Mounting Bracket Type: M Horizontal (Default), 1L One Vertical, 2L Two Vertical
7	I–With Suppressor Diode, R–With Pre–Charged Resistance, U–Increase Rated Current 300A, CO–Continuous, IN–Intermittent
8	Coil Rated Voltage: 6V, 12V, 24V, 36V, 48V, 60V, 72V, 84V, 120V, 150V, 220V etc.

## Technical Parameters

Coil Rated Voltage(DC V)	12V, 24V, 48V, 60V etc.
Contact Voltage(DC V)	≤80V
Typical Voltage Drop Across Contacts Per 100A	≥80mV
The Cooling Pull-In Voltage at (20 ± 5)°C (V)	≥70%
The Cooling Drop-Out Voltage at (20±5)°C (V)	≥35%, <5%
Working Voltage Range of 40°C Coil	0.8–1.2Us
Drop-out Time (n/o contacts to open)	10–50ms
Pull-in Time (n/o contacts to close)	10–50ms
Maximum Bounce Time for Contact Connection	10ms
Maximum Bounce Time for Contact Disconnection	3ms
Insulation Resistance	20MΩ
Electric Strength to Resist	50Hz/60Hz 1000VAC 1min
Temperature Rise of Coil(K)	≤60
Temperature Rise on Outgoing Terminal(K)	≤65
Electrical Life	20,000 Times
Mechanical Life	300,000 Times
Work Specification	Continuous or Intermittent
Contact Material	Ag Alloy

Note:As regarding to the different using environments of customers which requires different focus of the functions,and in order to improve the comprehensive properties of our products,sayoon may adjust the coil parameters,temperature rise and so on. The above parameters are for reference only, For details, please refer to the guidelines for selection and use of the SAYOON DC contactor.

## Wiring Diagram



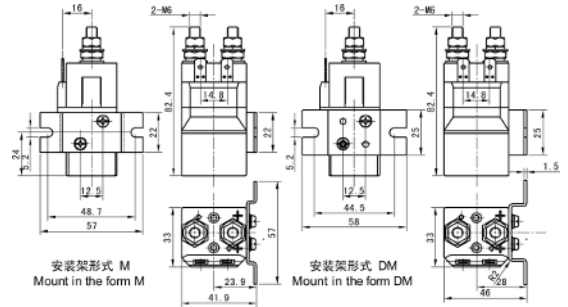
## Mechanical Capability & Usage Environment

Ambient Temperature	-25~+70°C
Relative Humidity	+20°C 98%
Vibration freq. at The Fixed Position	3G, 1 ~ 50Hz Amplitude 0.5mm
Concussion	(60–100) Times/Min, Acceleration ≤ 4g
Altitude	2000m
Installation direction	Random
International Protection	IP40 (According IEC60947)



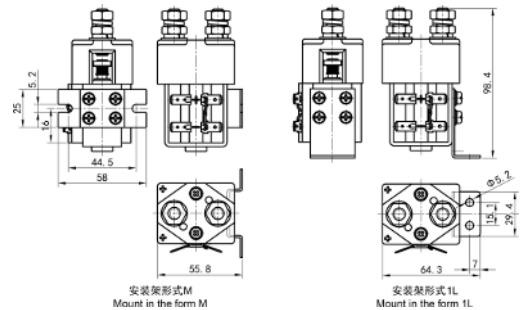
**CZW50A**

Contact Form: 1NO; Magnetic Holding  
 Rated Current:50A  
 Contact Voltage: ≤60V  
 Coil Power: 5–10W  
 Mounting Type: M Horizontal (Default),  
 DM Horizontal, 2L Two Vertical, 2LM  
 Two Horizontal, 1L One Vertical,  
 1LW One Vertical Horizontal



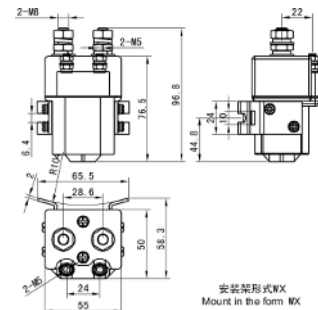
**CZW100A**

Contact Form: 1NO; Magnetic Holding  
 Rated Current:100A  
 Contact Voltage: ≤80V  
 Coil Power: 8–13W  
 Mounting Type: M Horizontal (Default),  
 1L One Vertical, 2L Two Vertical, X  
 Oblique, 1LW One Vertical  
 Horizontal, 2N Rear



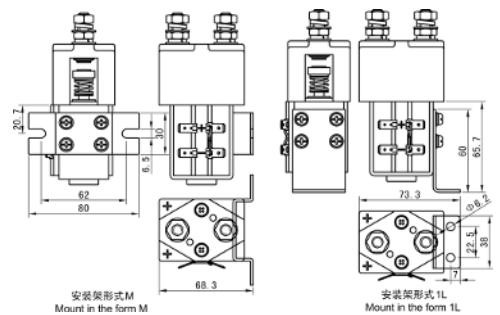
**CZWP100A**

Contact Form: 1NO  
 Rated Current:100A  
 Contact Voltage: ≤80V  
 Coil Power: 8–25W  
 Mounting Type: M Horizontal (Default),  
 X Oblique, 1L One Vertical, 2L Two  
 Vertical, 2N Rear, 2KRear Wide



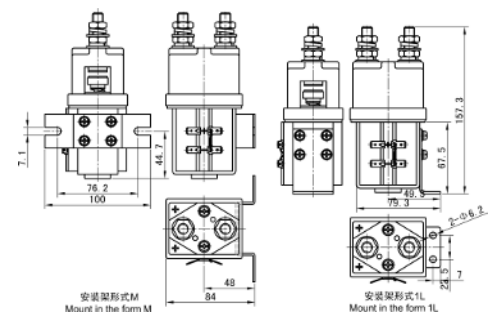
**CZW200A**

Contact Form: 1NO; Magnetic Holding  
 Rated Current:200A  
 Contact Voltage: ≤80V  
 Coil Power: 12–18W  
 Mounting Type: M Horizontal (Default),  
 1L One Vertical, 2L Two Vertical



**CZW400A**

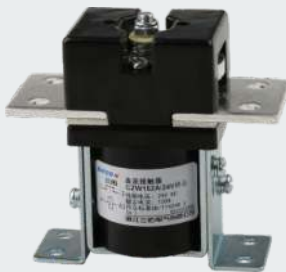
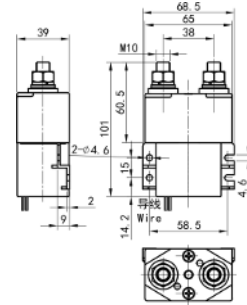
Contact Form: 1NO; Magnetic Holding  
 Rated Current:400A  
 Contact Voltage: ≤80V  
 Coil Power: 13–30W  
 Mounting Type: M Horizontal (Default),  
 1L One Vertical, 2L Two Vertical





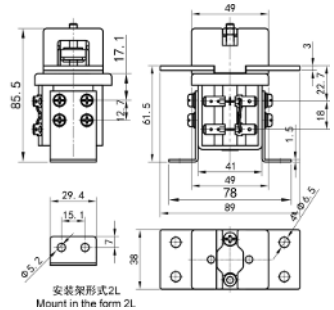
**CZW400A-3K**

Contact Form: Magnetic Holding  
 Rated Current: 40A  
 Contact Voltage: ≤60V  
 Coil Power: Start 18-30, Keep 0W  
 Mounting Type: M Horizontal (Default)



**CZW152A~352A**

Contact Form: 1NO; Magnetic Holding  
 Rated Current: 150A; 250A; 350A  
 Contact Voltage: ≤60V  
 Coil Power: 14-23W  
 Mounting Type: 2L Two Vertical(Default),  
 X Oblique, M Horizontal 1L One  
 Vertical, 1LW One Vertical Horizontal,  
 2N Rear(152A, 252A)

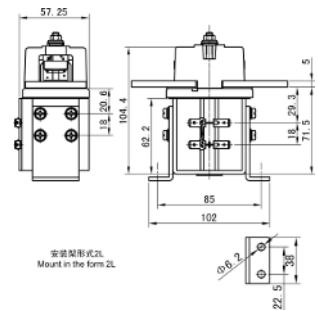


安装架形式2L  
Mount in the form 2L



**CZW600A**

Contact Form: 1NO; Magnetic Holding  
 Rated Current: 600A  
 Contact Voltage: ≤80V  
 Coil Power: 20-45W  
 Mounting Type: 2L Two Vertical(Default),  
 M Horizontal

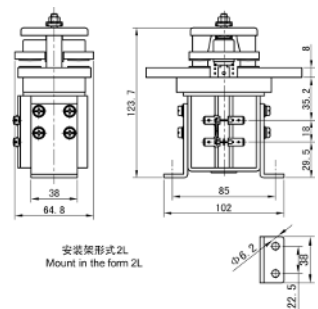


安装架形式2L  
Mount in the form 2L



**CZW800A**

Contact Form: 1NO; Magnetic Holding  
 Rated Current: 800A  
 Contact Voltage: ≤80V  
 Coil Power: 20-45W  
 Mounting Type: 2L Two Vertical(Default),  
 M Horizontal

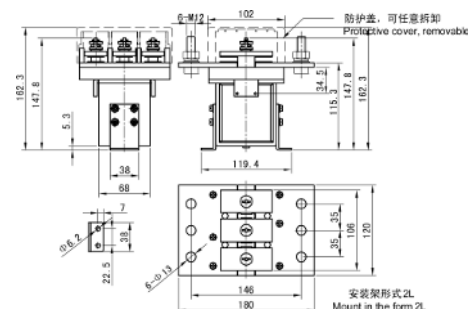


安装架形式2L  
Mount in the form 2L



**CZW1600A~3000A**

Contact Form: 1NO; Magnetic Holding  
 Rated Current: 1600A; 2000A; 3000A  
 Contact Voltage: ≤80V  
 Coil Power: 20-45W  
 Mounting Type: 2L Two Vertical(Default),  
 M Horizontal



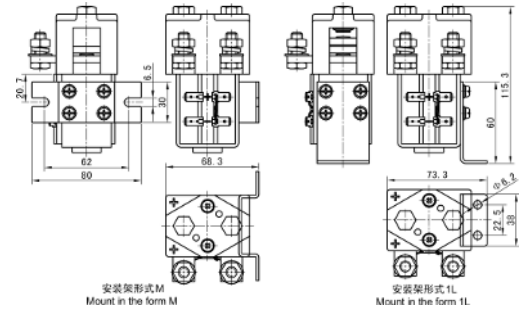
防护盖, 可任意拆卸  
Protective cover, removable

安装架形式2L  
Mount in the form 2L



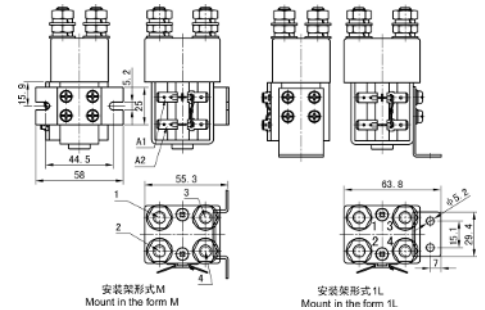
**CZWB Series**

Contact Form: 1NC; 2NC  
 Rated Current: 100A; 200A; 400A  
 Contact Voltage:  $\leq 80V$   
 Coil Power: 14-23W; 20-35W; 22-40W  
 Mounting Type: M Horizontal (Default),  
 1L One Vertical, 2L Two Vertical, X  
 Oblique, 2N Rear(100A)



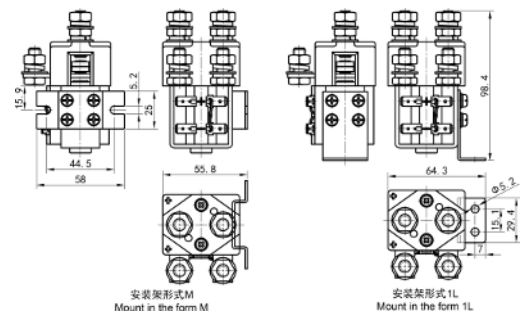
**CZWJ Series**

Contact Form: 2NO; 4NO  
 Rated Current: 100A; 200A  
 Contact Voltage:  $\leq 80V$   
 Coil Power: 14-23W; 20-35W  
 Mounting Type: M Horizontal (Default),  
 1L One Vertical, 2L Two Vertical, X  
 Oblique, 2N Rear(100A)



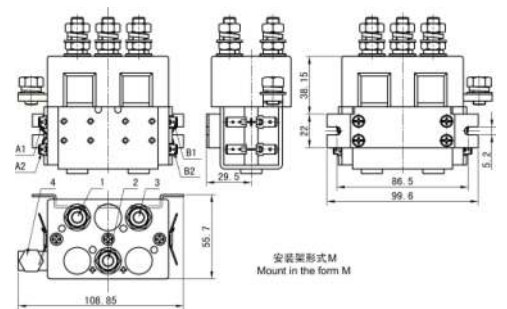
**CZWH Series**

Contact Form: 1NO1NC; SPDT; DPDT  
 Rated Current: 100A; 200A; 400A  
 Contact Voltage:  $\leq 80V$   
 Coil Power: 14-23W; 20-35W; 22-40W  
 Mounting Type: M Horizontal (Default),  
 1L One Vertical, 2L Two Vertical, X  
 Oblique, 2N Rear(100A)



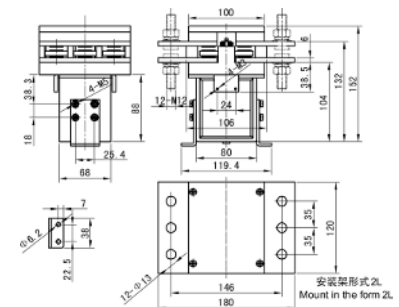
**CZWT Series**

Contact Form: DPDT  
 Rated Current: 150A; 200A  
 Contact Voltage:  $\leq 80V$   
 Coil Power: 14-23W; 20-35W  
 Mounting Type: M Horizontal (Default),  
 2L Two Vertical, 4L Four Vertical,  
 N Multi-Functional Vertical



**CZWH1600A~3000A-K**

Contact Form: 2NO 2NC; Magnetic Holding  
 Rated Current: 1600A; 2000A; 3000A  
 Contact Voltage:  $\leq 60V$   
 Coil Power: K Start 30-42; 2KStart 60-82,  
 Keep 0W Mounting Type: 2L Two  
 Vertical(Default), M Horizontal,  
 1L One Vertical



# SDC15 Series

The product has one normally open contact, which is suitable for electric control systems such as electric pump, oil pump, lifting coaming, construction machinery, crane and so on.



## Model Implication

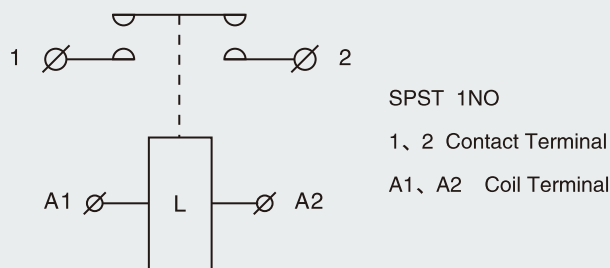
SDC15  $\frac{-\square}{1}$   $\frac{-\square}{2}$   $\frac{-\square}{3}$   $\frac{-\square}{4}$  /  $\frac{\square}{6}$

1	Product Type
2	Rated Current
3	Mounting Bracket Type: None –H Arc (Default), M Horizontal
4	Coil Outgoing Mode: P: 6.3 Insert, W: M5 Screw
5	INT Intermittent(Default); CO Continuous
6	Coil Rated Voltage: 6V, 12V, 24V, 36V, 48V, 60V, 72V, 84V, 120V, 150V, 220V etc.

## Technical Parameters

Coil Rated Voltage(DC V)	12V, 24V, 48V,60V etc.
Contact Voltage(DC V)	≤60V
Typical Voltage Drop Across Contacts Per 100A	≥80mV
The Cooling Pull-In Voltage at (20 ± 5)°C (V)	≥70%
The Cooling Drop-Out Voltage at (20±5)°C (V)	≥35%, <5%
Working Voltage Range of 40°C Coil	0.8–1.2Us
Drop-out Time (n/o contacts to open)	30ms
Pull-in Time (n/o contacts to close)	5ms
Maximum Bounce Time for Contact Connection	10ms
Maximum Bounce Time for Contact Disconnection	3ms
Insulation Resistance	20MΩ
Electric Strength to Resist	50Hz/60Hz 1000VAC 1min
Temperature Rise of Coil(K)	≤80
Temperature Rise on Outgoing Terminal(K)	≤65
Electrical Life	20,000 Times
Mechanical Life	300,000 Times
Work Specification	Intermittent
Contact Material	Ag Alloy

## Wiring Diagram



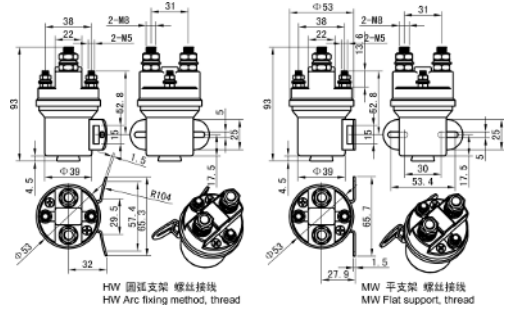
## Mechanical Capability & Usage Environment

Ambient Temperature	25~+70°C
Relative Humidity	+20°C 98%
Vibration freq. at The Fixed Position	3G, 1 ~ 50Hz Amplitude 0.5mm
Concussion	(60–100) Times/Min, Acceleration ≤ 4g
Altitude	2000m
Installation direction	Random
International Protection	IP40 (According IEC60947)

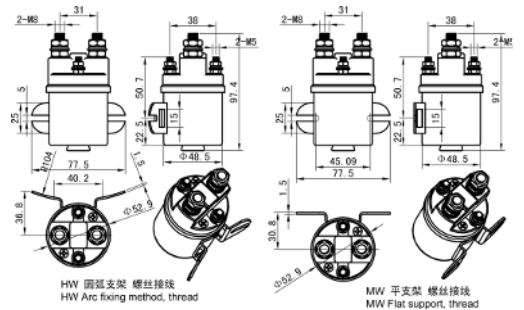
Note:As regarding to the different using environments of customers which requires different focus of the functions,and in order to improve the comprehensive properties of our products,sayoon may adjust the coil parameters,temperature rise and so on. The above parameters are for reference only, For details, please refer to the guidelines for selection and use of the SAYOON DC contactor.



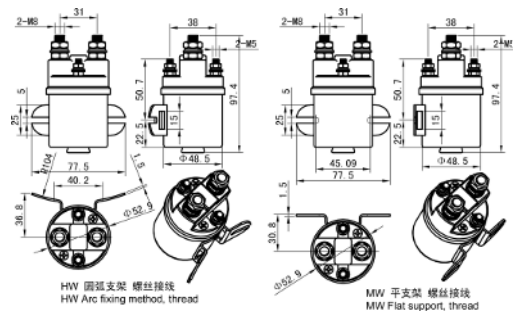
**SDC15-100A**  
 Contact Form: 1NO  
 Rated Current: 100A  
 Coil Power: IN: 18-30(Default);  
 CO: 9-15W  
 Mounting Type: H Arc(Default),  
 M Horizontal



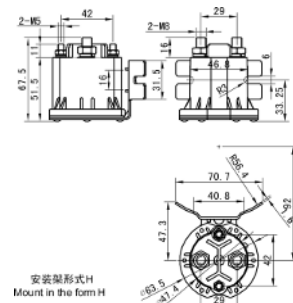
**SDC15-200A**  
 Contact Form: 1NO  
 Rated Current: 200A  
 Coil Power: IN: 18-30(Default);  
 CO: 9-15W  
 Mounting Type: H Arc(Default),  
 M Horizontal



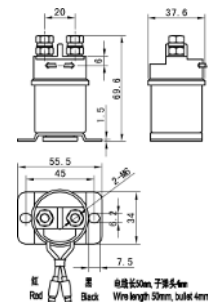
**SDC15-300A**  
 Contact Form: 1NO  
 Rated Current: 300A  
 Coil Power: IN: 18-30(Default);  
 CO: 9-15W  
 Mounting Type: H Arc(Default),  
 M Horizontal



**S684-200A**  
 Contact Form: 1NO  
 Rated Current: 200A  
 Coil Power: IN: 18-30(Default);  
 CO: 9-15W  
 Mounting Type: H Arc(Default),  
 M Horizontal, L One Vertical



**SR6**  
 Contact Form: 1NO  
 Rated Current: 150A  
 Coil Power: 20-30W  
 Mounting Type: Vertical

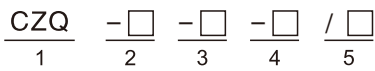


# CZQ Series

This product for electric vehicles, telecommunication equipment, engineering machinery, car batteries, electric forklift trucks, trains, ships, electronic control systems such as uninterruptible power supply.



## Model Implication



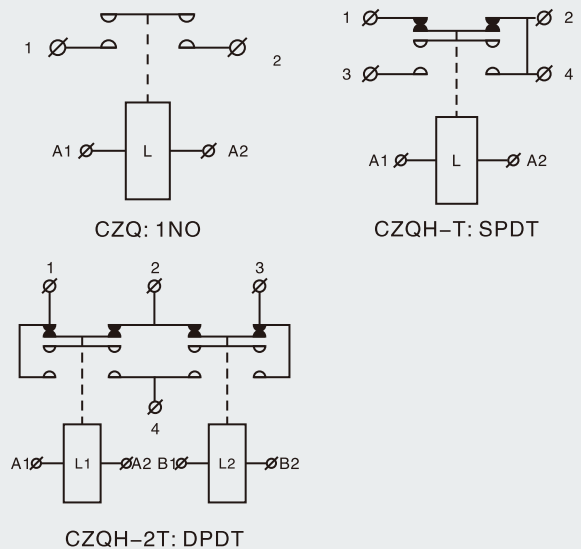
- 1 Product Type: CZQ: 1 NO; CZQH-T: SPDT; CZQH-2T: DPDT
- 2 Rated Current
- 3 P: With Protective Cover(Default)
- 4 Working System: CO Continuous; INT Intermittent
- 5 Coil Rated Voltage: 6V, 12V, 24V, 36V, 48V, 60V, 72V, 84V, 120V, 150V, 220V etc.

## Technical Parameters

Coil Rated Voltage(DC V)	12V, 24V, 48V, 60V etc.
Contact Voltage(DC V)	≤60V
Typical Voltage Drop Across Contacts Per 100A	≥80mV
The Cooling Pull-In Voltage at (20±5)°C (V)	≥70%
The Cooling Drop-Out Voltage at (20±5)°C (V)	≥35%, ≤5%
Working Voltage Range of 40°C Coil	0.8-1.2Us
Drop-out Time (n/o contacts to open)	10-30ms
Pull-in Time (n/o contacts to close)	5-15ms
Maximum Bounce Time for Contact Connection	10ms
Maximum Bounce Time for Contact Disconnection	3ms
Insulation Resistance	20MΩ
Electric Strength to Resist	50Hz/60Hz 1000VAC 1min
Temperature Rise of Coil(K)	≤60
Temperature Rise on Outgoing Terminal(K)	≤65
Electrical Life	20,000 Times
Mechanical Life	300,000 Times
Work Specification	Continuous or Intermittent
Contact Material	Ag Alloy

Note:As regarding to the different using environments of customers which requires different focus of the functions,and in order to improve the comprehensive properties of our products,sayoon may adjust the coil parameters,temperature rise and so on. The above parameters are for reference only, For details, please refer to the guidelines for selection and use of the SAYOON DC contactor.

## Wiring Diagram



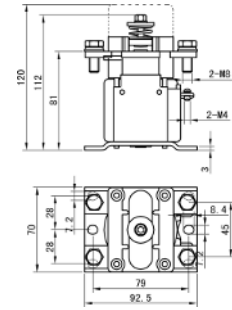
## Mechanical Capability & Usage Environment

Ambient Temperature	-25~+70°C
Relative Humidity	+20°C 98%
Vibration freq. at The Fixed Position	3G, 1 ~ 50Hz Amplitude 0.5mm
Concussion	(60-100) Times/Min, Acceleration ≤ 4g
Altitude	2000m
Installation direction	Random
International Protection	IP40 (According IEC60947)



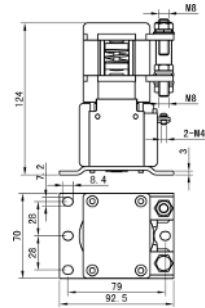
**CZQ150A**

Contact Form: 1NO  
 Rated Current: 150A  
 Coil Power: 20-35W  
 Mounting Type: Vertical



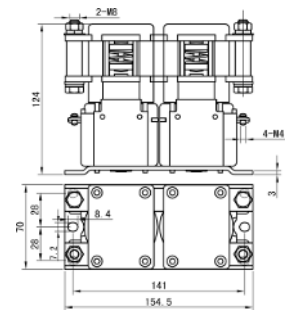
**CZQH150A-T**

Contact Form: SPDT  
 Rated Current: 150A  
 Coil Power: 30-50W  
 Mounting Type: Vertical



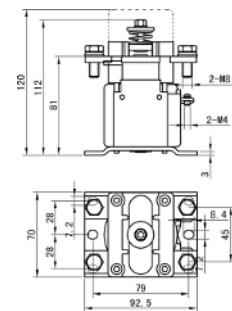
**CZQH150A-2T**

Contact Form: DPDT  
 Rated Current: 150A  
 Coil Power: 30-50W  
 Mounting Type: Vertical



**CZQ300A**

Contact Form: 1NO  
 Rated Current: 300A  
 Coil Power: 20-35W  
 Mounting Type: Vertical



**CZQH300A-T**

Contact Form: SPDT  
 Rated Current: 300A  
 Coil Power: 30-50W  
 Mounting Type: Vertical



**CZQH300A-2T**

Contact Form: DPDT  
 Rated Current: 300A  
 Coil Power: 30-50W  
 Mounting Type: Vertical

# CZ10 Series

This product have one normally open contact, for electric tricycle, electric machinery , floor sweeper, ceramic machine, throwing cars, brick car, clean cars, solar boats and electronic control systems such as uninterrupted power supply.



## Model Implication

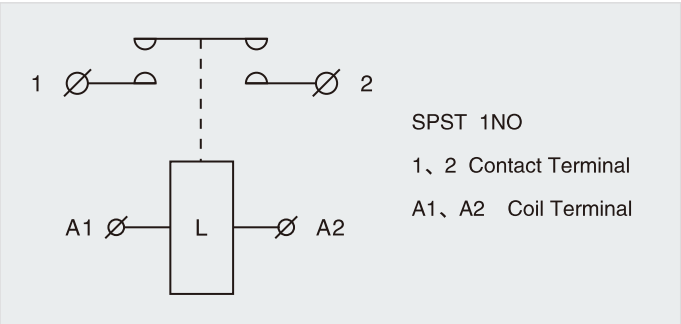
CZ10  $\frac{-\square}{1}$   $\frac{-\square}{2}$   $\frac{-\square}{3}$   $\frac{-\square}{4}$   $\frac{/10}{5}$   $\frac{/\square}{6}$

1	Product Type
2	Rated Current
3	Mounting Bracket Type: None – Horizontal (Default, E Level Embedded, H Arc, K Wide Distance, N Multi-Functional Vertical
4	Other Function Codes : CO: Continuous (Default), IN: Intermittent
5	Contact Structure: 1 NO
6	Coil Rated Voltage: 6V, 12V, 24V, 36V, 48V, 60V, 72V, 84V, 120V, 150V, 220V etc.

## Technical Parameters

Coil Rated Voltage(DC V)	12V, 24V, 48V, 60V etc.
Contact Voltage(DC V)	≤60V
Typical Voltage Drop Across Contacts Per 100A	≥80mV
The Cooling Pull-In Voltage at (20 ± 5)°C (V)	≥70%
The Cooling Drop-Out Voltage at (20±5)°C (V)	≥35%, ≤5%
Working Voltage Range of 40°C Coil	0.8–1.2Us
Drop-out Time (n/o contacts to open)	25ms
Pull-in Time (n/o contacts to close)	10ms
Maximum Bounce Time for Contact Connection	10ms
Maximum Bounce Time for Contact Disconnection	3ms
Insulation Resistance	20MΩ
Electric Strength to Resist	50Hz/60Hz 1000VAC 1min
Temperature Rise of Coil(K)	≤60
Temperature Rise on Outgoing Terminal(K)	≤65
Electrical Life	10,000 Times
Mechanical Life	150,000 Times
Work Specification	Continuous
Contact Material	Ag Alloy

## Wiring Diagram



## Mechanical Capability & Usage Environment

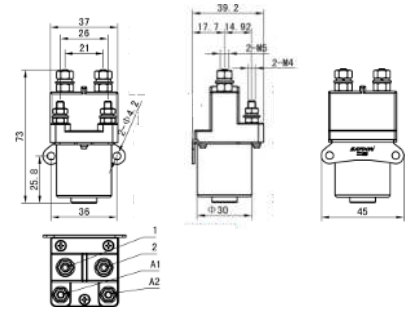
Ambient Temperature	-25~+70°C
Relative Humidity	+20°C 98%
Vibration freq. at The Fixed Position	3G, 1 ~ 50Hz Amplitude 0.5mm
Concussion	(60–100) Times/Min, Acceleration ≤ 4g
Altitude	2000m
Installation direction	Random
International Protection	IP40 (According IEC60947)

Note:As regarding to the different using environments of customers which requires different focus of the functions,and in order to improve the comprehensive properties of our products,sayoon may adjust the coil parameters,temperature rise and so on. The above parameters are for reference only, For details, please refer to the guidelines for selection and use of the SAYOON DC contactor.



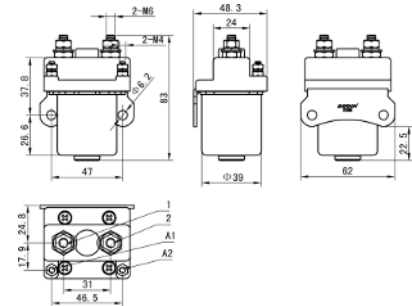
**CZ10-80**

Contact Form: 1NO  
 Rated Current: 80A  
 Coil Power: 5-10W  
 Mounting Type: M Horizontal (Default)



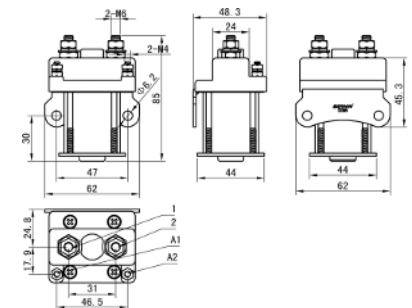
**CZ10-150**

Contact Form: 1NO  
 Rated Current: 150A  
 Coil Power: 8-13W  
 Mounting Type: M Horizontal (Default),  
 E Level Embedded, H Arc Wide  
 Distance, N Multi-Functional  
 Vertical, DH Dismount Inclined



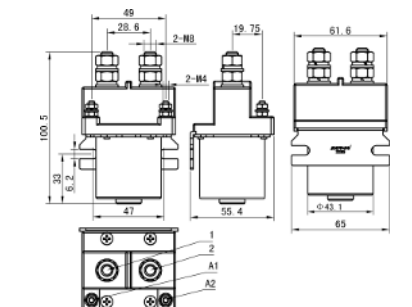
**CZ10-150-L**

Contact Form: 1NO  
 Rated Current: 150A  
 Coil Power: 8-13W  
 Mounting Type: M Horizontal (Default)



**CZ10-250**

Contact Form: 1NO  
 Rated Current: 250A  
 Coil Power: 10-15W  
 Mounting Type: M Horizontal (Default),  
 H Arc, N Multi-Functional Vertical



**QCC14-100A-10**

Contact Form: 1NO  
 Rated Current: 100A  
 Coil Power: 8-13W  
 Mounting Type: L2 Vertical  
 Right (Default), L1  
 Vertical Left, M2  
 Horizontal Right,  
 M1 Horizontal Left



**QCC14-150A-11**

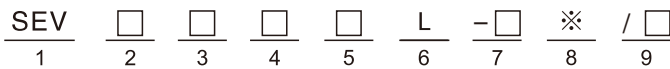
Contact Form: 1NO1NC  
 Rated Current: 100A  
 Coil Power: 8-13W  
 Mounting Type: L2 Vertical  
 Right (Default), L1  
 Vertical Left, M2  
 Horizontal Right,  
 M1 Horizontal Left

# SEV Series

This product for electric vehicles, telecommunication equipment, engineering machinery, car batteries, electric forklift trucks, trains, ships, electronic control systems such as uninterruptible power supply.



## Model Implication



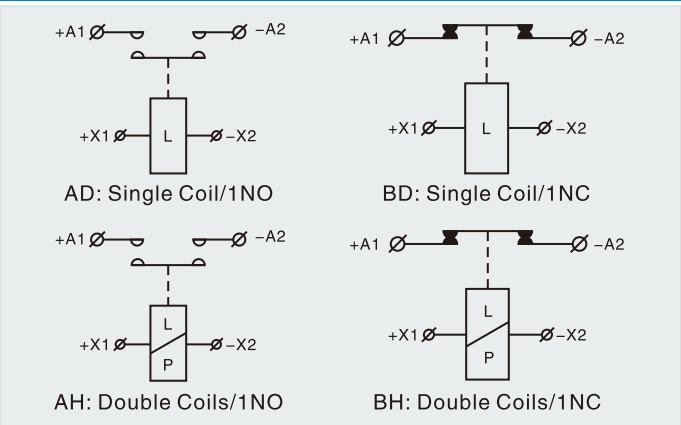
- 1 Product Type
- 2 Rated Current
- 3 Circuit Structure: A–Normally Open; B–Normally Closed; F–Normally Open With One Auxiliary Switch;G–One Normally Closed with One Auxiliary.(For Other Auxiliary Switch Structures, Add '2' or '3' After The Model to Describe The Aux Switch Structure)
- 4 Coil Type: D–Single Coil; H–With Coil Economizer; K–Two Joints Magnetic Retention; 2K–Three joints Magnetic Retention
- 5 Coil Outgoing Mode: X–Wire (390mm); P–Spade Terminals (4.8); W–Thread(M4); O–Other
- 6 Mounting Bracket Type: L–Vertical(Default)
- 7 None–Aux Switch and Main Contact Have The Same Structure (Default); 2–Aux Switch and Main Contacts Opposite; 3–1NO1NC
- 8 Other Special Functions: V–With Capacitive Type Load; N–No Polarity
- 9 Coil Rated Voltage: 12–24V, 36–48V, 60–72V, 9–36V etc.

## Technical Parameters

Coil Rated Voltage(DC V)	12V, 24V, 48V, 60V etc.
Contact Voltage(DC V)	5–1000V
Typical Voltage Drop Across Contacts Per 100A	≥80mV
The Cooling Pull-In Voltage at (20±5)°C (V)	≥70%
The Cooling Drop-Out Voltage at (20±5)°C (V)	≥35%, <5%
Working Voltage Range of 40°C Coil	0.8–1.2Us
Drop-out Time (n/o contacts to open)	20–50ms
Pull-in Time (n/o contacts to close)	5–20ms
Maximum Bounce Time for Contact Connection	10ms
Maximum Bounce Time for Contact Disconnection	7ms
Insulation Resistance	20MΩ
Electric Strength to Resist	50Hz/60Hz 1000VAC 1min
Temperature Rise of Coil(K)	≤55
Temperature Rise on Outgoing Terminal(K)	≤65
Electrical Life	20,000 Times
Mechanical Life	300,000 Times
Work Specification	Continuous

Note:As regarding to the different using environments of customers which requires different focus of the functions,and in order to improve the comprehensive properties of our products,sayoon may adjust the coil parameters,temperature rise and so on. The above parameters are for reference only, For details, please refer to the guidelines for selection and use of the SAYOON DC contactor.

## Wiring Diagram



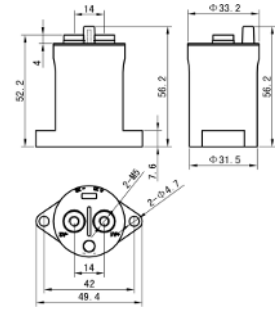
## Mechanical Capability & Usage Environment

Ambient Temperature	-25~+70°C
Relative Humidity	+20°C 98%
Vibration freq. at The Fixed Position	3G, 1 ~ 50Hz Amplitude 0.5mm
Concussion	(60–100) Times/Min, Acceleration ≤ 4g
Altitude	2000m
Installation direction	Random
International Protection	IP40 (According IEC60947)



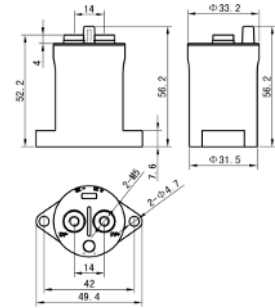
**SEV30AD**

Contact Form: 1NO; 1NC  
 Rated Current: 30A  
 Contact Voltage: 5–1000V  
 Coil Power: 2–7W  
 Mounting Type: L Vertical(Default)



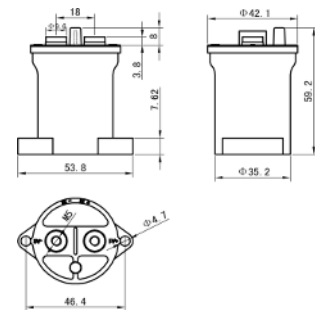
**SEV50AD**

Contact Form: 1NO; 1NC  
 Rated Current: 50A  
 Contact Voltage: 5–1000V  
 Coil Power: 2–7W  
 Mounting Type: L Vertical(Default)



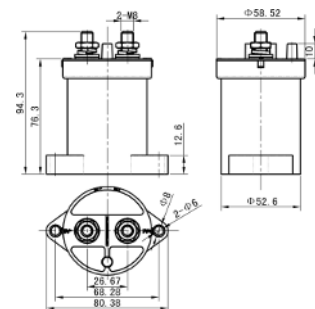
**SEV100AD**

Contact Form: 1NO; 1NC  
 Rated Current: 100A  
 Contact Voltage: 5–1000V  
 Coil Power: 4–10W  
 Mounting Type: L Vertical(Default)



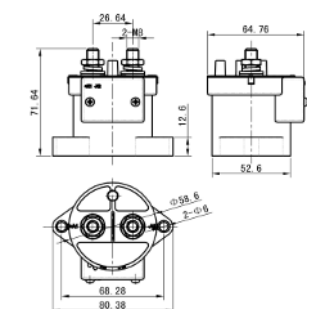
**SEV150AD**

Contact Form: 1NO; 1NC  
 Rated Current: 150A  
 Contact Voltage: 5–1000V  
 Coil Power: 8–10W  
 Mounting Type: L Vertical(Default)



**SEV150AH**

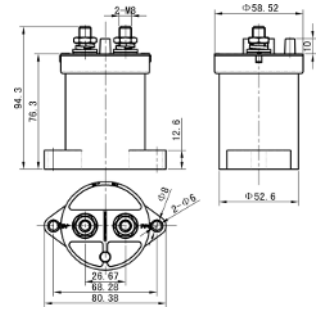
Contact Form: 1NO; 1NC  
 Rated Current: 150A  
 Contact Voltage: 5–1000V  
 Coil Power: H: Start30–50; Keep1.5–5W  
 Mounting Type: L Vertical(Default)





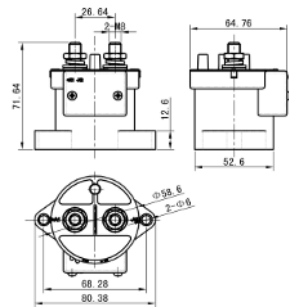
**SEV200AD**

Contact Form: 1NO; 1NC  
 Rated Current: 200A  
 Contact Voltage: 5–1000V  
 Coil Power: 8–20W  
 Mounting Type: L Vertical(Default)



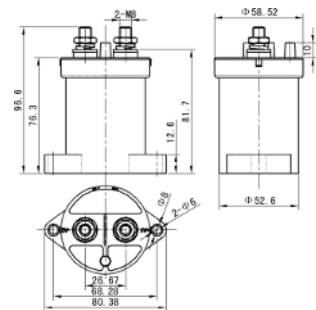
**SEV200AH**

Contact Form: 1NO; 1NC  
 Rated Current: 200A  
 Contact Voltage: 5–1000V  
 Coil Power: H: Start30–50; Keep1.5–5W  
 Mounting Type: L Vertical(Default)



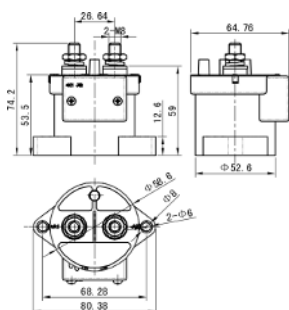
**SEV250AD**

Contact Form: 1NO; 1NC  
 Rated Current: 250A  
 Contact Voltage: 5–1000V  
 Coil Power: 8–20W  
 Mounting Type: L Vertical(Default)



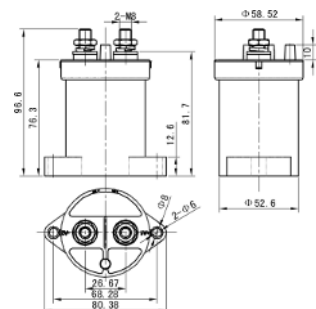
**SEV250AH**

Contact Form: 1NO; 1NC  
 Rated Current: 250A  
 Contact Voltage: 5–1000V  
 Coil Power: H: Start30–50; Keep1.5–5W  
 Mounting Type: L Vertical(Default)



**SEV300AD**

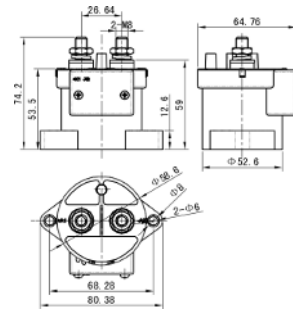
Contact Form: 1NO; 1NC  
 Rated Current: 300A  
 Contact Voltage: 5–1000V  
 Coil Power: 8–20W  
 Mounting Type: L Vertical(Default)





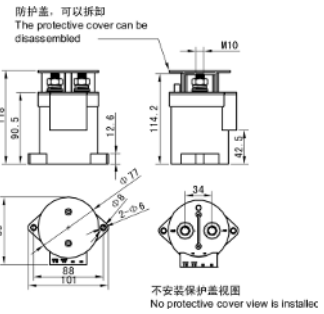
**SEV300AH**

Contact Form: 1NO; 1NC  
 Rated Current: 300A  
 Contact Voltage: 5-1000V  
 Coil Power: H: Start30-50; Keep1.5-5W  
 Mounting Type: L Vertical(Default)



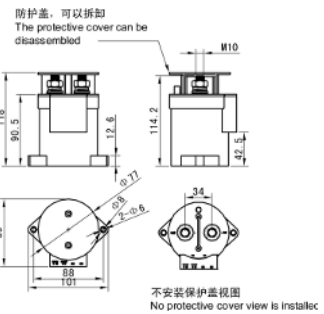
**SEV400AH**

Contact Form: 1NO; 1NC  
 Rated Current: 400A  
 Contact Voltage: 5-1000V  
 Coil Power: H: Start30-6; Keep4-10  
 Mounting Type: L Vertical(Default)



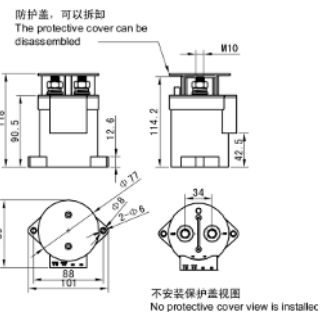
**SEV600AH**

Contact Form: 1NO; 1NC  
 Rated Current: 600A  
 Contact Voltage: 5-1000V  
 Coil Power: H: Start30-50; Keep1.5-5W  
 Mounting Type: L Vertical(Default)



**SEV800AH**

Contact Form: 1NO; 1NC  
 Rated Current: 800A  
 Contact Voltage: 5-1000V  
 Coil Power: H: Start30-50; Keep1.5-5W  
 Mounting Type: L Vertical(Default)

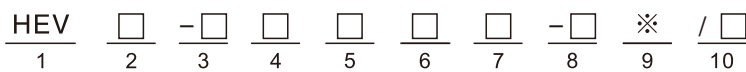


# HEV Series

This product for electric vehicles, telecommunication equipment, engineering machinery, car batteries, electric forklift trucks, trains, ships, electronic control systems such as uninterruptible power supply.



## Model Implication

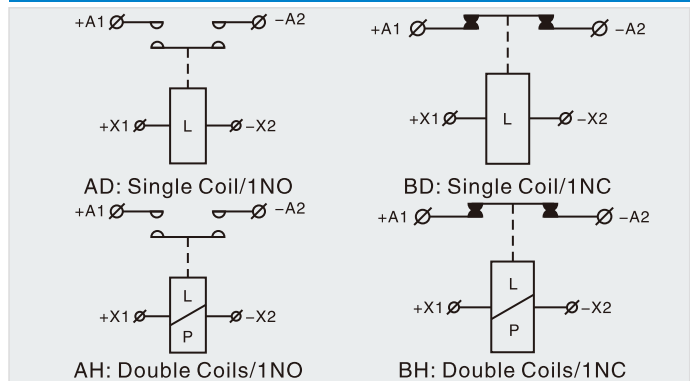


- 1 Product Type: HEV–One Group Circuits; HEVJ–Two Group Circuit
- 2 Rated Current
- 3 Contact Rated Voltage: 1–200V; 7–1000V
- 4 Circuit Structure: A–Normally Open; B–Normally Closed; F\_Normally Open With One Auxiliary Switch;G\_One Normally Closed With One Auxiliary.(For Other Auxiliary Switch Structures, Add '2' or '3' After The Model to Describe The Aux Switch Structure)
- 5 CoilType: D–Single Coil; H\_With Col Economizer; K–Two Joints Magnetic Retention; 2K\_Three Joints Magnetic Retention; P\_SignalControl; R–Built in Pre Charging Type; Y–External Pre Charging
- 6 Coil Outgoing Mode: X–Wire (390mm); O–Other
- 7 Mounting Bracket Type: L–Vertical(Default), M–Horizontal
- 8 None–Aux Switch and Main Contact Have The Same Structure (Default); 2–Aux Switch and Main Contacts Opposite; 3–1NO1NC
- 9 Other Special Functions: V–With Capacitive Type Load: N–No Polarity
- 10 Coil Rated Voltage: DC6V, 12V, 24V, 36V, 48V, 60V, 72V, 84V, 120V, 150V, DC220V, AC220V etc.

## Technical Parameters

Coil Rated Voltage(DC V)	12V, 24V, 48V, 60V etc.
Contact Voltage(DC V)	5–1000V
Typical Voltage Drop Across Contacts Per 100A	≥80mV
The Cooling Pull-In Voltage at (20±5)°C (V)	≥70%
The Cooling Drop-Out Voltage at (20±5)°C (V)	≥35%, ≤5%
Working Voltage Range of 40°C Coil	0.8–1.2Us
Drop-out Time (n/o contacts to open)	20–50ms
Pull-in Time (n/o contacts to close)	5–20ms
Maximum Bounce Time for Contact Connection	10ms
Maximum Bounce Time for Contact Disconnection	7ms
Insulation Resistance	20MΩ
Electric Strength to Resist	50Hz/60Hz 1000VAC 1min
Temperature Rise of Coil(K)	≤55
Temperature Rise on Outgoing Terminal(K)	≤65
Electrical Life	20,000 Times
Mechanical Life	300,000 Times
Work Specification	Continuous

## Wiring Diagram



## Mechanical Capability & Usage Environment

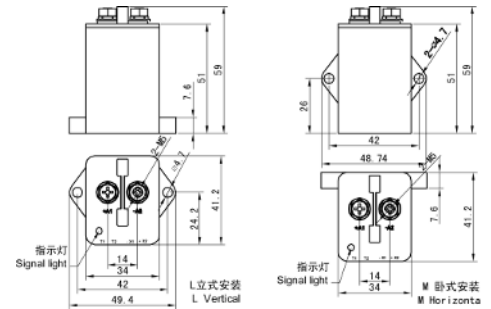
Ambient Temperature	-25~+70°C
Relative Humidity	+20°C 98%
Vibration freq. at The Fixed Position	3G, 1 ~ 50Hz Amplitude 0.5mm
Concussion	(60–100) Times/Min, Acceleration ≤ 4g
Altitude	2000m
Installation direction	Random
International Protection	IP40 (According IEC60947)

Note:As regarding to the different using environments of customers which requires different focus of the functions,and in order to improve the comprehensive properties of our products,sayoon may adjust the coil parameters,temperature rise and so on. The above parameters are for reference only. For details, please refer to the guidelines for selection and use of the SAYOON DC contactor.



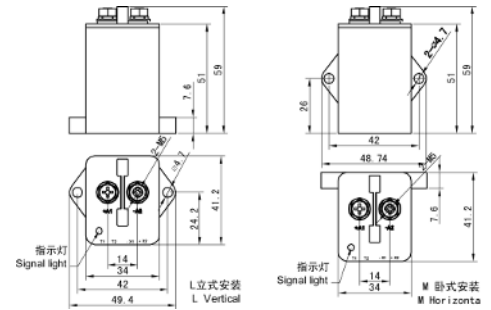
**HEV30**

Contact Form: 1NO; 1NC  
 Rated Current: 30A  
 Contact Voltage:  $\leq 200V$ ;  $\leq 1000V$   
 Coil Power: D: 3-7; H: Start 3-7,  
 Keep 0.5-1.5W  
 Mounting Type: L Vertical(Default),  
 M Horizontal



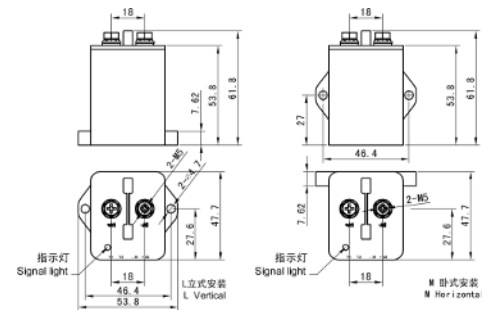
**HEV50**

Contact Form: 1NO; 1NC  
 Rated Current: 50A  
 Contact Voltage:  $\leq 200V$ ;  $\leq 1000V$   
 Coil Power: D: 3-7; H: Start 3-7,  
 Keep 0.5-1.5W  
 Mounting Type: L Vertical(Default),  
 M Horizontal



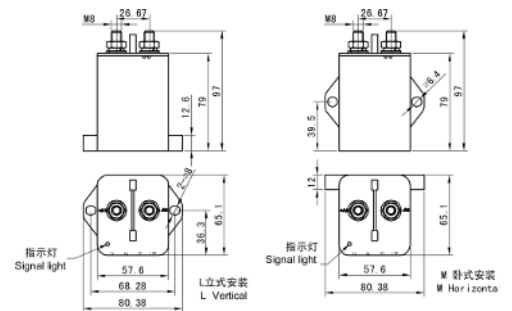
**HEV100**

Contact Form: 1NO; 1NC  
 Rated Current: 100A  
 Contact Voltage:  $\leq 200V$ ;  $\leq 1000V$   
 Coil Power: D: 4-10; H: Start 4-10,  
 Keep 0.5-2W  
 Mounting Type: L Vertical(Default),  
 M Horizontal



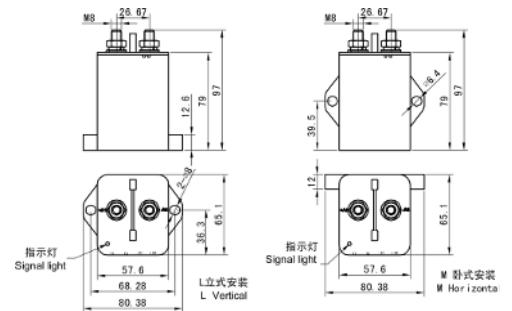
**HEV150**

Contact Form: 1NO; 1NC  
 Rated Current: 150A  
 Contact Voltage:  $\leq 200V$ ;  $\leq 1000V$   
 Coil Power: D: 8-20; H: Start 30-50,  
 Keep 1.5-4W  
 Mounting Type: L Vertical(Default),  
 M Horizontal



**HEV200**

Contact Form: 1NO; 1NC  
 Rated Current: 200A  
 Contact Voltage:  $\leq 200V$ ;  $\leq 1000V$   
 Coil Power: D: 8-20; H: Start 30-50,  
 Keep 1.5-4W  
 Mounting Type: L Vertical(Default),  
 M Horizontal

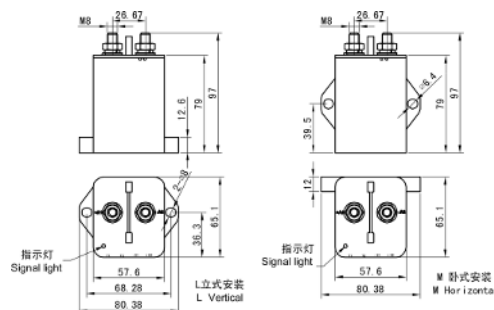


**HEV series**



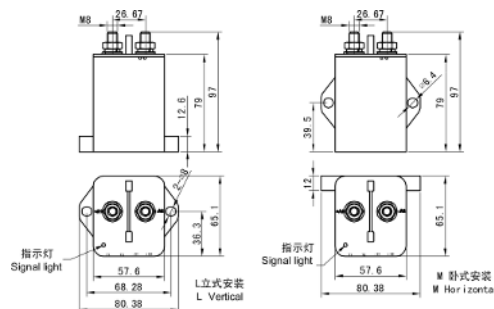
**HEV250**

Contact Form: 1NO; 1NC  
 Rated Current: 250A  
 Contact Voltage:  $\leq 200V$ ;  $\leq 1000V$   
 Coil Power: D: 8-20; H: Start 30-50, Keep 1.5-4W  
 Mounting Type: L Vertical(Default), M Horizontal



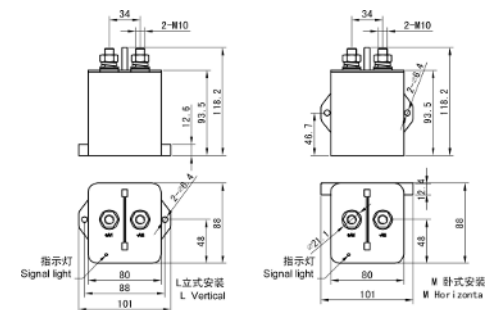
**HEV300**

Contact Form: 1NO; 1NC  
 Rated Current: 300A  
 Contact Voltage:  $\leq 200V$ ;  $\leq 1000V$   
 Coil Power: D: 8-20; H: Start 30-50, Keep 1.5-4W  
 Mounting Type: L Vertical(Default), M Horizontal



**HEV400**

Contact Form: 1NO; 1NC  
 Rated Current: 400A  
 Contact Voltage:  $\leq 200V$ ;  $\leq 1000V$   
 Coil Power: H: Start 30-60, Keep 4-10  
 Mounting Type: L Vertical(Default), M Horizontal



**HEV600**

Contact Form: 1NO; 1NC  
 Rated Current: 600A  
 Contact Voltage:  $\leq 200V$ ;  $\leq 1000V$   
 Coil Power: H: Start 30-60, Keep 4-10  
 Mounting Type: L Vertical (Default), M Horizontal



**HEV800**

Contact Form: 1NO; 1NC  
 Rated Current: 800A  
 Contact Voltage:  $\leq 200V$ ;  $\leq 1000V$   
 Coil Power: H: Start 30-60, Keep 4-10  
 Mounting Type: L Vertical (Default), M H



**HEVJ150**

Contact Form: 2NO  
 Rated Current: 150A  
 Contact Voltage:  $\leq 200V$ ;  $\leq 1000V$   
 Coil Power: D: 8-20; H: Start 30-50, Keep 1.5-4W  
 Mounting Type: L Vertical (Default), M Horizontal



**HEVJ300**

Contact Form: 2NO  
 Rated Current: 300A  
 Contact Voltage:  $\leq 200V$ ;  $\leq 1000V$   
 Coil Power: H: Start 30-60, Keep 4-10W  
 Mounting Type: L Vertical (Default), M Horizontal

**DC Contactor**



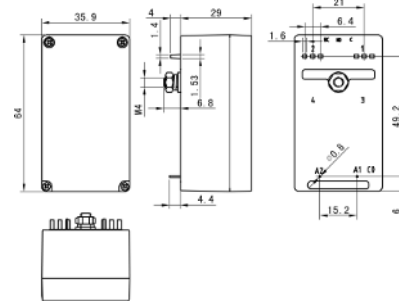
**JCC200A**  
 Contact Form: 1NO  
 Rated Current: 200A  
 Coil Power: 8–12W  
 Mounting Type: M Horizontal  
 (Default)



**JCC400A**  
 Contact Form: 1NO  
 Rated Current: 400A  
 Coil Power: 9–13W  
 Mounting Type: M Horizontal  
 (Default)



**SU1-80A**  
 Contact Form: 1NO; 1NC; 1NO1NC;  
 Megnetic Holding  
 Rated Current: 80A  
 Coil Power: 5–10W



**Emergency Switch**



**CZK125A**



**CZK250A-1**



**CZK250A-2**



**CZK400A**

**Accessory**



**SY**  
 Connector  
 Rated Current: 50A; 175A;  
 350A  
 Rated Voltage: 660V



**JN**  
 Energy saving device  
 Must be used in conjunction  
 and cannot be  
 purchased separately