

卓
尔不凡
青出于蓝
To be better
To be stronger



东莞市卓蓝自动化设备有限公司
Dongguan Zhuolan Automation Equipment Co., Ltd

广东省东莞市望牛墩临港路5号卓蓝工业园
Add: Zhuolan Industrial Park, No.5 Lingang Road,
Wangniudun Town, Dongguan, Guangdong, China.
Tel: +86-769-2722 5002
Fax: +86-769-2366 2684
<http://www.zljsj.cn>



东莞市卓蓝自动化设备有限公司

智能动力系统



匠心铸造精密传动精品
*INGENUITY CASTING PRECISION
TRANSMISSION PRODUCTS*



智能动力系统

目录 CONTENTS



					
QDL	XZS	WDS	LDS	WDSS	LDSS
Page 09	Page 22	Page 35	Page 50	Page 53	Page 62

				
CS	SJX	AGV-CC	CZSS	QXC
Page 68	Page 73	Page 78	Page 80	Page 82

ABOUT US

关于我们

东莞市卓蓝自动化设备有限公司坐落于有“世界工厂”之美称的广东省东莞市，是专业从事研发、生产和销售高精行星减速机、机器人专用减速机的厂家。是高精度行星传动领域解决方案的重要提供者。

各大高校的技术背景及卓蓝人高效务实的进取精神，构成了公司迅速成长、可持续发展的黄金结构。几年的发展，公司秉承“卓蓝”——卓尔不凡，青出于蓝而胜于蓝的理念，凝聚了一个极富行业经验及科学管理经验的领导核心。公司发展理念符合“工业4.0”和“中国制造2025”国家战略发展方向并将ISO9001质量管理体系的运行落实到公司的各个环节，以卓越的品质、价值和服务满足客户的需求。

我们相信我们追求成功的过程，就是与客户关系不断升华的过程。公司今天的成功依赖于众多客户长期的支持与帮助。面向未来，我们将为您做的更多……

DongGuan ZhuoLan Automation Equipment Co.,Ltd. is located in dongguan, guangdong province, which is known as“world factory”. ZhuoLan is not only engaged in R&D, production and sales of high precision planetary reducer, robot special reducer but also a great solution provider in the high precision planetary transmission field.

The technical background of universities and the high-efficiency and pragmatic enterprising spirit of zhuo blue people constitute the golden structure which provides strong motivation to company's rapid growth and sustainable development. During several years of development, the company always adheres to the “zhuo blue ”spirits which is blue is better than blue and gathers a leadership core with rich industry experience and scientific management experience. Company development concept is in line with “industry 4.0”and“made in China 2025”National strategic development direction and we implement the operation of ISO9001 quality management system into every corner of the company, To meet the needs of customers with excellent quality, value and service.

We believe that our pursuit of success is the process of continuous improvement to customer relationship. Furthermore, The company's success depends on the long-term support and help of our customers. Looking to the future, We'll do more for you……



Development History

发展历程

2012/2013

东莞市卓蓝自动化设备有限公司正式成立，公司拥有“卓蓝”“zhuolan”自主品牌，发明专利1项，实用新型专利2项，同时拥有6个软件著作权。

Dongguan zhuolan automation equipment co., Ltd. was formally established, with its own brand of "卓蓝" and "zhuolan". in the mean time the company has one invention patent, two utility model patents and six software Copyrights.

2014

引进高端人才团队研发斜齿精密行星减速机。

Introduce the high-end talent team to research and develop the precise helical gear planetary reducer.

2015/2016

公司获评为国家高新技术企业，东莞市万江区“倍增企业”

The company was rated as a national high-tech enterprise and a "Multiplier Enterprise" in Wanjiang District, Dongguan City

2017

引进高端人才团队研发谐波减速机，获得ISO9001:2015质量管理体系认证。

Introduce high-end talent team to develop harmonic reducer and obtain ISO9001: 2015 quality management system certification.

2018/2019

承接的大型项目敦煌追日计划——塔式熔盐日光发电镜场项目进入了《厉害了我的国》专题片；公司成功通过并获得ISO14000环境管理体系认证证书，获评东莞市“协同倍增企业”。

The large-scale project we carried on which dunhuang sun-chasing plan-tower molten salt solar power generation mirror field project was included in the special film "amazing my country".

The company has successfully passed and obtained the ISO 14000 environmental management system certification, and was awarded the "Collaborative multiplier enterprise" in Dongguan City".

2020

全面研制出智能动力系列产品，成功发明高精度行星差速机构。

A series of intelligent power products have been comprehensively developed, and a high-precision planetary differential mechanism has been successfully invented.

2021/2022

建设卓蓝智造产业园；成立无锡控股子公司，完成电动滚筒的研发、生产、销售。

Build Zhuolan Intelligent Manufacturing Industrial Park; Establish a subsidiary of Wuxi Holdings to complete the research and development, production, and sales of electric rollers.

企业历程是企业所走过的历史足迹，回首过去，展望未来，我们一直在不断地创新、学习、并从中成长。风雨无阻，携手同行。

Corporate history is the historical footprint of enterprises, looking back and looking forward, We are constantly innovating, learning, and growing from it. Rain or shine, go hand in hand.

Advanced Manufacturing Platform

先进的制造平台



精益化的组装制程，追求完美品质意识，已深入卓蓝人心中。生产效率及品质严格以高标准执行。

从技术到实力，到产业配套，再到制造规模，卓蓝始终走在行业的最前端，继续保持着行业领先，并不断扩大行业优势。

The lean assembly process and the pursuit of perfect quality awareness have been deeply rooted in Zhuoran people. Production efficiency and quality are strictly implemented to high standards.

From technology to strength, to industrial support, to manufacturing scale, Zhuo Lan has always been at the forefront of the industry, continues to maintain industry leadership, and continues to expand its industry advantages.





Precision Testing Center

精密的检测中心

Provide a solid guarantee for innovative research and development

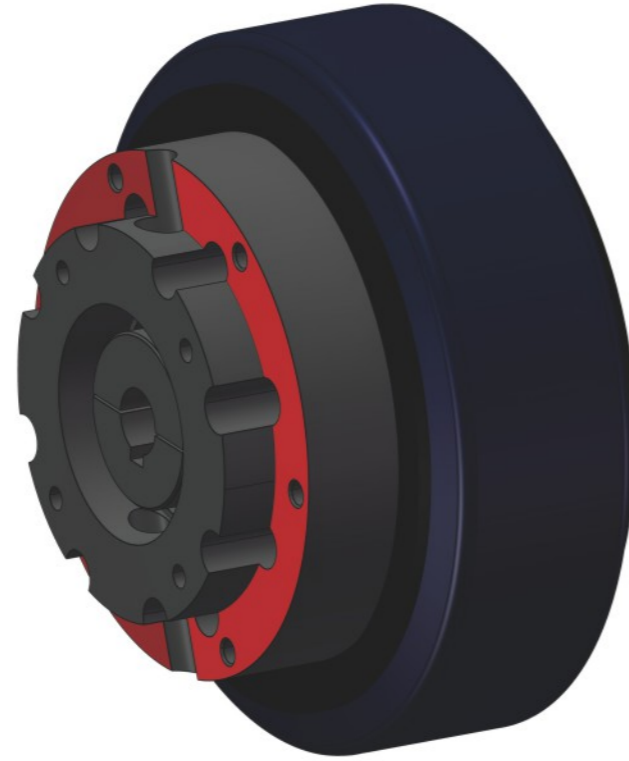
为创新研发提供坚实保障

我们有一支专业的品质管理团队，运用科学的品质管理标准，借助先进的检测设备，对产品各个环节的质量实行严格管控，确保为客户提供优质产品。

We have a professional quality management team, using scientific quality management standards, with advanced testing equipment, strict quality control of the quality of products in all aspects, to ensure that customers provide quality products.



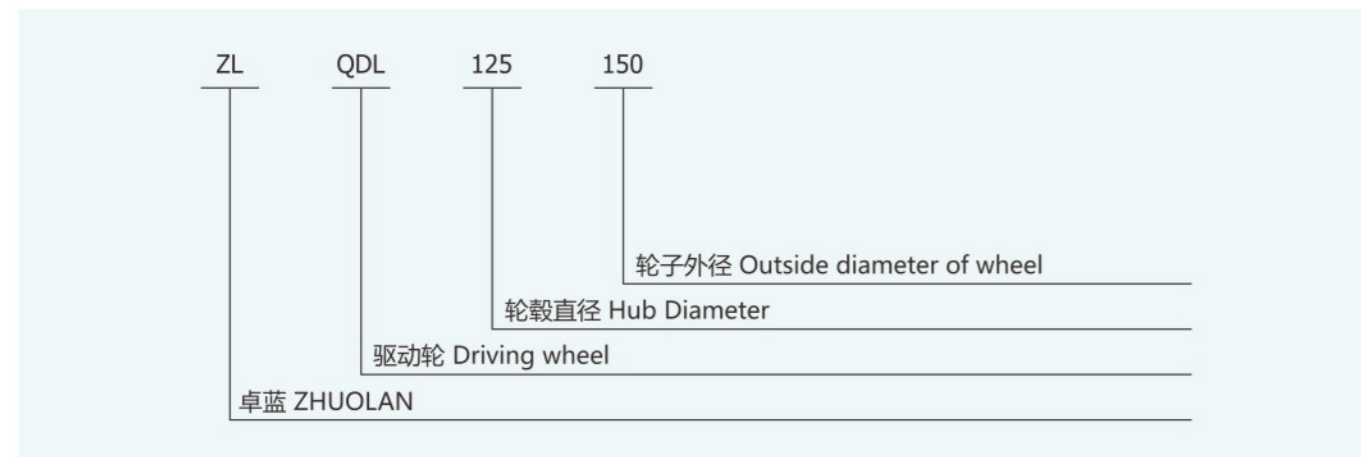
- QDL 95 (驱动轮Driving wheel)
- QDL 125 (驱动轮Driving wheel)
- QDL 150 (驱动轮Driving wheel)
- QDL 165 (驱动轮Driving wheel)
- QDL 300 (驱动轮Driving wheel)



QDL Series

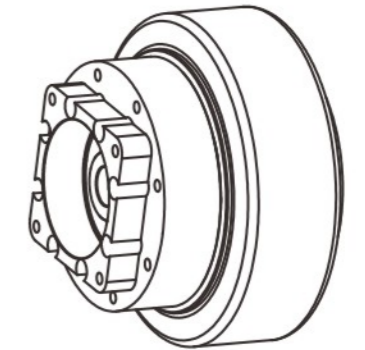
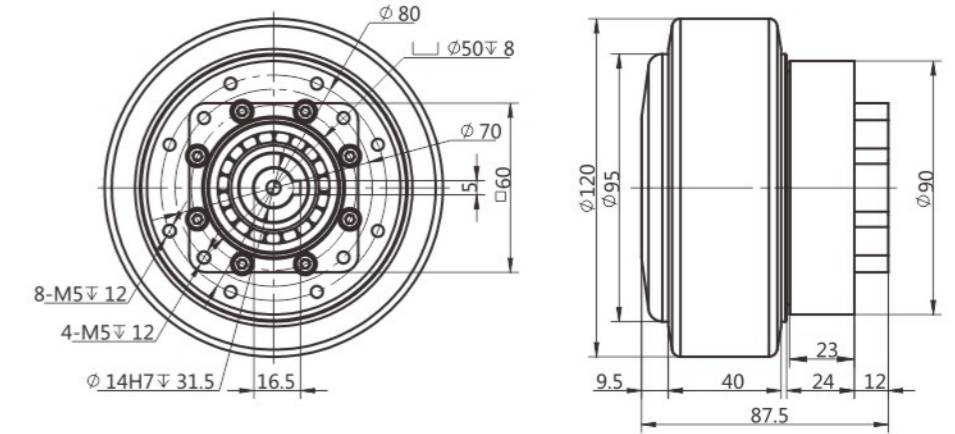
QDL系列型号说明

QDL series model description



QDL 95 Series

ZL-QDL-95-120-400



牵引电机参数
Parameter list of traction motor

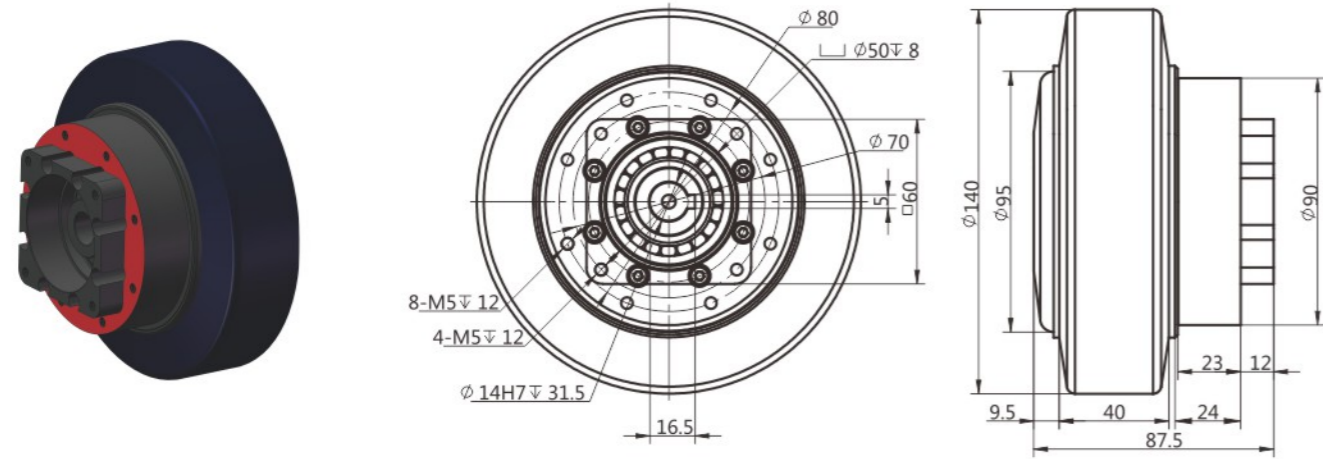
类型 Type	DC	伺服电机 Servo motor
电机功率 Motor power	W	400
电机电压 Motor voltage	V	48
电机转速 Motor speed	rpm	3000
电机电流 Motor current	A	10.6
额定扭矩 Rated Torque	N·m	1.27
防护等级 Protection level	IP	65

牵引减速机参数
Parameter table of traction reducer

类型 Type	X	行星减速机 Planetary reducer							
减速机速比 Speed ratio of reducer	i	16	20	25	28	35	40	50	70
减速机扭矩 Reducer torque	N·m	30	30	33	30	33	30	33	21.5
聚氨酯承重 Polyurethane load-bearing	Kg	150							
最大速度 Maximum velocity	M/min	70.7	56.5	45.2	40.4	40.4	28.3	22.6	16.1
牵引力 Traction	N	304.8	381.0	476.3	450.0	450.0	450.0	495.0	322.5
牵引重量 Traction weight	参考 Reference	579.1	723.9	904.9	855.0	855.0	855.0	940.5	612.8

QDL 95 Serices

ZL-QDL-95-140-400



牵引电机参数
Parameter list of traction motor

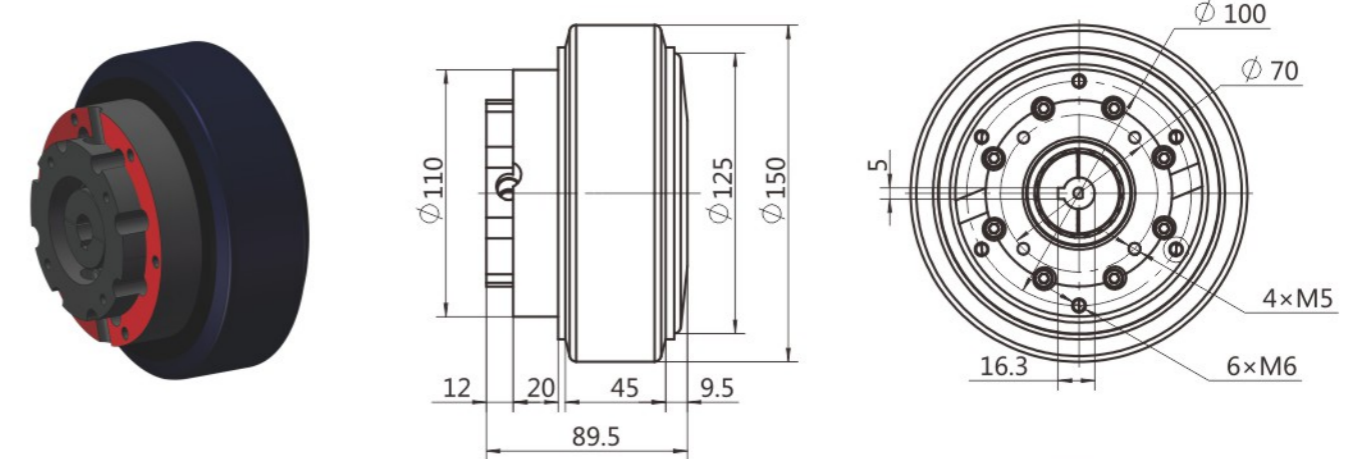
类型 Type	DC	伺服电机 Servo motor
电机功率 Motor power	W	400
电机电压 Motor voltage	V	48
电机转速 Motor speed	rpm	3000
电机电流 Motor current	A	10.6
额定扭矩 Rated Torque	N·m	1.27
防护等级 Protection level	IP	65

牵引减速机参数
Parameter table of traction reducer

类型 Type	X	行星减速机 Planetary reducer								
		i	16	20	25	28	35	40	50	70
减速机速比 Speed ratio of reducer	i	16	20	25	28	35	40	50	70	
减速机扭矩 Reducer torque	N·m	30	30	33	30	33	30	33	21.5	
聚氨酯承重 Polyurethane load-bearing	Kg	300								
最大速度 Maximum velocity	M/min	82.4	65.9	52.8	47.1	37.7	33.0	26.4	18.8	
牵引力 Traction	N	261.3	326.6	408.2	385.7	424.3	385.7	424.3	276.4	
牵引重量 Traction weight	参考 Reference	496.4	620.5	775.6	732.9	806.1	732.9	806.1	525.2	

QDL 125 Serices

ZL-QDL-125-150-400



牵引电机参数
Parameter list of traction motor

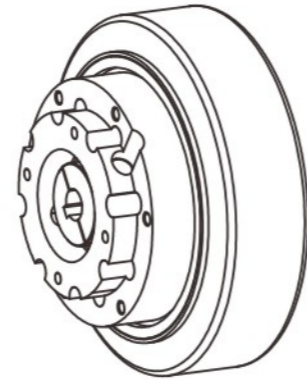
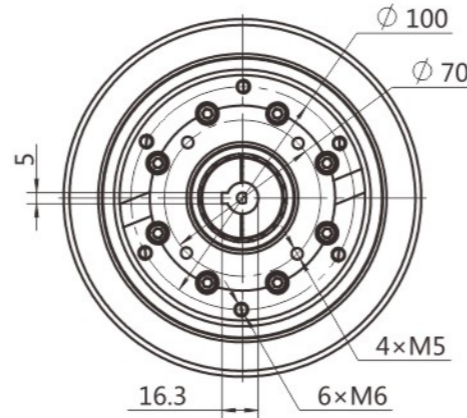
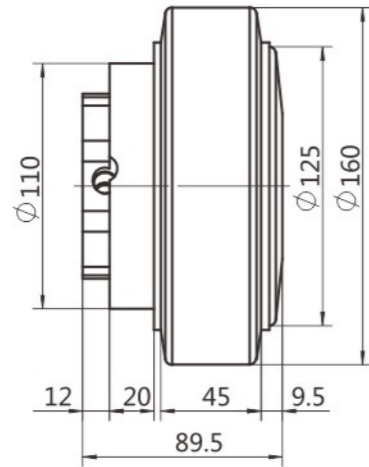
类型 Type	DC	伺服电机 Servo motor
电机功率 Motor power	W	400
电机电压 Motor voltage	V	48
电机转速 Motor speed	rpm	3000
电机电流 Motor current	A	11.95
额定扭矩 Rated Torque	N·m	1.27
防护等级 Protection level	IP	65

牵引减速机参数
Parameter table of traction reducer

类型 Type	X	行星减速机 Planetary reducer								
		i	16	20	25	28	35	40	50	70
减速机速比 Speed ratio of reducer	i	16	20	25	28	35	40	50	70	
减速机扭矩 Reducer torque	N·m	30	30	33	30	33	30	33	21.5	
聚氨酯承重 Polyurethane load-bearing	Kg	300								
最大速度 Maximum velocity	M/min	88.3	70.7	56.5	50.5	40.4	35.3	28.3	20.2	
牵引力 Traction	N	243.8	304.8	381	360	396	360	396	258	
牵引重量 Traction weight	参考 Reference	463.3	579.1	723.9	684	752.4	684	752.4	490.2	

QDL 125 Serices

ZL-QDL-125-160-400



牵引电机参数
Parameter list of traction motor

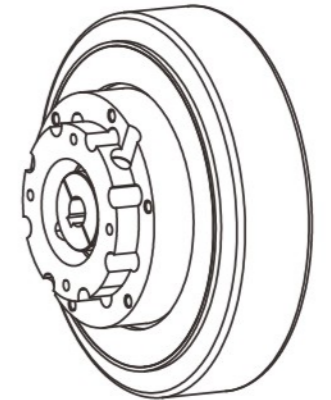
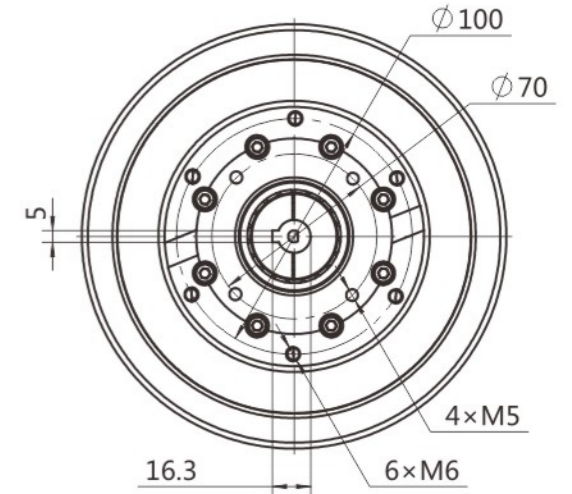
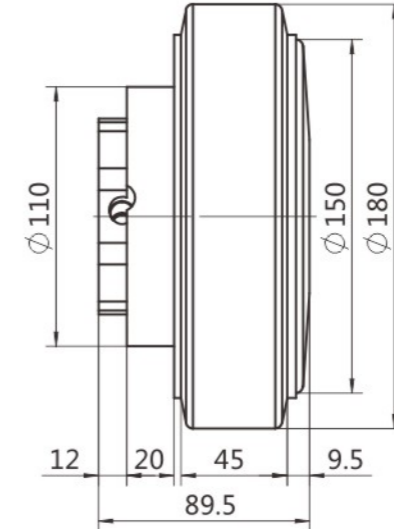
类型 Type	DC	伺服电机 Servo motor
电机功率 Motor power	W	400
电机电压 Motor voltage	V	48
电机转速 Motor speed	rpm	3000
电机电流 Motor current	A	11.95
额定扭矩 Rated Torque	N·m	1.27
防护等级 Protection level	IP	65

牵引减速机参数
Parameter table of traction reducer

类型 Type	X	行星减速机 Planetary reducer							
减速机速比 Speed ratio of reducer	i	16	20	25	28	35	40	50	70
减速机扭矩 Reducer torque	N·m	30	30	33	30	33	30	33	21.5
聚氨酯承重 Polyurethane load-bearing	Kg	350							
最大速度 Maximum velocity	M/min	94.2	75.4	60.3	53.8	43.1	37.7	30.1	21.5
牵引力 Traction	N	228.6	285.8	357.2	337.5	371.3	337.5	371.3	241.9
牵引重量 Traction weight	参考 Reference	434.3	542.9	678.7	641.3	705.4	641.3	705.4	459.6

QDL 150 Serices

ZL-QDL-150-180-400



牵引电机参数
Parameter list of traction motor

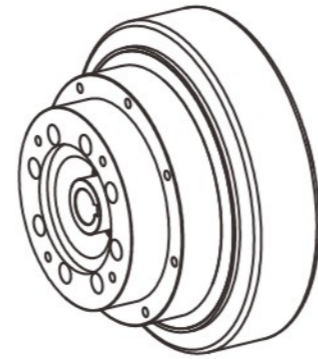
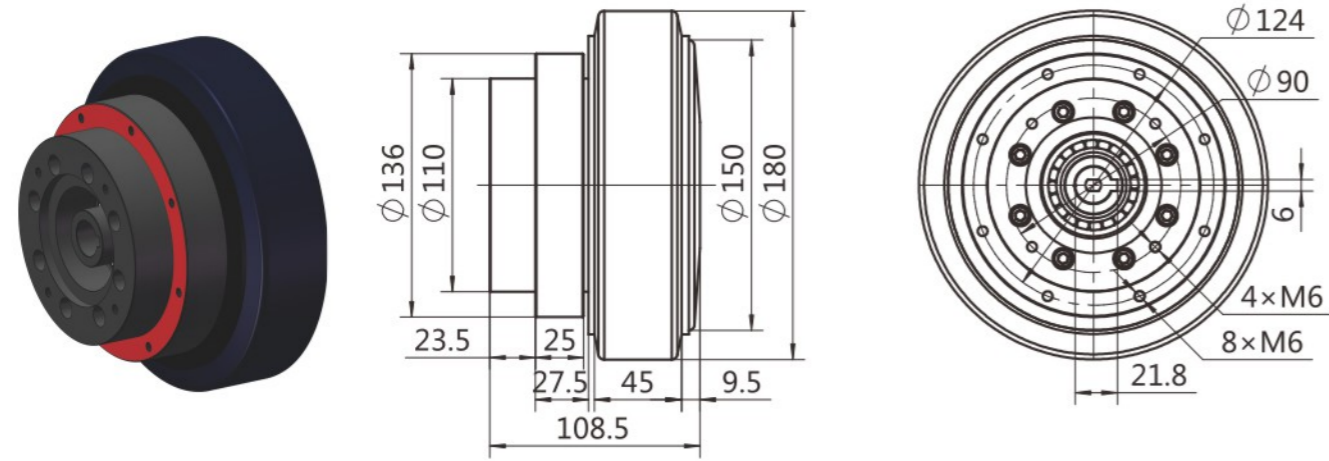
类型 Type	DC	伺服电机 Servo motor
电机功率 Motor power	W	400
电机电压 Motor voltage	V	48
电机转速 Motor speed	rpm	3000
电机电流 Motor current	A	11.95
额定扭矩 Rated Torque	N·m	1.27
防护等级 Protection level	IP	65

牵引减速机参数
Parameter table of traction reducer

类型 Type	X	行星减速机 Planetary reducer							
减速机速比 Speed ratio of reducer	i	16	20	25	28	35	40	50	70
减速机扭矩 Reducer torque	N·m	30	30	33	30	33	30	33	21.5
聚氨酯承重 Polyurethane load-bearing	Kg	400							
橡胶承重 Rubber bearing	Kg	300							
最大速度 Maximum velocity	M/min	106	84.8	67.8	60.6	48.4	42.4	33.9	24.2
牵引力 Traction	N	203.2	254	317.5	300	330	300	330	215
牵引重量 Traction weight	参考 Reference	386.1	482.6	603.3	570	627	570	627	408.5

QDL 150 Serices

ZL-QDL-150-180-750



牵引电机参数
Parameter list of traction motor

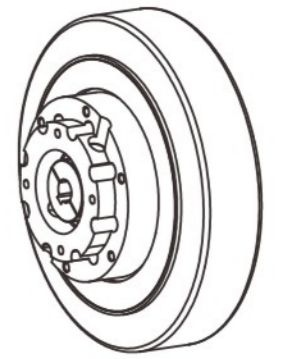
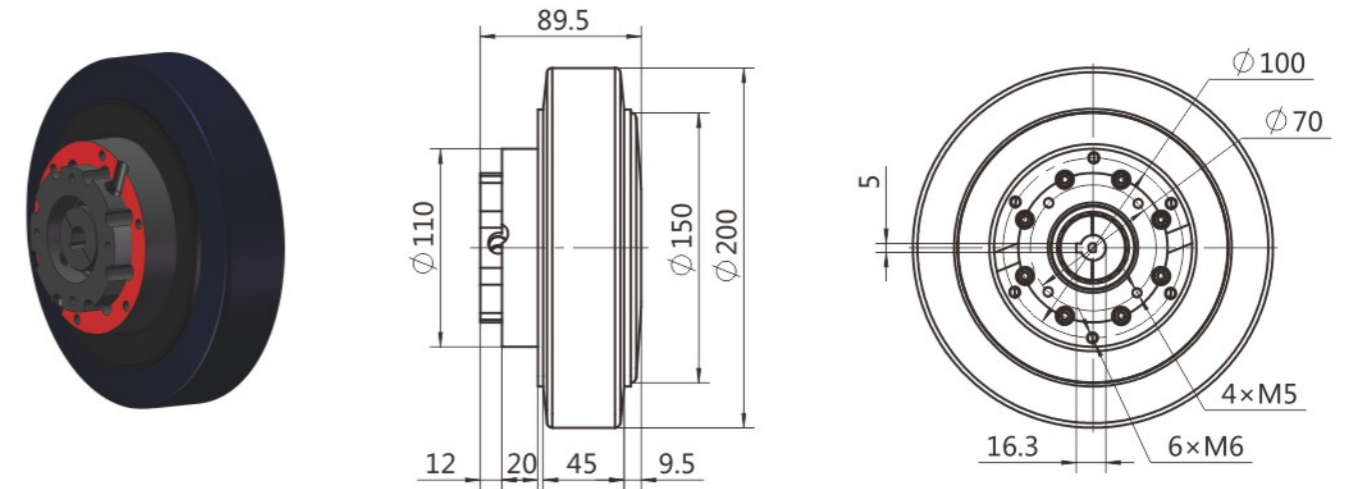
类型 Type	DC	伺服电机 Servo motor
电机功率 Motor power	W	750
电机电压 Motor voltage	V	48
电机转速 Motor speed	rpm	3000
电机电流 Motor current	A	22.4
额定扭矩 Rated Torque	N·m	2.39
防护等级 Protection level	IP	65

牵引减速机参数
Parameter table of traction reducer

类型 Type	X	行星减速机 Planetary reducer							
		i	16	20	25	28	35	40	50
减速机速比 Speed ratio of reducer	i	16	20	25	28	35	40	50	70
减速机扭矩 Reducer torque	N·m	96	96	105	96	105	96	105	71.5
聚氨酯承重 Polyurethane load-bearing	Kg	400							
橡胶承重 Rubber bearing	Kg	300							
最大速度 Maximum velocity	M/min	106	84.8	67.8	60.6	48.4	42.4	33.9	24.2
牵引力 Traction	N	382.4	478	597.5	669.2	836.5	956	1050	715
牵引重量 Traction weight	参考 Reference	726.6	908.2	1135.3	1271.5	1589.4	1816.4	1995	1358.5

QDL 150 Serices

ZL-QDL-150-200-400



牵引电机参数
Parameter list of traction motor

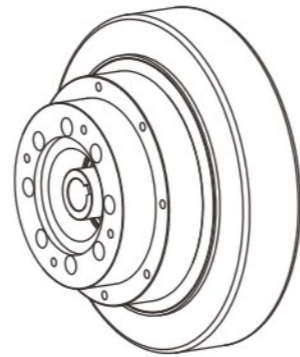
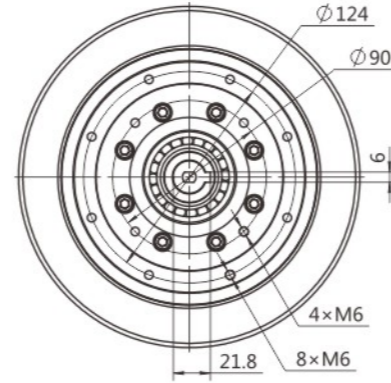
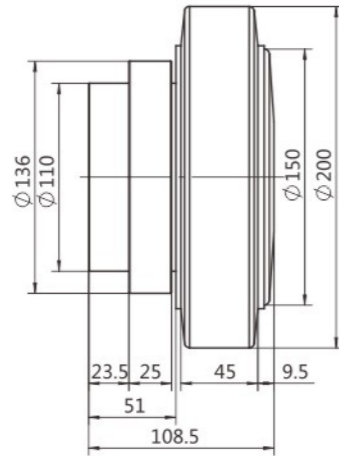
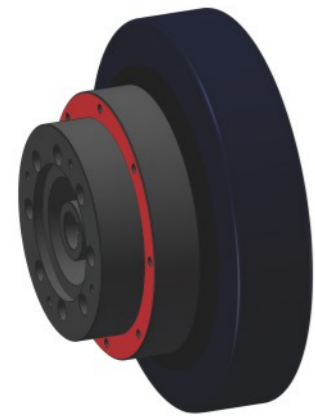
类型 Type	DC	伺服电机 Servo motor
电机功率 Motor power	W	400
电机电压 Motor voltage	V	48
电机转速 Motor speed	rpm	3000
电机电流 Motor current	A	11.95
额定扭矩 Rated Torque	N·m	1.27
防护等级 Protection level	IP	65

牵引减速机参数
Parameter table of traction reducer

类型 Type	X	行星减速机 Planetary reducer							
		i	16	20	25	28	35	40	50
减速机速比 Speed ratio of reducer	i	16	20	25	28	35	40	50	70
减速机扭矩 Reducer torque	N·m	30	30	33	30	33	30	33	21.5
聚氨酯承重 Polyurethane load-bearing	Kg	450							
橡胶承重 Rubber bearing	Kg	350							
最大速度 Maximum velocity	M/min	117.8	94.2	75.4	67.3	53.8	47.1	37.7	26.9
牵引力 Traction	N	182.9	228.6	285.8	270	297	270	297	193.5
牵引重量 Traction weight	参考 Reference	347.5	434.3	542.9	513	564.3	513	564.3	367.7

QDL 150 Series

ZL-QDL-150-200-750



牵引电机参数
Parameter list of traction motor

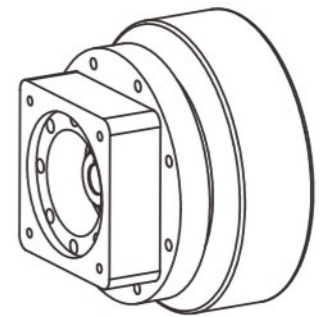
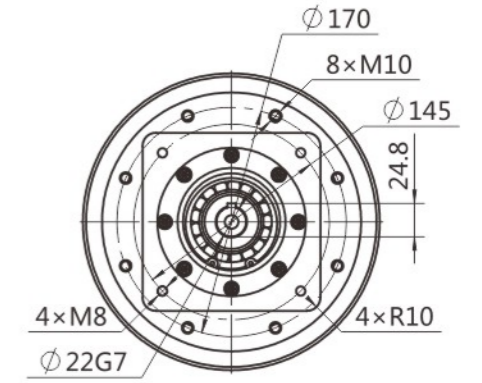
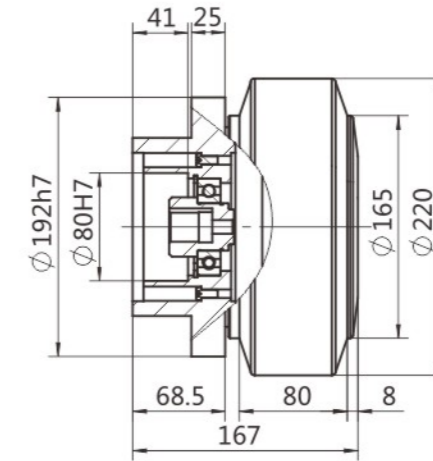
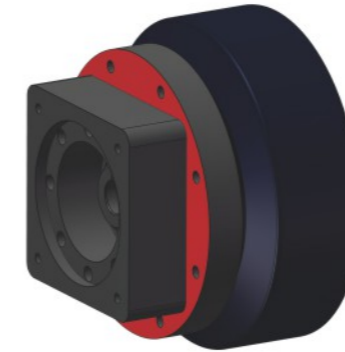
类型 Type	DC	伺服电机 Servo motor
电机功率 Motor power	W	750
电机电压 Motor voltage	V	48
电机转速 Motor speed	rpm	3000
电机电流 Motor current	A	22.4
额定扭矩 Rated Torque	N·m	2.39
防护等级 Protection level	IP	65

牵引减速机参数
Parameter table of traction reducer

类型 Type	X	行星减速机 Planetary reducer							
减速机速比 Speed ratio of reducer	i	16	20	25	28	35	40	50	70
减速机扭矩 Reducer torque	N·m	96	96	105	96	105	96	105	71.5
聚氨酯承重 Polyurethane load-bearing	Kg	450							
橡胶承重 Rubber bearing	Kg	350							
最大速度 Maximum velocity	M/min	117.8	94.2	75.4	67.3	53.8	47.1	37.7	26.9
牵引力 Traction	N	344.2	430.2	537.8	602.3	752.8	860.4	945	643.5
牵引重量 Traction weight	参考 Reference	653.9	817.4	1021.7	1144.3	1430.4	1634.8	1795.5	1222.7

QDL 165 Series

ZL-QDL-165-220-1500



牵引电机参数
Parameter list of traction motor

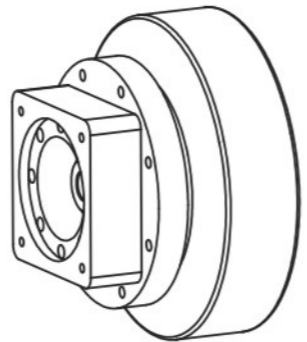
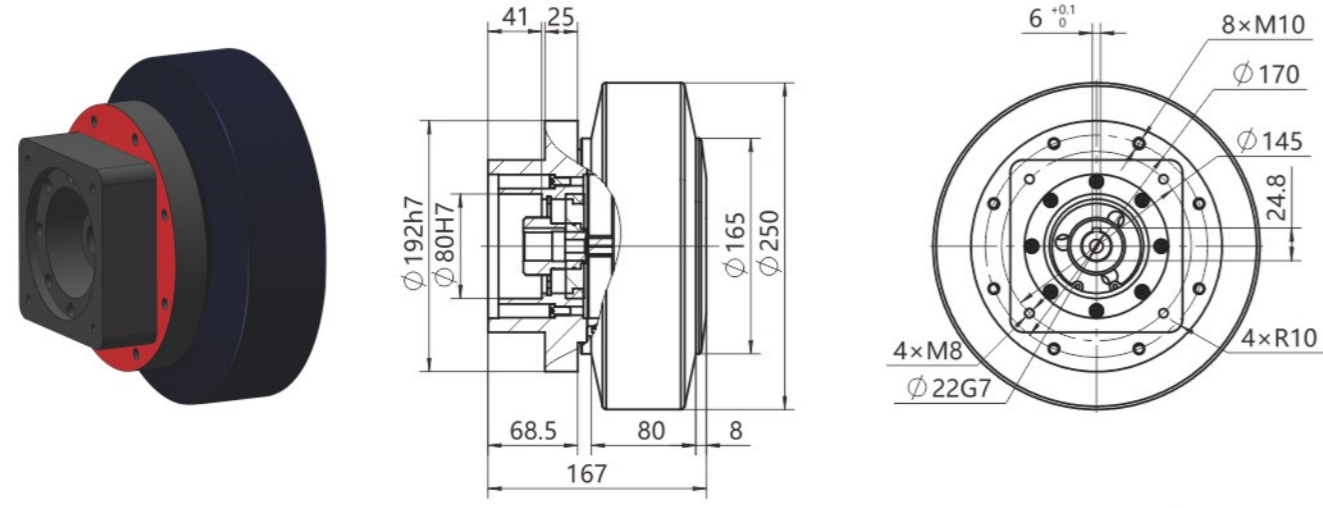
类型 Type	DC	伺服电机 Servo motor
电机功率 Motor power	W	1500
电机电压 Motor voltage	V	48
电机转速 Motor speed	rpm	3000
电机电流 Motor current	A	39
额定扭矩 Rated Torque	N·m	4.77
防护等级 Protection level	IP	65

牵引减速机参数
Parameter table of traction reducer

类型 Type	X	行星减速机 Planetary reducer							
减速机速比 Speed ratio of reducer	i	16	20	25	28	35	40	50	70
减速机扭矩 Reducer torque	N·m	250	250	264	250	264	250	264	177
聚氨酯承重 Polyurethane load-bearing	Kg	1120							
最大速度 Maximum velocity	M/min	129.5	103.6	82.9	74	59.2	51.8	41.4	29.6
牵引力 Traction	N	624.4	780.5	975.7	1092.8	1366	1561.1	1951	1448.2
牵引重量 Traction weight	参考 Reference	1186.4	1483	1853.8	2076.3	2595.3	2966.1	3708	2751

QDL 165 Serices

ZL-QDL-165-250-1500



牵引电机参数
Parameter list of traction motor

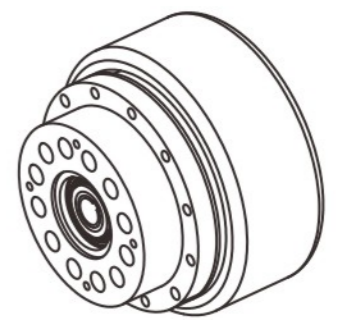
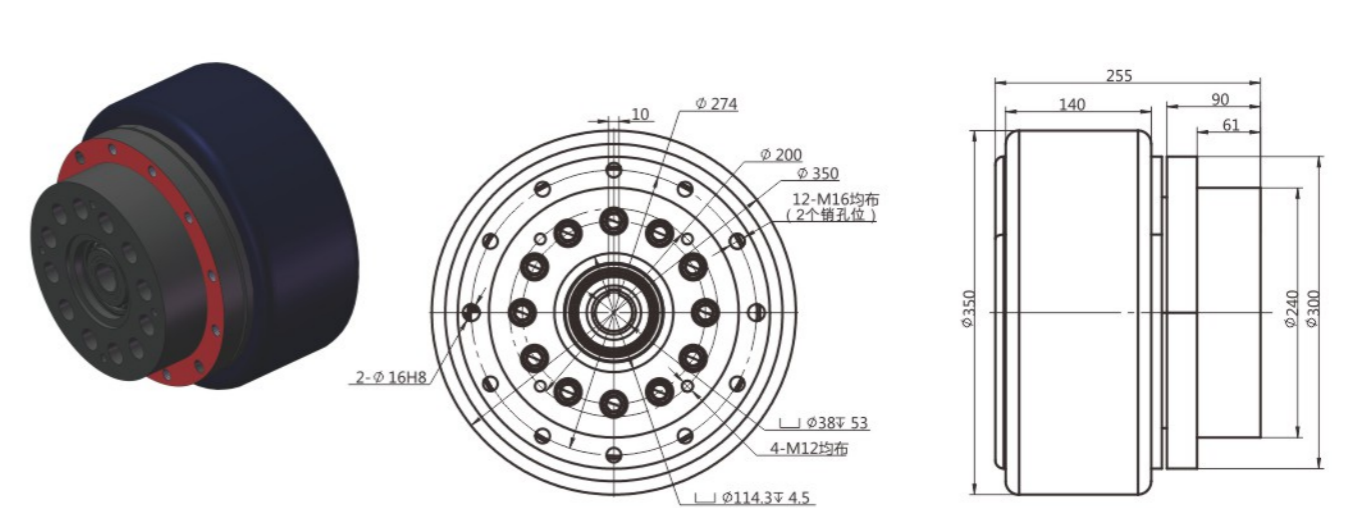
类型 Type	DC	伺服电机 Servo motor
电机功率 Motor power	W	1500
电机电压 Motor voltage	V	48
电机转速 Motor speed	rpm	3000
电机电流 Motor current	A	39
额定扭矩 Rated Torque	N·m	4.77
防护等级 Protection level	IP	65

牵引减速机参数
Parameter table of traction reducer

类型 Type	X	行星减速机 Planetary reducer							
减速机速比 Speed ratio of reducer	i	16	20	25	28	35	40	50	70
减速机扭矩 Reducer torque	N·m	250	250	264	250	264	250	264	177
聚氨酯承重 Polyurethane load-bearing	Kg	1150							
橡胶承重 Rubber bearing	Kg	750							
最大速度 Maximum velocity	M/min	147.2	117.8	94.2	84.1	67.3	58.9	47.1	33.6
牵引力 Traction	N	549.5	686.9	858.6	961.6	1202	1373.8	1717	1274.4
牵引重量 Traction weight	参考 Reference	1044.1	1305	1631.3	1827.1	2283.9	2610.1	3263	2421.9

QDL 300 Serices

ZL-QDL-300-350-7500



牵引电机参数
Parameter list of traction motor

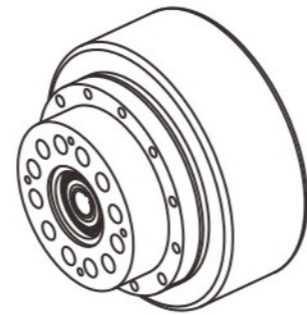
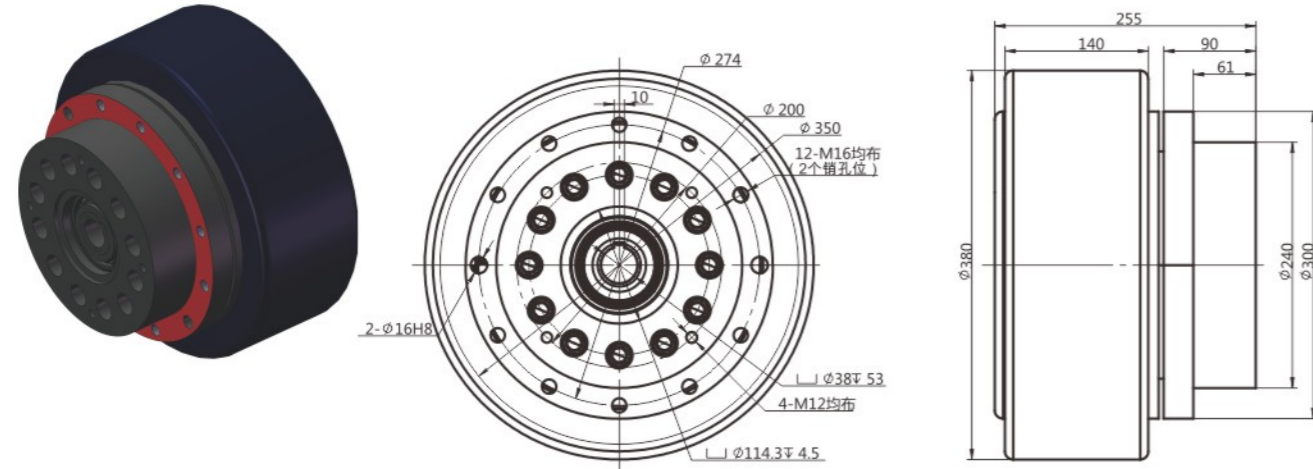
类型 Type	DC	伺服电机 Servo motor
电机功率 Motor power	W	7500
电机电压 Motor voltage	V	72
电机转速 Motor speed	rpm	2000
电机电流 Motor current	A	135±10%
额定扭矩 Rated Torque	N·m	35
防护等级 Protection level	IP	65

牵引减速机参数
Parameter table of traction reducer

类型 Type	X	行星减速机 Planetary reducer							
减速机速比 Speed ratio of reducer	i	16	20	25	28	35	40	50	70
减速机扭矩 Reducer torque	N·m	1300	1300	1100	1300	1100	1300	1100	800
聚氨酯承重 Polyurethane load-bearing	Kg	2500							
最大速度 Maximum velocity	M/min	137.4	109.9	87.9	78.5	62.8	55.0	44.0	31.4
牵引力 Traction	N	2880.0	3600.0	4500.0	5040.0	5657.1	6685.7	5657.1	4114.3
牵引重量 Traction weight	参考 Reference	5472.0	6840.0	8550.0	9576.0	10748.6	12702.9	10748.6	7817.1

QDL 300 Series

ZL-QDL-300-380-7500



牵引电机参数
Parameter list of traction motor

类型 Type	DC	伺服电机 Servo motor
电机功率 Motor power	W	7500
电机电压 Motor voltage	V	72
电机转速 Motor speed	rpm	2000
电机电流 Motor current	A	135±10%
额定扭矩 Rated Torque	N·m	35
防护等级 Protection level	IP	65

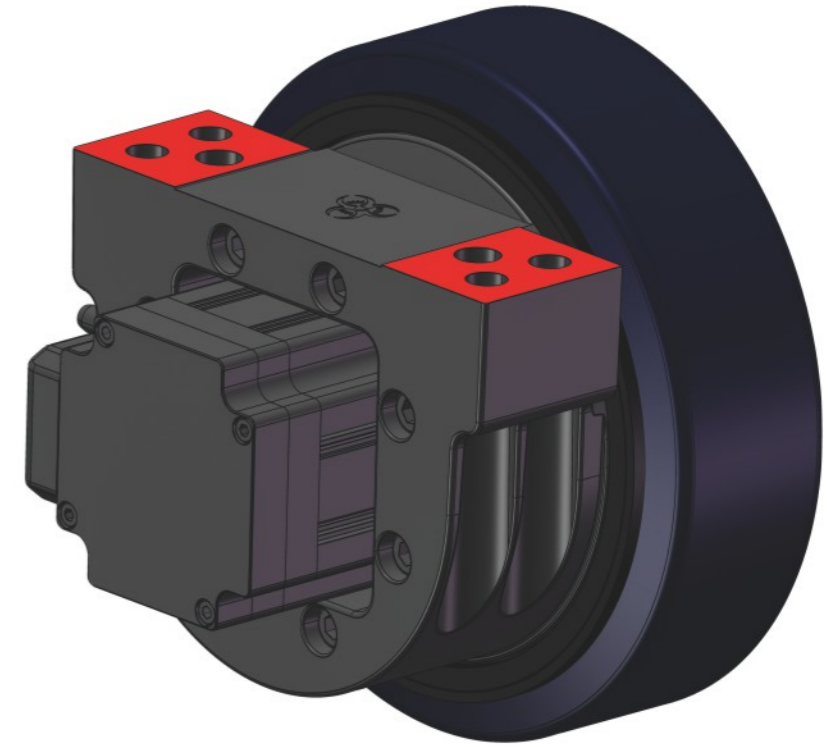
牵引减速机参数
Parameter table of traction reducer

类型 Type	X	行星减速机 Planetary reducer							
减速机速比 Speed ratio of reducer	i	16	20	25	28	35	40	50	70
减速机扭矩 Reducer torque	N·m	1300	1300	1100	1300	1100	1300	1100	800
聚氨酯承重 Polyurethane load-bearing	Kg	3000							
最大速度 Maximum velocity	M/min	149.2	119.3	95.5	85.2	68.2	59.7	47.7	34.1
牵引力 Traction	N	2652.6	3315.8	4144.7	4642.1	5210.5	6157.9	5210.5	3789.5
牵引重量 Traction weight	参考 Reference	5040.0	6300.0	7875.0	8820.0	9900.0	11700.0	9900.0	7200.0

- ✓ XZS 95
- ✓ XZS 125
- ✓ XZS 150
- ✓ XZS 165

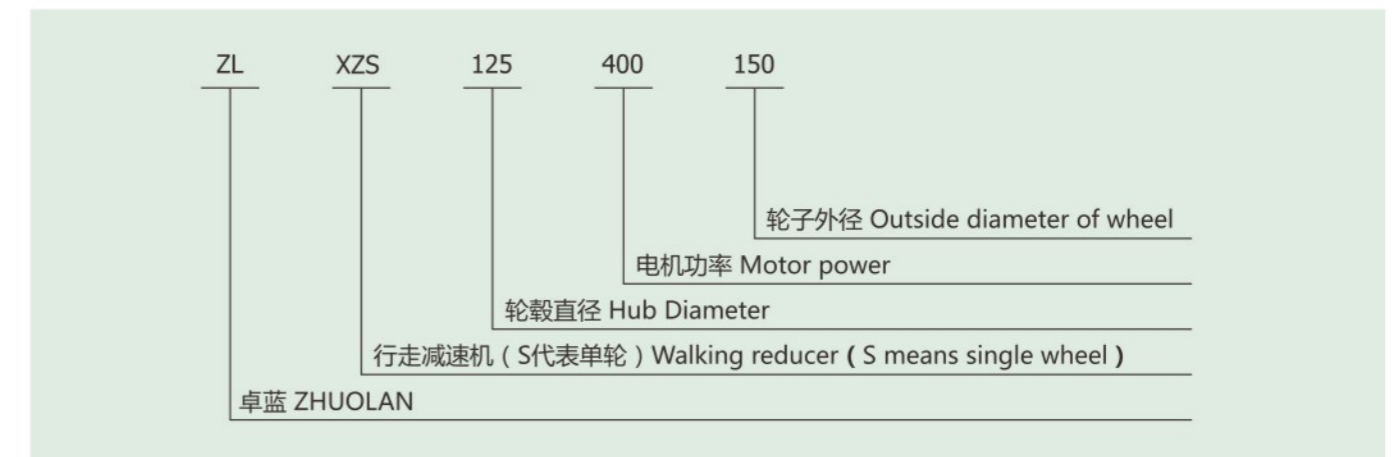
XZS

Series



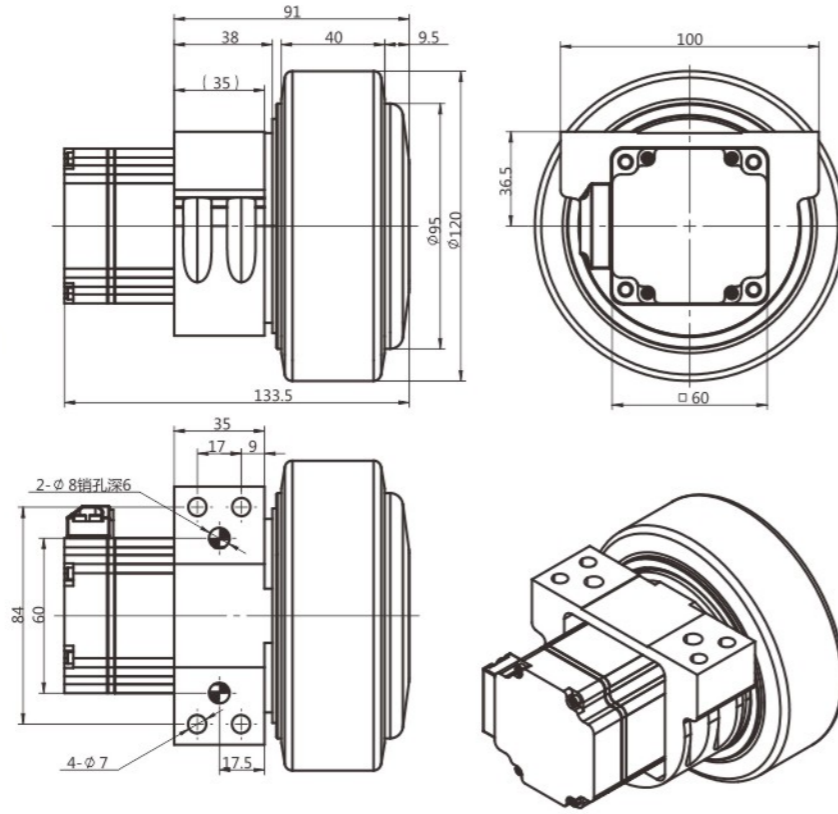
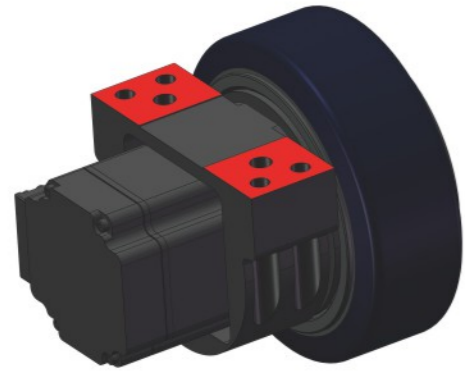
XZS系列型号说明

XZS series model description



XZS 95 Serices

ZL-XZS-95-400-120



牵引电机参数
Parameter list of traction motor

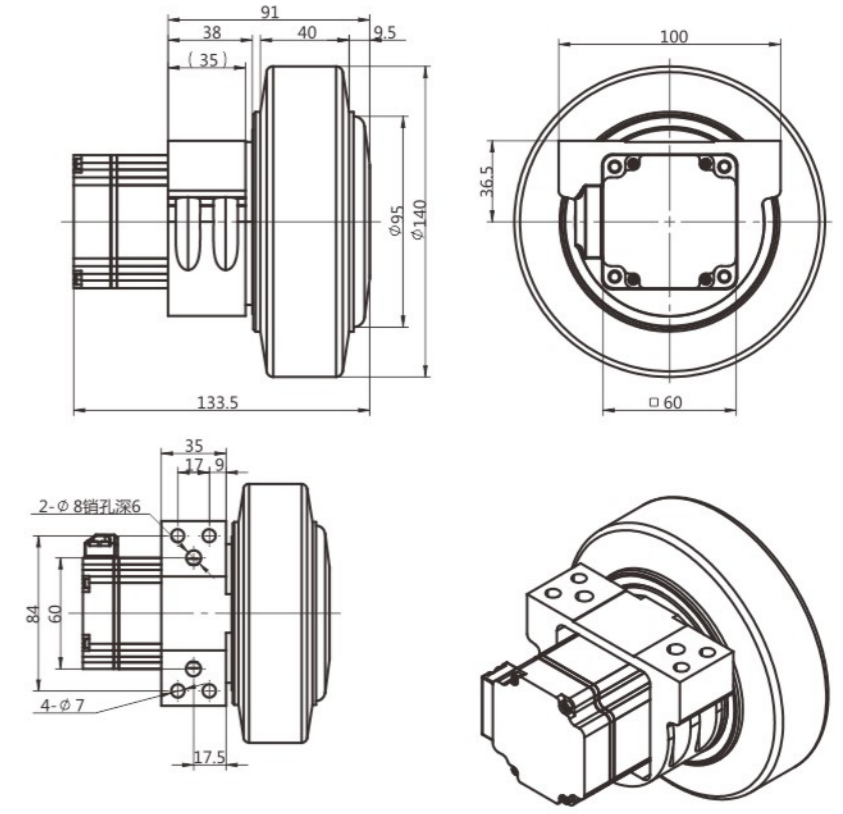
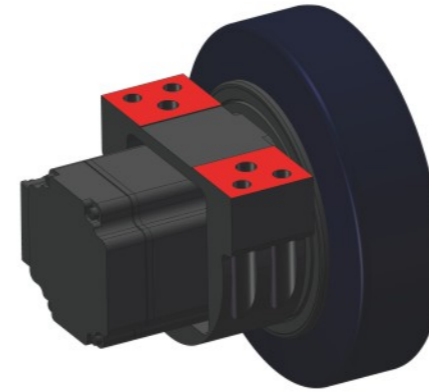
类型 Type	DC	伺服电机 Servo motor
电机功率 Motor power	W	400
电机电压 Motor voltage	V	48
电机转速 Motor speed	rpm	3000
电机电流 Motor current	A	11.95
额定扭矩 Rated Torque	N·m	1.27
防护等级 Protection level	IP	65

牵引减速机参数
Parameter table of traction reducer

类型 Type	X	行星减速机 Planetary reducer							
减速机速比 Speed ratio of reducer	i	16	20	25	28	35	40	50	70
减速机扭矩 Reducer torque	N·m	30	30	33	30	33	30	33	21.5
聚氨酯承重 Polyurethane load-bearing	Kg	150							
最大速度 Maximum velocity	M/min	70.7	56.5	45.2	40.4	32.3	28.3	22.6	16.1
牵引力 Traction	N	304.8	381.0	476.3	450.0	495.0	450.0	495.0	322.5
牵引重量 Traction weight	参考 Reference	579.1	723.9	904.9	855.0	940.5	855.0	940.5	612.8

XZS 95 Serices

ZL-XZS-95-400-140



牵引电机参数
Parameter list of traction motor

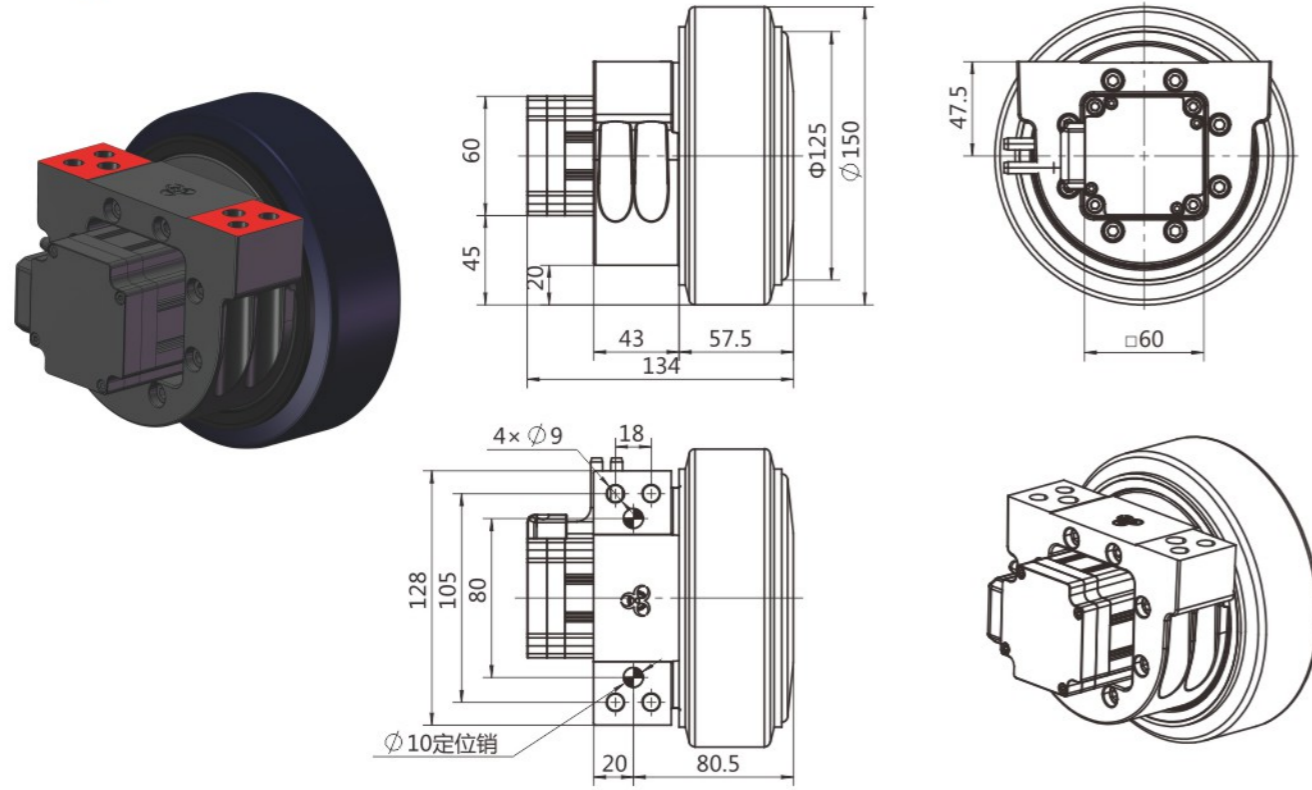
类型 Type	DC	伺服电机 Servo motor
电机功率 Motor power	W	400
电机电压 Motor voltage	V	48
电机转速 Motor speed	rpm	3000
电机电流 Motor current	A	10.6
额定扭矩 Rated Torque	N·m	1.27
防护等级 Protection level	IP	65

牵引减速机参数
Parameter table of traction reducer

类型 Type	X	行星减速机 Planetary reducer							
减速机速比 Speed ratio of reducer	i	16	20	25	28	35	40	50	70
减速机扭矩 Reducer torque	N·m	30	30	33	30	33	30	33	21.5
聚氨酯承重 Polyurethane load-bearing	Kg	300							
最大速度 Maximum velocity	M/min	82.4	65.9	52.8	47.1	37.7	33.0	26.4	18.8
牵引力 Traction	N	261.3	326.6	408.2	385.7	424.3	385.7	424.3	276.4
牵引重量 Traction weight	参考 Reference	496.4	620.5	775.6	732.9	806.1	732.9	806.1	525.2

XZS 125 Serices

ZL-XZS-125-400-150



牵引电机参数
Parameter list of traction motor

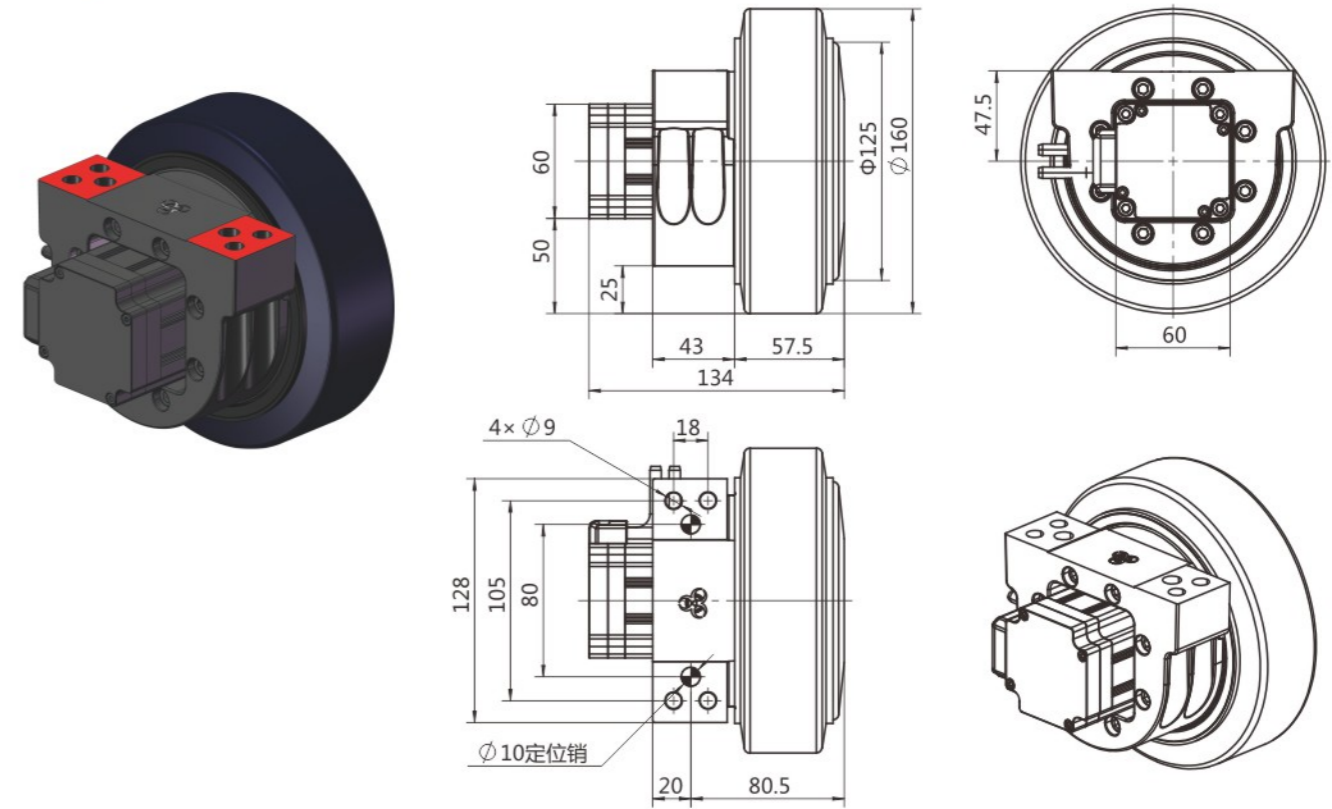
类型 Type	DC	伺服电机 Servo motor
电机功率 Motor power	W	400
电机电压 Motor voltage	V	48
电机转速 Motor speed	rpm	3000
电机电流 Motor current	A	11.95
额定扭矩 Rated Torque	N·m	1.27
防护等级 Protection level	IP	65

牵引减速机参数
Parameter table of traction reducer

类型 Type	X	行星减速机 Planetary reducer							
减速机速比 Speed ratio of reducer	i	16	20	25	28	35	40	50	70
减速机扭矩 Reducer torque	N·m	30	30	33	30	33	30	33	21.5
聚氨酯承重 Polyurethane load-bearing	Kg	300							
最大速度 Maximum velocity	M/min	88.3	70.7	56.5	50.5	40.4	35.3	28.3	20.2
牵引力 Traction	N	243.8	304.8	381	360	396	360	396	258
牵引重量 Traction weight	参考 Reference	463.3	579.1	723.9	684	752.4	684	752.4	490.2

XZS 125 Serices

ZL-XZS-125-400-160



牵引电机参数
Parameter list of traction motor

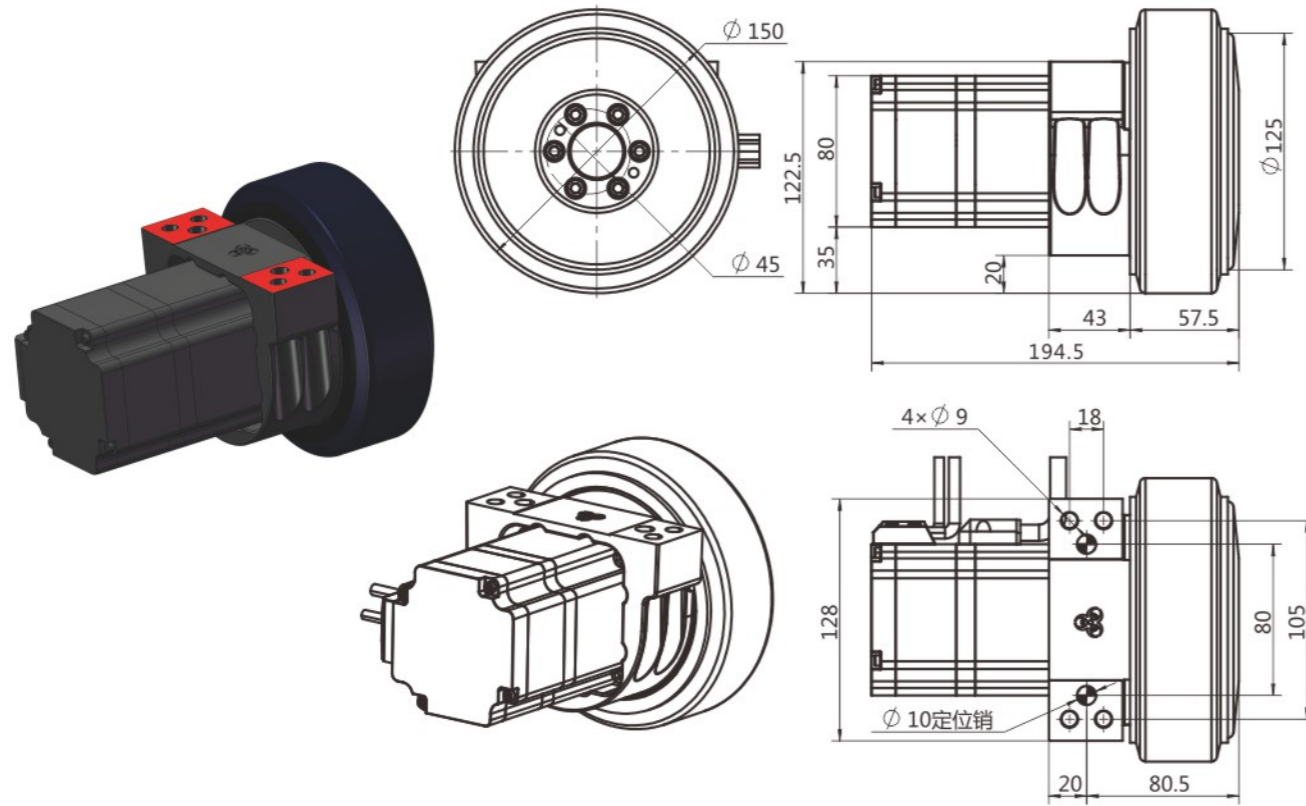
类型 Type	DC	伺服电机 Servo motor
电机功率 Motor power	W	400
电机电压 Motor voltage	V	48
电机转速 Motor speed	rpm	3000
电机电流 Motor current	A	11.95
额定扭矩 Rated Torque	N·m	1.27
防护等级 Protection level	IP	65

牵引减速机参数
Parameter table of traction reducer

类型 Type	X	行星减速机 Planetary reducer							
减速机速比 Speed ratio of reducer	i	16	20	25	28	35	40	50	70
减速机扭矩 Reducer torque	N·m	30	30	33	30	33	30	33	21.5
聚氨酯承重 Polyurethane load-bearing	Kg	350							
最大速度 Maximum velocity	M/min	94.2	75.4	60.3	53.8	43.1	37.7	30.1	21.5
牵引力 Traction	N	228.6	285.8	357.2	337.5	371.3	337.5	371.3	241.9
牵引重量 Traction weight	参考 Reference	434.3	542.9	678.7	641.3	705.4	641.3	705.4	459.6

XZS 125 Series

ZL-XZS-125-750-150



牵引电机参数
Parameter list of traction motor

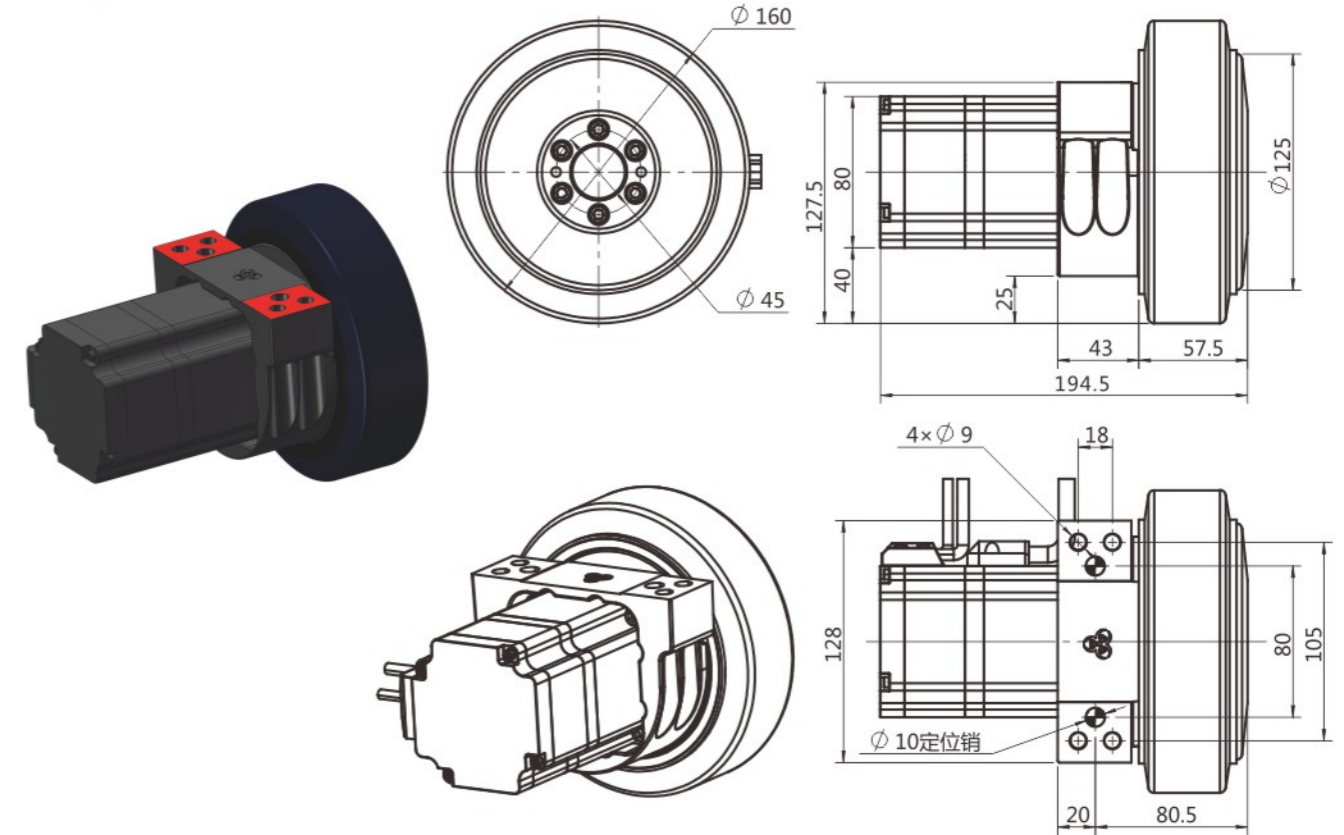
类型 Type	DC	伺服电机 Servo motor
电机功率 Motor power	W	750
电机电压 Motor voltage	V	48
电机转速 Motor speed	rpm	3000
电机电流 Motor current	A	22.4
额定扭矩 Rated Torque	N·m	2.39
防护等级 Protection level	IP	65

牵引减速机参数
Parameter table of traction reducer

类型 Type	X	行星减速机 Planetary reducer							
减速机速比 Speed ratio of reducer	i	16	20	25	28	35	40	50	70
减速机扭矩 Reducer torque	N·m	96	96	105	96	105	96	105	71.5
聚氨酯承重 Polyurethane load-bearing	Kg	300							
最大速度 Maximum velocity	M/min	88.3	70.7	56.5	50.5	40.4	35.3	28.3	20.2
牵引力 Traction	N	458.9	573.6	717	803	1003.8	1147.2	1260	858
牵引重量 Traction weight	参考 Reference	871.9	1090	1362.3	1525.8	1907.2	2179.7	2394	1630.2

XZS 125 Series

ZL-XZS-125-750-160



牵引电机参数
Parameter list of traction motor

类型 Type	DC	伺服电机 Servo motor
电机功率 Motor power	W	750
电机电压 Motor voltage	V	48
电机转速 Motor speed	rpm	3000
电机电流 Motor current	A	22.4
额定扭矩 Rated Torque	N·m	2.39
防护等级 Protection level	IP	65

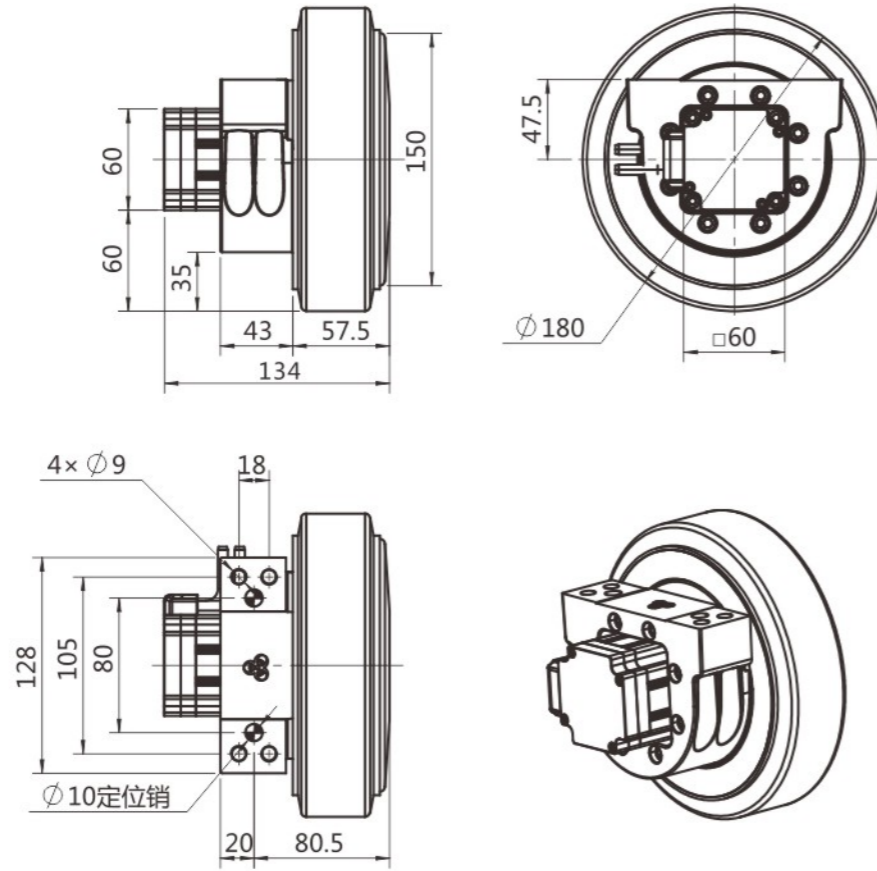
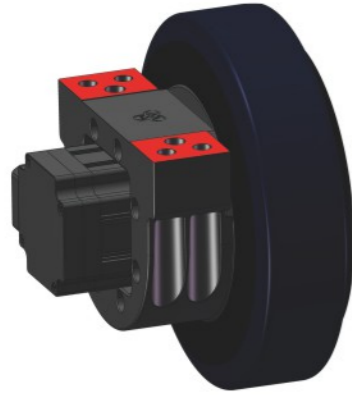
牵引减速机参数
Parameter table of traction reducer

类型 Type	X	行星减速机 Planetary reducer							
减速机速比 Speed ratio of reducer	i	16	20	25	28	35	40	50	70
减速机扭矩 Reducer torque	N·m	96	96	105	96	105	96	105	71.5
聚氨酯承重 Polyurethane load-bearing	Kg	350							
最大速度 Maximum velocity	M/min	94.2	75.4	60.3	53.8	43.1	37.7	30.1	21.5
牵引力 Traction	N	430.2	537.8	672.2	752.9	941.1	1075.5	1181	804.4
牵引重量 Traction weight	参考 Reference	817.4	1022	1277.2	1430.4	1788	2043.5	2244	1528.3

XZS 150 Series

ZL-XZS-150-400-180

SZX



牵引电机参数
Parameter list of traction motor

类型 Type	DC	伺服电机 Servo motor
电机功率 Motor power	W	400
电机电压 Motor voltage	V	48
电机转速 Motor speed	rpm	3000
电机电流 Motor current	A	11.95
额定扭矩 Rated Torque	N-m	1.27
防护等级 Protection level	IP	65



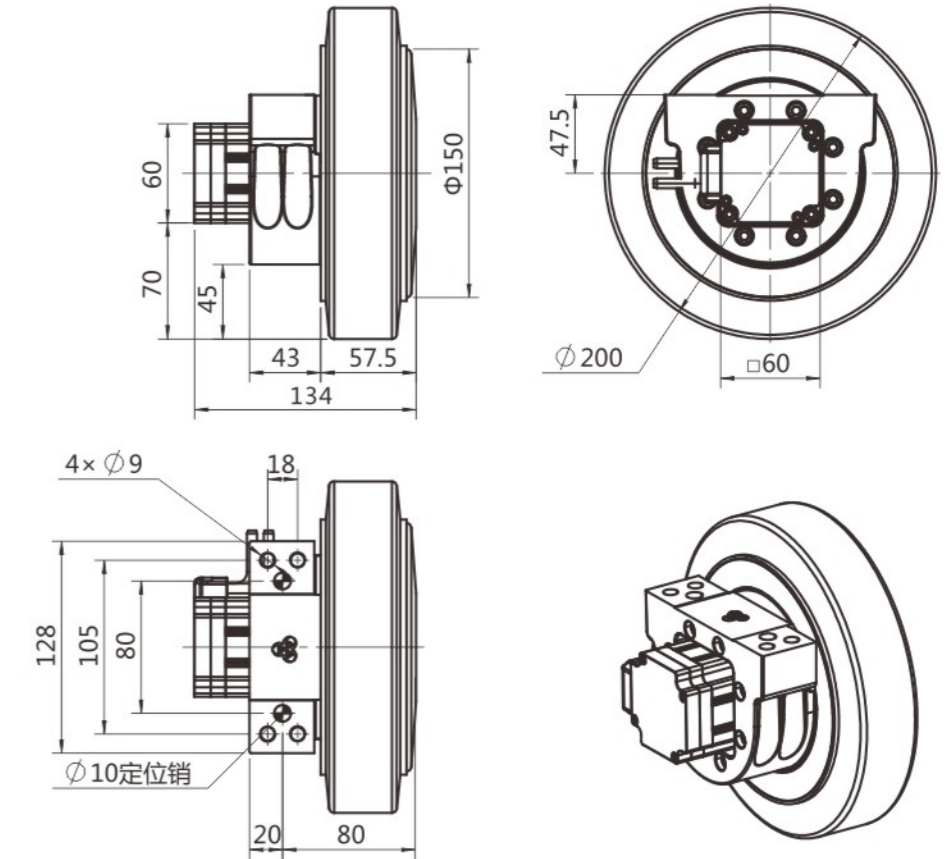
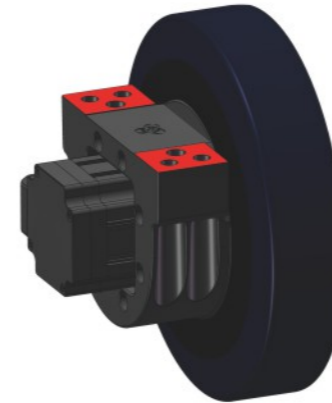
牵引减速机参数
Parameter table of traction reducer

类型 Type	X	行星减速机 Planetary reducer							
减速机速比 Speed ratio of reducer	i	16	20	25	28	35	40	50	70
减速机扭矩 Reducer torque	N-m	30	30	33	30	33	30	33	21.5
聚氨酯承重 Polyurethane load-bearing	Kg	400							
橡胶承重 Rubber bearing	Kg	300							
最大速度 Maximum velocity	M/min	106	84.8	67.8	60.6	48.4	42.4	33.9	24.2
牵引力 Traction	N	203.2	254	317.5	300	330	300	330	215
牵引重量 Traction weight	参考 Reference	386.1	482.6	603.3	570	627	570	627	408.5

XZS 150 Series

ZL-XZS-150-400-200

SZX



牵引电机参数
Parameter list of traction motor

类型 Type	DC	伺服电机 Servo motor
电机功率 Motor power	W	400
电机电压 Motor voltage	V	48
电机转速 Motor speed	rpm	3000
电机电流 Motor current	A	11.95
额定扭矩 Rated Torque	N-m	1.27
防护等级 Protection level	IP	65



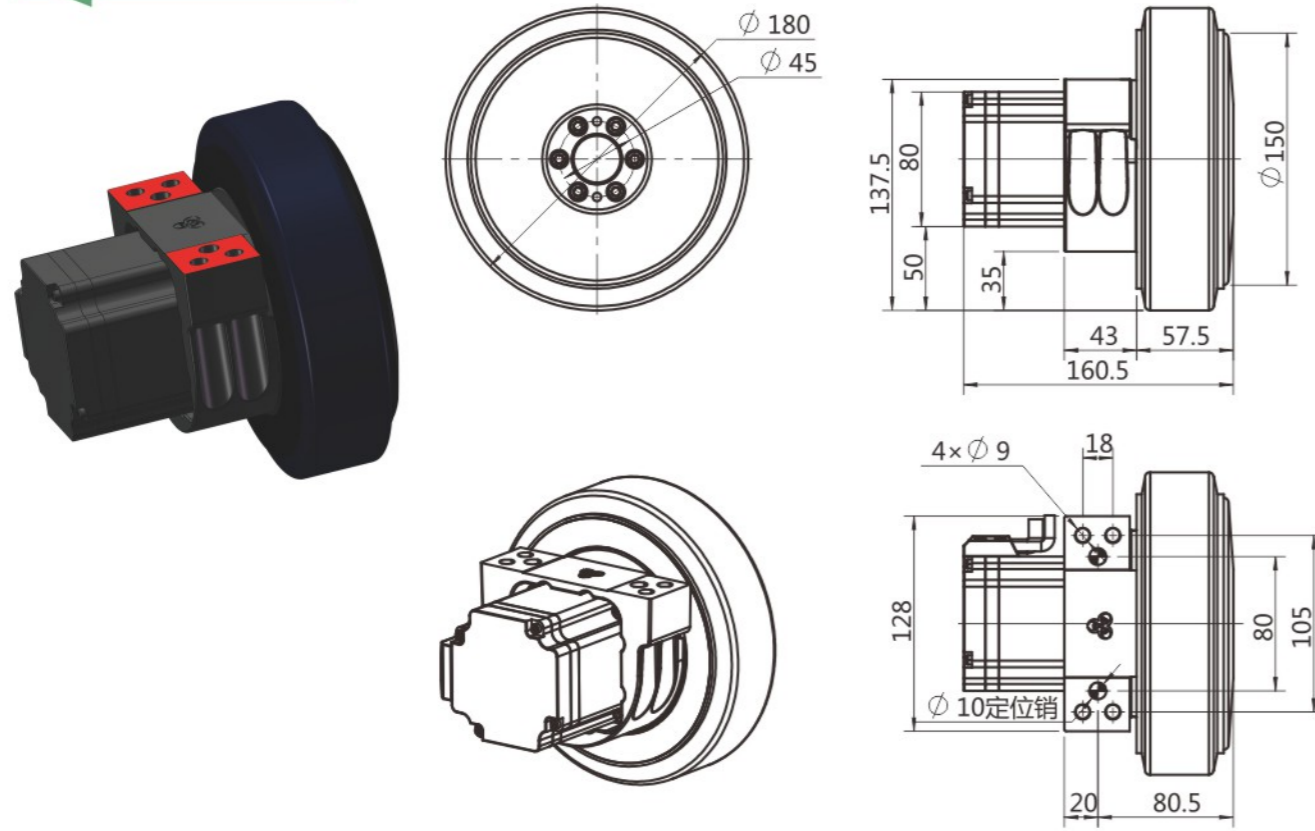
牵引减速机参数
Parameter table of traction reducer

类型 Type	X	行星减速机 Planetary reducer							
减速机速比 Speed ratio of reducer	i	16	20	25	28	35	40	50	70
减速机扭矩 Reducer torque	N-m	30	30	33	30	33	30	33	21.5
聚氨酯承重 Polyurethane load-bearing	Kg	450							
橡胶承重 Rubber bearing	Kg	350							
最大速度 Maximum velocity	M/min	117.8	94.2	75.4	67.3	53.8	47.1	37.7	26.9
牵引力 Traction	N	182.9	228.6	285.8	270	297	270	297	193.5
牵引重量 Traction weight	参考 Reference	347.5	434.3	542.9	513	564.3	513	564.3	367.7

XZS Series

XZS 150 Series

ZL-XZS-150-750-180



牵引电机参数
Parameter list of traction motor

类型 Type	DC	伺服电机 Servo motor
电机功率 Motor power	W	750
电机电压 Motor voltage	V	48
电机转速 Motor speed	rpm	3000
电机电流 Motor current	A	22.4
额定扭矩 Rated Torque	N·m	2.39
防护等级 Protection level	IP	65

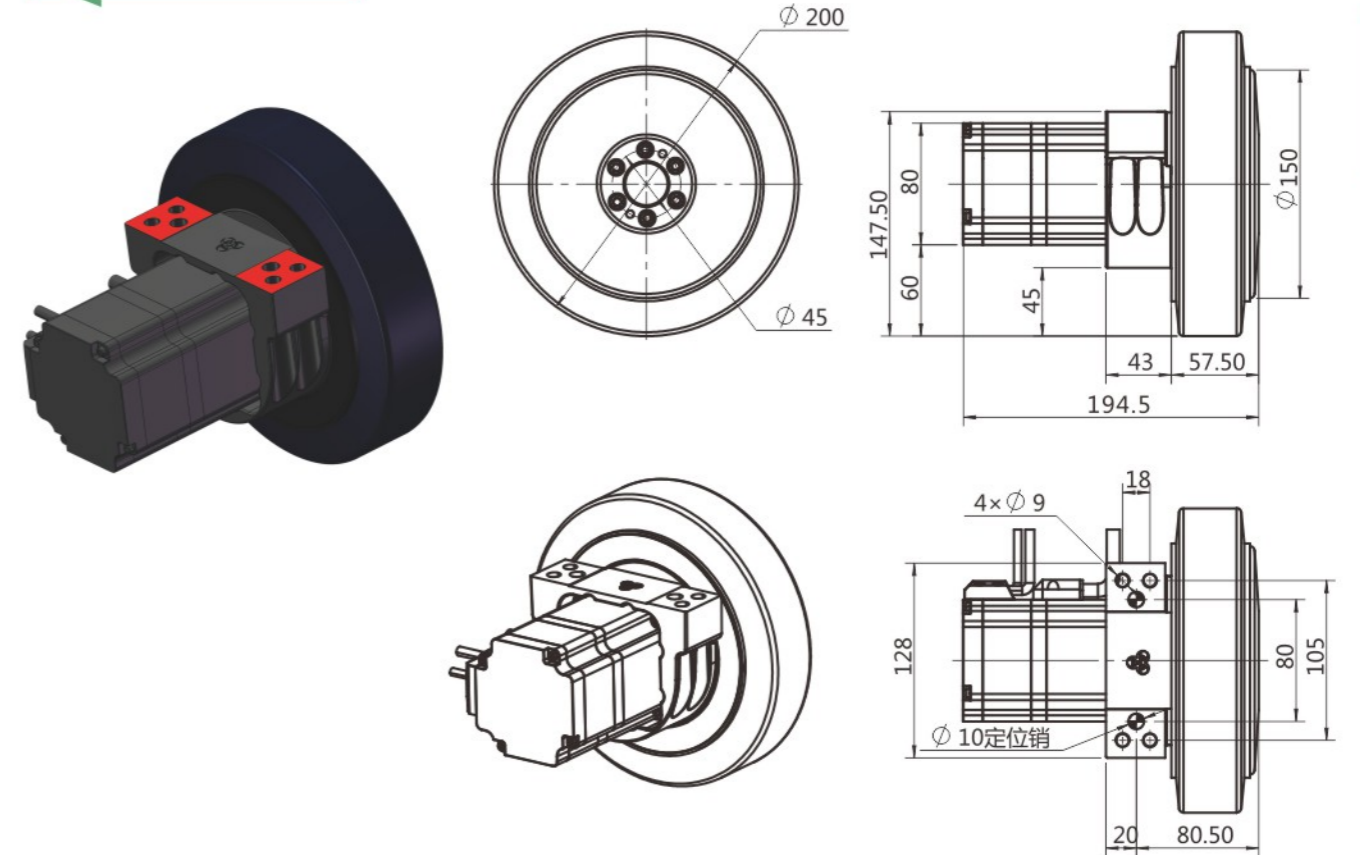


牵引减速机参数
Parameter table of traction reducer

类型 Type	X	行星减速机 Planetary reducer							
减速机速比 Speed ratio of reducer	i	16	20	25	28	35	40	50	70
减速机扭矩 Reducer torque	N·m	96	96	105	96	105	96	105	71.5
聚氨酯承重 Polyurethane load-bearing	Kg	400							
橡胶承重 Rubber bearing	Kg	300							
最大速度 Maximum velocity	M/min	106	84.8	67.8	60.6	48.4	42.4	33.9	24.2
牵引力 Traction	N	382.4	478	597.5	669.2	836.5	956	1050	715
牵引重量 Traction weight	参考 Reference	726.6	908.2	1135.3	1271.5	1589.4	1816.4	1995	1358.5

XZS 150 Series

ZL-XZS-150-750-200



牵引电机参数
Parameter list of traction motor

类型 Type	DC	伺服电机 Servo motor
电机功率 Motor power	W	750
电机电压 Motor voltage	V	48
电机转速 Motor speed	rpm	3000
电机电流 Motor current	A	22.4
额定扭矩 Rated Torque	N·m	2.39
防护等级 Protection level	IP	65

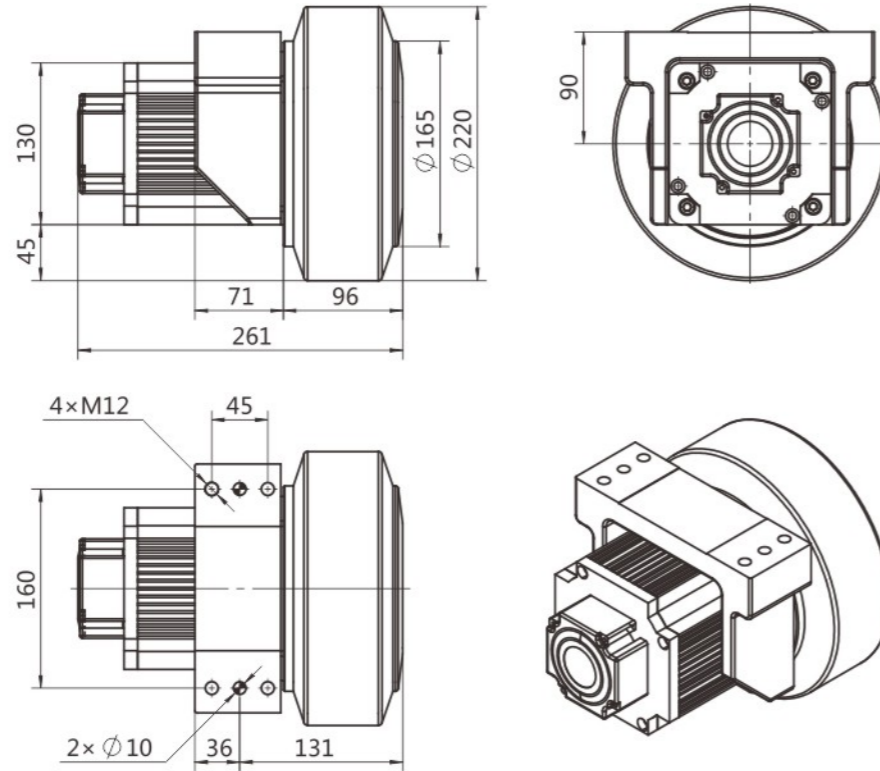
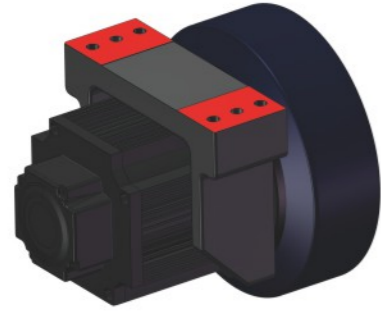


牵引减速机参数
Parameter table of traction reducer

类型 Type	X	行星减速机 Planetary reducer							
减速机速比 Speed ratio of reducer	i	16	20	25	28	35	40	50	70
减速机扭矩 Reducer torque	N·m	96	96	105	96	105	96	105	71.5
聚氨酯承重 Polyurethane load-bearing	Kg	450							
橡胶承重 Rubber bearing	Kg	350							
最大速度 Maximum velocity	M/min	117.8	94.2	75.4	67.3	53.8	47.1	37.7	26.9
牵引力 Traction	N	344.2	430.2	537.8	602.3	752.9	860.4	945	643.5
牵引重量 Traction weight	参考 Reference	653.9	817.4	1021.7	1144.3	1430.4	1634.8	1795	1222.7

XZS 165 Serices

ZL-XZS-165-1500A-220



牵引电机参数
Parameter list of traction motor

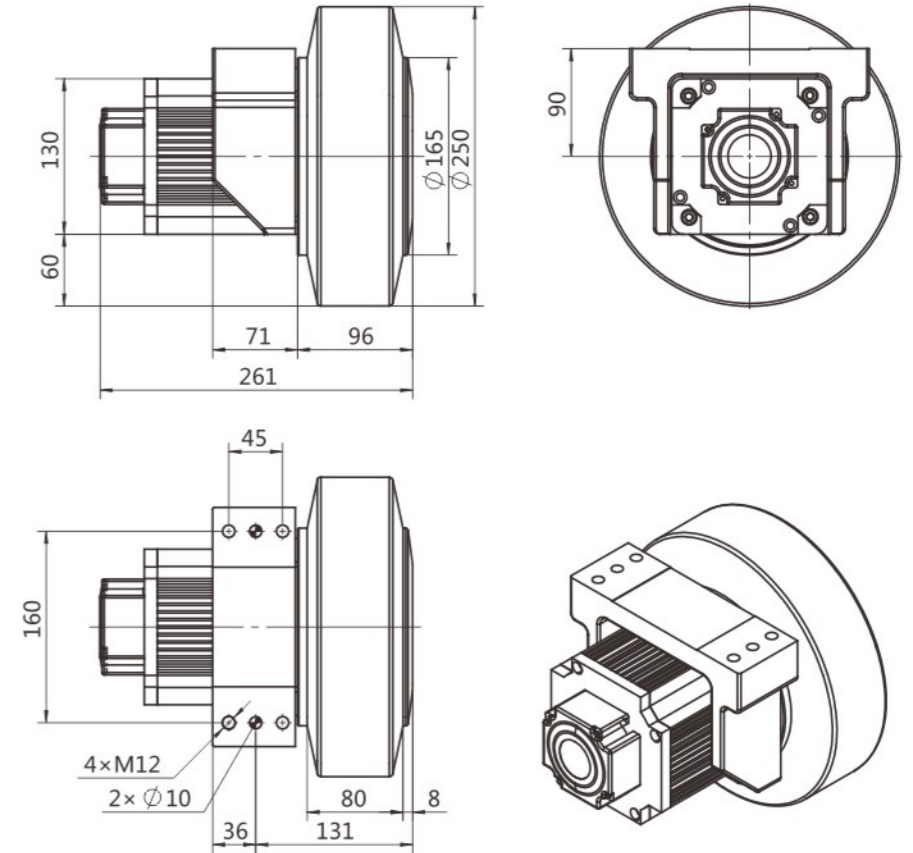
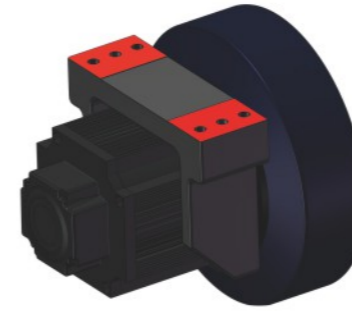
类型 Type	DC	伺服电机 Servo motor
电机功率 Motor power	W	1500
电机电压 Motor voltage	V	48
电机转速 Motor speed	rpm	3000
电机电流 Motor current	A	39
额定扭矩 Rated Torque	N·m	4.77
防护等级 Protection level	IP	65

牵引减速机参数
Parameter table of traction reducer

类型 Type	X	行星减速机 Planetary reducer							
减速机速比 Speed ratio of reducer	i	16	20	25	28	35	40	50	70
减速机扭矩 Reducer torque	N·m	250	250	264	250	264	250	264	177
聚氨酯承重 Polyurethane load-bearing	Kg	1120							
最大速度 Maximum velocity	M/min	129.5	103.6	82.9	74	59.2	51.8	41.4	29.6
牵引力 Traction	N	624.4	780.5	975.7	1092.8	1366	1561.1	1951.4	1448.2
牵引重量 Traction weight	参考 Reference	1186.4	1483	1853.8	2076.3	2595.3	2966.1	3707.6	2751.5

XZS 165 Serices

ZL-XZS-165-1500A-250



牵引电机参数
Parameter list of traction motor

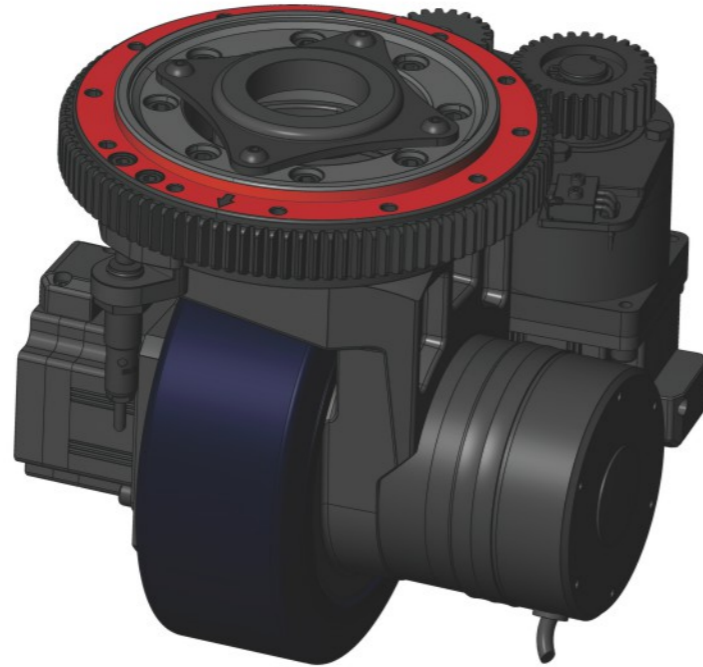
类型 Type	DC	伺服电机 Servo motor
电机功率 Motor power	W	1500
电机电压 Motor voltage	V	48
电机转速 Motor speed	rpm	3000
电机电流 Motor current	A	39
额定扭矩 Rated Torque	N·m	4.77
防护等级 Protection level	IP	65

牵引减速机参数
Parameter table of traction reducer

类型 Type	X	行星减速机 Planetary reducer							
减速机速比 Speed ratio of reducer	i	16	20	25	28	35	40	50	70
减速机扭矩 Reducer torque	N·m	250	250	264	250	264	250	264	177
聚氨酯承重 Polyurethane load-bearing	Kg	1150							
橡胶承重 Rubber bearing	Kg	750							
最大速度 Maximum velocity	M/min	147.2	117.8	94.2	84.1	67.3	58.9	47.1	33.6
牵引力 Traction	N	549.5	686.9	858.6	961.6	1202	1373.8	1717.2	1274.4
牵引重量 Traction weight	参考 Reference	1044.1	1305.1	1631.3	1827.1	2283.9	2610.1	3262.7	2421.4



- WDS 150
- WDS 200
- WDS 250
- WDS 300
- WDS 400
- WDS 500

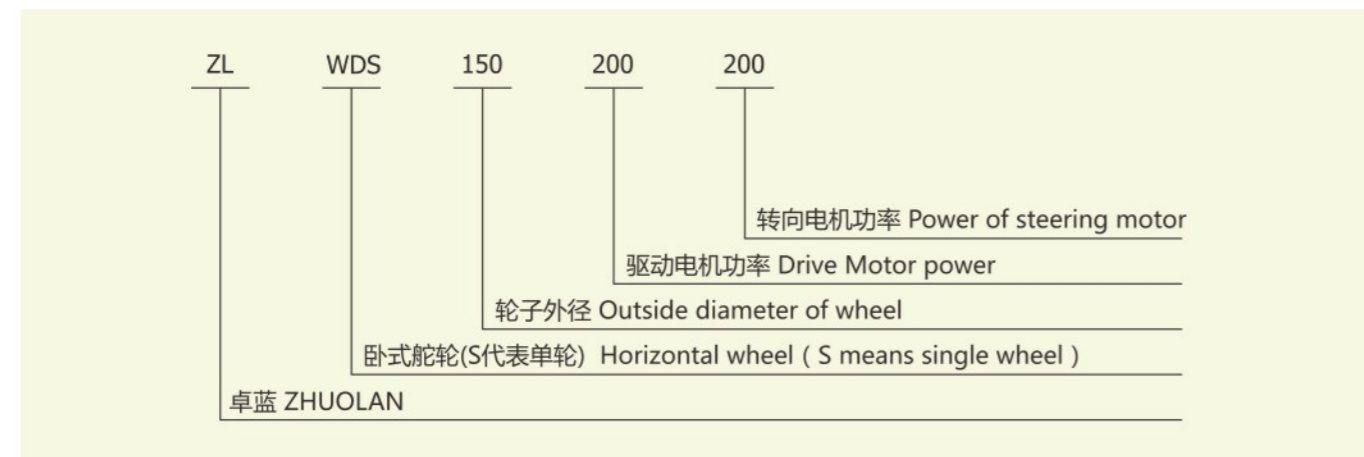


WDS

Series

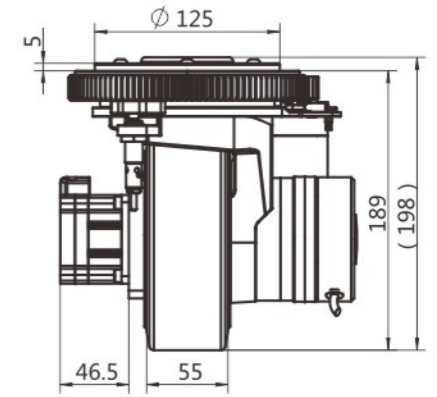
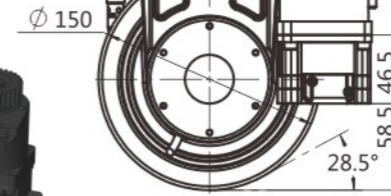
WDS系列型号说明

WDS series model description



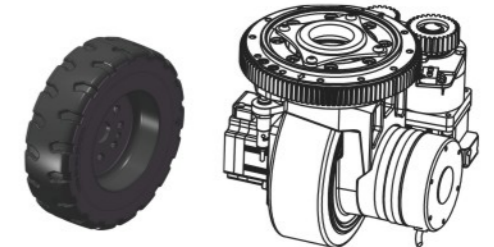
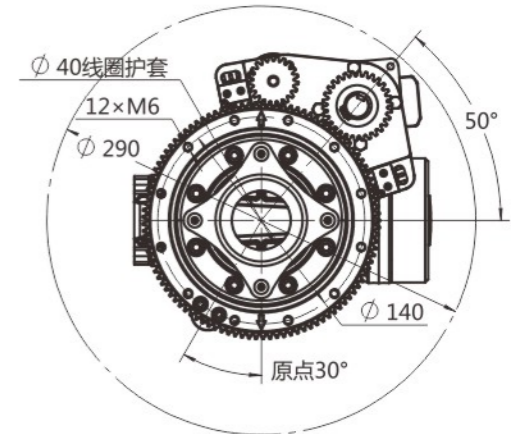
WDS 150 Series

ZL-WDS-150-200-200



行走电机参数
Parameters of walking motor

电机类型 Motor type		伺服电机 Servo motor		
电机功率 Motor power	W	200		
电机电压 Motor voltage	V(DC)	48		
电机电流 Motor current	A	5.98		
电机转速 Motor speed	rpm	3000		
电机扭矩 Motor Torque	N-m	0.637		
防护等级 Protection level	IP	54		
电机编码器 Motor encoder		增量磁编 Magnetic coding		
行走减速比 Walking reducer		20	34	68
行走速度 Walking speed	m/min	70.65	41.55	20.77
舵轮输出扭矩 Output Torque	N-m	12	20	40
牵引力 Traction	N	160	266	533
参考牵引重量 Reference Traction weight	Kg	240	400	800
聚氨酯承重 Polyurethane load-bearing	Kg	550		
橡胶承重 Rubber bearing	Kg	300		

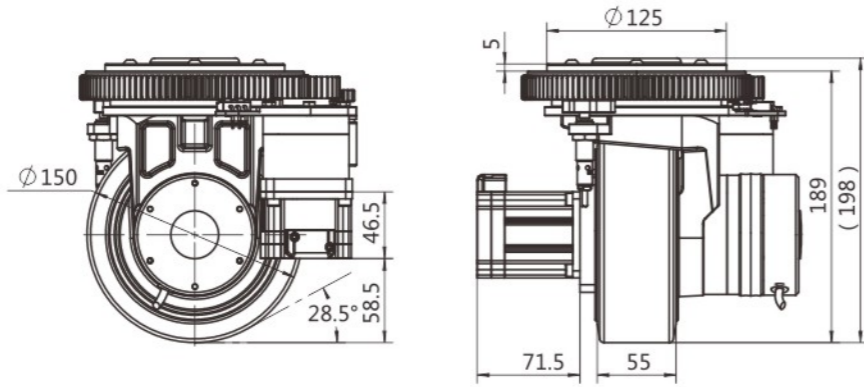


牵引减速机参数
Parameter table of traction reducer

转向电机参数 Steering Motor parameters	电机类型 Motor type		伺服电机 Servo motor	
	电机功率 Motor power	W	200	
	电机电压 Motor voltage	V(DC)	48	
	电机电流 Motor current	A	5.98	
	电机转速 Motor speed	rpm	3000	
	电机扭矩 Motor Torque	N-m	0.637	
	防护等级 Protection level	IP	54	
	电机编码器 Motor encoder		增量磁编 Magnetic coding	
	减速器速比 Speed ratio of reducer	i	35	
	回转支承齿数 Slewing gear	105	齿数比3.5 : 1 Gear ratio 3.5 : 1	
	转向齿轮齿数 Number of steering gear teeth	30		
	总转向速比 Total steering ratio	i	122.5	
	编码器齿轮齿数 Number of teeth of encoder gear	Z	21	
	转向角度 Steering Angle	°	±140	
制动器 Brake	工作电压 Working voltage	V(DC)	48	
	制动扭矩 Braking torque	N-m	4	
角度传感器 Angle Sensor	型号 Type	SICK	DBS36E-S3EK02000	
限位开关 Limit Switch	工作电压 Working voltage	V	0~48	

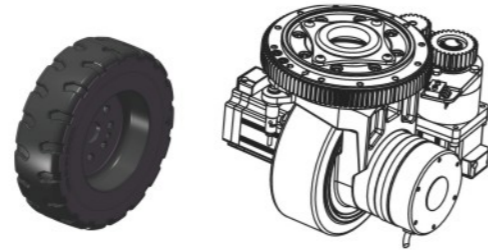
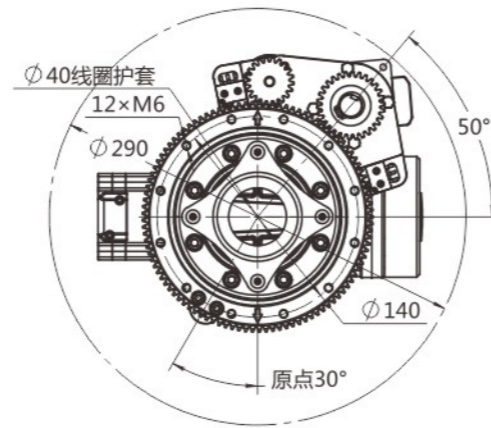
WDS 150 Series

ZL-WDS-150-400-200



行走电机参数
Parameters of walking motor

电机类型 Motor type	伺服电机 Servo motor			
电机功率 Motor power	W	400		
电机电压 Motor voltage	V(DC)	48		
电机电流 Motor current	A	11.95		
电机转速 Motor speed	rpm	3000		
电机扭矩 Motor Torque	N-m	1.27		
防护等级 Protection level	IP	54		
电机编码器 Motor encoder	增量磁编 Magnetic coding			
行走减速比 Walking reducer		20	34	68
行走速度 Walking speed	m/min	70.65	41.55	20.77
舵轮输出扭矩 Output Torque	N-m	22.9	38.9	77.7
牵引力 Traction	N	322	547	1000
参考牵引重量 Reference Traction weight	Kg	547	929	1500
聚氨酯承重 Polyurethane load-bearing	Kg	550		
橡胶承重 Rubber bearing	Kg	300		

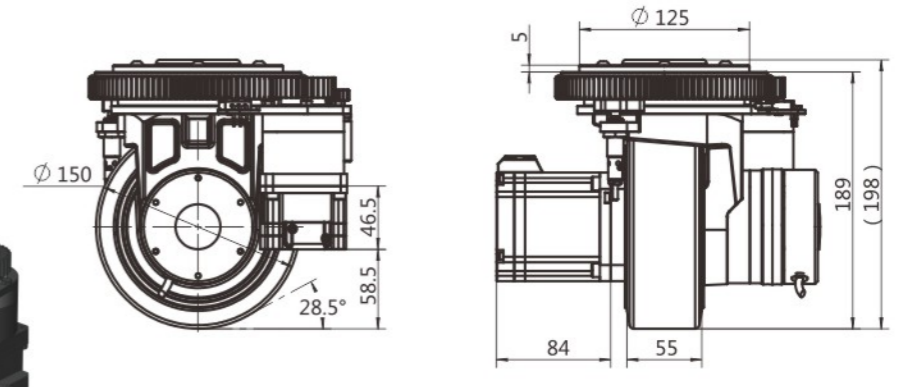


牵引减速机参数
Parameter table of traction reducer

转向电机参数 Steering Motor parameters	电机类型 Motor type	伺服电机 Servo motor	
	电机功率 Motor power	W	200
	电机电压 Motor voltage	V(DC)	48
	电机电流 Motor current	A	5.98
	电机转速 Motor speed	rpm	3000
	电机扭矩 Motor Torque	N-m	0.637
	防护等级 Protection level	IP	54
	电机编码器 Motor encoder	增量磁编 Magnetic coding	
	减速器速比 Speed ratio of reducer	i	35
	回转支承齿数 Slewing gear	105	齿数比3.5 : 1 Gear ratio3.5 : 1
	转向齿轮齿数 Number of steering gear teeth	30	
	总转向速比 Total steering ratio	i	122.5
	编码器齿轮齿数 Number of teeth of encoder gear	Z	21
	转向角度 Steering Angle	°	±140
制动器 Brake	工作电压 Working voltage	V(DC)	48
	制动扭矩 Braking torque	N-m	4
角度传感器 Angle Sensor	型号 Type	SICK	DBS36E-S3EK02000
限位开关 Limit Switch	工作电压 Working voltage	V	0 ~ 48

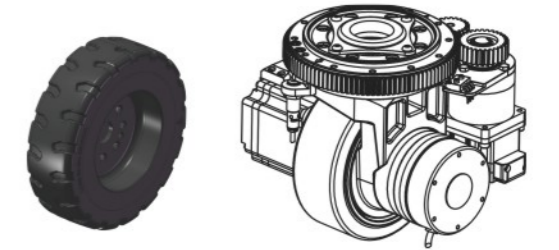
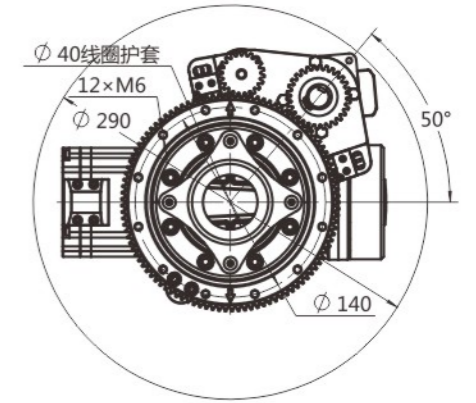
WDS 150 Series

ZL-WDS-150-750-200



行走电机参数
Parameters of walking motor

电机类型 Motor type	伺服电机 Servo motor			
电机功率 Motor power	W	750		
电机电压 Motor voltage	V(DC)	48		
电机电流 Motor current	A	22.44		
电机转速 Motor speed	rpm	3000		
电机扭矩 Motor Torque	N-m	2.387		
防护等级 Protection level	IP	54		
电机编码器 Motor encoder	增量磁编 Magnetic coding			
行走减速比 Walking reducer		20	34	68
行走速度 Walking speed	m/min	70.65	41.55	20.77
舵轮输出扭矩 Output Torque	N-m	43	73	120
牵引力 Traction	N	605	1000	1000
参考牵引重量 Reference Traction weight	Kg	1029	1500	1500
聚氨酯承重 Polyurethane load-bearing	Kg	550		
橡胶承重 Rubber bearing	Kg	300		

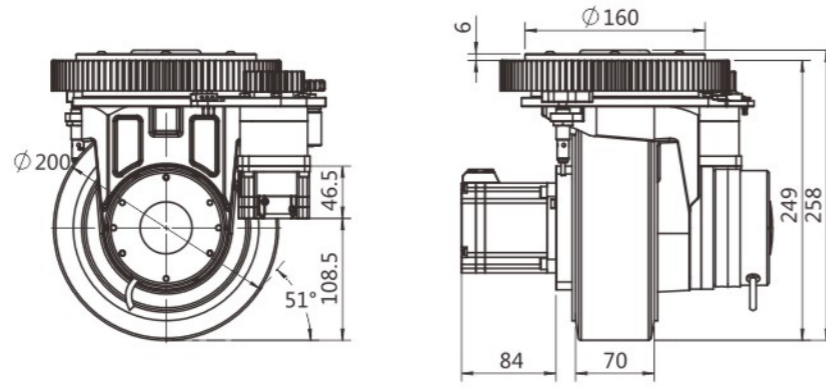


牵引减速机参数
Parameter table of traction reducer

转向电机参数 Steering Motor parameters	电机类型 Motor type	伺服电机 Servo motor	
	电机功率 Motor power	W	200
	电机电压 Motor voltage	V(DC)	48
	电机电流 Motor current	A	5.98
	电机转速 Motor speed	rpm	3000
	电机扭矩 Motor Torque	N-m	0.637
	防护等级 Protection level	IP	54
	电机编码器 Motor encoder	增量磁编 Magnetic coding	
	减速器速比 Speed ratio of reducer	i	35
	回转支承齿数 Slewing gear	105	齿数比3.5 : 1 Gear ratio3.5 : 1
	转向齿轮齿数 Number of steering gear teeth	30	
	总转向速比 Total steering ratio	i	122.5
	编码器齿轮齿数 Number of teeth of encoder gear	Z	21
	转向角度 Steering Angle	°	±140
制动器 Brake	工作电压 Working voltage	V(DC)	48
	制动扭矩 Braking torque	N-m	4
角度传感器 Angle Sensor	型号 Type	SICK	DBS36E-S3EK02000
限位开关 Limit Switch	工作电压 Working voltage	V	0 ~ 48

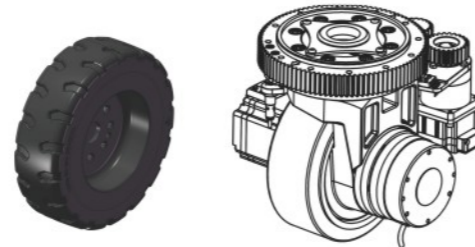
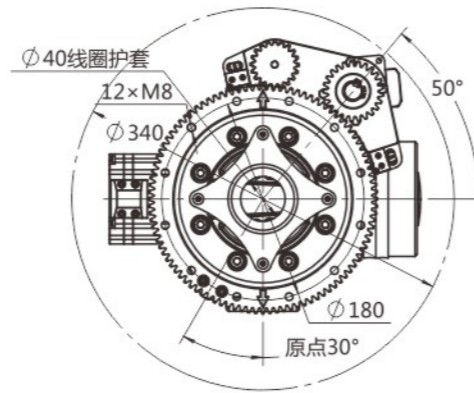
WDS 200 Series

ZL-WDS-200-750-200



行走电机参数
Parameters of walking motor

电机类型 Motor type	伺服电机 Servo motor			
电机功率 Motor power	W	750		
电机电压 Motor voltage	V(DC)	48		
电机电流 Motor current	A	22.44		
电机转速 Motor speed	rpm	3000		
电机扭矩 Motor Torque	N-m	2.387		
防护等级 Protection level	IP	54		
电机编码器 Motor encoder	增量磁编 Magnetic coding			
行走减速比 Walking reducer		21	41	85
行走速度 Walking speed	m/min	88.65	45.44	22.16
舵轮输出扭矩 Output Torque	N-m	45	89	182
牵引力 Traction	N	477	848	1218.9
参考牵引重量 Reference Traction weight	Kg	714	1212	1828.3
聚氨酯承重 Polyurethane load-bearing	Kg	900		
橡胶承重 Rubber bearing	Kg	500		

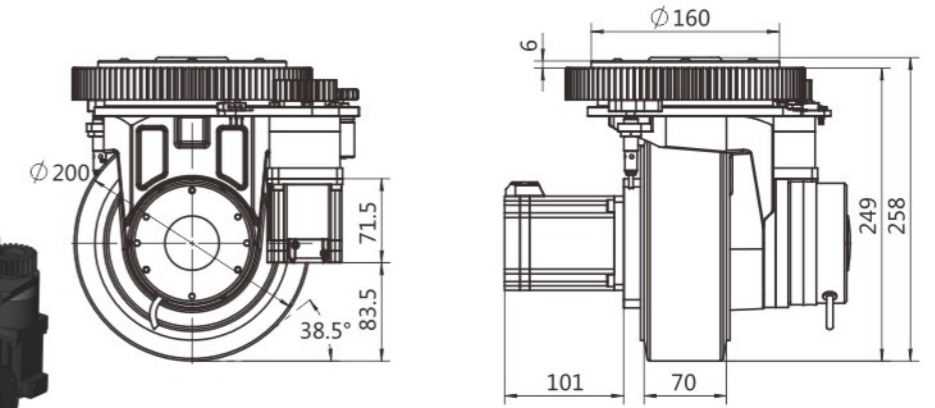


牵引减速机参数
Parameter table of traction reducer

转向电机参数 Steering Motor parameters	电机类型 Motor type	伺服电机 Servo motor	
	电机功率 Motor power	W	200
	电机电压 Motor voltage	V(DC)	48
	电机电流 Motor current	A	5.98
	电机转速 Motor speed	rpm	3000
	电机扭矩 Motor Torque	N-m	0.637
	防护等级 Protection level	IP	54
	电机编码器 Motor encoder	增量磁编 Magnetic coding	
	减速器速比 Speed ratio of reducer	i	35
	回转支承齿数 Slewing gear	100	齿数比4:1 Gear ratio 4:1
	转向齿轮齿数 Number of steering gear teeth	25	
总转向速比 Total steering ratio	i	140	
编码器齿轮齿数 Number of teeth of encoder gear	Z	20	
转向角度 Steering Angle	°	±140	
制动器 Brake	工作电压 Working voltage	V(DC)	48
	制动扭矩 Braking torque	N-m	8
角度传感器 Angle Sensor	型号 Type	SICK	DBS36E-S3EK02000
限位开关 Limit Switch	工作电压 Working voltage	V	0~48

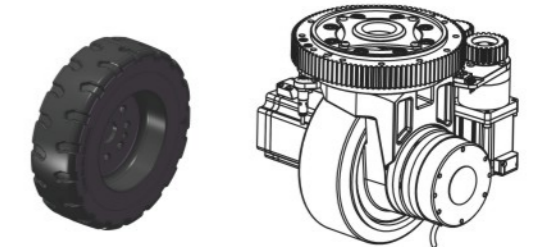
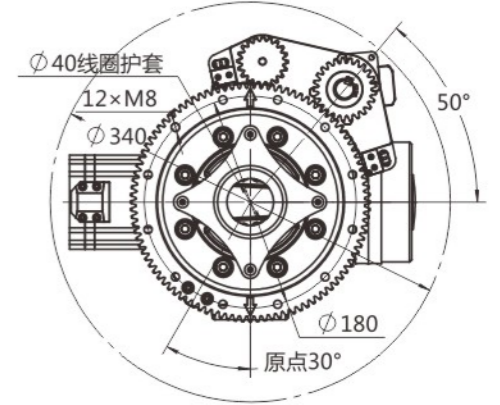
WDS 200 Series

ZL-WDS-200-1000-400



行走电机参数
Parameters of walking motor

电机类型 Motor type	伺服电机 Servo motor			
电机功率 Motor power	W	1000		
电机电压 Motor voltage	V(DC)	48		
电机电流 Motor current	A	29.92		
电机转速 Motor speed	rpm	3000		
电机扭矩 Motor Torque	N-m	3.183		
防护等级 Protection level	IP	54		
电机编码器 Motor encoder	增量磁编 Magnetic coding			
行走减速比 Walking reducer		21	41	85
行走速度 Walking speed	m/min	88.65	45.44	22.16
舵轮输出扭矩 Output Torque	N-m	64	125	250
牵引力 Traction	N	640	1250	1333
参考牵引重量 Reference Traction weight	Kg	1140	1780	2000
聚氨酯承重 Polyurethane load-bearing	Kg	900		
橡胶承重 Rubber bearing	Kg	500		



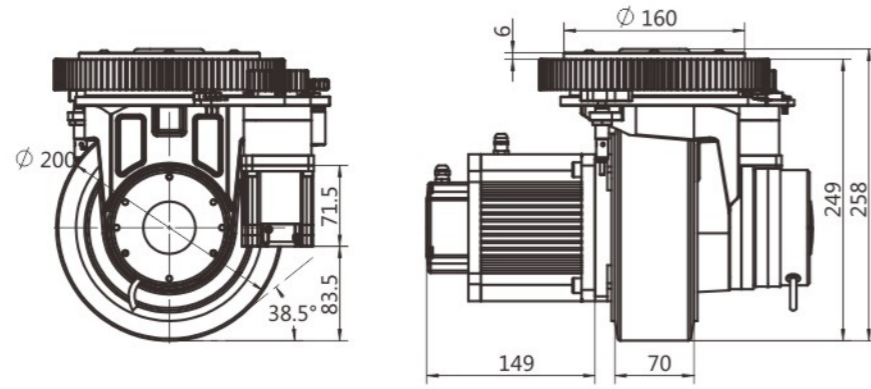
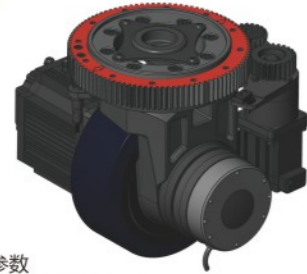
牵引减速机参数
Parameter table of traction reducer

转向电机参数 Steering Motor parameters	电机类型 Motor type	伺服电机 Servo motor	
	电机功率 Motor power	W	400
	电机电压 Motor voltage	V(DC)	48
	电机电流 Motor current	A	11.95
	电机转速 Motor speed	rpm	3000
	电机扭矩 Motor Torque	N-m	1.27
	防护等级 Protection level	IP	54
	电机编码器 Motor encoder	增量磁编 Magnetic coding	
	减速器速比 Speed ratio of reducer	i	35
	回转支承齿数 Slewing gear	100	齿数比4:1 Gear ratio 4:1
	转向齿轮齿数 Number of steering gear teeth	25	
总转向速比 Total steering ratio	i	140	
编码器齿轮齿数 Number of teeth of encoder gear	Z	20	
转向角度 Steering Angle	°	±140	
制动器 Brake	工作电压 Working voltage	V(DC)	48
	制动扭矩 Braking torque	N-m	8
角度传感器 Angle Sensor	型号 Type	SICK	DBS36E-S3EK02000
限位开关 Limit Switch	工作电压 Working voltage	V	0~48

WDS Series

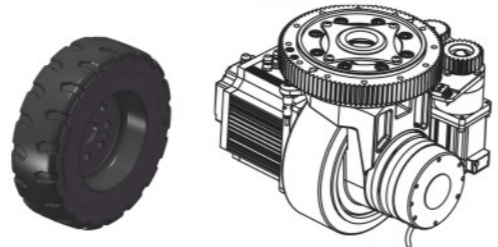
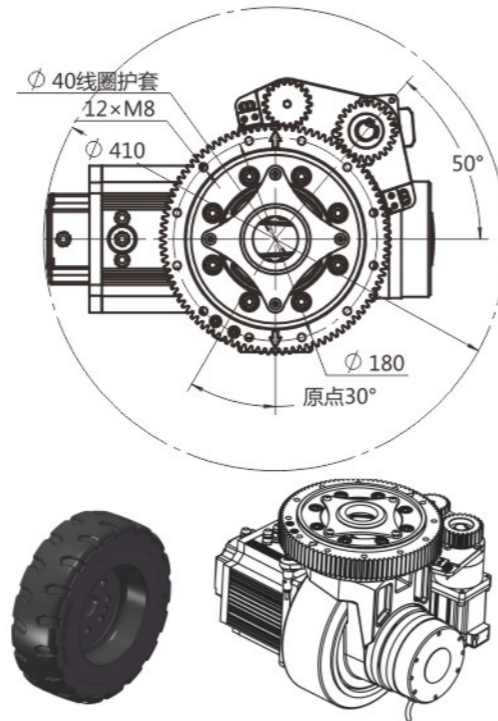
WDS 200 Series

ZL-WDS-200-1500-400



行走电机参数
Parameters of walking motor

电机类型 Motor type	伺服电机 Servo motor			
电机功率 Motor power	W	1500		
电机电压 Motor voltage	V(DC)	48		
电机电流 Motor current	A	39		
电机转速 Motor speed	rpm	3000		
电机扭矩 Motor Torque	N-m	4.77		
防护等级 Protection level	IP	54		
电机编码器 Motor encoder	增量光编 Incremental Optical Weaving			
行走减速机 Walking reducer		21	41	85
行走速度 Walking speed	m/min	88.65	45.44	22.16
舵轮输出扭矩 Output Torque	N-m	90	176	310
牵引力 Traction	N	880	1333	1333
参考牵引重量 Reference Traction weight	Kg	1500	2000	2000
聚氨酯承重 Polyurethane load-bearing	Kg	900		
橡胶承重 Rubber bearing	Kg	500		

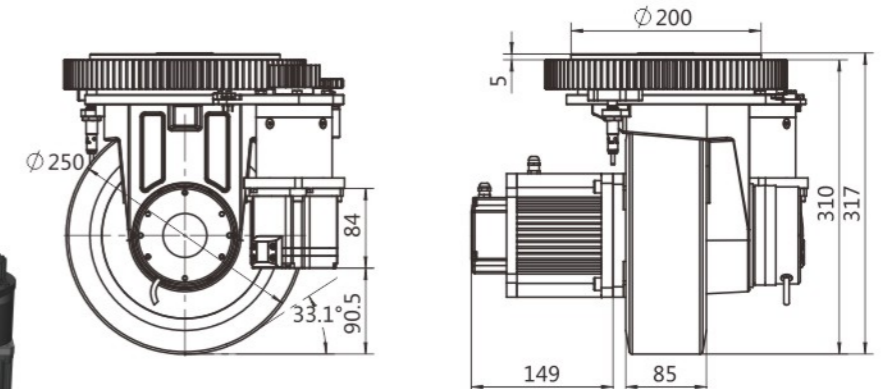


牵引减速机参数
Parameter table of traction reducer

转向电机参数 Steering Motor parameters	电机类型 Motor type	伺服电机 Servo motor		
	电机功率 Motor power	W	400	
	电机电压 Motor voltage	V(DC)	48	
	电机电流 Motor current	A	11.95	
	电机转速 Motor speed	rpm	3000	
	电机扭矩 Motor Torque	N-m	1.27	
	防护等级 Protection level	IP	54	
	电机编码器 Motor encoder	增量磁编 Magnetic coding		
	减速机速比 Speed ratio of reducer	i	35	
	回转支承齿数 Slewing gear	100	齿数比4:1 Gear ratio 4:1	
	转向齿轮齿数 Number of steering gear teeth	25		
	总转向速比 Total steering ratio	i	140	
	编码器齿轮齿数 Number of teeth of encoder gear	Z	20	
	转向角度 Steering Angle	°	±140	
制动器 Brake	工作电压 Working voltage	V(DC)	48	
	制动扭矩 Braking torque	N-m	8	
角度传感器 Angle Sensor	型号 Type	SICK	DBS36E-S3EK02000	
限位开关 Limit Switch	工作电压 Working voltage	V	0~48	

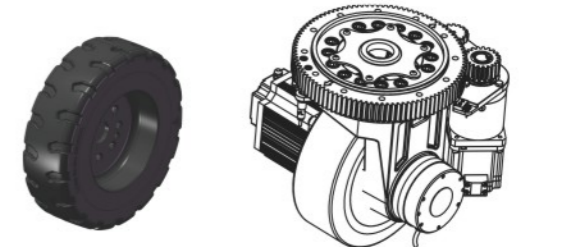
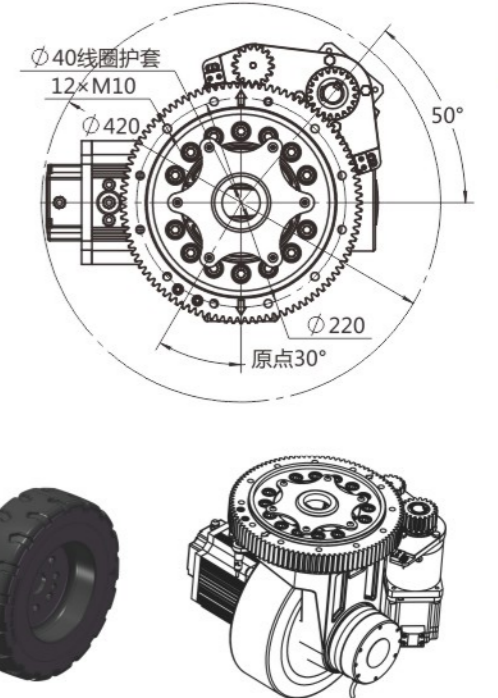
WDS 250 Series

ZL-WDS-250-1500-750



行走电机参数
Parameters of walking motor

电机类型 Motor type	伺服电机 Servo motor			
电机功率 Motor power	W	1500		
电机电压 Motor voltage	V(DC)	48		
电机电流 Motor current	A	39		
电机转速 Motor speed	rpm	3000		
电机扭矩 Motor Torque	N-m	4.77		
防护等级 Protection level	IP	54		
电机编码器 Motor encoder	增量光编 Incremental Optical Weaving			
行走减速机 Walking reducer		21	41	85
行走速度 Walking speed	m/min	110.82	56.8	27.7
舵轮输出扭矩 Output Torque	N-m	94.5	184	310
牵引力 Traction	N	756	1472	1667
参考牵引重量 Reference Traction weight	Kg	1134	2000	2500
聚氨酯承重 Polyurethane load-bearing	Kg	1200		
橡胶承重 Rubber bearing	Kg	800		

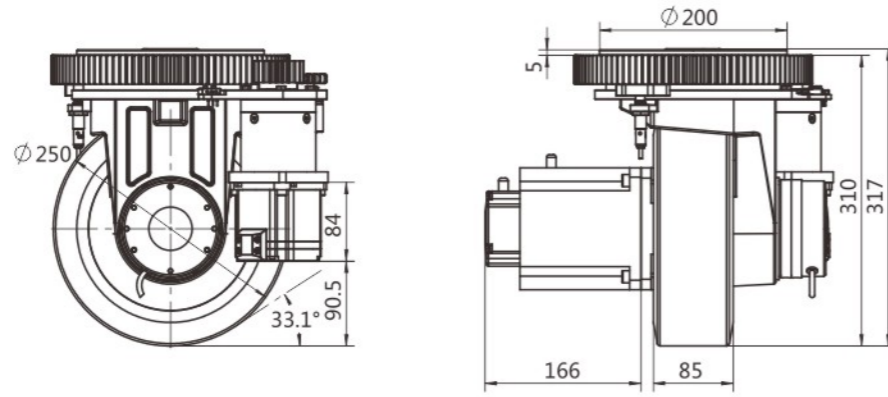


牵引减速机参数
Parameter table of traction reducer

转向电机参数 Steering Motor parameters	电机类型 Motor type	伺服电机 Servo motor		
	电机功率 Motor power	W	750	
	电机电压 Motor voltage	V(DC)	48	
	电机电流 Motor current	A	22.44	
	电机转速 Motor speed	rpm	3000	
	电机扭矩 Motor Torque	N-m	2.387	
	防护等级 Protection level	IP	54	
	电机编码器 Motor encoder	增量磁编 Magnetic coding		
	减速机速比 Speed ratio of reducer	i	35	
	回转支承齿数 Slewing gear	100	齿数比5:1 Gear ratio 5:1	
	转向齿轮齿数 Number of steering gear teeth	20		
	总转向速比 Total steering ratio	i	175	
	编码器齿轮齿数 Number of teeth of encoder gear	Z	16	
	转向角度 Steering Angle	°	±140	
制动器 Brake	工作电压 Working voltage	V(DC)	48	
	制动扭矩 Braking torque	N-m	8	
角度传感器 Angle Sensor	型号 Type	SICK	DBS36E-S3EK02000	
限位开关 Limit Switch	工作电压 Working voltage	V	0~48	

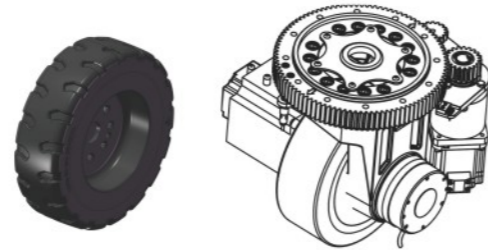
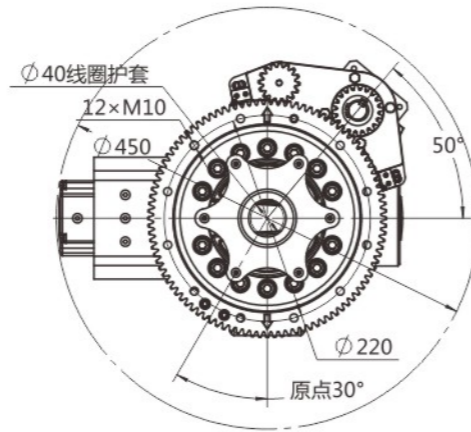
WDS 250 Series

ZL-WDS-250-2300-750



行走电机参数
Parameters of walking motor

电机类型 Motor type	伺服电机 Servo motor			
电机功率 Motor power	W	2300		
电机电压 Motor voltage	V(DC)	48		
电机电流 Motor current	A	65		
电机转速 Motor speed	rpm	3000		
电机扭矩 Motor Torque	N-m	7.3		
防护等级 Protection level	IP	54		
电机编码器 Motor encoder	增量光编 Incremental Optical Weaving			
行走减速比 Walking reducer		21	41	85
行走速度 Walking speed	m/min	110.82	56.8	27.7
舵轮输出扭矩 Output Torque	N-m	138	270	310
牵引力 Traction	N	1165	1667	1667
参考牵引重量 Reference Traction weight	Kg	1748	2500	2500
聚氨酯承重 Polyurethane load-bearing	Kg	1200		
橡胶承重 Rubber bearing	Kg	800		

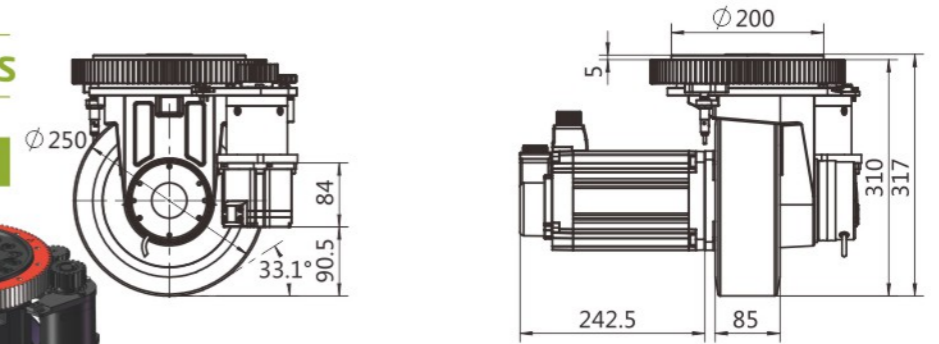


牵引减速机参数
Parameter table of traction reducer

转向电机参数 Steering Motor parameters	电机类型 Motor type	伺服电机 Servo motor	
	电机功率 Motor power	W	750
	电机电压 Motor voltage	V(DC)	48
	电机电流 Motor current	A	22.44
	电机转速 Motor speed	rpm	3000
	电机扭矩 Motor Torque	N-m	2.387
	防护等级 Protection level	IP	54
	电机编码器 Motor encoder	增量磁编 Magnetic coding	
	减速器速比 Speed ratio of reducer	i	35
	回转支承齿数 Slewing gear	100	齿数比 5 : 1 Gear ratio 5 : 1
	转向齿轮齿数 Number of steering gear teeth	20	
总转向速比 Total steering ratio	i	175	
编码器齿轮齿数 Number of teeth of encoder gear	Z	16	
转向角度 Steering Angle	°	±140	
制动器 Brake	工作电压 Working voltage	V(DC)	48
	制动扭矩 Braking torque	N-m	8
角度传感器 Angle Sensor	型号 Type	SICK	DBS36E-S3EK02000
限位开关 Limit Switch	工作电压 Working voltage	V	0 ~ 48

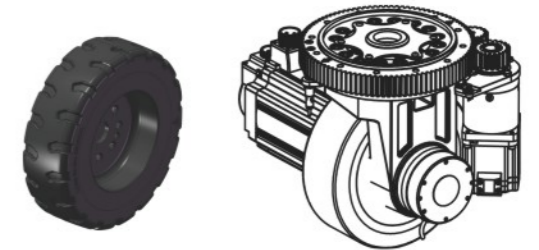
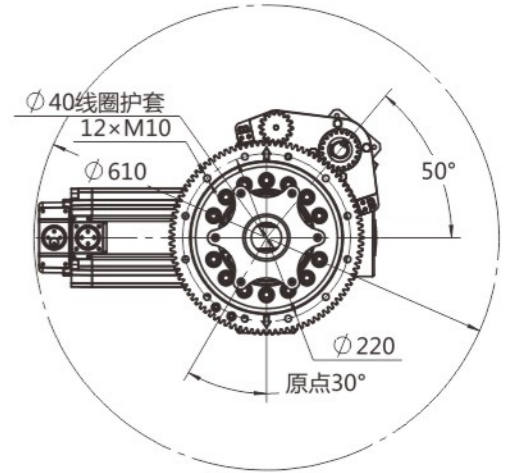
WDS 250 Series

ZL-WDS-250-3000-750



行走电机参数
Parameters of walking motor

电机类型 Motor type	伺服电机 Servo motor			
电机功率 Motor power	W	3000		
电机电压 Motor voltage	V(DC)	48		
电机电流 Motor current	A	90		
电机转速 Motor speed	rpm	1500		
电机扭矩 Motor Torque	N-m	19		
防护等级 Protection level	IP	54		
电机编码器 Motor encoder	增量光编 Incremental Optical Weaving			
行走减速比 Walking reducer		21	41	85
行走速度 Walking speed	m/min	55.41	28.4	13.85
舵轮输出扭矩 Output Torque	N-m	310	310	310
牵引力 Traction	N	1400	1667	1667
参考牵引重量 Reference Traction weight	Kg	2200	2500	2500
聚氨酯承重 Polyurethane load-bearing	Kg	1200		
橡胶承重 Rubber bearing	Kg	800		

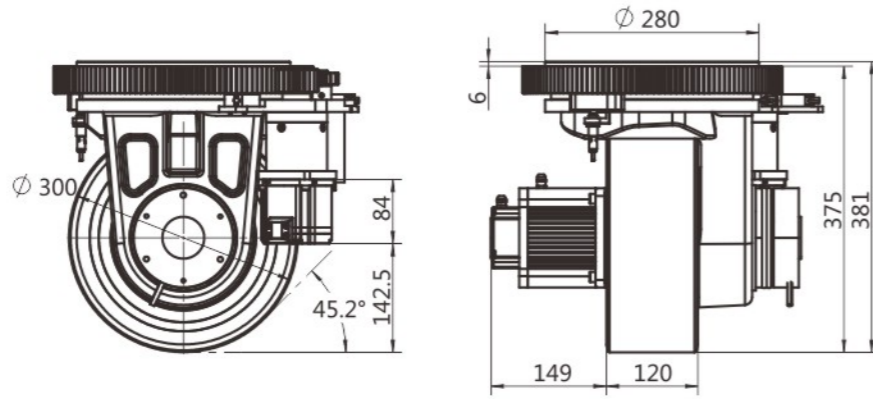


牵引减速机参数
Parameter table of traction reducer

转向电机参数 Steering Motor parameters	电机类型 Motor type	伺服电机 Servo motor	
	电机功率 Motor power	W	750
	电机电压 Motor voltage	V(DC)	48
	电机电流 Motor current	A	22.44
	电机转速 Motor speed	rpm	3000
	电机扭矩 Motor Torque	N-m	2.387
	防护等级 Protection level	IP	54
	电机编码器 Motor encoder	增量磁编 Magnetic coding	
	减速器速比 Speed ratio of reducer	i	35
	回转支承齿数 Slewing gear	100	齿数比 5 : 1 Gear ratio 5 : 1
	转向齿轮齿数 Number of steering gear teeth	20	
总转向速比 Total steering ratio	i	175	
编码器齿轮齿数 Number of teeth of encoder gear	Z	16	
转向角度 Steering Angle	°	±140	
制动器 Brake	工作电压 Working voltage	V(DC)	48
	制动扭矩 Braking torque	N-m	8
角度传感器 Angle Sensor	型号 Type	SICK	DBS36E-S3EK02000
限位开关 Limit Switch	工作电压 Working voltage	V	0 ~ 48

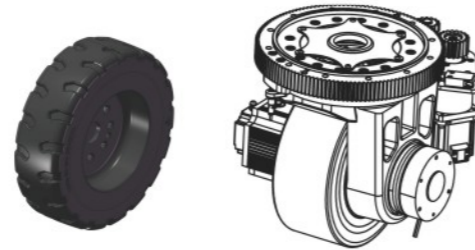
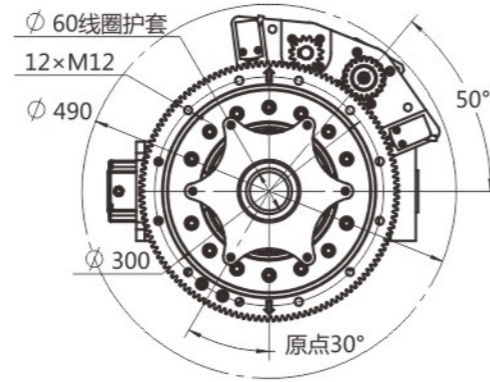
WDS 300 Series

ZL-WDS-300-1500-750



行走电机参数
Parameters of walking motor

电机类型 Motor type	伺服电机 Servo motor			
电机功率 Motor power	W	1500		
电机电压 Motor voltage	V(DC)	48		
电机电流 Motor current	A	39		
电机转速 Motor speed	rpm	3000		
电机扭矩 Motor Torque	N-m	4.77		
防护等级 Protection level	IP	54		
电机编码器 Motor encoder	增量光编 Incremental Optical Weaving			
行走减速比 Walking reducer		48	64	80
行走速度 Walking speed	m/min	58.8	44.1	35.3
舵轮输出扭矩 Output Torque	N-m	206	274	343
牵引力 Traction	N	1373	1826	2286
参考牵引重量 Reference Traction weight	Kg	2000	2500	3000
聚氨酯承重 Polyurethane load-bearing	Kg	2200		
橡胶承重 Rubber bearing	Kg	1200		

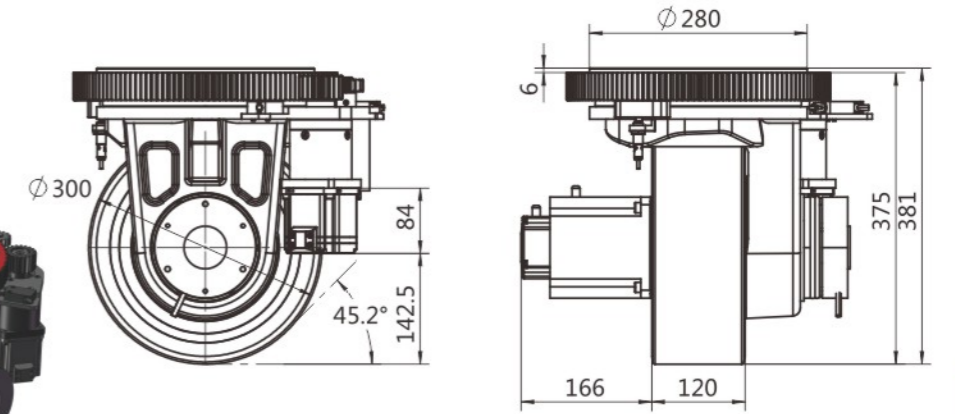


牵引减速机参数
Parameter table of traction reducer

转向电机参数 Steering Motor parameters	电机类型 Motor type	伺服电机 Servo motor	
	电机功率 Motor power	W	750
	电机电压 Motor voltage	V(DC)	48
	电机电流 Motor current	A	22.44
	电机转速 Motor speed	rpm	3000
	电机扭矩 Motor Torque	N-m	2.387
	防护等级 Protection level	IP	54
	电机编码器 Motor encoder	增量磁编 Magnetic coding	
	减速器速比 Speed ratio of reducer	i	35
	回转支承齿数 Slewing gear	135	齿数比6.75 : 1 Gear ratio 6.75 : 1
	转向齿轮齿数 Number of steering gear teeth	20	
总转向速比 Total steering ratio	i	236.25	
编码器齿轮齿数 Number of teeth of encoder gear	Z	15	
转向角度 Steering Angle	°	±140	
制动器 Brake	工作电压 Working voltage	V(DC)	48
	制动扭矩 Braking torque	N-m	16
角度传感器 Angle Sensor	型号 Type	SICK	DBS36E-S3EK02000
限位开关 Limit Switch	工作电压 Working voltage	V	0~48

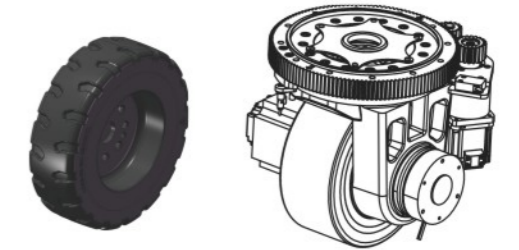
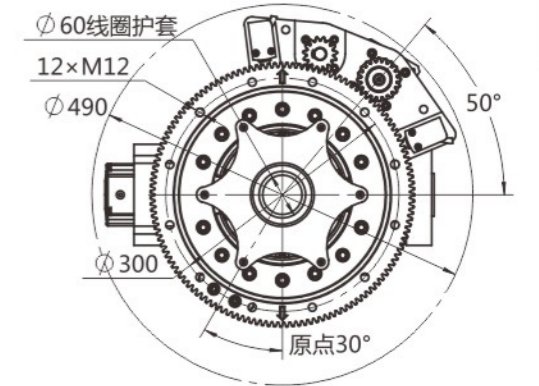
WDS 300 Series

ZL-WDS-300-2300-750



行走电机参数
Parameters of walking motor

电机类型 Motor type	伺服电机 Servo motor			
电机功率 Motor power	W	2300		
电机电压 Motor voltage	V(DC)	48		
电机电流 Motor current	A	65		
电机转速 Motor speed	rpm	3000		
电机扭矩 Motor Torque	N-m	7.3		
防护等级 Protection level	IP	54		
电机编码器 Motor encoder	增量光编 Incremental Optical Weaving			
行走减速比 Walking reducer		48	64	80
行走速度 Walking speed	m/min	58.8	44.1	35.3
舵轮输出扭矩 Output Torque	N-m	315	420	525
牵引力 Traction	N	2100	2286	2286
参考牵引重量 Reference Traction weight	Kg	3000	3000	3000
聚氨酯承重 Polyurethane load-bearing	Kg	2200		
橡胶承重 Rubber bearing	Kg	1200		

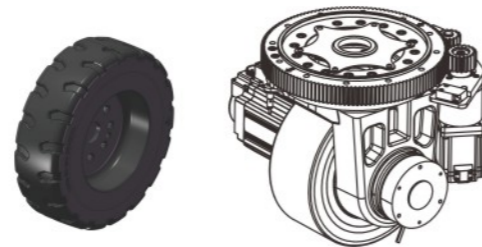
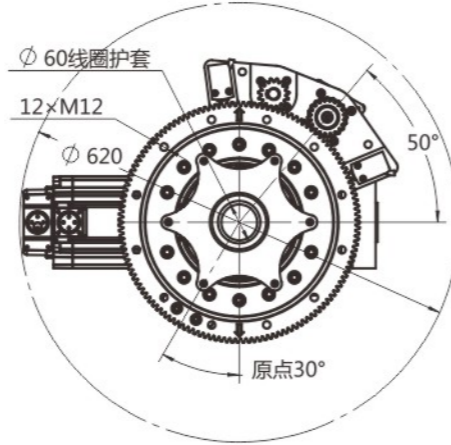
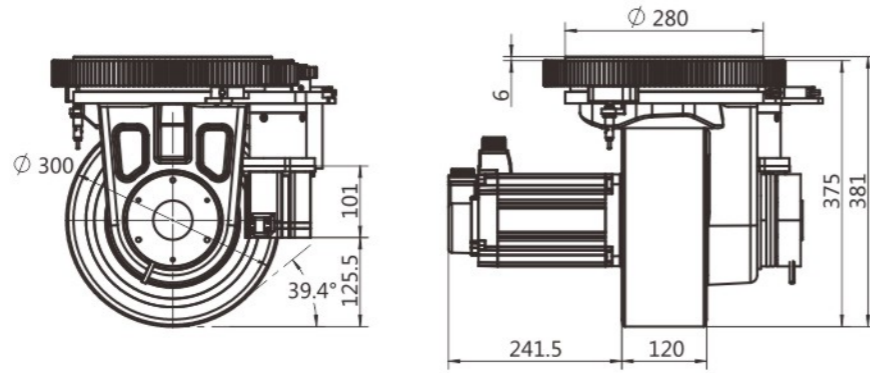


牵引减速机参数
Parameter table of traction reducer

转向电机参数 Steering Motor parameters	电机类型 Motor type	伺服电机 Servo motor	
	电机功率 Motor power	W	750
	电机电压 Motor voltage	V(DC)	48
	电机电流 Motor current	A	22.44
	电机转速 Motor speed	rpm	3000
	电机扭矩 Motor Torque	N-m	2.387
	防护等级 Protection level	IP	54
	电机编码器 Motor encoder	增量磁编 Magnetic coding	
	减速器速比 Speed ratio of reducer	i	35
	回转支承齿数 Slewing gear	135	齿数比6.75 : 1 Gear ratio 6.75 : 1
	转向齿轮齿数 Number of steering gear teeth	20	
总转向速比 Total steering ratio	i	236.25	
编码器齿轮齿数 Number of teeth of encoder gear	Z	15	
转向角度 Steering Angle	°	±140	
制动器 Brake	工作电压 Working voltage	V(DC)	48
	制动扭矩 Braking torque	N-m	16
角度传感器 Angle Sensor	型号 Type	SICK	DBS36E-S3EK02000
限位开关 Limit Switch	工作电压 Working voltage	V	0~48

WDS 300 Series

ZL-WDS-300-3000-1000



行走电机参数
Parameters of walking motor

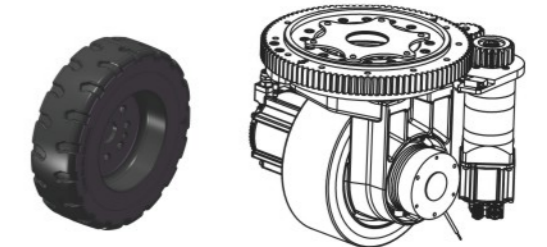
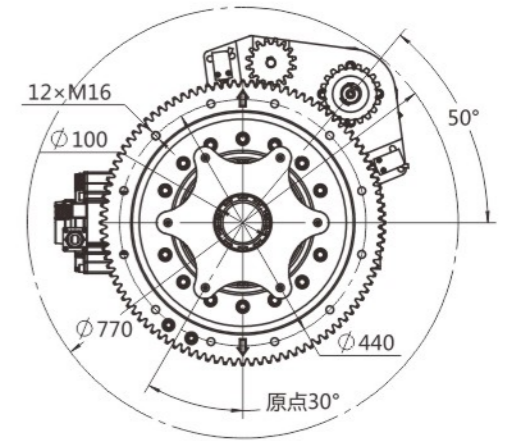
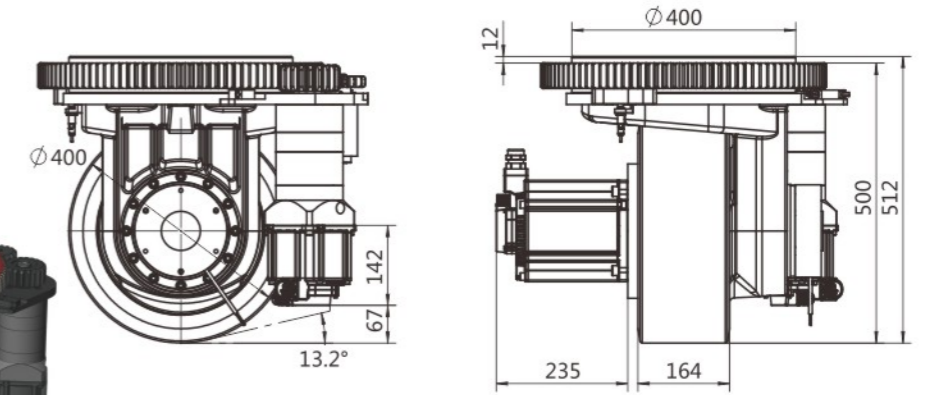
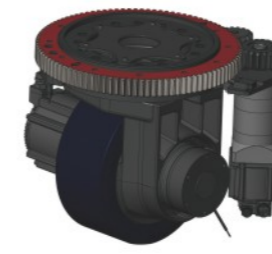
电机类型 Motor type	伺服电机 Servo motor			
电机功率 Motor power	W	3000		
电机电压 Motor voltage	V(DC)	48		
电机电流 Motor current	A	90		
电机转速 Motor speed	rpm	1500		
电机扭矩 Motor Torque	N-m	19		
防护等级 Protection level	IP	54		
电机编码器 Motor encoder	增量光编 Incremental Optical Weaving			
行走减速比 Walking reducer		48	64	80
行走速度 Walking speed	m/min	29.4	22	17.66
舵轮输出扭矩 Output Torque	N-m	820	1090	1350
牵引力 Traction	N	2730	2730	2730
参考牵引重量 Reference Traction weight	Kg	3900	3900	3900
聚氨酯承重 Polyurethane load-bearing	Kg	2200		
橡胶承重 Rubber bearing	Kg	1200		

牵引减速机参数
Parameter table of traction reducer

转向电机参数 Steering Motor parameters	电机类型 Motor type	伺服电机 Servo motor		
	电机功率 Motor power	W	1000	
	电机电压 Motor voltage	V(DC)	48	
	电机电流 Motor current	A	29.92	
	电机转速 Motor speed	rpm	3000	
	电机扭矩 Motor Torque	N-m	3.183	
	防护等级 Protection level	IP	54	
	电机编码器 Motor encoder	增量磁编 Magnetic coding		
	减速器速比 Speed ratio of reducer	i	35	
	回转支承齿数 Slewing gear	135	齿数比6.75 : 1 Gear ratio 6.75 : 1	
	转向齿轮齿数 Number of steering gear teeth	20		
	总转向速比 Total steering ratio	i	236.25	
	编码器齿轮齿数 Number of teeth of encoder gear	Z	15	
转向角度 Steering Angle	°	±140		
制动器 Brake	工作电压 Working voltage	V(DC)	48	
	制动扭矩 Braking torque	N-m	16	
角度传感器 Angle Sensor	型号 Type	SICK	DBS36E-S3EK02000	
限位开关 Limit Switch	工作电压 Working voltage	V	0~48	

WDS 400 Series

ZL-WDS-400-5500-2350



行走电机参数
Parameters of walking motor

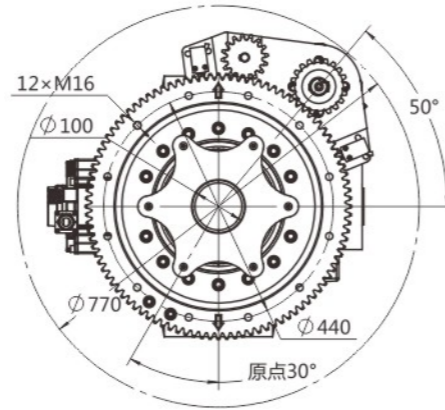
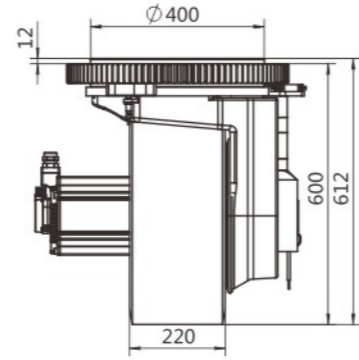
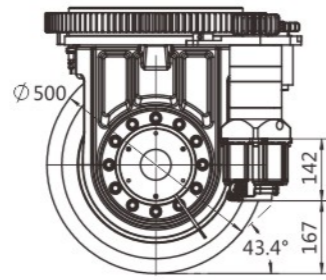
电机类型 Motor type	伺服电机 Servo motor			
电机功率 Motor power	W	5500		
电机电压 Motor voltage	V(DC)	72		
电机电流 Motor current	A	97		
电机转速 Motor speed	rpm	1500		
电机扭矩 Motor Torque	N-m	35		
防护等级 Protection level	IP	65		
电机编码器 Motor encoder	增量磁编 Magnetic coding			
行走减速比 Walking reducer		36	48	60
行走速度 Walking speed	m/min	52.3	39.2	31.4
舵轮输出扭矩 Output Torque	N-m	1150	1580	1974
牵引力 Traction	N	3549	3549	3549
参考牵引重量 Reference Traction weight	Kg	5253.5	5253.5	5253.5
聚氨酯承重 Polyurethane load-bearing	Kg	3600		
橡胶承重 Rubber bearing	Kg	2000		

牵引减速机参数
Parameter table of traction reducer

转向电机参数 Steering Motor parameters	电机类型 Motor type	伺服电机 Servo motor		
	电机功率 Motor power	W	2350	
	电机电压 Motor voltage	V(DC)	72	
	电机电流 Motor current	A	40	
	电机转速 Motor speed	rpm	3000	
	电机扭矩 Motor Torque	N-m	7.5	
	防护等级 Protection level	IP	65	
	电机编码器 Motor encoder	增量光编 Incremental Optical Weaving		
	减速器速比 Speed ratio of reducer	i	125	
	回转支承齿数 Slewing gear	100	齿数比5 : 1 Gear ratio 5 : 1	
	转向齿轮齿数 Number of steering gear teeth	20		
	总转向速比 Total steering ratio	i	625	
	编码器齿轮齿数 Number of teeth of encoder gear	Z	16	
转向角度 Steering Angle	°	±140		
制动器 Brake	工作电压 Working voltage	V(DC)	48	
	制动扭矩 Braking torque	N-m	60	
角度传感器 Angle Sensor	型号 Type	SICK	DBS36E-S3EK02000	
限位开关 Limit Switch	工作电压 Working voltage	V	0~48	

WDS 500 Series

ZL-WDS-500-7500-2350



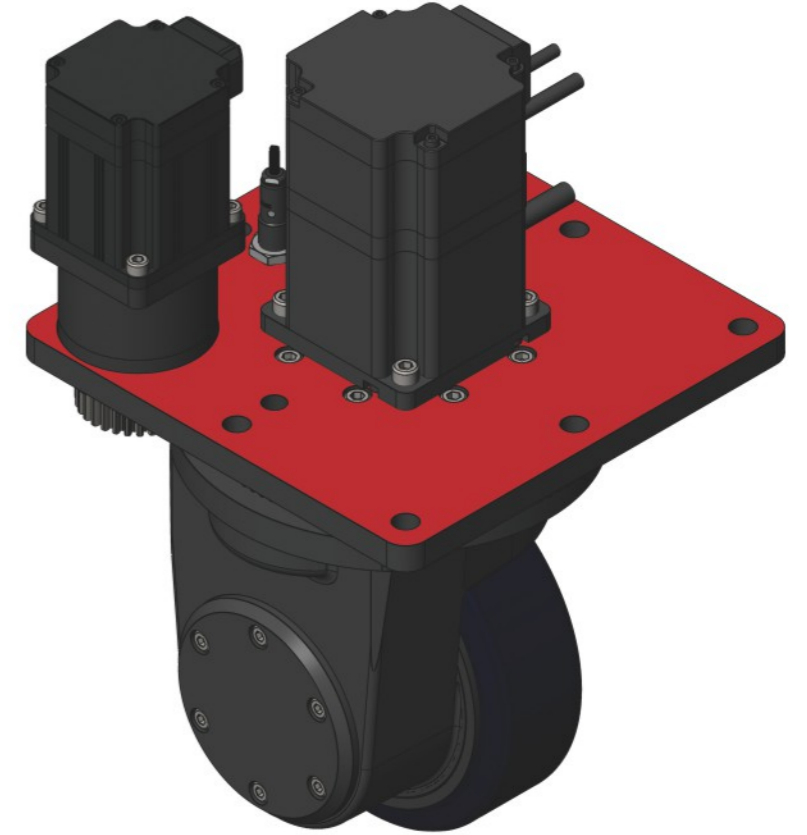
行走电机参数
Parameters of walking motor

电机类型 Motor type	伺服电机 Servo motor			
电机功率 Motor power	W	7500		
电机电压 Motor voltage	V(DC)	72		
电机电流 Motor current	A	131		
电机转速 Motor speed	rpm	2000		
电机扭矩 Motor Torque	N-m	36		
防护等级 Protection level	IP	65		
电机编码器 Motor encoder	增量光编 Incremental Optical Weaving			
行走减速机 Walking reducer		36	48	60
行走速度 Walking speed	m/min	87.2	65.4	52.3
舵轮输出扭矩 Output Torque	N-m	1200	1555	1944
牵引力 Traction	N	4613.7	4613.7	4613.7
参考牵引重量 Reference Traction weight	Kg	6920.5	6920.5	6920.5
聚氨酯承重 Polyurethane load-bearing	Kg	5700		
橡胶承重 Rubber bearing	Kg	3100		

牵引减速机参数
Parameter table of traction reducer

电机类型 Motor type	伺服电机 Servo motor			
电机功率 Motor power	W	2350		
电机电压 Motor voltage	V(DC)	72		
电机电流 Motor current	A	40		
电机转速 Motor speed	rpm	3000		
电机扭矩 Motor Torque	N-m	7.5		
防护等级 Protection level	IP	65		
电机编码器 Motor encoder	增量光编 Incremental Optical Weaving			
减速机速比 Speed ratio of reducer	i	125		
回转支承齿数 Slewing gear	100	齿数比5:1 Gear ratio 5:1		
转向齿轮齿数 Number of steering gear teeth	20			
总转向速比 Total steering ratio	i	625		
编码器齿轮齿数 Number of teeth of encoder gear	Z	16		
转向角度 Steering Angle	°	±140		
制动器 Brake	工作电压 Working voltage	V(DC)	48	
	制动扭矩 Braking torque	N-m	60	
角度传感器 Angle Sensor	型号 Type	SICK	DBS36E-S3EK02000	
限位开关 Limit Switch	工作电压 Working voltage	V	0~48	

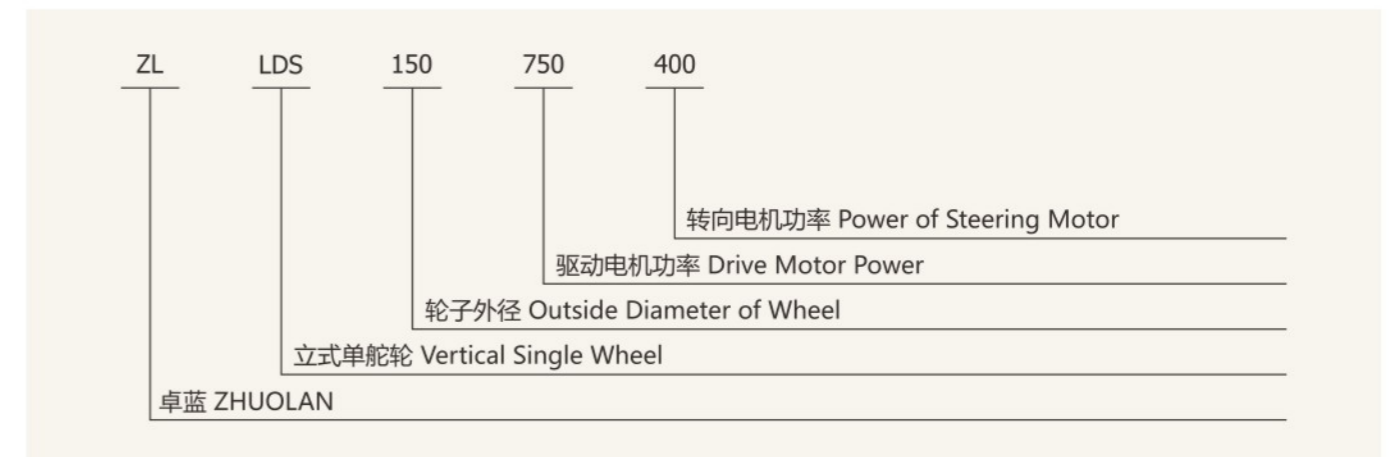
— LDS150
— LDS230



LDS Series

LDS系列型号说明

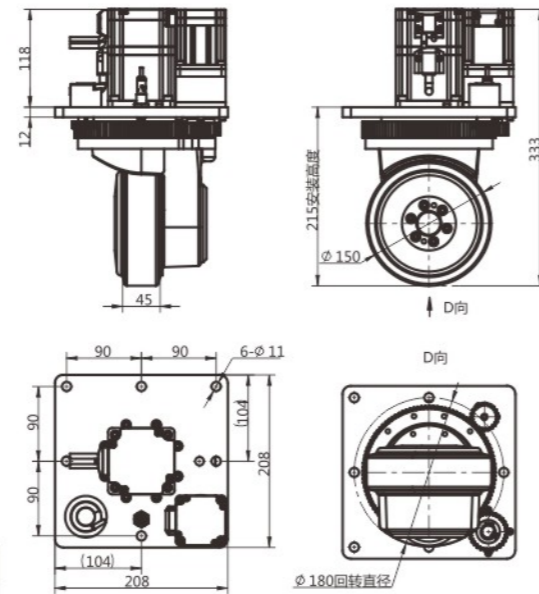
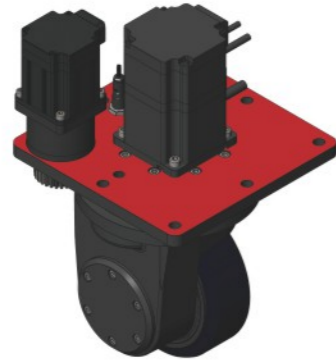
LDS series model description



LDS Series

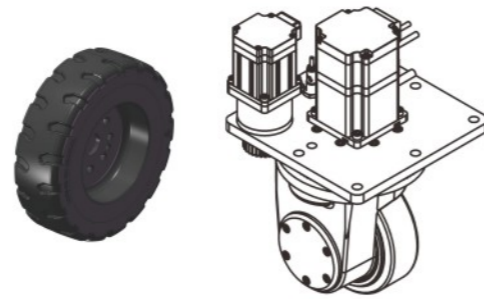
LDS150 Series

ZL-LDS-150-750-400



行走电机参数
Parameters of walking motor

电机类型 Motor type		伺服电机 Servo motor		
电机功率 Motor power	W	750		
电机电压 Motor voltage	V(DC)	48		
电机电流 Motor current	A	22.44		
电机转速 Motor speed	rpm	3000		
电机扭矩 Motor Torque	N·m	2.387		
防护等级 Protection level	IP	54		
电机编码器 Motor encoder		增量磁编 Magnetic coding		
行走减速比 Walking reducer		16	20	28
行走速度 Walking speed	m/min	88.3	70.7	50.5
舵轮输出扭矩 Output Torque	N·m	34	43	60
牵引力 Traction	N	453	573	573
参考牵引重量 Reference Traction weight	Kg	800	900	900
聚氨酯承重 Polyurethane load-bearing	Kg	550		

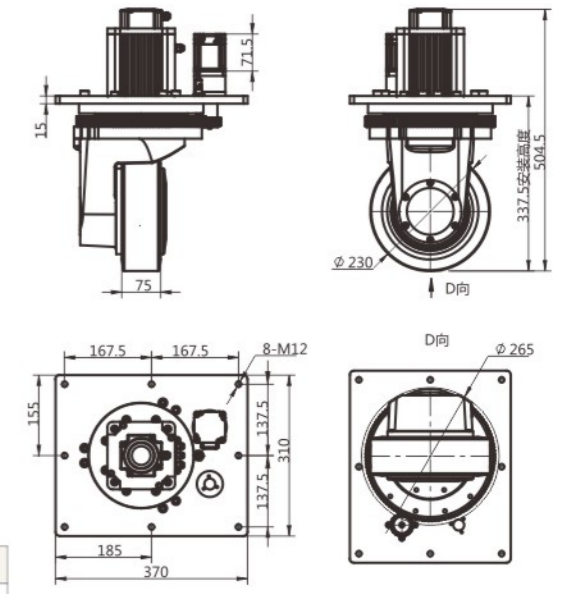
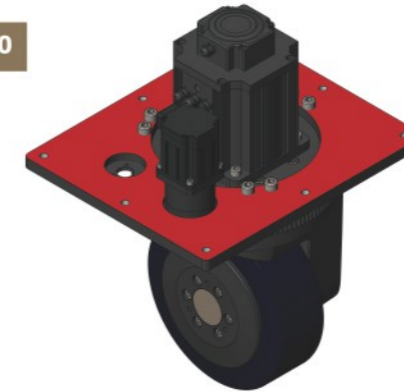


转向电机参数
Steering Motor parameters

转向电机参数 Steering Motor parameters	电机类型 Motor type		伺服电机 Servo motor	
	电机功率 Motor power	W	400	
	电机电压 Motor voltage	V(DC)	48	
	电机电流 Motor current	A	11.95	
	电机转速 Motor speed	rpm	3000	
	电机扭矩 Motor Torque	N·m	1.27	
	防护等级 Protection level	IP	54	
	电机编码器 Motor encoder		增量磁编 Magnetic coding	
	减速器速比 Speed ratio of reducer	i	35	
	回转支承齿数 Slewing gear	105	齿数比3.5 : 1 Gear ratio 3.5 : 1	
	转向齿轮齿数 Number of steering gear teeth	30		
	总转向速比 Total steering ratio	i	122.5	
	编码器齿轮齿数 Number of teeth of encoder gear	Z	21	
转向角度 Steering Angle	°	360		
制动器 Brake	工作电压 Working voltage	V(DC)	24	
	制动扭矩 Braking torque	N·m	3.2	
角度传感器 Angle Sensor	型号 Type	SICK	DBS36E-S3EK02000	

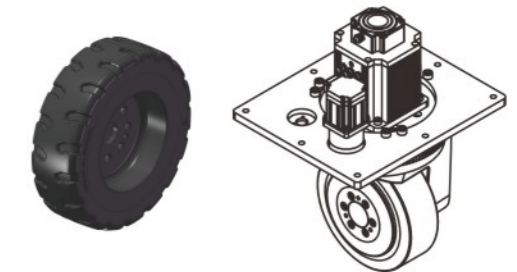
LDS230 Series

ZL-LDS-230-1500-400



行走电机参数
Parameters of walking motor

电机类型 Motor type		伺服电机 Servo motor		
电机功率 Motor power	W	1500		
电机电压 Motor voltage	V(DC)	48		
电机电流 Motor current	A	39		
电机转速 Motor speed	rpm	3000		
电机扭矩 Motor Torque	N·m	4.77		
防护等级 Protection level	IP	54		
电机编码器 Motor encoder		增量光编 Incremental Optical Weaving		
行走减速比 Walking reducer		16	20	28
行走速度 Walking speed	m/min	135.4	108.3	77.3
舵轮输出扭矩 Output Torque	N·m	70	90	125
牵引力 Traction	N	608	782	1086
参考牵引重量 Reference Traction weight	Kg	900	1173	1600
聚氨酯承重 Polyurethane load-bearing	Kg	1120		

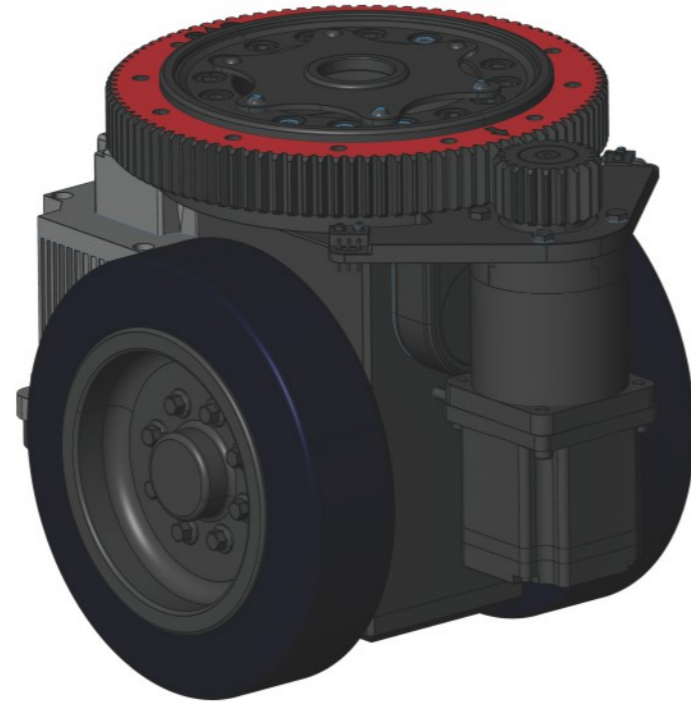


转向电机参数
Steering Motor parameters

转向电机参数 Steering Motor parameters	电机类型 Motor type		伺服电机 Servo motor	
	电机功率 Motor power	W	400	
	电机电压 Motor voltage	V(DC)	48	
	电机电流 Motor current	A	11.95	
	电机转速 Motor speed	rpm	3000	
	电机扭矩 Motor Torque	N·m	1.27	
	防护等级 Protection level	IP	54	
	电机编码器 Motor encoder		增量磁编 Magnetic coding	
	减速器速比 Speed ratio of reducer	i	35	
	回转支承齿数 Slewing gear	123	齿数比6.15 : 1 Gear ratio 6.15 : 1	
	转向齿轮齿数 Number of steering gear teeth	20		
	总转向速比 Total steering ratio	i	215.25	
	转向角度 Steering Angle	°	360	
制动器 Brake	工作电压 Working voltage	V(DC)		
	制动扭矩 Braking torque	N·m		

WDSS Series

- WDSS 230
- WDSS 250
- WDSS 300
- WDSS 400
- WDSS 580
- WDSS 780

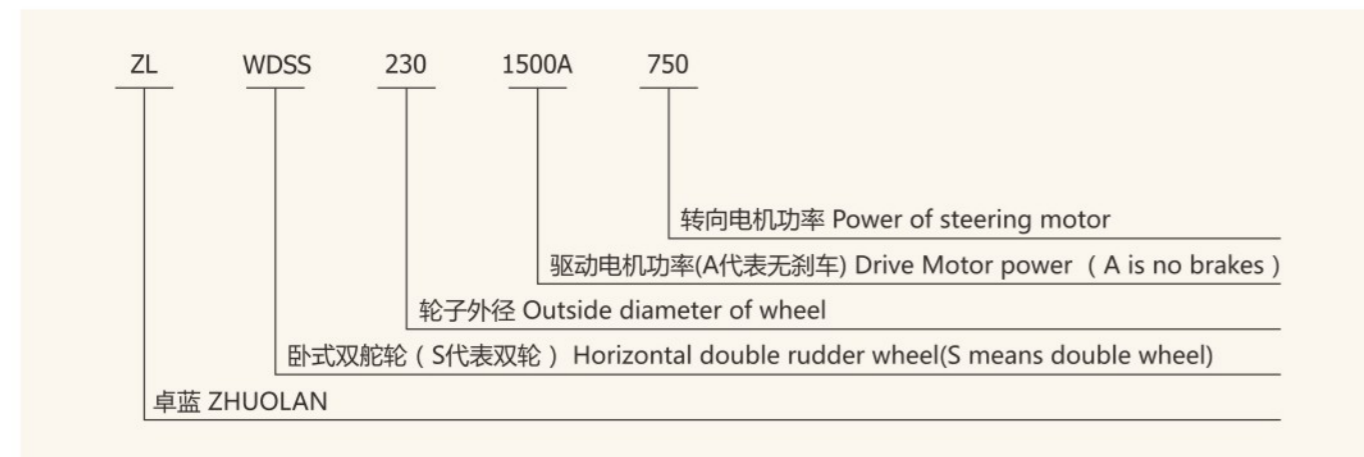


WDSS

Series

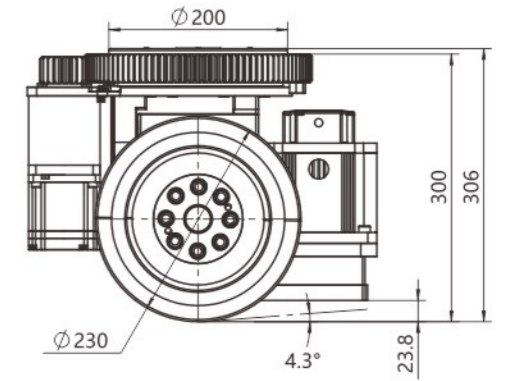
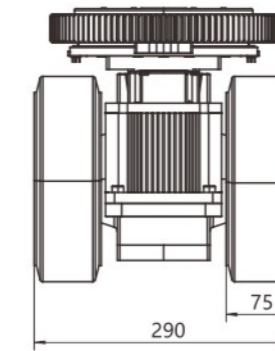
WDSS系列型号说明

WDSS series model description



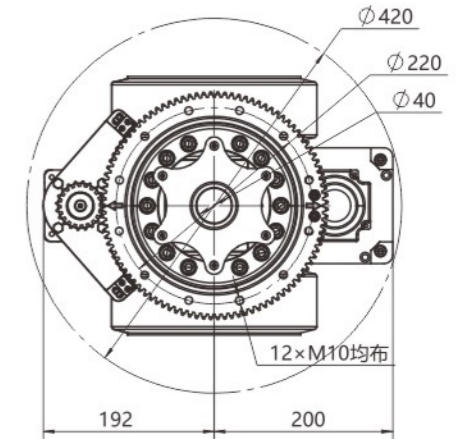
WDSS 230 Series

ZL-WDSS-230-1500A-750



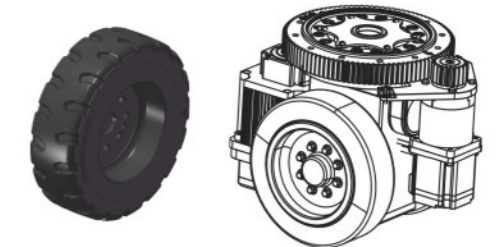
转向电机参数
Steering motor parameters

电机类型 Type/Motor type	DC	伺服电机 Servo motor
电机功率 Motor power	W	750
电机电压 Motor voltage	V	48
电机转速 Motor speed	rpm	3000
电机电流 Motor current	A	19.9
减速器速比 Speed ratio of reducer	i	35×(100 : 20)
电机扭矩 Motor torque	N·m	2.39
防护等级 Protection level	IP	65
左右限位 Left and right limit	IO	5A125/250VAC
最大转向角度 Steering Angle	°	±140°



牵引电机参数
Parameters of traction motor

电机类型 Motor type	DC	伺服电机 Servo motor
电机功率 Motor power	W	1500
电机电压 Motor voltage	V	48
电机转速 Motor speed	rpm	3000
电机电流 Motor current	A	37.4
额定扭矩 Rated Torque	N·m	5
防护等级 Protection level	IP	65



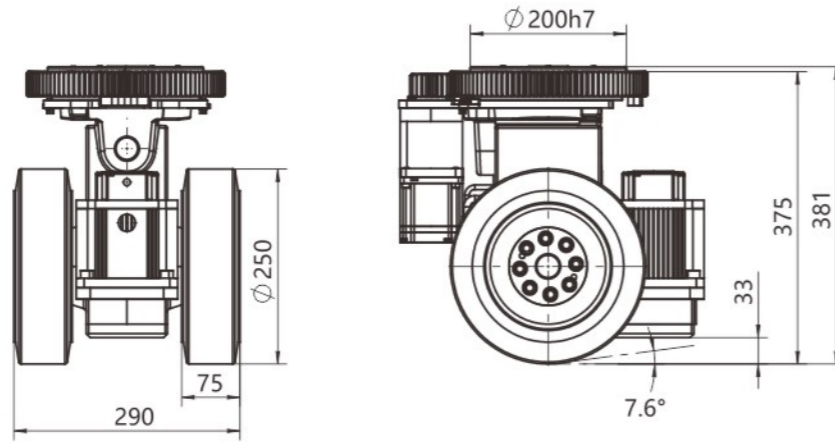
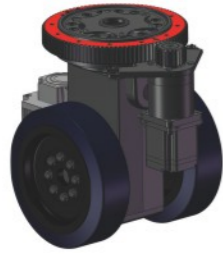
牵引减速机参数
Parameter table of traction reducer

类型 Type	X	行星减速机 Planetary reducer			
减速机速比 Speed ratio of reducer	i	24	30	42	60
减速机扭矩 Reducer torque	N·m	516	567	384	237
聚氨酯承重 Polyurethane load-bearing	Kg	1600	1600	1600	1600
橡胶承重 Rubber bearing	Kg	1100	1100	1100	1100
最大速度 Maximum velocity	M/min	90.3	72.2	51.6	36.1
牵引力 Traction	N	939.1	1174	1643	1855
牵引重量 Traction weight	参考 Reference	1408.7	1761	2465	2782

WDSS Series

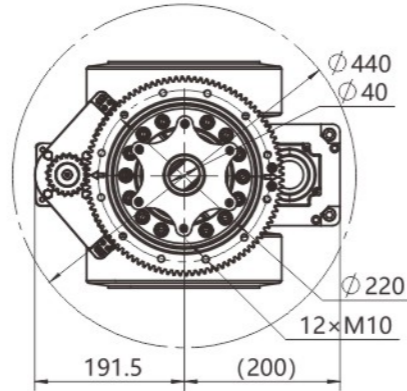
WDSS 250 Series

ZL-WDSS-250-1500A-750



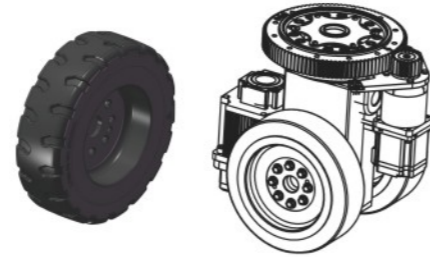
转向电机参数
Steering motor parameters

电机类型 Type/Motor type	DC	伺服电机 Servo motor
电机功率 Motor power	W	750
电机电压 Motor voltage	V	48
电机转速 Motor speed	rpm	3000
电机电流 Motor current	A	19.9
减速器速比 Speed ratio of reducer	i	35×(100 : 20)
电机扭矩 Motor torque	N·m	2.39
防护等级 Protection level	IP	65
左右限位 Left and right limit	IO	5A125/250VAC
最大转向角度 Steering Angle	°	±140°



牵引电机参数
Parameters of traction motor

电机类型 Motor type	DC	伺服电机 Servo motor
电机功率 Motor power	W	1500
电机电压 Motor voltage	V	48
电机转速 Motor speed	rpm	3000
电机电流 Motor current	A	37.4
额定扭矩 Rated Torque	N·m	5
防护等级 Protection level	IP	65

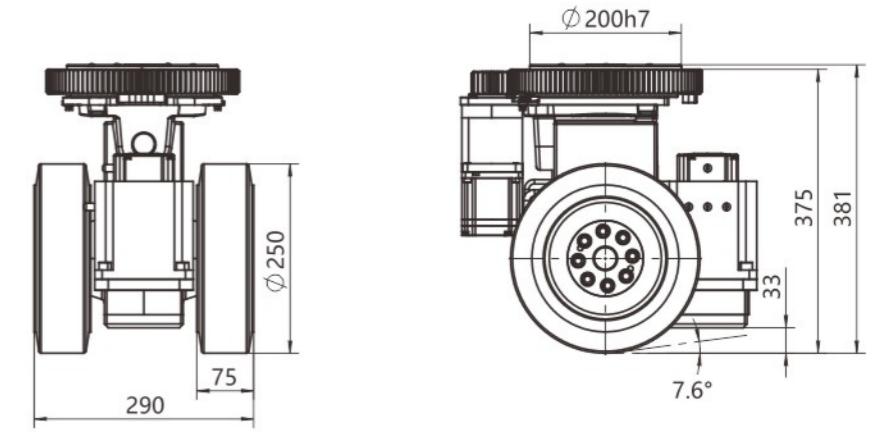


牵引减速机参数
Parameter table of traction reducer

类型 Type	X	行星减速机 Planetary reducer			
减速比 Speed ratio of reducer	i	24	30	42	60
减速机扭矩 Reducer torque	N·m	516	567	384	237
聚氨酯承重 Polyurethane load-bearing	Kg	2200	2200	2200	2200
橡胶承重 Rubber bearing	Kg	1400	1400	1400	1400
最大速度 Maximum velocity	M/min	98.1	78.5	56.1	39.3
牵引力 Traction	N	864	1080	1512	1706
牵引重量 Traction weight	参考 Reference	1296	1620	2268	2560

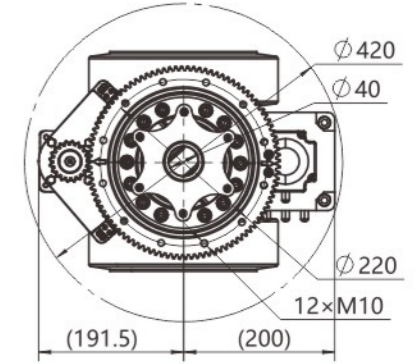
WDSS 250 Series

ZL-WDSS-250-2300A-750



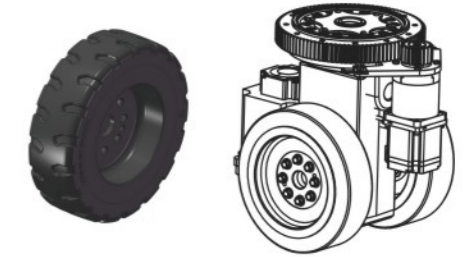
转向电机参数
Steering motor parameters

电机类型 Type/Motor type	DC	伺服电机 Servo motor
电机功率 Motor power	W	750
电机电压 Motor voltage	V	48
电机转速 Motor speed	rpm	3000
电机电流 Motor current	A	19.9
减速器速比 Speed ratio of reducer	i	35×(100 : 20)
电机扭矩 Motor torque	N·m	2.39
防护等级 Protection level	IP	65
左右限位 Left and right limit	IO	5A125/250VAC
最大转向角度 Steering Angle	°	±140°



牵引电机参数
Parameters of traction motor

电机类型 Motor type	DC	伺服电机 Servo motor
电机功率 Motor power	W	2300
电机电压 Motor voltage	V	48
电机转速 Motor speed	rpm	3000
电机电流 Motor current	A	65
额定扭矩 Rated Torque	N·m	7.3
防护等级 Protection level	IP	54



牵引减速机参数
Parameter table of traction reducer

类型 Type	X	行星减速机 Planetary reducer			
减速比 Speed ratio of reducer	i	24	30	42	60
减速机扭矩 Reducer torque	N·m	516	567	384	237
聚氨酯承重 Polyurethane load-bearing	Kg	2200	2200	2200	2200
橡胶承重 Rubber bearing	Kg	1400	1400	1400	1400
最大速度 Maximum velocity	M/min	98.1	78.5	56.1	39.3
牵引力 Traction	N	1261	1576.8	2208	1706
牵引重量 Traction weight	参考 Reference	1892	2365.2	3311	2560

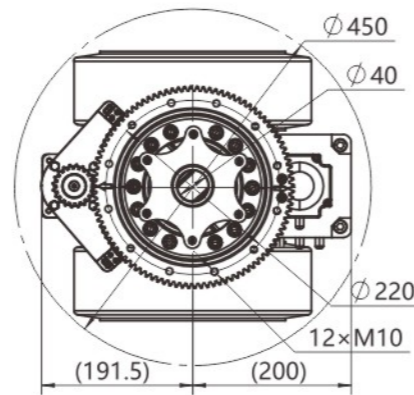
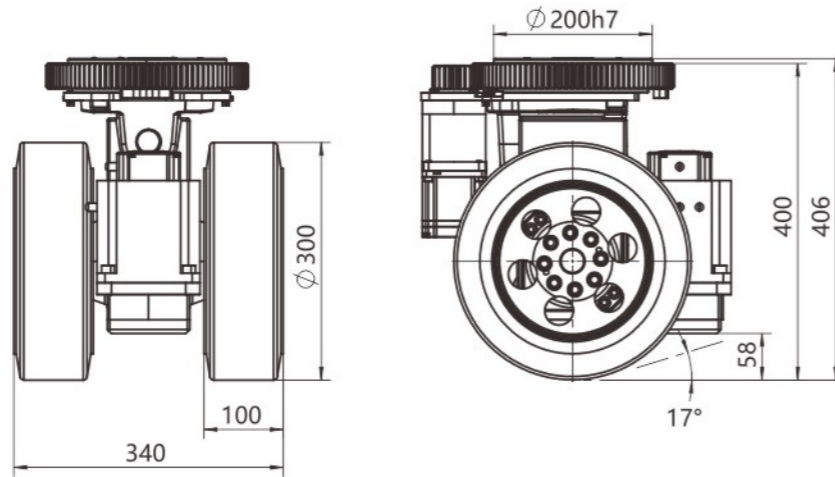
WDSS 300 Series

ZL-WDSS-300-2300A-750



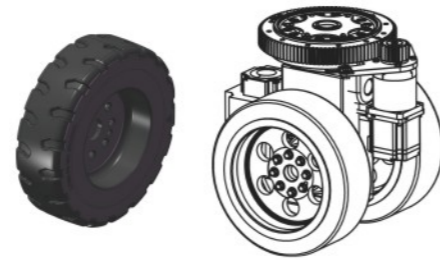
转向电机参数
Steering motor parameters

电机类型 Type/Motor type	DC	伺服电机 Servo motor
电机功率 Motor power	W	750
电机电压 Motor voltage	V	48
电机转速 Motor speed	rpm	3000
电机电流 Motor current	A	19.9
减速器速比 Speed ratio of reducer	i	35×(100 : 20)
电机扭矩 Motor torque	N·m	2.39
防护等级 Protection level	IP	54
左右限位 Left and right limit	IO	5A125/250VAC
最大转向角度 Steering Angle	°	±140°



牵引电机参数
Parameters of traction motor

电机类型 Motor type	DC	伺服电机 Servo motor
电机功率 Motor power	W	2300
电机电压 Motor voltage	V	48
电机转速 Motor speed	rpm	3000
电机电流 Motor current	A	65
额定扭矩 Rated Torque	N·m	7.3
防护等级 Protection level	IP	54



牵引减速机参数
Parameter table of traction reducer

类型 Type	X	行星减速机 Planetary reducer			
减速机速比 Speed ratio of reducer	i	24	30	42	60
减速机扭矩 Reducer torque	N·m	516	567	384	237
聚氨酯承重 Polyurethane load-bearing	Kg	3600	3600	3600	3600
橡胶承重 Rubber bearing	Kg	2000	2000	2000	2000
最大速度 Maximum velocity	M/min	117.8	94.2	67.3	47.1
牵引力 Traction	N	1051	1314	1840	1422
牵引重量 Traction weight	参考 Reference	1577	1971	2759	2133

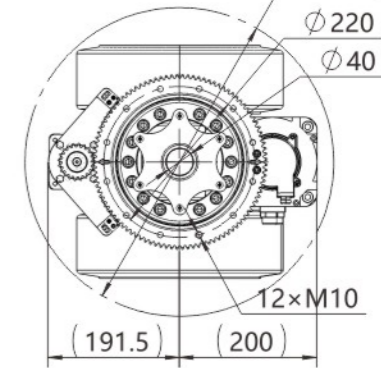
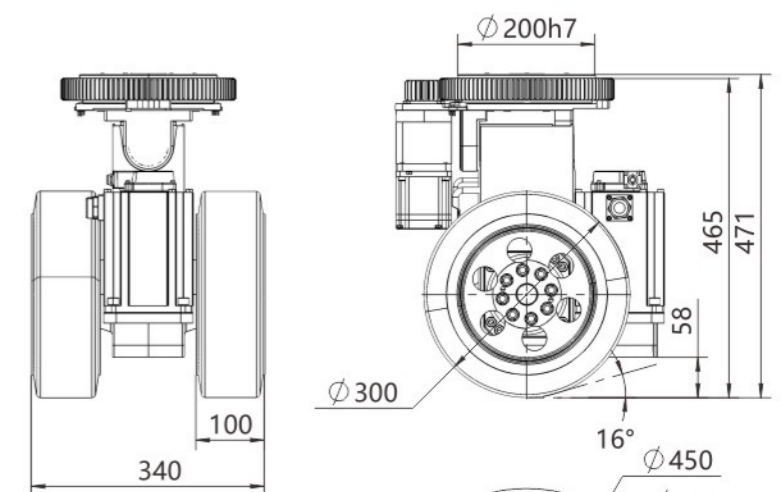
WDSS 300 Series

ZL-WDSS-300-3000A-750



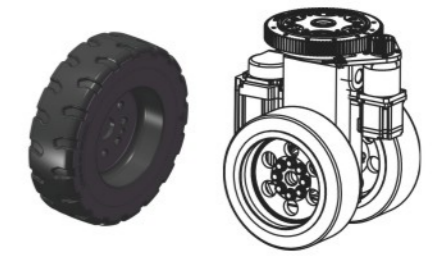
转向电机参数
Steering motor parameters

电机类型 Type/Motor type	DC	伺服电机 Servo motor
电机功率 Motor power	W	750
电机电压 Motor voltage	V	48
电机转速 Motor speed	rpm	3000
电机电流 Motor current	A	19.9
减速器速比 Speed ratio of reducer	i	35×(100 : 20)
电机扭矩 Motor torque	N·m	2.39
防护等级 Protection level	IP	54
左右限位 Left and right limit	IO	5A125/250VAC
最大转向角度 Steering Angle	°	±140°



牵引电机参数
Parameters of traction motor

电机类型 Motor type	DC	伺服电机 Servo motor
电机功率 Motor power	W	3000
电机电压 Motor voltage	V	48
电机转速 Motor speed	rpm	1500
电机电流 Motor current	A	90
额定扭矩 Rated Torque	N·m	19
防护等级 Protection level	IP	54



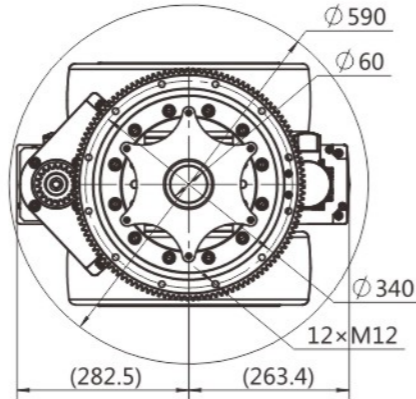
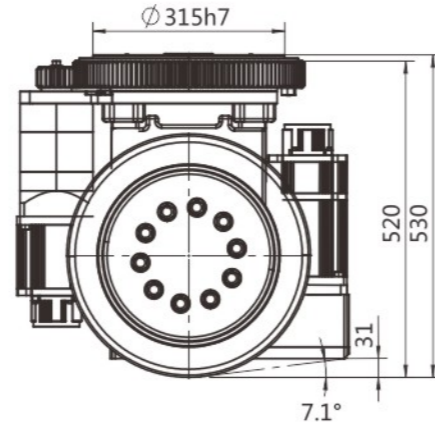
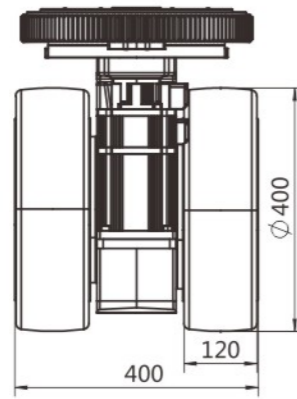
牵引减速机参数
Parameter table of traction reducer

类型 Type	X	行星减速机 Planetary reducer			
减速机速比 Speed ratio of reducer	i	24	30	42	60
减速机扭矩 Reducer torque	N·m	516	567	384	237
聚氨酯承重 Polyurethane load-bearing	Kg	3600	3600	3600	3600
橡胶承重 Rubber bearing	Kg	2000	2000	2000	2000
最大速度 Maximum velocity	M/min	58.9	47.1	33.6	23.6
牵引力 Traction	N	2736	3402	2304	1422
牵引重量 Traction weight	参考 Reference	4104	5103	3456	2133

WDSS Series

WDSS 400 Series

ZL-WDSS-400-3000A-1500

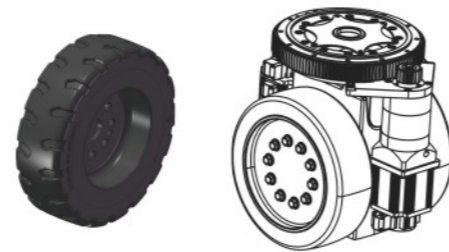


转向电机参数
Steering motor parameters

电机类型 Type/Motor type	DC	伺服电机 Servo motor
电机功率 Motor power	W	1500
电机电压 Motor voltage	V	48
电机转速 Motor speed	rpm	3000
电机电流 Motor current	A	39
减速器速比 Speed ratio of reducer	i	35×(100 : 20)
电机扭矩 Motor torque	N·m	4.77
防护等级 Protection level	IP	54
左右限位 Left and right limit	IO	5A125/250VAC
最大转向角度 Steering Angle	°	±140°

牵引电机参数
Parameters of traction motor

电机类型 Motor type	DC	伺服电机 Servo motor
电机功率 Motor power	W	3000
电机电压 Motor voltage	V	48
电机转速 Motor speed	rpm	1500
电机电流 Motor current	A	90
额定扭矩 Rated Torque	N·m	19
防护等级 Protection level	IP	65

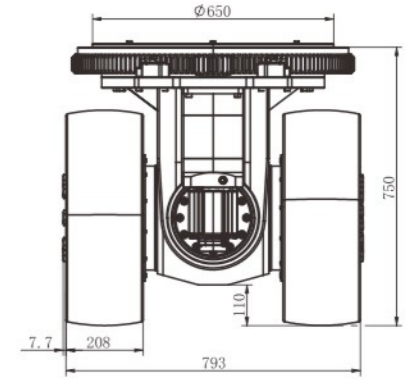
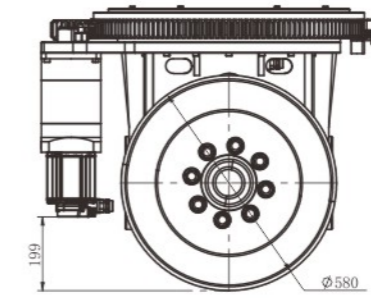


牵引减速机参数
Parameter table of traction reducer

类型 Type	X	行星减速机 Planetary reducer			
减速机速比 Speed ratio of reducer	i	36	45	48	60
减速机扭矩 Reducer torque	N·m	750	750	750	750
聚氨酯承重 Polyurethane load-bearing	Kg	5000	5000	5000	5000
橡胶承重 Rubber bearing	Kg	3000	3000	3000	3000
最大速度 Maximum velocity	M/min	52.3	41.9	39.3	31.4
牵引力 Traction	N	3078	3375	3375	3375
牵引重量 Traction weight	参考 Reference	4617	5062.5	5062.5	5062.5

WDSS 580 Series

ZL-WDSS-580-7500A-2350

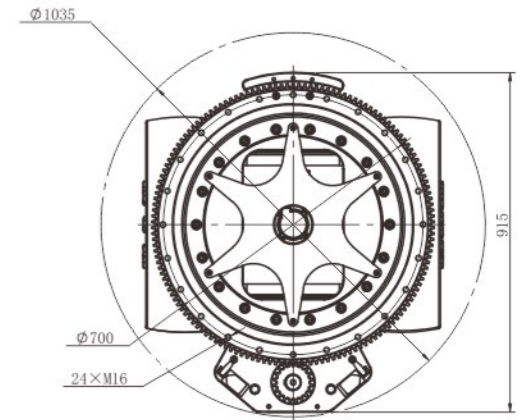


转向电机参数
Steering motor parameters

电机类型 Type/Motor type	DC	伺服电机 Servo motor
电机功率 Motor power	W	2350
电机电压 Motor voltage	V	72
电机转速 Motor speed	rpm	3000
电机电流 Motor current	A	41±10%
减速器速比 Speed ratio of reducer	i	64×(150 : 20)
电机扭矩 Motor torque	N·m	7.5
防护等级 Protection level	IP	65
左右限位 Left and right limit	IO	D4V-8108SZ-N8104SZ-N
最大转向角度 Steering Angle	°	±140°

牵引电机参数
Parameters of traction motor

电机类型 Motor type	DC	伺服电机 Servo motor
电机功率 Motor power	W	7500
电机电压 Motor voltage	V	72
电机转速 Motor speed	rpm	2000
电机电流 Motor current	A	135±10%
额定扭矩 Rated Torque	N·m	35
防护等级 Protection level	IP	65



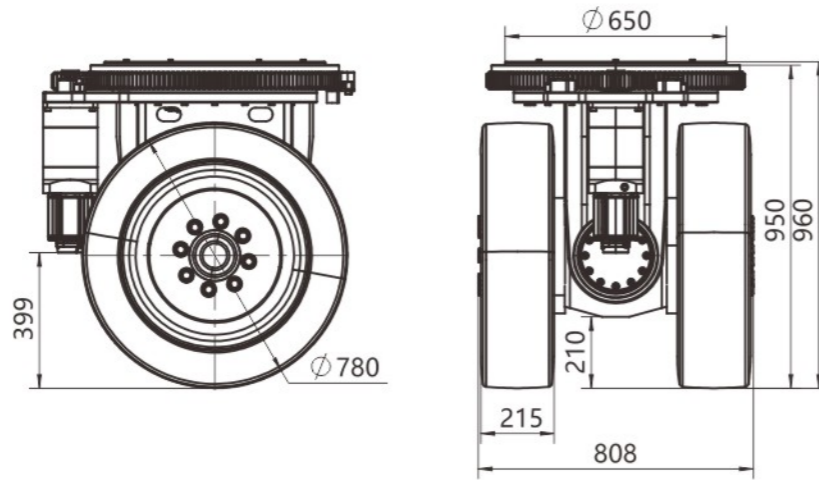
牵引减速机参数
Parameter table of traction reducer

类型 Type	X	行星减速机 Planetary reducer		
减速机速比 Speed ratio of reducer	i	108	144	180
减速机扭矩 Reducer torque	N·m	4800	4800	4800
聚氨酯承重 Polyurethane load-bearing	Kg	11200	11200	11200
橡胶承重 Rubber bearing	Kg	6200	6200	6200
制动扭矩 Braking torque	N·m	4860	6480	8100
制动器扭矩 Brake torque	N·m	50	50	50
制动器电压 Brake voltage	V	DC24	DC24	DC24
最大速度 Maximum velocity	M/min	33.7	25.3	20.2
牵引力 Traction	N	6455	6455	6455
牵引重量 Traction weight	参考 Reference	9682	9682	9682

WDSS Series

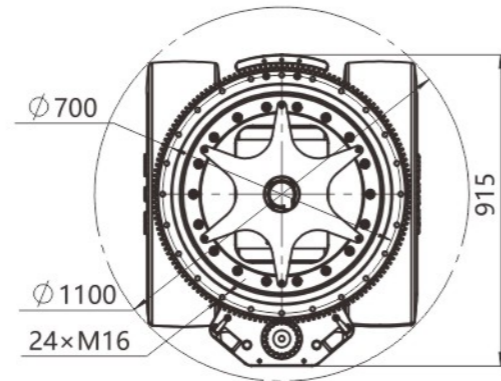
WDSS 780 Series

ZL-WDSS-780-7500A-2350



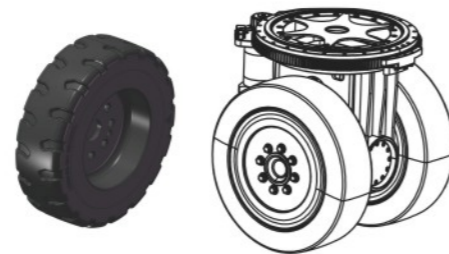
转向电机参数
Steering motor parameters

电机类型 Type/Motor type	DC	伺服电机 Servo motor
电机功率 Motor power	W	2350
电机电压 Motor voltage	V	72
电机转速 Motor speed	rpm	3000
电机电流 Motor current	A	41±10%
减速器速比 Speed ratio of reducer	i	64×(150 : 20)
电机扭矩 Motor torque	N·m	7.5
防护等级 Protection level	IP	65
左右限位 Left and right limit	IO	D4V-8108SZ-N8104SZ-N
最大转向角度 Steering Angle	°	±140°



牵引电机参数
Parameters of traction motor

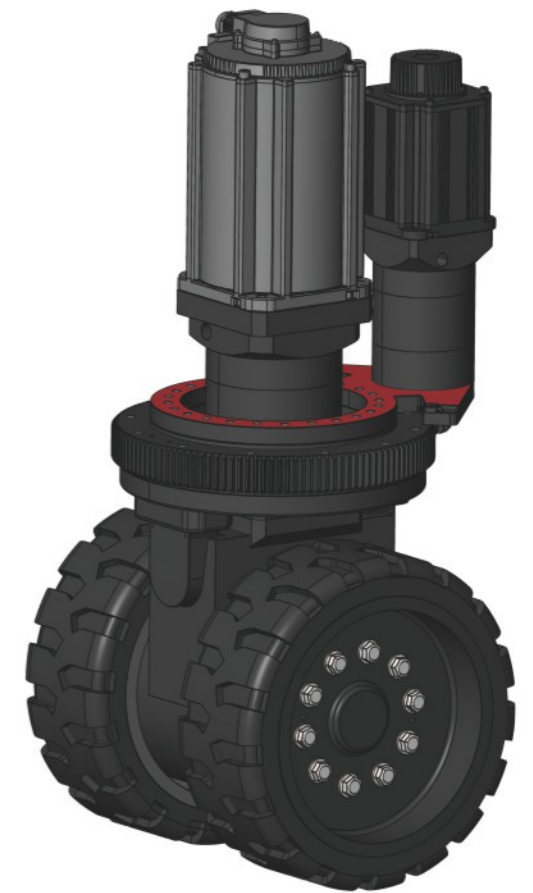
电机类型 Motor type	DC	伺服电机 Servo motor
电机功率 Motor power	W	7500
电机电压 Motor voltage	V	72
电机转速 Motor speed	rpm	2000
电机电流 Motor current	A	135±10%
额定扭矩 Rated Torque	N·m	35
防护等级 Protection level	IP	65



牵引减速机参数
Parameter table of traction reducer

类型 Type	X	行星减速机 Planetary reducer		
减速机速比 Speed ratio of reducer	i	108	144	180
减速机扭矩 Reducer torque	N·m	4800	4800	4800
聚氨酯承重 Polyurethane load-bearing	Kg	11200	11200	11200
橡胶承重 Rubber bearing	Kg	6200	6200	6200
制动扭矩 Braking torque	N·m	4860	6480	8100
制动器扭矩 Brake torque	N·m	50	50	50
制动器电压 Brake voltage	V	DC24	DC24	DC24
最大速度 Maximum velocity	M/min	45.4	34.0	27.2
牵引力 Traction	N	8723.1	8723.1	8723.1
牵引重量 Traction weight	参考 Reference	13084.6	13084.6	13084.6

- LDSS 200
- LDSS 250
- LDSS 350
- LDSS 400

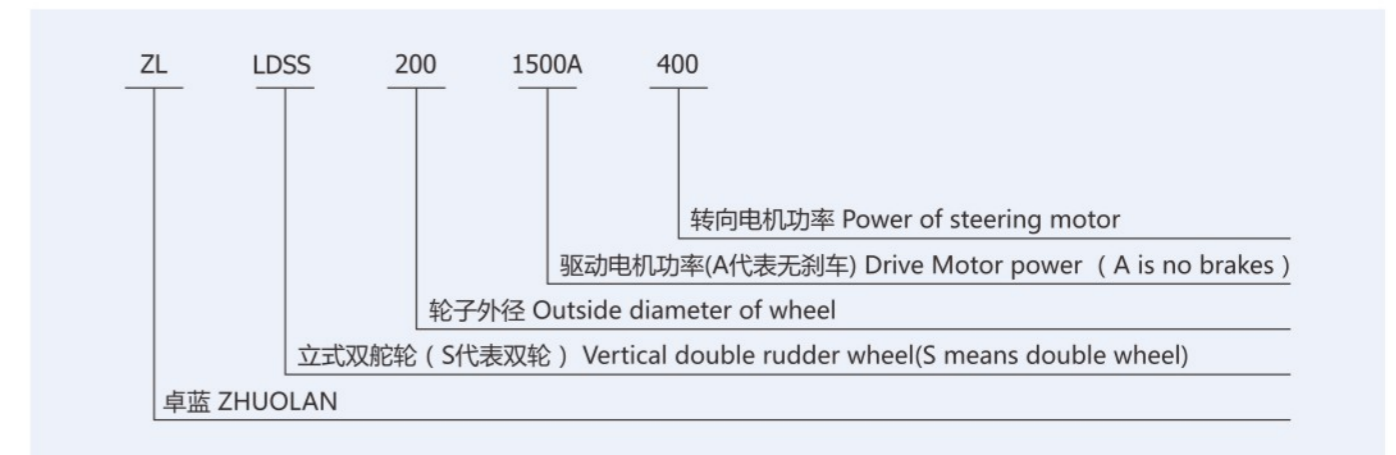


LDSS

Series

LDSS系列型号说明

LDSS series model description



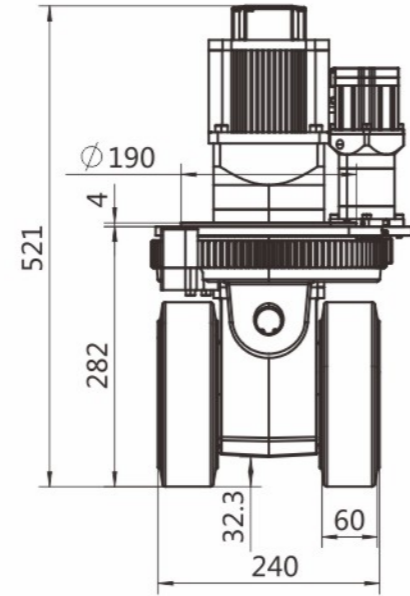
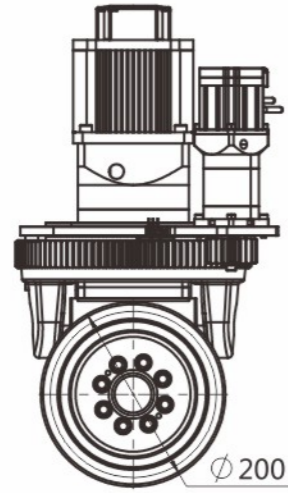
LDSS Series

LDSS 200 Series

ZL-LDSS-200-1500A-400



转向电机参数
Steering motor parameters



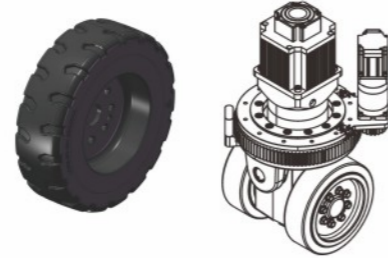
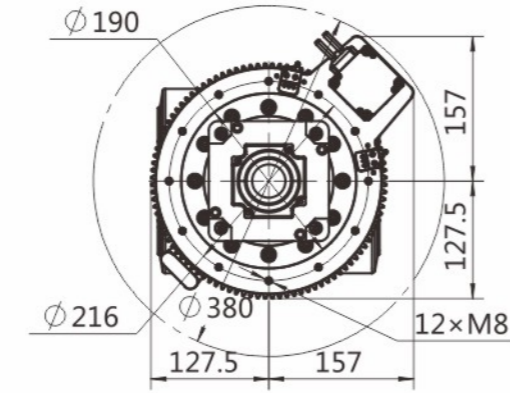
电机类型 Type/Motor type	DC	伺服电机 Servo motor
电机功率 Motor power	W	400
电机电压 Motor voltage	V	48
电机转速 Motor speed	rpm	3000
电机电流 Motor current	A	10.1
减速器速比 Speed ratio of reducer	i	35×(100 : 20)
电机扭矩 Motor torque	N·m	1.27
防护等级 Protection level	IP	65
左右限位 Left and right limit	IO	5A125/250VAC
最大转向角度 Steering Angle	°	±140°

牵引电机参数
Parameters of traction motor

电机类型 Motor type	DC	伺服电机 Servo motor
电机功率 Motor power	W	1500
电机电压 Motor voltage	V	48
电机转速 Motor speed	rpm	3000
电机电流 Motor current	A	37.4
额定扭矩 Rated Torque	N·m	5
防护等级 Protection level	IP	65

牵引减速机参数
Parameter table of traction reducer

类型 Type	X	行星减速机 Planetary reducer			
减速机速比 Speed ratio of reducer	I	16	20	28	40
减速机扭矩 Reducer torque	N·m	888	940	632	372
聚氨酯承重 Polyurethane load-bearing	Kg	1600	1600	1600	1600
橡胶承重 Rubber bearing	Kg	1100	1100	1100	1100
制动扭矩 Braking torque	N·m	240	300	420	600
制动器扭矩 Brake torque	N·m	15	15	15	15
制动器电压 Brake voltage	V	DC24	DC24	DC24	DC24
最大速度 Maximum velocity	M/min	117.8	94.2	67.3	47.1
牵引力 Traction	N	720	900	1260	1800
牵引重量 Traction weight	参考 Reference	1080	1350	1890	2700

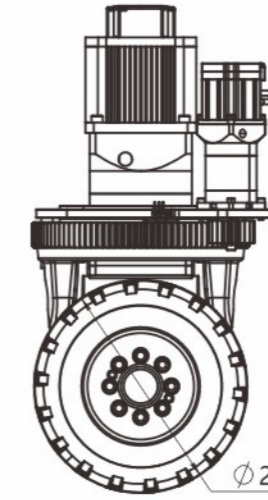


LDSS 250 Series

ZL-LDSS-250-1500A-750



转向电机参数
Steering motor parameters



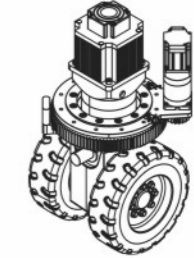
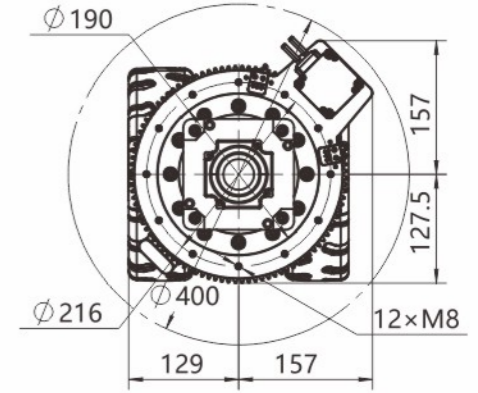
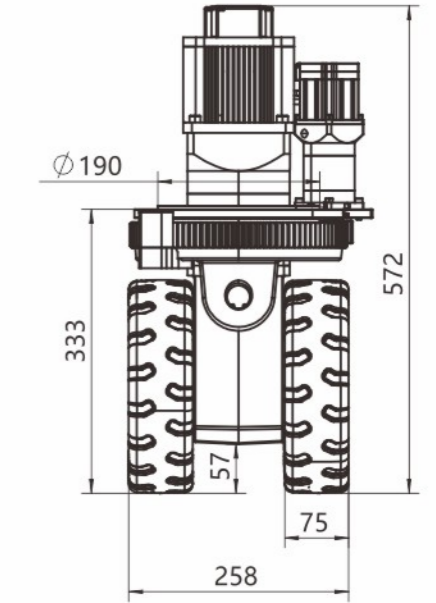
电机类型 Type/Motor type	DC	伺服电机 Servo motor
电机功率 Motor power	W	750
电机电压 Motor voltage	V	48
电机转速 Motor speed	rpm	3000
电机电流 Motor current	A	19
减速器速比 Speed ratio of reducer	i	35×(100 : 20)
电机扭矩 Motor torque	N·m	2.39
防护等级 Protection level	IP	65
左右限位 Left and right limit	IO	5A125/250VAC
最大转向角度 Steering Angle	°	±140°

牵引电机参数
Parameters of traction motor

电机类型 Motor type	DC	伺服电机 Servo motor
电机功率 Motor power	W	1500
电机电压 Motor voltage	V	48
电机转速 Motor speed	rpm	3000
电机电流 Motor current	A	37.4
额定扭矩 Rated Torque	N·m	5
防护等级 Protection level	IP	65

牵引减速机参数
Parameter table of traction reducer

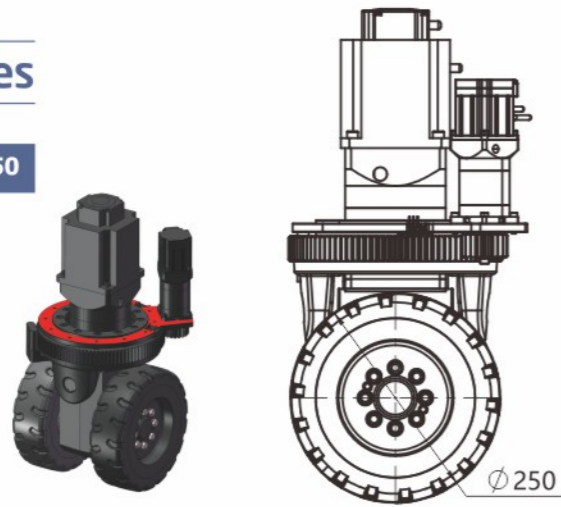
类型 Type	X	行星减速机 Planetary reducer			
减速机速比 Speed ratio of reducer	I	16	20	28	40
减速机扭矩 Reducer torque	N·m	888	940	632	372
聚氨酯承重 Polyurethane load-bearing	Kg	2200	2200	2200	2200
橡胶承重 Rubber bearing	Kg	1400	1400	1400	1400
制动扭矩 Braking torque	N·m	240	300	420	600
制动器扭矩 Brake torque	N·m	15	15	15	15
制动器电压 Brake voltage	V	DC24	DC24	DC24	DC24
最大速度 Maximum velocity	M/min	147.2	117.8	84.1	58.9
牵引力 Traction	N	576	720	1008	1440
牵引重量 Traction weight	参考 Reference	864	1080	1512	2160



LDSS Series

LDSS 250 Series

ZL-LDSS-250-2300A-750



转向电机参数
Steering motor parameters

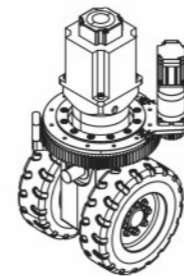
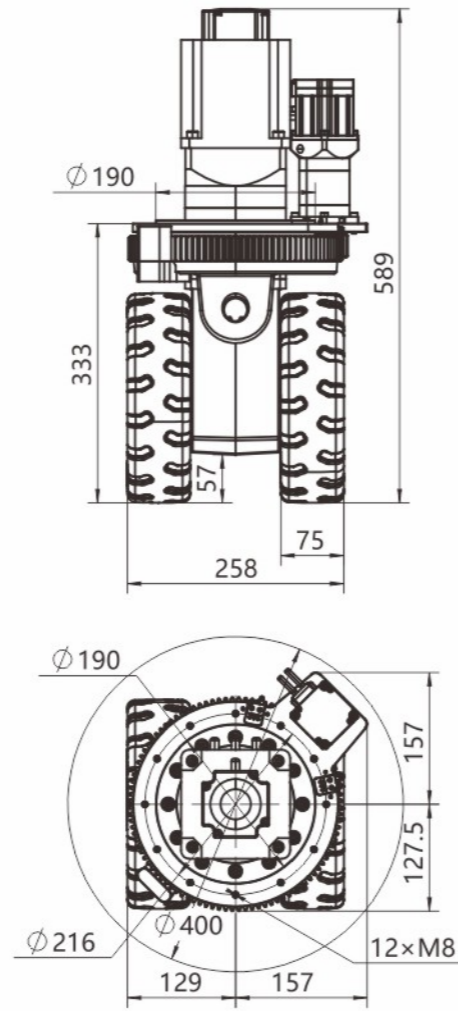
电机类型 Type/Motor type	DC	伺服电机 Servo motor
电机功率 Motor power	W	750
电机电压 Motor voltage	V	48
电机转速 Motor speed	rpm	3000
电机电流 Motor current	A	19
减速器速比 Speed ratio of reducer	i	35×(100 : 20)
电机扭矩 Motor torque	N·m	2.39
防护等级 Protection level	IP	65
左右限位 Left and right limit	IO	5A125/250VAC
最大转向角度 Steering Angle	°	±140°

牵引电机参数
Parameters of traction motor

电机类型 Motor type	DC	伺服电机 Servo motor
电机功率 Motor power	W	2300
电机电压 Motor voltage	V	48
电机转速 Motor speed	rpm	3000
电机电流 Motor current	A	67
额定扭矩 Rated Torque	N·m	7.3
防护等级 Protection level	IP	65

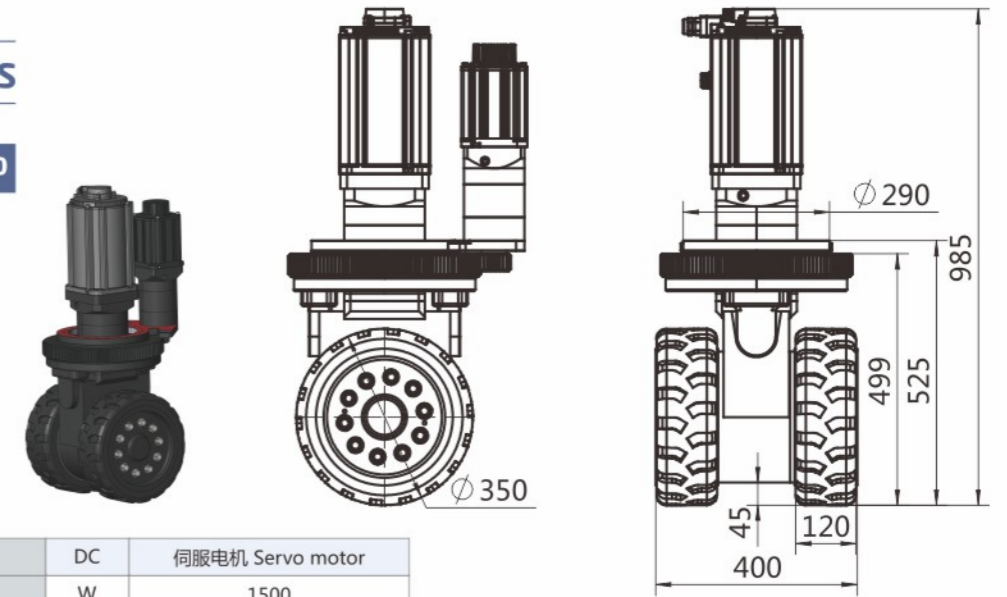
牵引减速机参数
Parameter table of traction reducer

类型 Type	X	行星减速机 Planetary reducer			
减速机速比 Speed ratio of reducer	I	16	20	28	40
减速机扭矩 Reducer torque	N·m	888	940	632	372
聚氨酯承重 Polyurethane load-bearing	Kg	2200	2200	2200	2200
橡胶承重 Rubber bearing	Kg	1400	1400	1400	1400
制动扭矩 Braking torque	N·m	240	300	420	600
制动器扭矩 Brake torque	N·m	15	15	15	15
制动器电压 Brake voltage	V	DC24	DC24	DC24	DC24
最大速度 Maximum velocity	M/min	147.2	117.8	84.1	58.9
牵引力 Traction	N	841	1051.2	1472	2102
牵引重量 Traction weight	参考 Reference	1261	1576.8	2208	3154



LDSS 350 Series

ZL-LDSS-350-7500A-1500



转向电机参数
Steering motor parameters

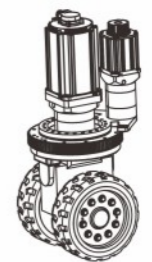
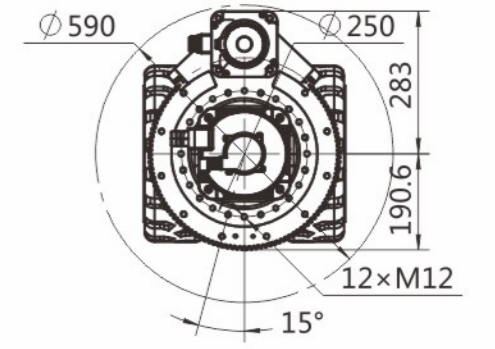
电机类型 Type/Motor type	DC	伺服电机 Servo motor
电机功率 Motor power	W	1500
电机电压 Motor voltage	V	48
电机转速 Motor speed	rpm	3000
电机电流 Motor current	A	37.4
减速器速比 Speed ratio of reducer	i	35×(100 : 20)
电机扭矩 Motor torque	N·m	7.3
防护等级 Protection level	IP	65
左右限位 Left and right limit	IO	5A125/250VAC
最大转向角度 Steering Angle	°	±140°

牵引电机参数
Parameters of traction motor

电机类型 Motor type	DC	伺服电机 Servo motor
电机功率 Motor power	W	7500
电机电压 Motor voltage	V	72
电机转速 Motor speed	rpm	2000
电机电流 Motor current	A	135±10%
额定扭矩 Rated Torque	N·m	35
防护等级 Protection level	IP	65

牵引减速机参数
Parameter table of traction reducer

类型 Type	X	行星减速机 Planetary reducer			
减速机速比 Speed ratio of reducer	I	12	15	24	36
减速机扭矩 Reducer torque	N·m	1815	1260	810	2040
聚氨酯承重 Polyurethane load-bearing	Kg	4300	4300	4300	4300
橡胶承重 Rubber bearing	Kg	2500	2500	2500	2500
制动扭矩 Braking torque	N·m	600	750	1200	1800
制动器扭矩 Brake torque	N·m	50	50	50	50
制动器电压 Brake voltage	V	DC24	DC24	DC24	DC24
最大速度 Maximum velocity	M/min	183.2	146.5	91.6	61.1
牵引力 Traction	N	2160	2700	4320	6480
牵引重量 Traction weight	参考 Reference	3240	4050	6480	9720



LDSS Series

LDSS 400 Series

ZL-LDSS-400-7500A-1500

转向电机参数
Steering motor parameters

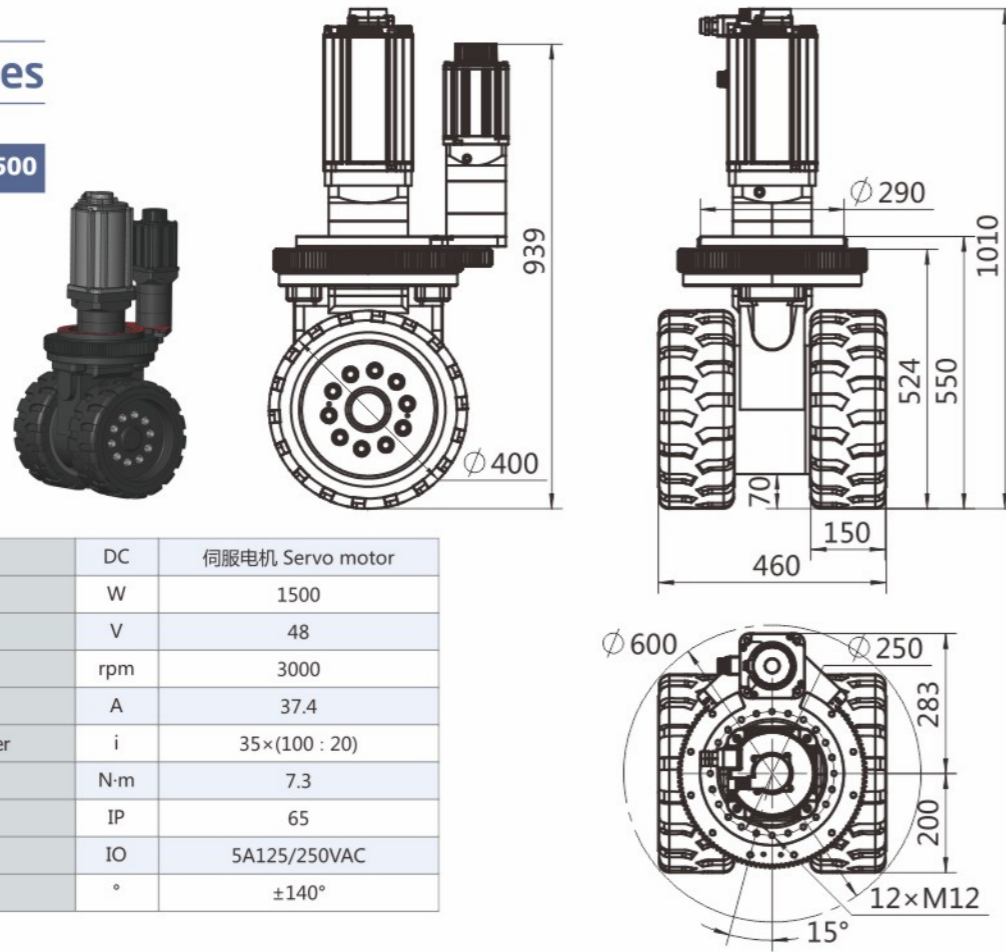
电机类型 Type/Motor type	DC	伺服电机 Servo motor
电机功率 Motor power	W	1500
电机电压 Motor voltage	V	48
电机转速 Motor speed	rpm	3000
电机电流 Motor current	A	37.4
减速器速比 Speed ratio of reducer	i	35×(100 : 20)
电机扭矩 Motor torque	N·m	7.3
防护等级 Protection level	IP	65
左右限位 Left and right limit	IO	5A125/250VAC
最大转向角度 Steering Angle	°	±140°

牵引电机参数
Parameters of traction motor

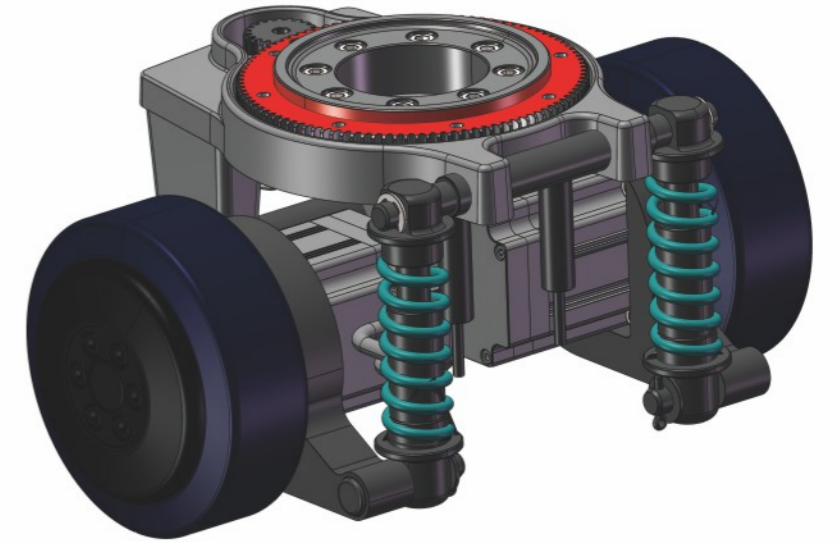
电机类型 Motor type	DC	伺服电机 Servo motor
电机功率 Motor power	W	7500
电机电压 Motor voltage	V	72
电机转速 Motor speed	rpm	2000
电机电流 Motor current	A	135±10%
额定扭矩 Rated Torque	N·m	35
防护等级 Protection level	IP	65

牵引减速机参数
Parameter table of traction reducer

类型 Type	X	行星减速机 Planetary reducer			
减速机速比 Speed ratio of reducer	I	12	15	24	36
减速机扭矩 Reducer torque	N·m	1815	1260	810	2040
聚氨酯承重 Polyurethane load-bearing	Kg	5000	5000	5000	5000
橡胶承重 Rubber bearing	Kg	3000	3000	3000	3000
制动扭矩 Braking torque	N·m	600	750	1200	1800
制动器扭矩 Brake torque	N·m	50	50	50	50
制动器电压 Brake voltage	V	DC24	DC24	DC24	DC24
最大速度 Maximum velocity	M/min	209.3	167.5	104.7	69.8
牵引力 Traction	N	1890	2362.5	3780	5670
牵引重量 Traction weight	参考 Reference	2835	3543.8	5670	8505



- CS 95
- CS 125

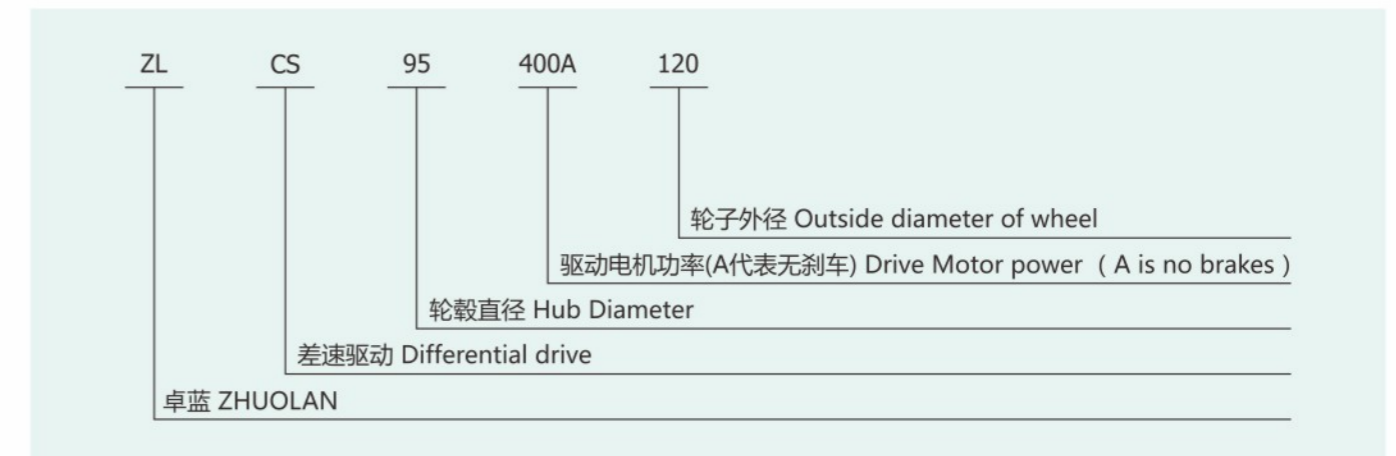


CS

Series

CS系列型号说明

CS series model description

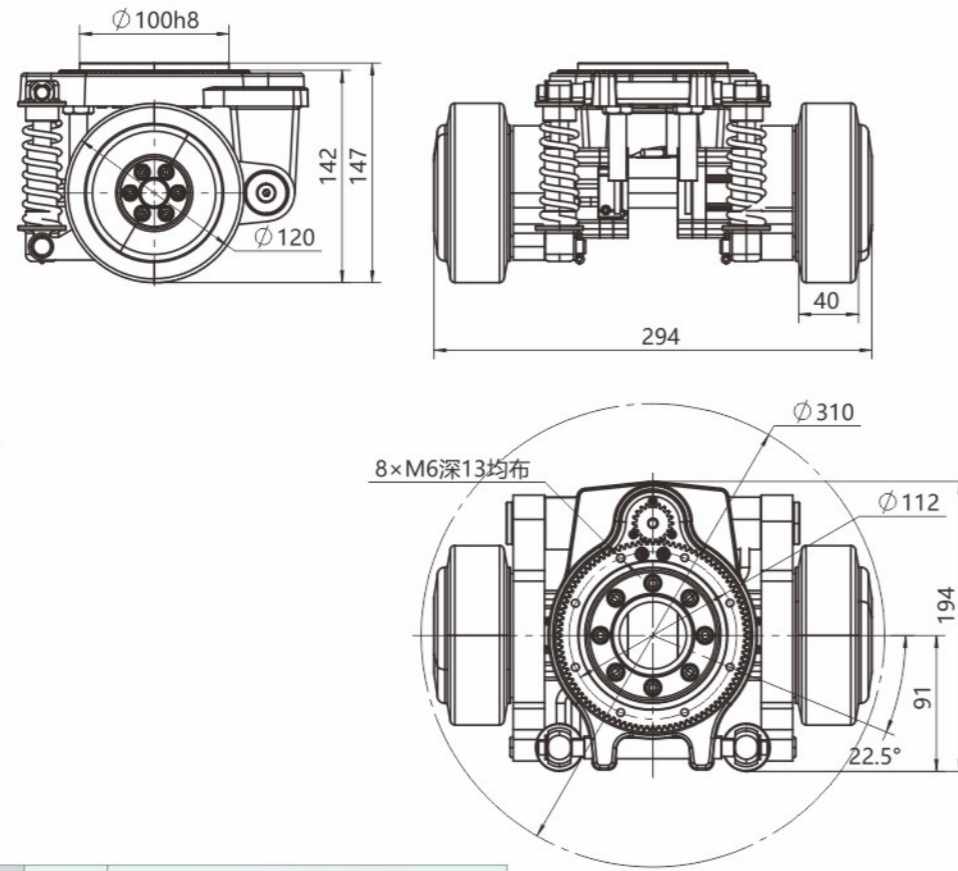
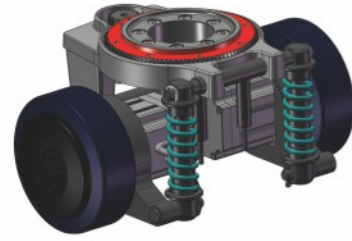


LDSS

CS Series

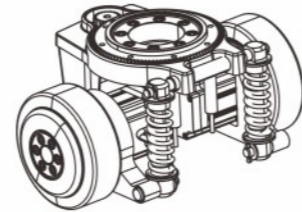
CS 95 Series

ZL-CS-95-120A-400



行走电机参数
Parameters of walking motor

电机类型 Motor type	DC	伺服电机 Servo motor				
电机额定功率 Rated power of motor	W	400				
电机额定电压 Rated voltage of motor	V	48				
电机额定转速 Rated speed of motor	rpm	3000				
电机电流 Motor current	A	11.95				
电机额定扭矩 Rated Torque of motor	N·m	1.27				
防护等级 Protection level	IP	54				
电机编码器类型 Motor encoder type		增量 Increment				
线长 Line length	m	1				
行走减速比 Walking reducer	16	20	28	35	50	
行走速度 Walking speed	70.7	56.5	40.4	32.3	22.6	
单轮额定扭矩 Rated Torque	30	30	30	33	33	
牵引力 Traction	609.6	762	789	789	789	
参考牵引重量 Reference Traction weight	913	1143	1500	1500	1500	
聚氨酯承重 Polyurethane load-bearing	Kg	360				
聚氨酯硬度 Polyurethane hardness	A	90±5				
聚氨酯颜色 Polyurethane color		深蓝色 Dark Blue				

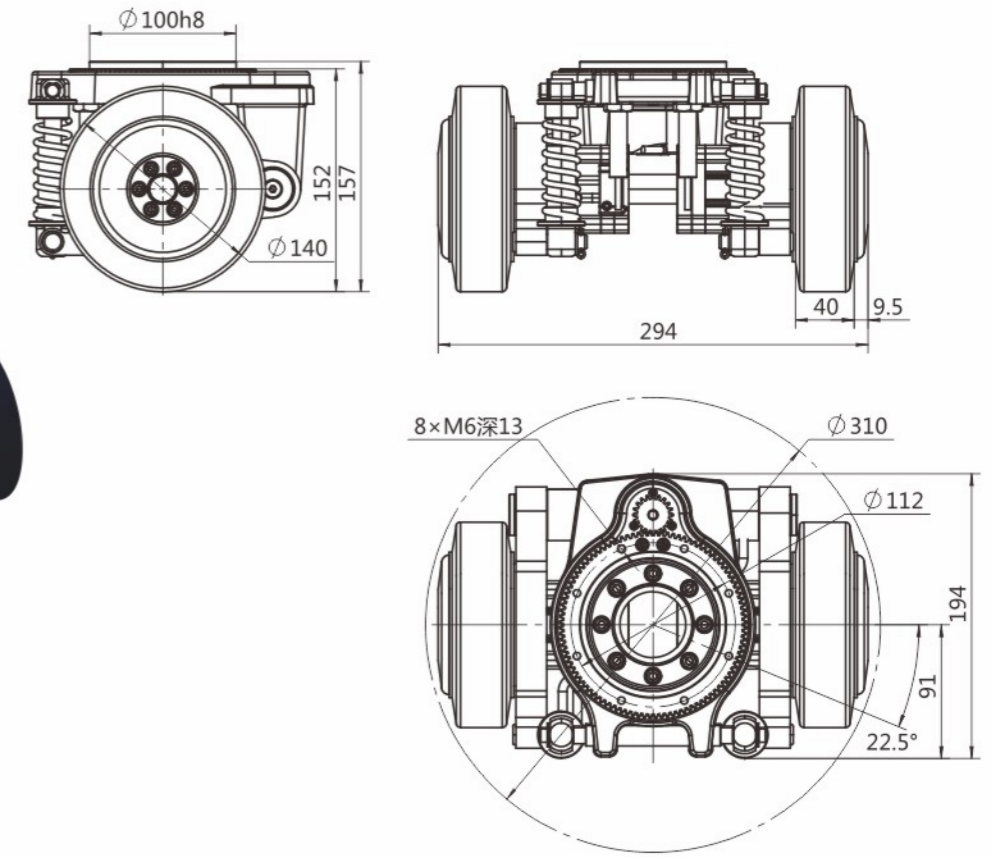


转向参数
Steering parameter

转向角度 Steering Angle	°	±140°
绝对值编码器 Absolute encoder	AHM36A-S3CK014×12	
原点传感器 Origin Sensor	IME12-02BNSZW2K	

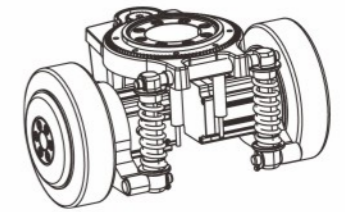
CS 95 Series

ZL-CS-95-140A-400



行走电机参数
Parameters of walking motor

电机类型 Motor type	DC	伺服电机 Servo motor				
电机额定功率 Rated power of motor	W	400				
电机额定电压 Rated voltage of motor	V	48				
电机额定转速 Rated speed of motor	rpm	3000				
电机电流 Motor current	A	11.95				
电机额定扭矩 Rated Torque of motor	N·m	1.27				
防护等级 Protection level	IP	54				
电机编码器类型 Motor encoder type		增量 Increment				
线长 Line length	m	1				
行走减速比 Walking reducer	16	20	28	35	50	
行走速度 Walking speed	82.4	65.9	47.1	37.7	26.4	
单轮额定扭矩 Rated Torque	30	30	30	33	33	
牵引力 Traction	655	789	789	789	789	
参考牵引重量 Reference Traction weight	983	1500	1500	1500	1500	
聚氨酯承重 Polyurethane load-bearing	Kg	900				
聚氨酯硬度 Polyurethane hardness	A	90±5				
聚氨酯颜色 Polyurethane color		深蓝色 Dark Blue				



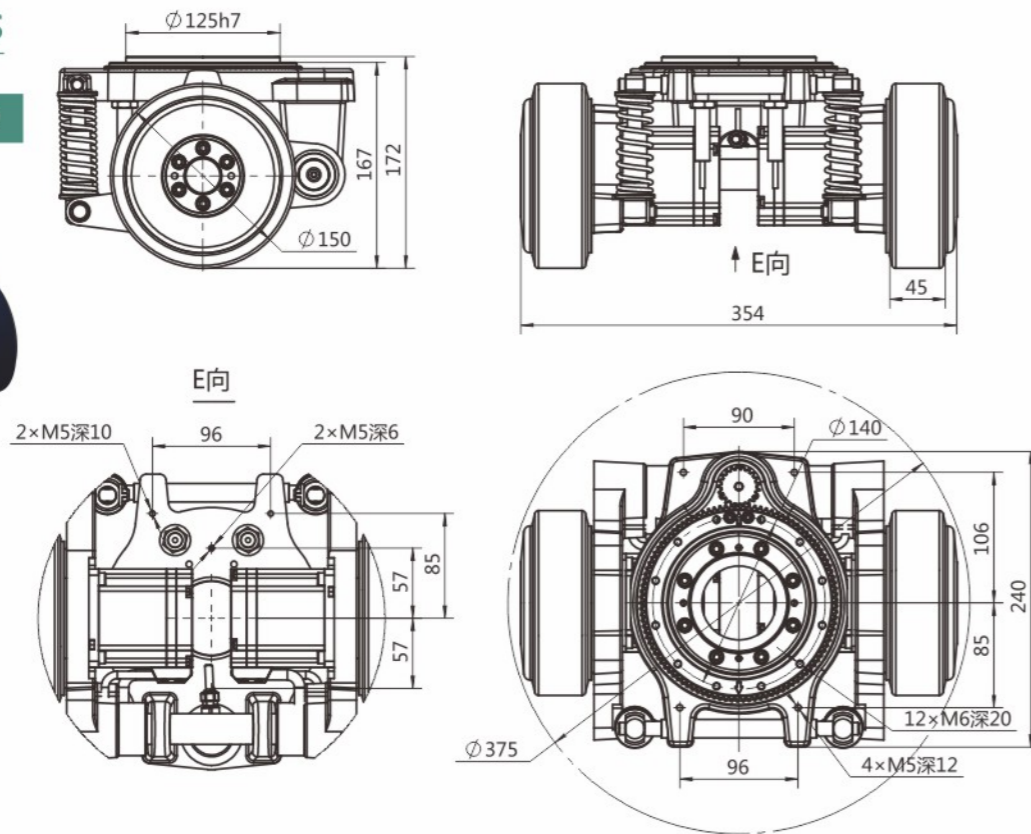
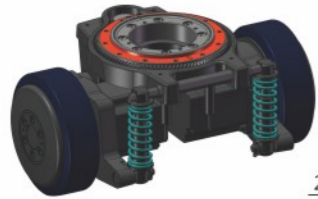
转向参数
Steering parameter

转向角度 Steering Angle	°	±140°
绝对值编码器 Absolute encoder	AHM36A-S3CK014×12	
原点传感器 Origin Sensor	IME12-02BNSZW2K	

CS Series

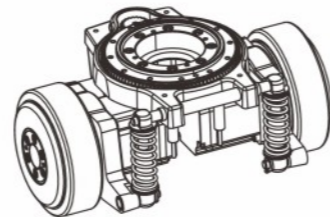
CS 125 Series

ZL-CS-125-150A-400



行走电机参数
Parameters of walking motor

电机类型 Motor type	DC	伺服电机 Servo motor				
电机额定功率 Rated power of motor	W	400				
电机额定电压 Rated voltage of motor	V	48				
电机额定转速 Rated speed of motor	rpm	3000				
电机电流 Motor current	A	11.95				
电机额定扭矩 Rated Torque of motor	N·m	1.27				
防护等级 Protection level	IP	54				
电机编码器类型 Motor encoder type		增量 Increment				
线长 Line length	m	1				
行走减速比 Walking reducer		16	20	28	35	50
行走速度 Walking speed		88.3	70.7	50.5	40.4	28.3
单轮额定扭矩 Rated Torque		96	96	96	105	105
牵引力 Traction		611	763	789	789	789
参考牵引重量 Reference Traction weight		917	1145	1500	1500	1500
聚氨酯承重 Polyurethane load-bearing	Kg	600				
聚氨酯硬度 Polyurethane hardness	A	90±5				
聚氨酯颜色 Polyurethane color		深蓝色 Dark Blue				

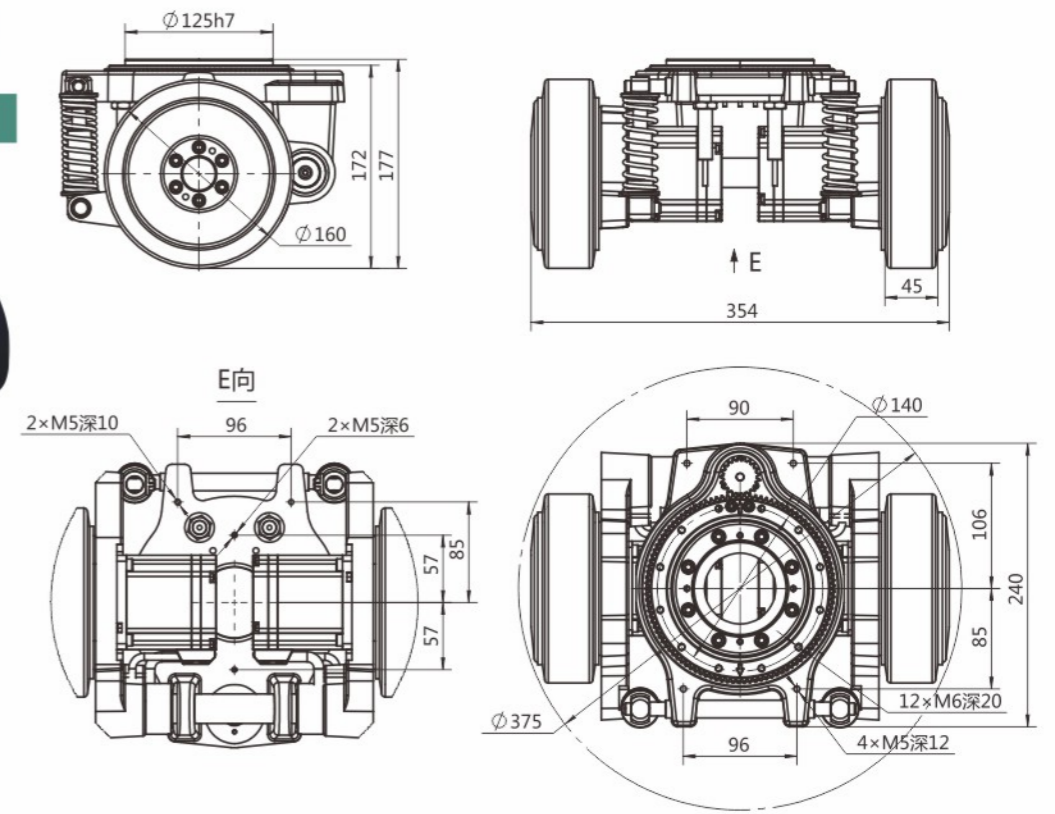
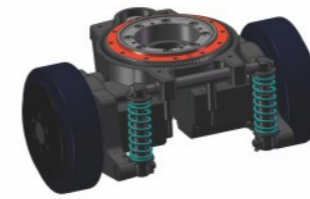


转向参数
Steering parameter

转向角度 Steering Angle	°	±140°
绝对值编码器 Absolute encoder		AHM36A-S3CK014×12
原点传感器 Origin Sensor		IME12-02BNSZW2K

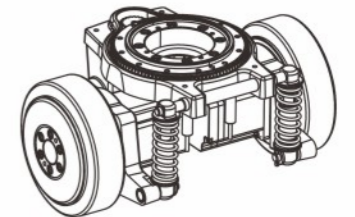
CS 125 Series

ZL-CS-125-160A-400



行走电机参数
Parameters of walking motor

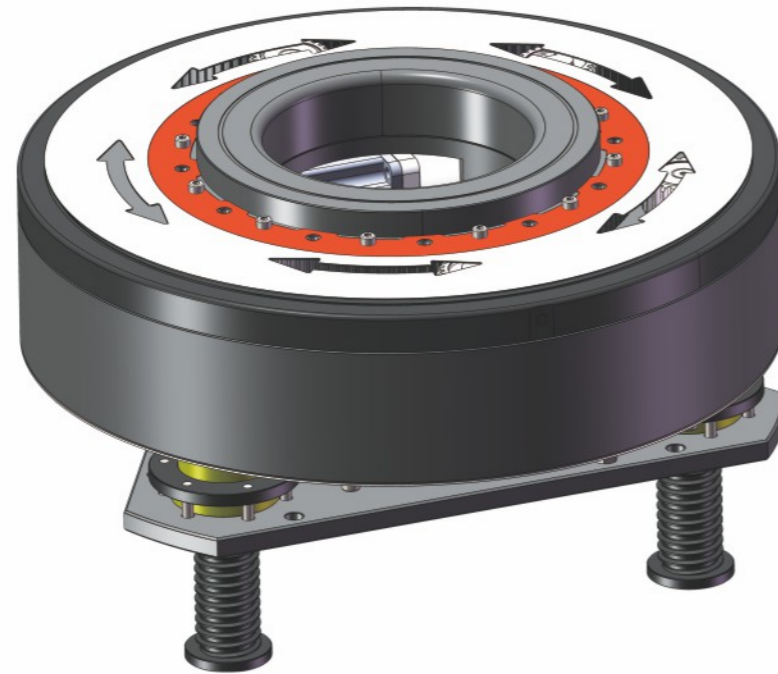
电机类型 Motor type	DC	伺服电机 Servo motor				
电机额定功率 Rated power of motor	W	400				
电机额定电压 Rated voltage of motor	V	48				
电机额定转速 Rated speed of motor	rpm	3000				
电机电流 Motor current	A	11.95				
电机额定扭矩 Rated Torque of motor	N·m	1.27				
防护等级 Protection level	IP	54				
电机编码器类型 Motor encoder type		增量 Increment				
线长 Line length	m	1				
行走减速比 Walking reducer		16	20	28	35	50
行走速度 Walking speed		94.2	75.4	53.8	43.1	30.1
单轮额定扭矩 Rated Torque		96	96	96	105	105
牵引力 Traction		573	716	789	789	789
参考牵引重量 Reference Traction weight		860	1074	1500	1500	1500
聚氨酯承重 Polyurethane load-bearing	Kg	700				
聚氨酯硬度 Polyurethane hardness	A	90±5				
聚氨酯颜色 Polyurethane color		深蓝色 Dark Blue				



转向参数
Steering parameter

转向角度 Steering Angle	°	±140°
绝对值编码器 Absolute encoder		AHM36A-S3CK014×12
原点传感器 Origin Sensor		IME12-02BNSZW2K

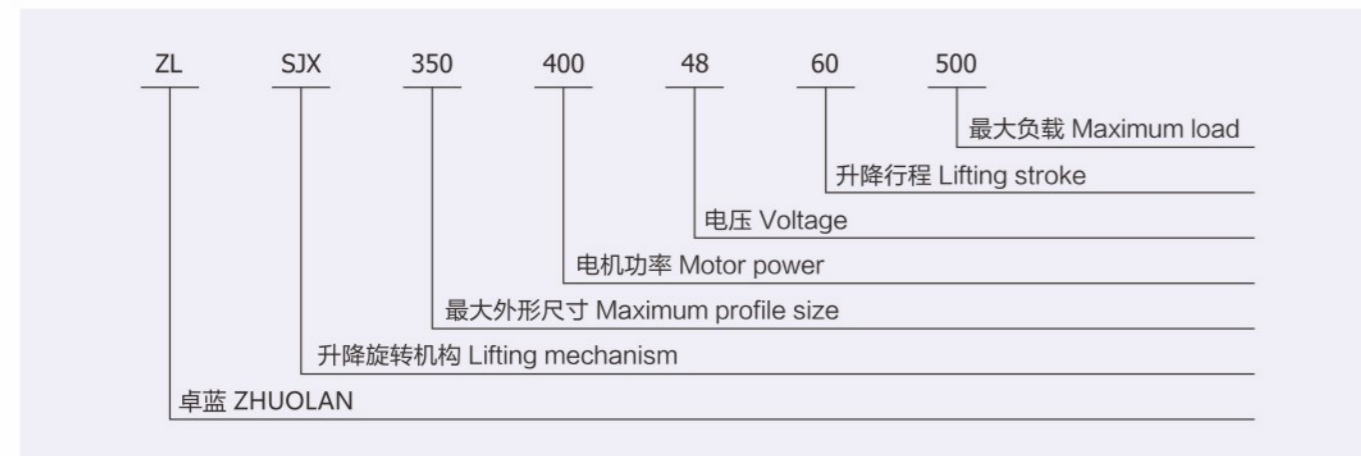
- ／ SJX 350
- ／ SJX 468
- ／ SJX 520



SJX Series

SJX系列型号说明

SJX series model description



SJX 350 Series

ZL-SJX-350-400-48-60-500



升降参数
Lift parameter

类型 Type	X	行星减速机 Planetary reducer
行程 Route	mm	60
丝杆规格 Screw rod specification	mm	T32×5
减速机速比 Speed ratio of reducer	i	40
传动齿比 Gear ratio	I	1
升降速度 Up and down speed	mm/s	6.25
升降时间 Up and down time	s	9.6
限位传感器 Limit Sensor	SICK	常开NPN-24V Regular opening NPN-24V

电机参数
Motor parameters

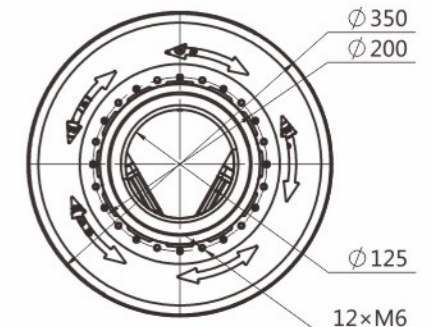
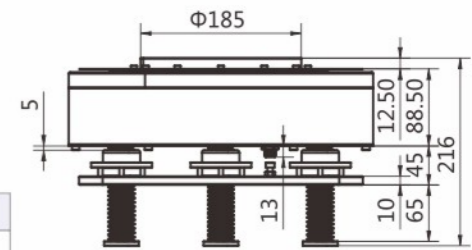
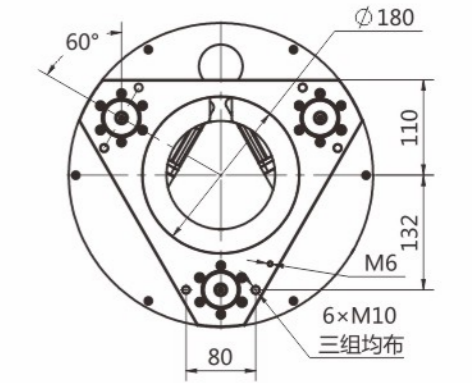
负载 Load	Kg	500
电机功率 Motor power	W	400
电机电压 Motor voltage	V	48
电机转速 Motor speed	Rpm	3000
电机电流 Motor current	A	11.95
额定扭矩 Rated Torque	N·m	1.27
防护等级 Protection level	IP	54

旋转参数
Rotation parameter

类型 Type	X	行星减速机 Planetary reducer
减速机速比 Speed ratio of reducer	i	40
传动齿比 Gear ratio	i	6.04
旋转位移 Rotation Displacement	90/转90/rpm	1.51
旋转90° Rotate 90°	s	1.21
旋转原点 Origin of rotation	SICK	常开NPN-24V Regular opening NPN-24V

其它
Others

减速机润滑 Reducer lubrication	润滑脂 Grease	-20° ~ 200°
自重 Self weight	Kg	约 26.5



SJX 468 Serices

ZL-SJX-468-600-48-50-1000



升降参数
Lift parameter

类型 Type	X	行星减速机 Planetary reducer
行程 Route	mm	50
丝杆规格 Screw rod specification	mm	T36×6
减速机速比 Speed ratio of reducer	i	40
传动齿比 Gear ratio	I	1
升降速度 Up and down speed	mm/s	7.5
升降时间 Up and down time	s	6.67
限位传感器 Limit Sensor	SICK	常开NPN-24V Regular opening NPN-24V

电机参数
Motor parameters

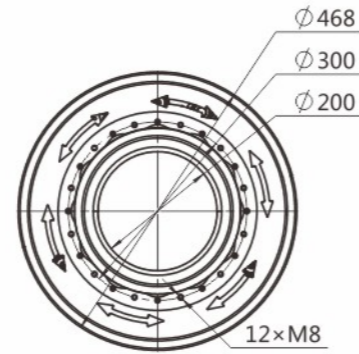
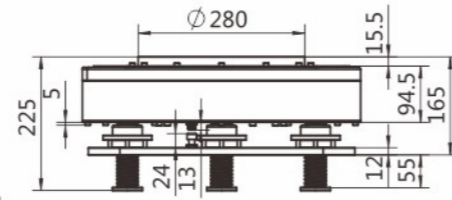
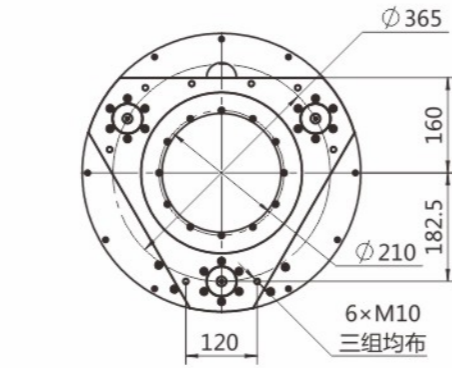
负载 Load	Kg	1000
电机功率 Motor power	W	600
电机电压 Motor voltage	V	48
电机转速 Motor speed	Rpm	3000
电机电流 Motor current	A	16.5
额定扭矩 Rated Torque	N-m	1.91
防护等级 Protection level	IP	65

旋转参数
Rotation parameter

类型 Type	X	行星减速机 Planetary reducer
减速机速比 Speed ratio of reducer	i	40
传动齿比 Gear ratio	i	8.89
旋转位移 Rotation Displacement	90/转90/rpm	2.22
旋转90° Rotate 90°	s	1.8
旋转原点 Origin of rotation	SICK	常开NPN-24V Regular opening NPN-24V

其它
Others

减速机润滑 Reducer lubrication	润滑脂 Grease	-20° ~ 200°
自重 Self weight	Kg	约 50.8



SJX 468 Serices

ZL-SJX-468-600-48-60-1000



升降参数
Lift parameter

类型 Type	X	行星减速机 Planetary reducer
行程 Route	mm	60
丝杆规格 Screw rod specification	mm	T36×6
减速机速比 Speed ratio of reducer	i	40
传动齿比 Gear ratio	I	1
升降速度 Up and down speed	mm/s	7.5
升降时间 Up and down time	s	6.67
限位传感器 Limit Sensor	SICK	常开NPN-24V Regular opening NPN-24V

电机参数
Motor parameters

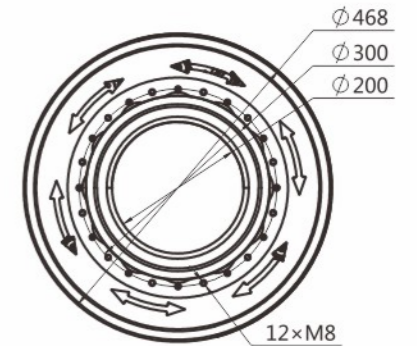
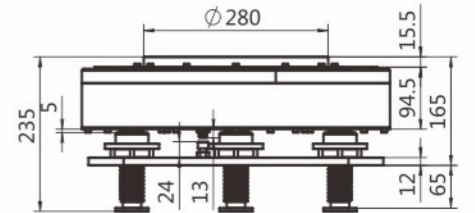
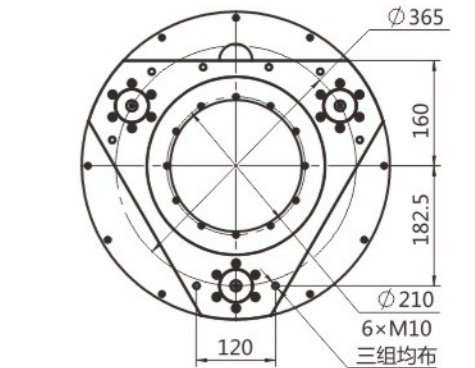
负载 Load	Kg	1000
电机功率 Motor power	W	600
电机电压 Motor voltage	V	48
电机转速 Motor speed	Rpm	3000
电机电流 Motor current	A	16.5
额定扭矩 Rated Torque	N-m	1.91
防护等级 Protection level	IP	65

旋转参数
Rotation parameter

类型 Type	X	行星减速机 Planetary reducer
减速机速比 Speed ratio of reducer	i	40
传动齿比 Gear ratio	i	8.89
旋转位移 Rotation Displacement	90/转90/rpm	2.22
旋转90° Rotate 90°	s	1.78
旋转原点 Origin of rotation	SICK	常开NPN-24V Regular opening NPN-24V

其它
Others

减速机润滑 Reducer lubrication	润滑脂 Grease	-20° ~ 200°
自重 Self weight	Kg	约 50.8



SJX 520 Series

ZL-SJX-520-750-48-50-1500



升降参数
Lift parameter

类型 Type	X	行星减速机 Planetary reducer
行程 Route	mm	50
丝杆规格 Screw rod specification	mm	T45×6
减速机速比 Speed ratio of reducer	i	30
传动齿比 Gear ratio	I	1.65
升降速度 Up and down speed	mm/s	10
升降时间 Up and down time	s	5
限位传感器 Limit Sensor	SICK	常开NPN-24V Regular opening NPN-24V

电机参数
Motor parameters

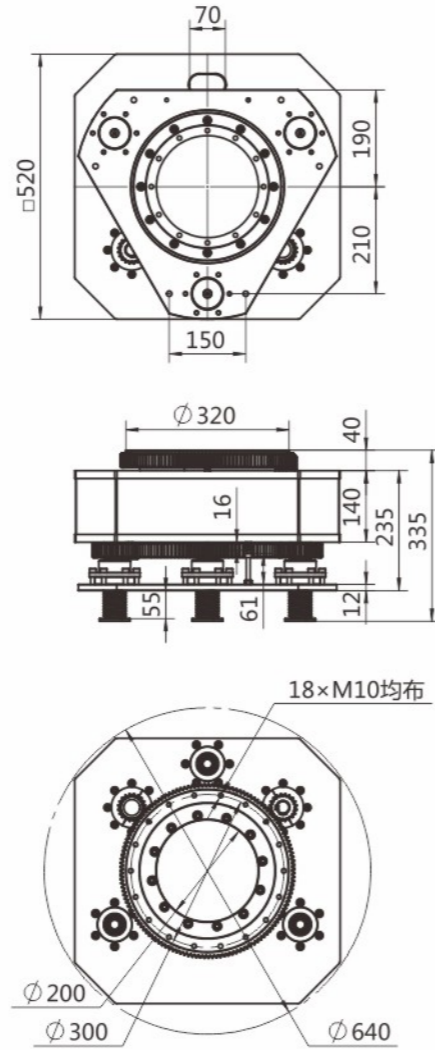
负载 Load	Kg	1500	2000
电机功率 Motor power	W	750	1200
电机电压 Motor voltage	V	48	48
电机转速 Motor speed	Rpm	3000	3000
电机电流 Motor current	A	19.9	32
额定扭矩 Rated Torque	N·m	2.39	4
防护等级 Protection level	IP	65	65

旋转参数
Rotation parameter

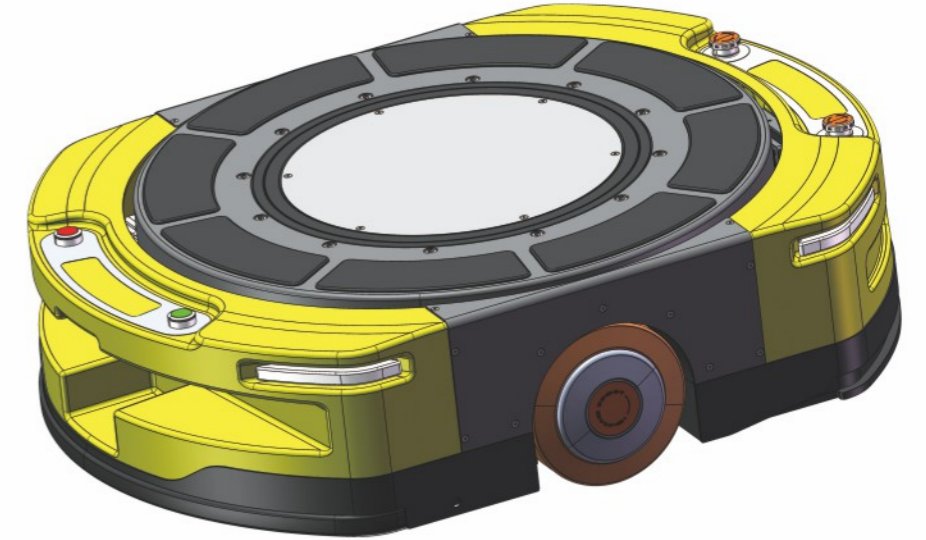
类型 Type	X	行星减速机 Planetary reducer
减速机速比 Speed ratio of reducer	i	30
传动齿比 Gear ratio	i	6.75
旋转位移 Rotation Displacement	90/转90/rpm	1.69
旋转90° Rotate 90°	s	1.01
旋转原点 Origin of rotation	SICK	常开NPN-24V Regular opening NPN-24V

其它
Others

减速机润滑 Reducer lubrication	润滑脂 Grease	-20° ~ 200°
自重 Self weight	Kg	约 88.8



AGV-CC

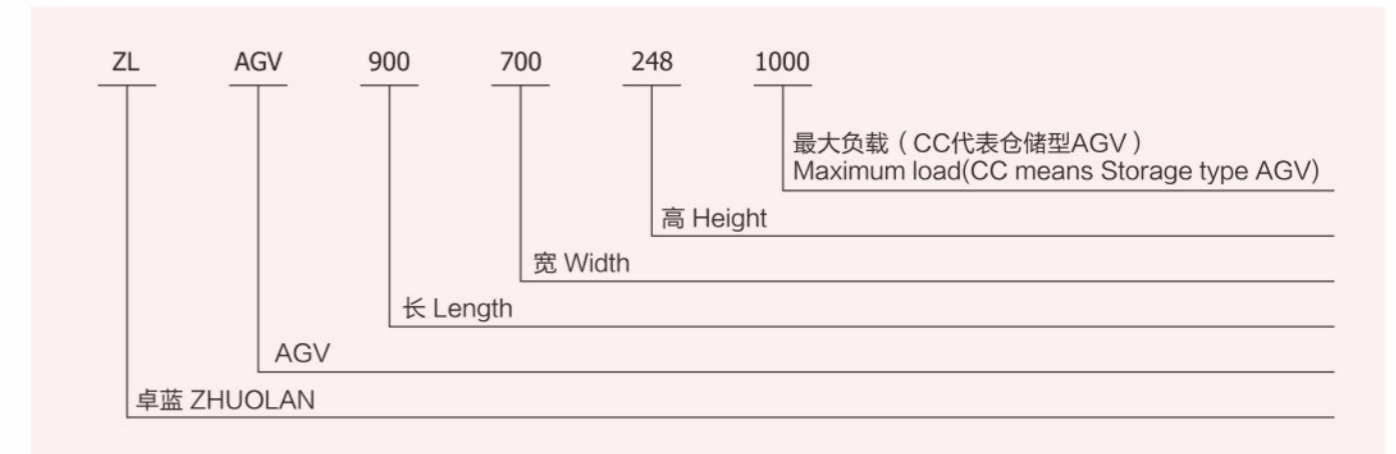


AGV-CC

Series

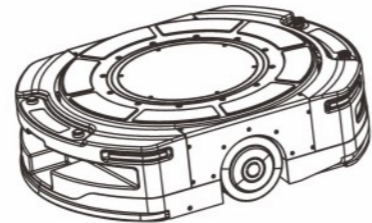
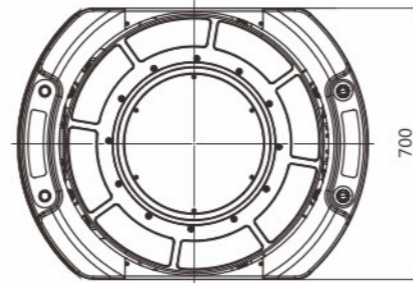
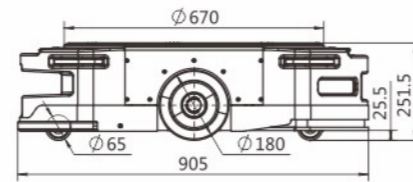
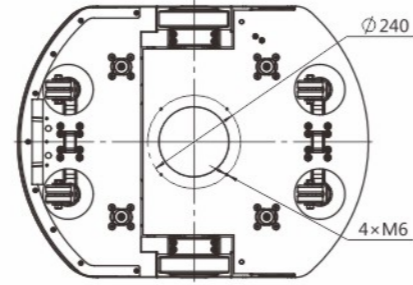
AGV系列型号说明

AGV series model description



AGV-CC Series

ZL-AGV-900-700-248-1000



牵引电机参数 Parameters of traction motor

负载 Load	Kg	500	1000
电机功率 Motor power	W	400	750
电机电压 Motor voltage	V	48	48
电机转速 Motor speed	Rpm	3000	3000
电机电流 Motor current	A	10.6	19.9
额定扭矩 Rated Torque	N·m	1.27	2.39
防护等级 Protection level	IP	65	65

牵引减速机参数 Parameters of traction reducer

类型 Type	X	行星减速机 Planetary reducer	
减速机速比 Speed ratio of reducer	i	16	
减速机扭矩 Reducer torque	N·m	105	
轮径 Wheel diameter	mm	180	
聚氨酯承重 Polyurethane load-bearing	Kg	800	
橡胶承重 Rubber bearing	Kg	750	
最大速度 Maximum velocity	M/min	106	
牵引力 Traction	N	214	404
牵引承重 Traction load	参考 Reference	536	1009

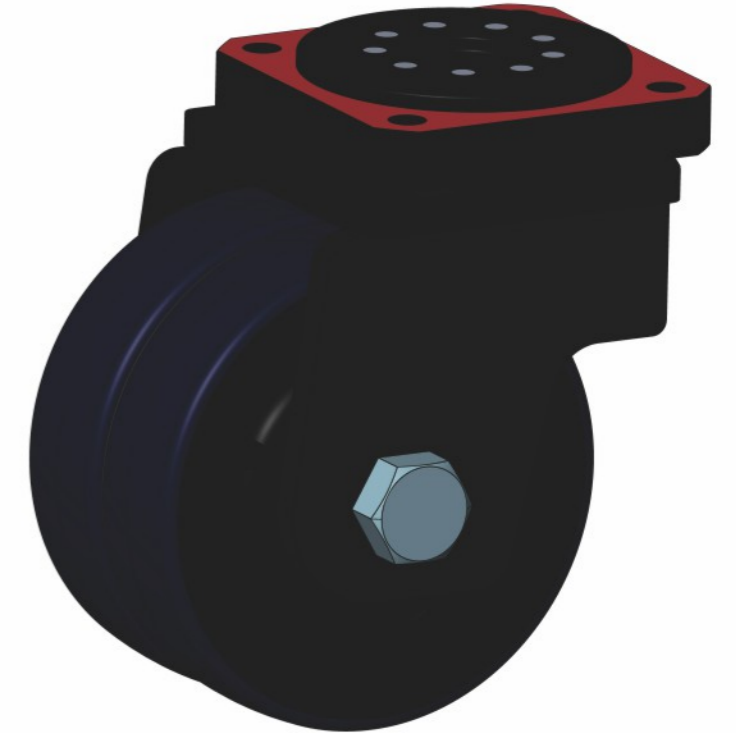
升降旋转电机参数 Parameters of up-and-down Rotary Motor

电机功率 Motor power	W	400	600
电机电压 Motor voltage	V	48	48
电机转速 Motor speed	Rpm	3000	3000
电机电流 Motor current	A	10.6	18
额定扭矩 Rated Torque	N·m	1.27	1.91
升降速比 Up-down ratio	I	1 : 40	
升降速度 Up and down speed	mm/s	7.5	
旋转速比 Rotational speed ratio	i	20+(234 : 18)	
旋转位移 Rotation Displacement	90°	60转 60rpm	
下限位 Lower bound	SICK	常开NPN-24V Regular opening NPN-24V	
旋转原点 Origin of rotation	SICK	常开NPN-24V Regular opening NPN-24V	

其它 Others

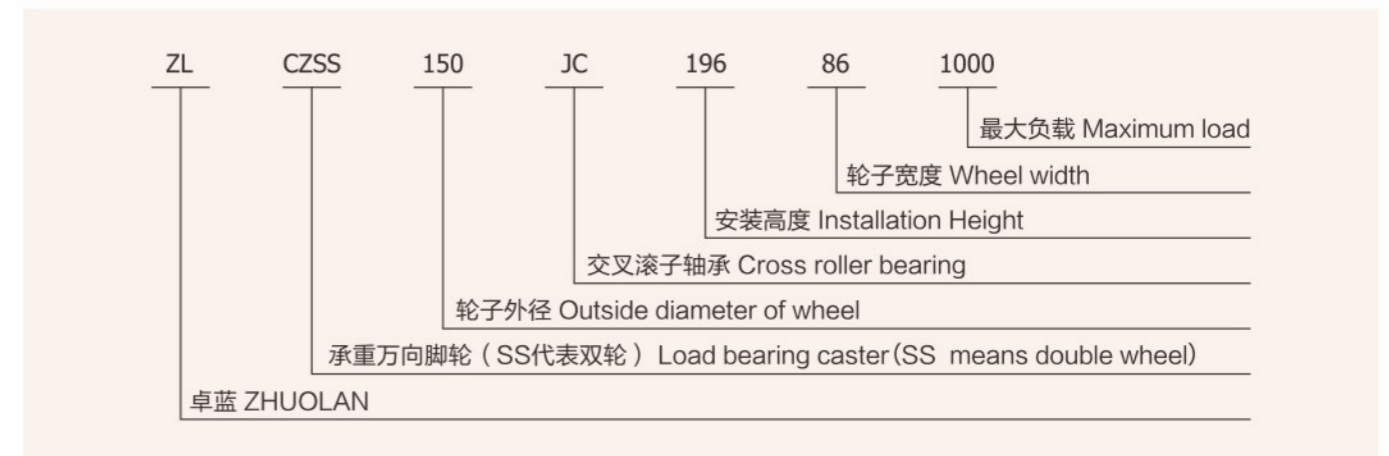
减速机润滑 Reducer lubrication	润滑脂 Grease	-20° ~ 200°
自重 Self weight	Kg	约 133.2

CZSS



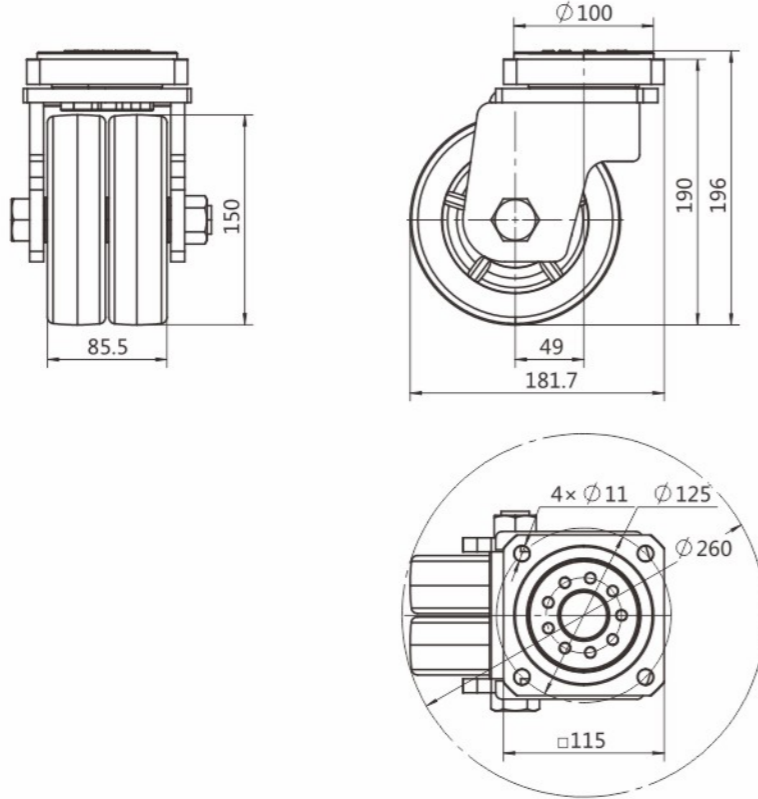
CZSS Series

CZSS系列型号说明 CZSS series model description

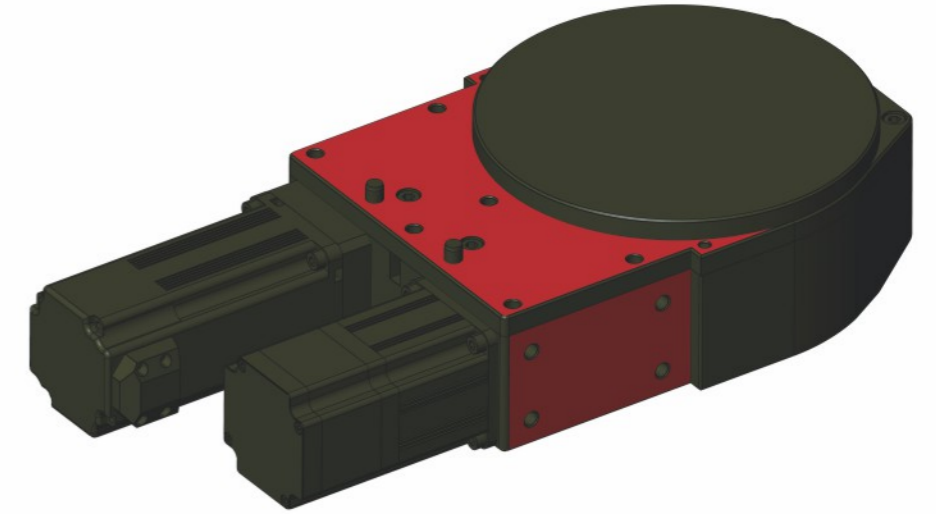


CZSS Series

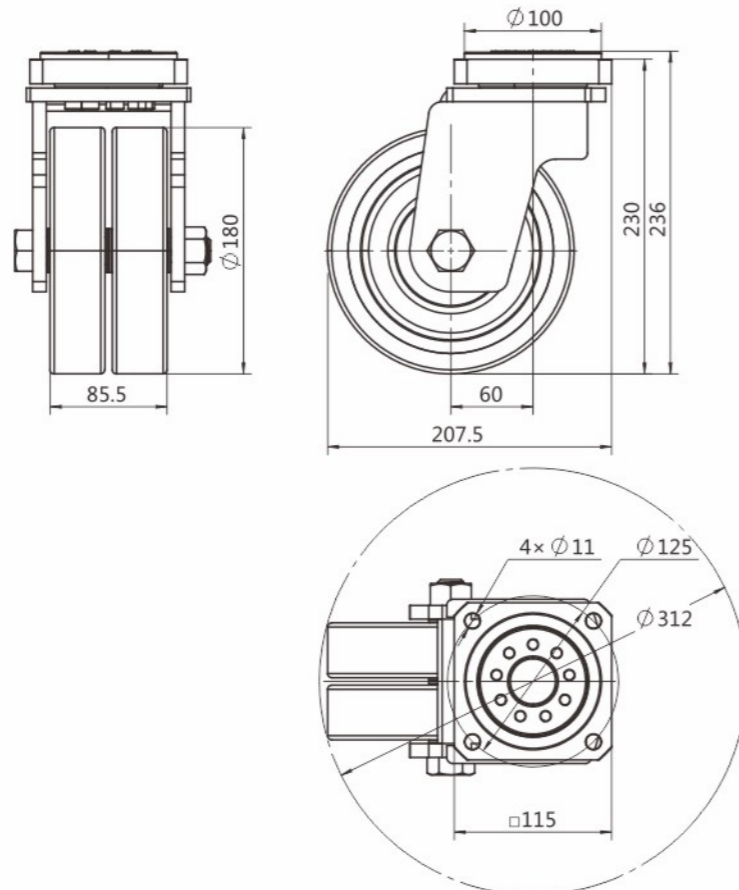
ZL-CZSS-150-JC-196-86-1000



QXC



ZL-CZSS-180-JC-230-86-1500

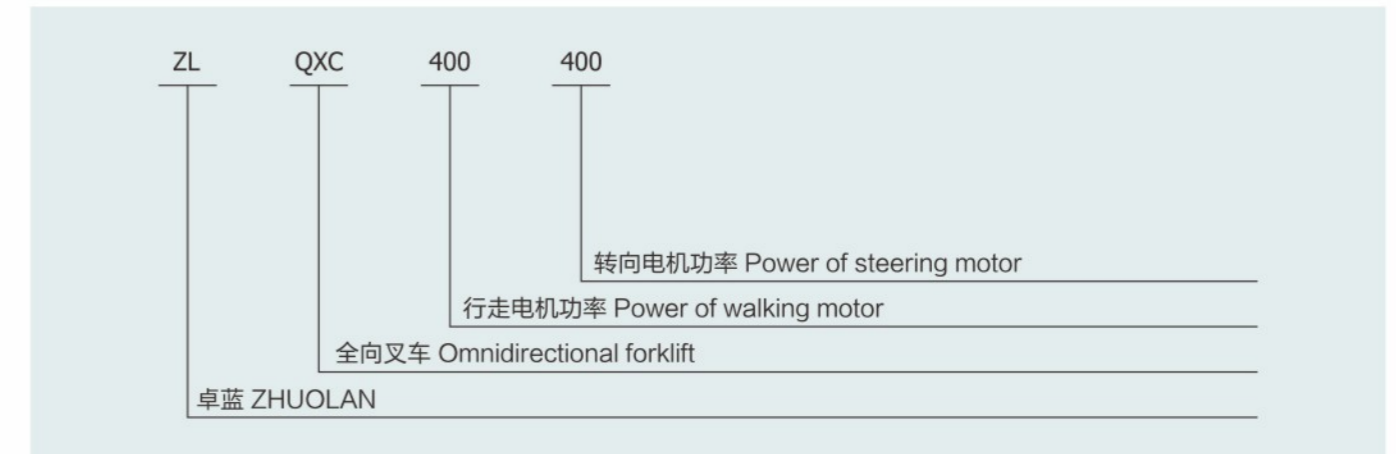


QXC

Series

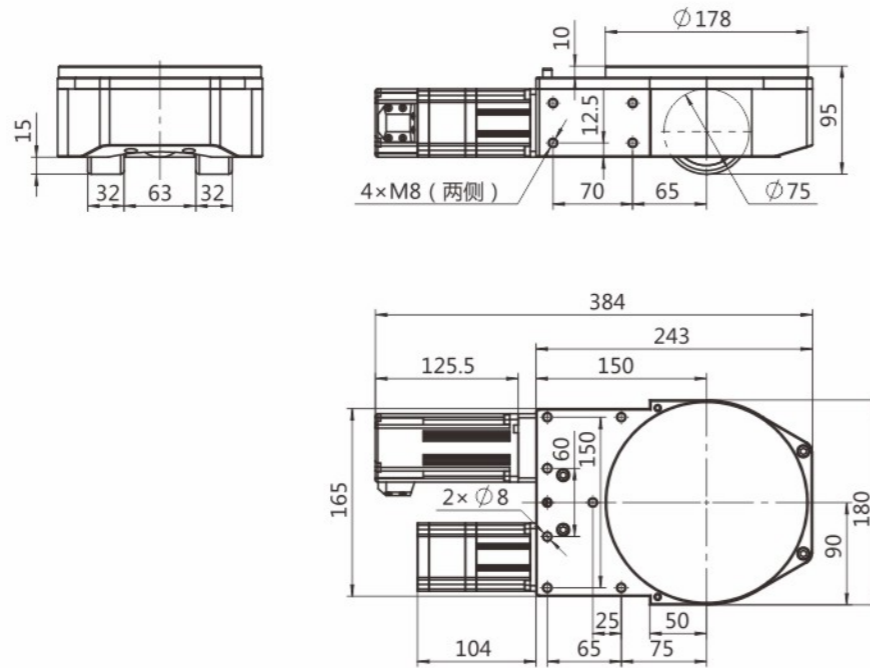
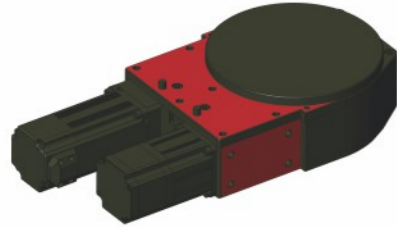
QXC系列型号说明

QXC series model description



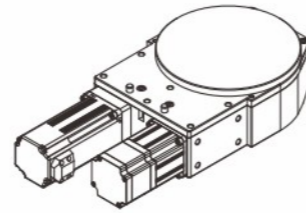
QXC Series

ZL-QXC-400-400



行走电机参数
Parameters of walking motor

电机类型 Motor type		伺服电机 Servo motor
电机额定功率 Rated power of motor	W	400
电机额定电压 Rated voltage of motor	V(DC)	48
电机额定电流 Rated current of motor	A	11.95
电机额定转速 Rated speed of motor	rpm	3000
电机额定扭矩 Rated Torque of motor	N-m	1.27
防护等级 Protection level	IP	54
电机编码器 Motor encoder		磁编 Magnetic coding
电机线长 Motor length	m	2
行走减速比 Walking reducer		7.5
行走速度 Walking speed	m/min	94.2
输出扭矩 Output Torque	N-m	8.5
牵引力 Traction	N	226
参考牵引重量 Reference Traction weight	Kg	400
聚氨酯承重 Polyurethane load-bearing	Kg	400
电机制动器电压 Motor brake voltage	V(DC)	24
制动器静扭矩 Static Torque of brake	N-m	≥1.5



转向电机参数
Steering Motor parameters

电机类型 Motor type		伺服电机 Servo motor
电机额定功率 Rated power of motor	W	400
电机额定电压 Rated voltage of motor	V(DC)	48
电机额定电流 Rated current of motor	A	12.5
电机额定转速 Rated speed of motor	rpm	3000
电机额定扭矩 Rated Torque of motor	N-m	1.27
防护等级 Protection level	IP	65
电机编码器 Motor encoder type		绝对值 Absolute value
电机线长 Motor length	m	2
总转向速比 Total steering ratio	i	75
转向角度 Steering Angle	°	360

