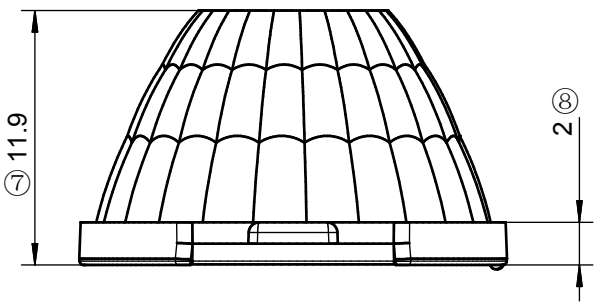
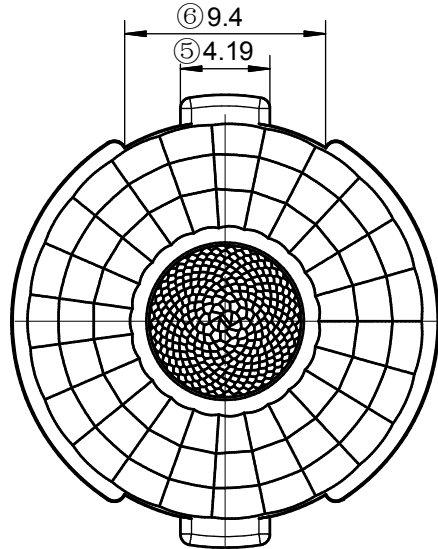
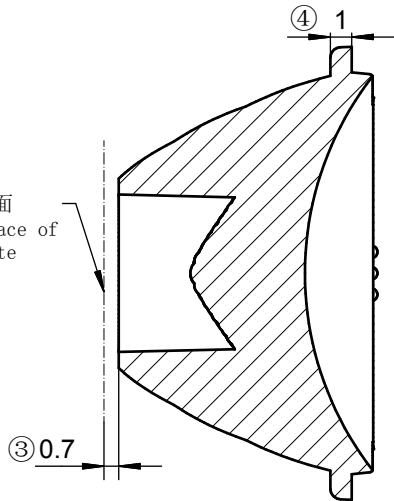


指定面为磨砂面  
Specify the surface as a frosted surface

A-A

LED基板上表面  
on the surface of LED substrate



箭头所指圆点为角度标识,  
1个圆点代表角度: 15度  
2个圆点代表角度: 24度  
3个圆点代表角度: 36度  
4个圆点代表角度: 50度  
The point pointed by the arrow is the Angle mark. One dot represents the Angle: 15 degrees  
Two dots represent angles: 24 degrees  
Three dots represent angles: 36 degrees  
The four dots represent angles: 50 degrees

技术要求:  
1、未注圆角及拔模斜度按3D图。  
2、未注尺寸公差按右表。  
3、表面无飞边, 缩水, 气泡等缺陷。  
\*4、灯具采用胶圈防水时: 要求散热器与胶圈的接触面的粗糙度: Ra<3.2μm

Technical remark:  
1. Fillet and inclination not indicated according to 3D drawing.  
2. Dimensional tolerances not indicated are shown in the right list.  
3. The surface has no flash, shrinkage, bubbles and other defects.  
\*4. When the lamp adopts rubber ring for waterproofing: the roughness of the contact surface between the radiator and the rubber ring is required: Ra<3.2μm

表 List	
基本尺寸范围	公差值
Basic size	Tolerance value
<3	±0.1
3~10	±0.15
10~24	±0.20
24~65	±0.35
65~140	±0.50
140~250	±0.80
250~450	±1.2
>450	±2.0

2					4				
1					3				
序号 Item	更改标记 Change mark	更改内容 Change content	更改日期 Change date	签名 Signature	序号 Item	更改标记 Change mark	更改内容 Change content	更改日期 Change date	签名 Signature
光学设计 Optical design					Title:		Drawing No.		
结构设计 Structural design					HK 20@12-36度透镜_GJ (D4)		HK-20@12-36-D4-22-1g-1_GJ		
审核 Verify					HK 20@12-36 degree lens_GJ(D4)		Part No. 1.01.44235-S		
审定 Approval					材料 Material:	硅胶 Silica gel	CDHK		