



HERCULUX
恒坤光电

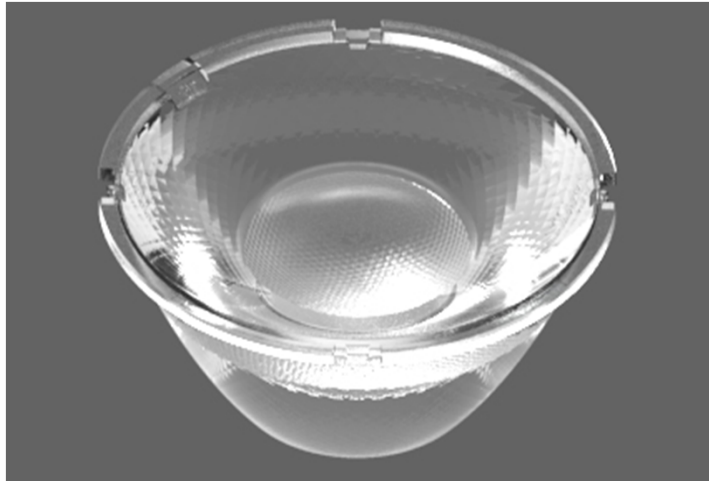
Chengdu HercuLux Photoelectric
Technology Co.,Ltd
Product Approval

Approval number :

Customer :

Manufacturer : Chengdu HercuLux Photoelectric Technology Co.,Ltd

PN	Code	Product
HK-69@30-15-D10-21-1g-1	1. 01. 91834	HK 69@30-15° lens
HK-69@30-24-D10-21-1g-1	1. 01. 91842	HK 69@30-24° lens
HK-69@30-36-D10-21-1g-1	1. 01. 91888	HK 69@30-36° lens
HK-69@30-60-D10-21-1g-1	1. 01. 02346	HK 69@30-60° lens



Supplier confirmation				Client confirmation			
Proposed		DATE		Qualified <input type="checkbox"/>		DATE	
Project manager		DATE		Unqualified <input type="checkbox"/>		DATE	
Audit		DATE		Audit		DATE	
Approved		DATE		Approved		DATE	
Stamp		DATE		Stamp		DATE	

(Confirmation of acceptance by both parties must be signed and sealed)

Factory: Chengdu Shuangliu District, Iot industrial park 2 road HercuLux Photoelectric Park

Phone : 028-85887727 (801) 028-85887990 (801)

Fax : 028-85887730

www.hkoptics.com

Sales Dept: Shenzhen Nanshan District Nanshan Cloud Valley Innovation Industrial Park Comprehensive Service Building,

TEL: 0755-2937 1541

FAX: 0755-2907 5140

*Approval In duplicate , for both supplier and customer.



HERCULUX
恒坤光电

Product Approval

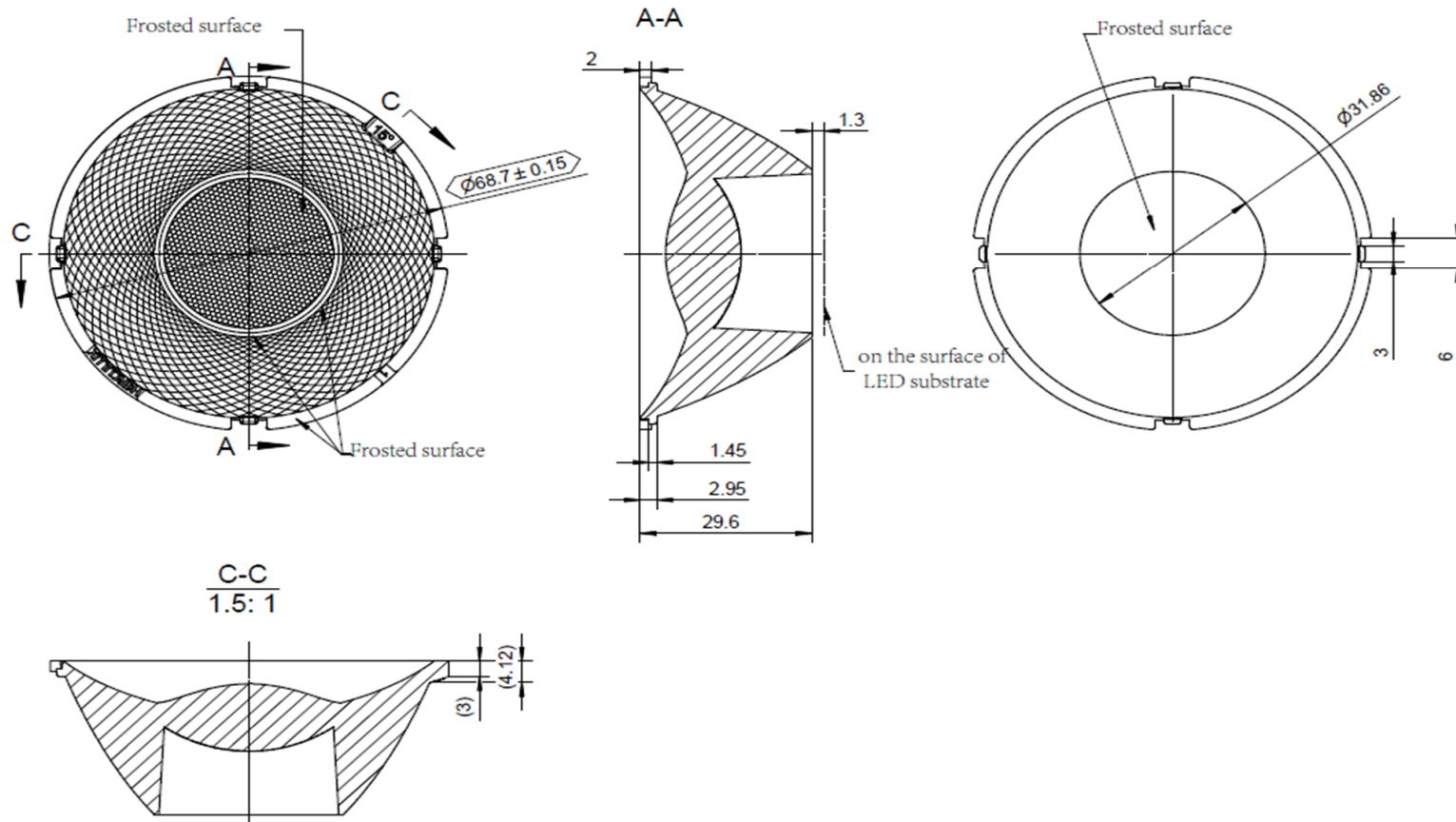
TEL: 0755-2937 1541

FAX: 0755-2907 5140

www.hkoptics.com

Date updated: 2021/4/17

Product Picture:	
PN:	HK-69@30-15-D10-21-1g-1
Size(L*W*H/Φ*H):	Φ:68.7mm; H:29.6mm
Material:	PMMA
Efficiency:	\
Temperature(Topr):	-40°C to +80°C
FWHM:	15°、24°、36°、60°
Matched LES:	D10

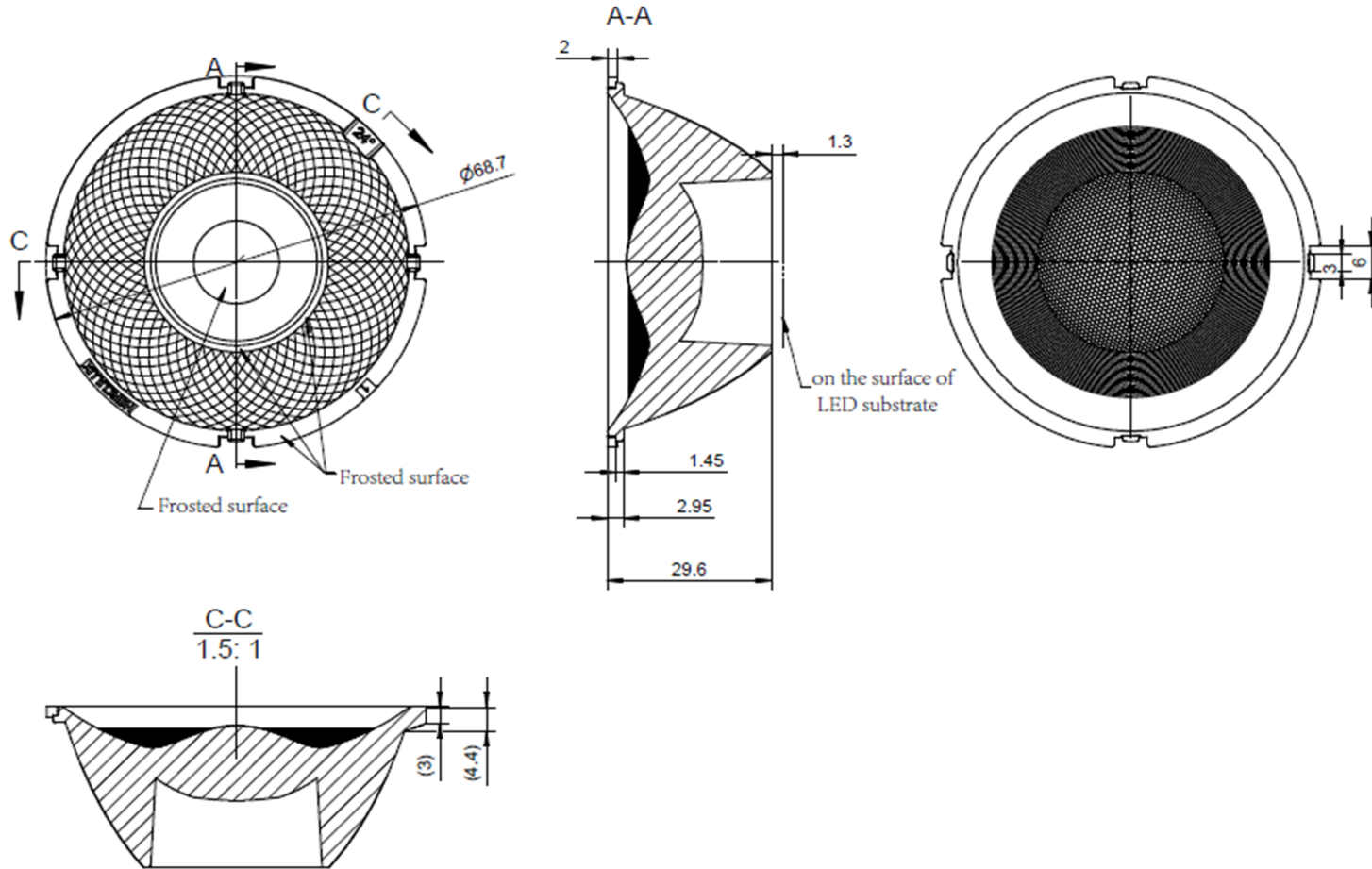


Technical remark:

1. The 3D map is not indicated for rounded corners and draft angle.
2. The dimensional tolerances are not specified according to GB/T 14486 2008 MT5.
3. The surface has no flash, shrinkage, bubbles and other defects.

Optical design			HK 69@30-15° lens		HK-69@30-15-D10-21-1g-1		
Structure design					1.01.91834		
Review			Material: PMMA		Number of drawing	qty	weight
Validation					CDHK		

MT5 Tolerance table (mm)	Basic size	<3	3~10	24~65	65~140	140~250	250~450	>450
	olerance value	±0.1	±0.15	±0.35	±0.50	±0.80	±1.2	±2.0

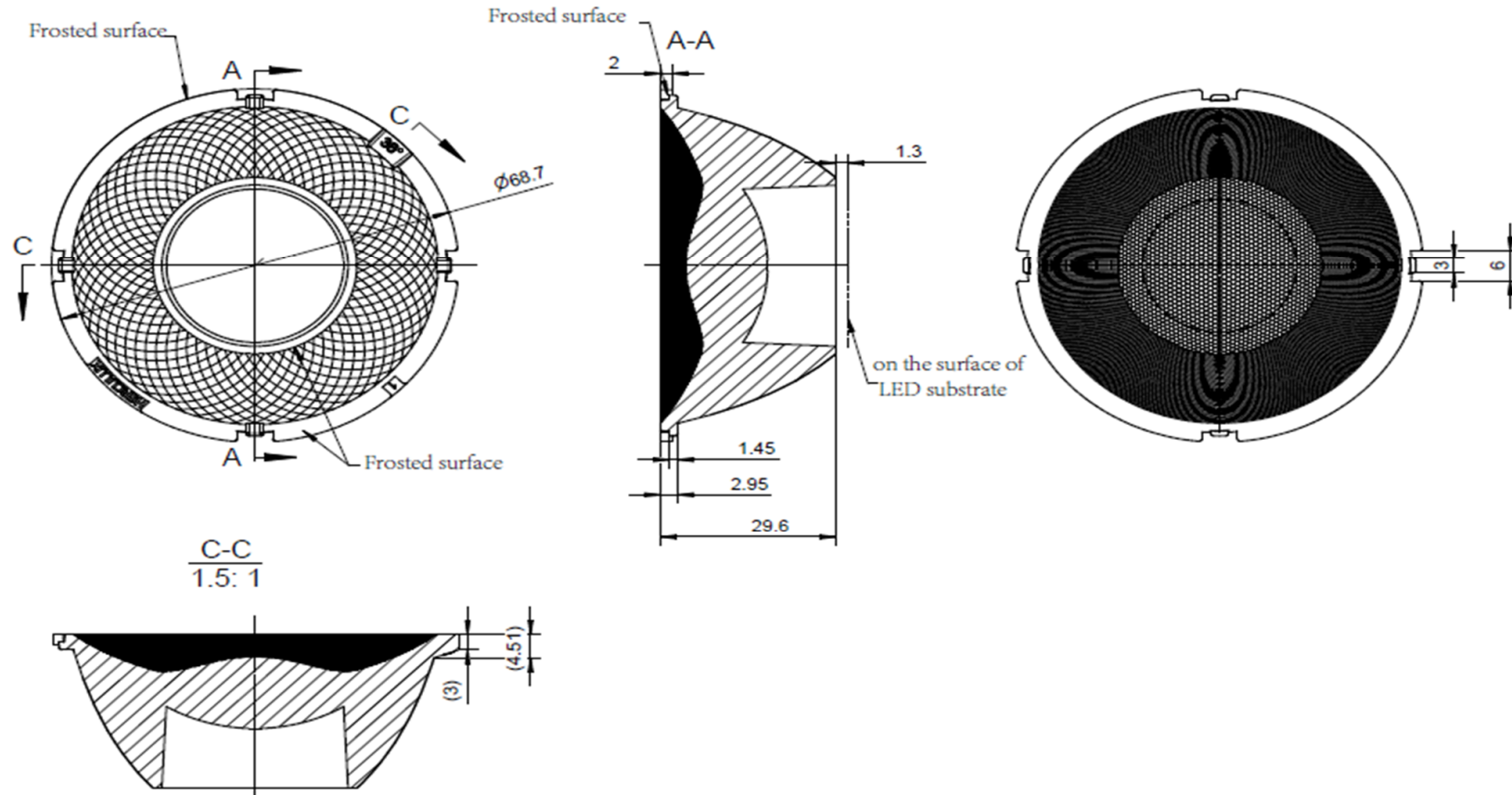


Technical remark:

1. The 3D map is not indicated for rounded corners and draft angle.
2. The dimensional tolerances are not specified according to GB/T 14486 2008 MT5.
3. The surface has no flash, shrinkage, bubbles and other defects.

Optical design			HK 69@30-24 ^g lens		HK-69@30-24-D10-21-1g-1		
Structure design					1.01.91842		
Review					number of drawing	qty	weight
Validation			Material:	PMMA	CDHK		

MT5 Tolerance table (mm)	Basic size	<3	3~10	24~65	65~140	140~250	250~450	>450
	olerance value		±0.1	±0.15	±0.35	±0.50	±0.80	±1.2

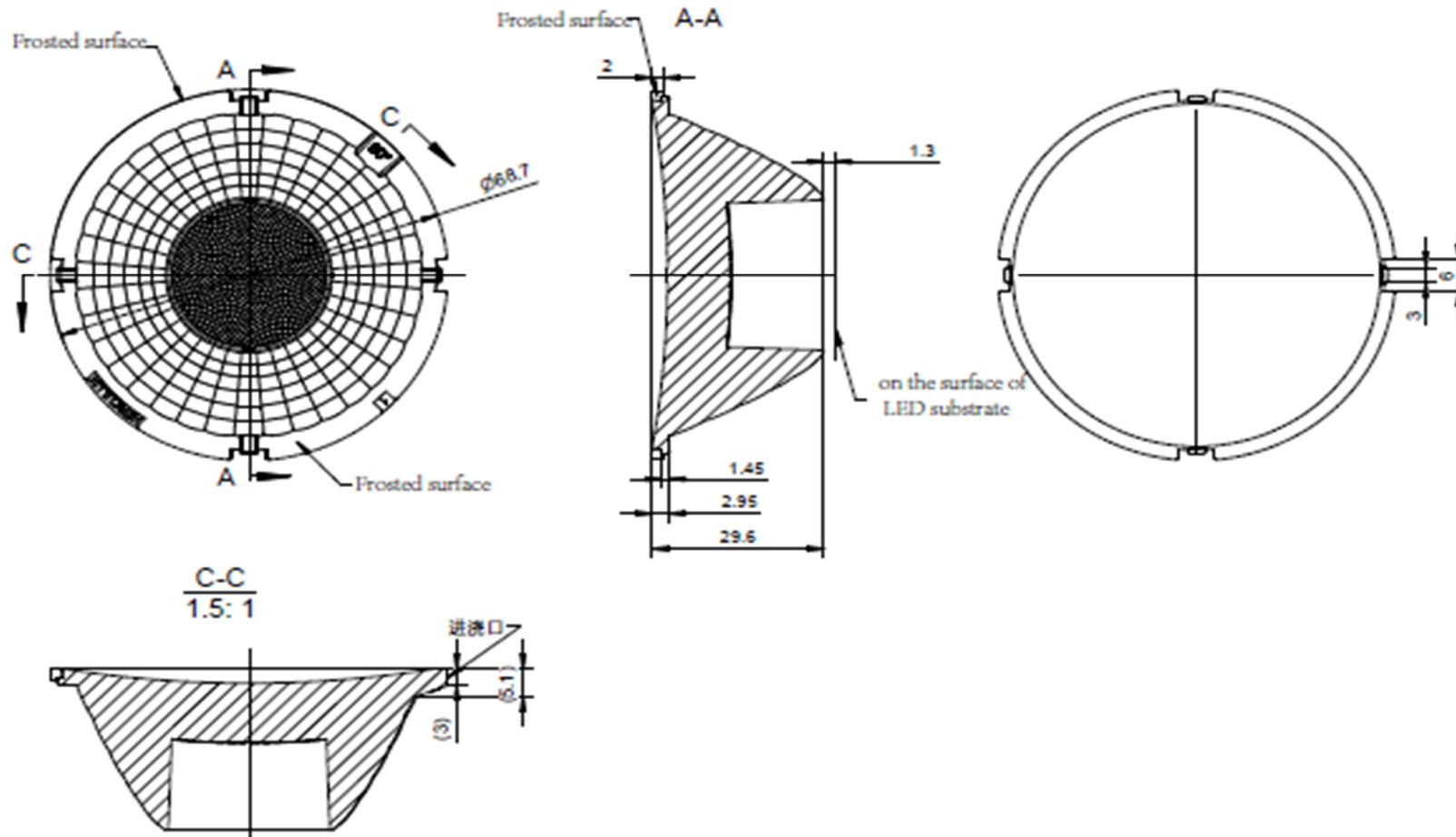


Technical remark:

1. The 3D map is not indicated for rounded corners and draft angle.
2. The dimensional tolerances are not specified according to GB/T 14486 2008 MT5.
3. The surface has no flash, shrinkage, bubbles and other defects.

Optical design			HK 69@30-36 ^o lens		HK-69@30-36-D10-21-1g-1		
structure design					1.01.91888		
Review					number of drawing	qty	weight
Validation			Material:	PMMA	CDHK		

MT5 Tolerance table (mm)	Basic size	<3	3~10	24~65	65~140	140~250	250~450	>450	
	olerance valu	±0.1	±0.15	±0.35	±0.50	±0.80	±1.2	±2.0	

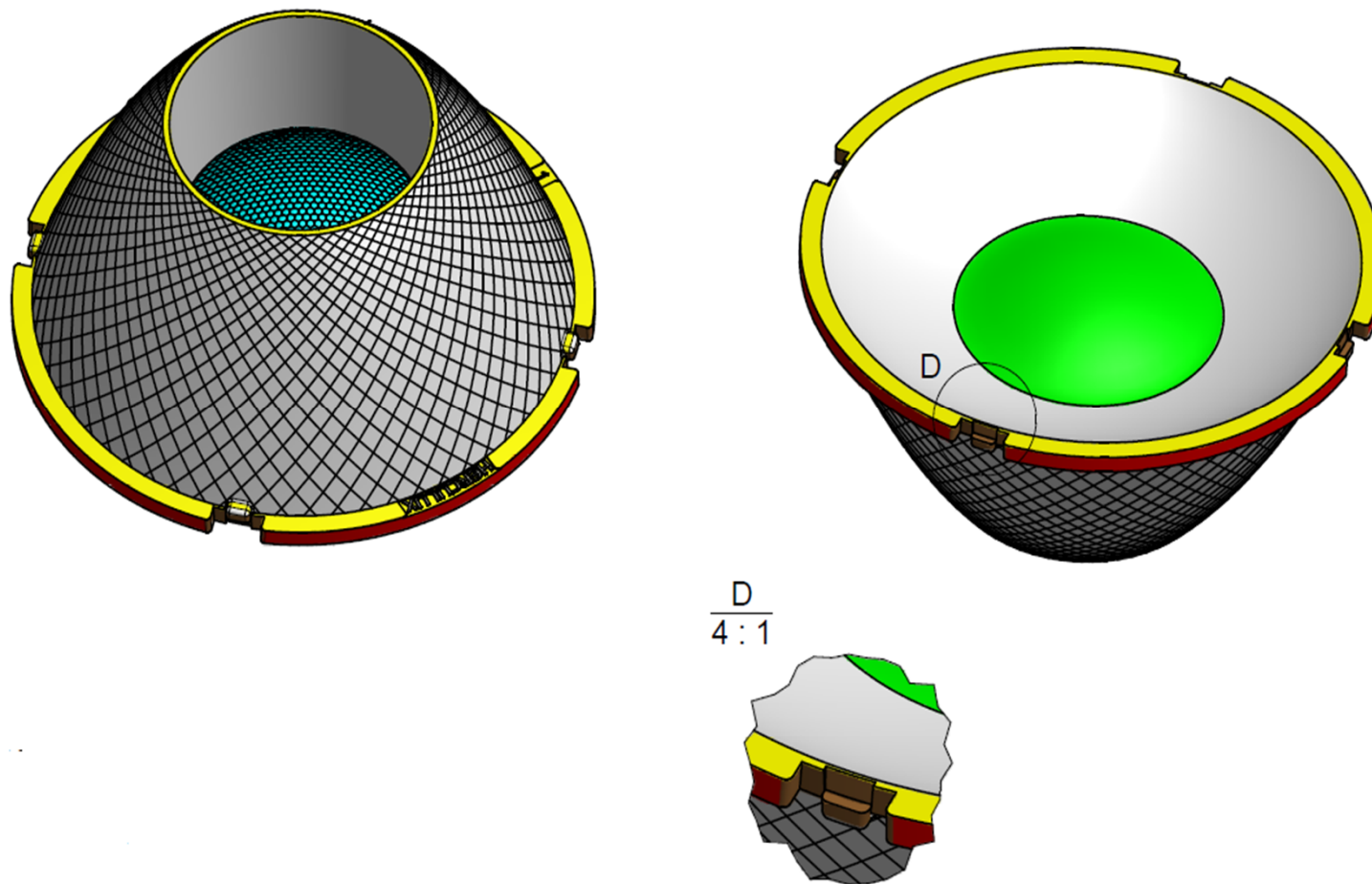


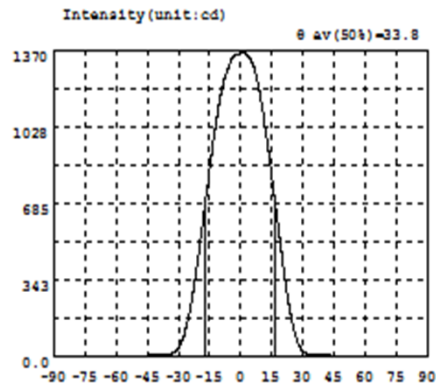
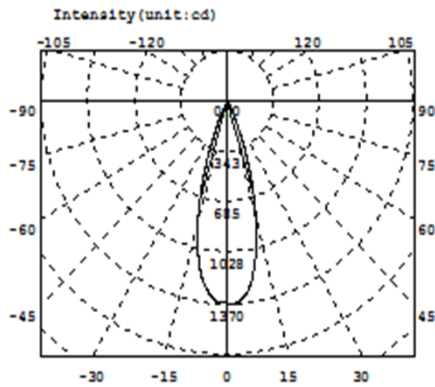
Technical remark:

1. The 3D map is not indicated for rounded corners and draft angle.
2. The dimensional tolerances are not specified according to GB/T 14486 2008 MT5.
3. The surface has no flash, shrinkage, bubbles and other defects.

Optical design			HK 69@30-60 ^g lens			HK-69@30-60-D10-21-1g-1		
Structure design			HK 69@30-60 ^g lens			1.01.02346		
Review						Number of drawing	qty	weight
Validation			Material: PMMA			CDHK		

MT5 Tolerance table (mm)	Basic size	<3	3~10	24~65	65~140	140~250	250~450	>450	
	olerance valu	±0.1	±0.15	±0.35	±0.50	±0.80	±1.2	±2.0	





Intensity data: (deg , cd) CO-180

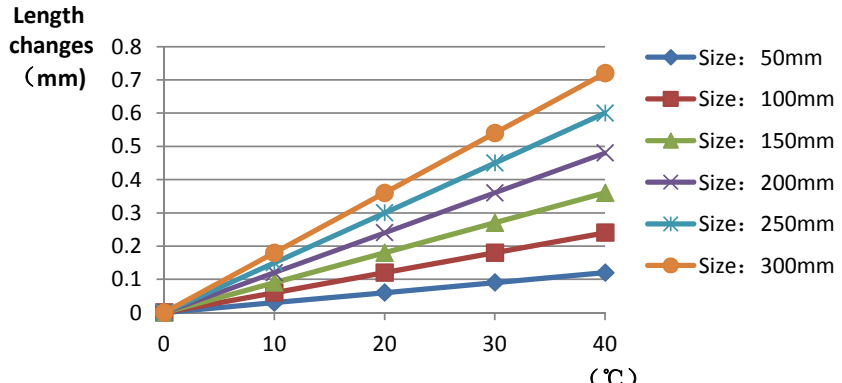
A	I	A	I	A	I	A	I	A	I	A	I
-90.0	0.4406	-58.5	6.478	-27.0	111.0	4.5	1331	36.0	11.18	67.5	4.496
-88.5	0.4643	-57.0	6.699	-25.5	167.2	6.0	1301	37.5	10.34	69.0	4.138
-87.0	0.5553	-55.5	6.919	-24.0	234.4	7.5	1252	39.0	9.699	70.5	3.726
-85.5	0.7020	-54.0	7.116	-22.5	318.6	9.0	1185	40.5	9.131	72.0	3.375
-84.0	0.8368	-52.5	7.342	-21.0	414.4	10.5	1101	42.0	8.737	73.5	3.007
-82.5	1.048	-51.0	7.527	-19.5	516.5	12.0	1007	43.5	8.470	75.0	2.636
-81.0	1.230	-49.5	7.728	-18.0	623.7	13.5	901.8	45.0	8.236	76.5	2.231
-79.5	1.551	-48.0	7.925	-16.5	734.5	15.0	796.6	46.5	7.991	78.0	1.846
-78.0	1.916	-46.5	8.163	-15.0	842.0	16.5	690.3	48.0	7.768	79.5	1.475
-76.5	2.306	-45.0	8.426	-13.5	945.9	18.0	579.0	49.5	7.463	81.0	1.120
-75.0	2.709	-43.5	8.713	-12.0	1041	19.5	474.0	51.0	7.298	82.5	0.8944
-73.5	3.135	-42.0	9.178	-10.5	1127	21.0	365.2	52.5	7.079	84.0	0.7460
-72.0	3.567	-40.5	9.676	-9.0	1199	22.5	266.1	54.0	6.889	85.5	0.6255
-70.5	4.014	-39.0	10.35	-7.5	1254	24.0	188.8	55.5	6.718	87.0	0.5699
-69.0	4.456	-37.5	11.12	-6.0	1294	25.5	124.1	57.0	6.544	88.5	0.5203
-67.5	4.844	-36.0	12.26	-4.5	1327	27.0	75.83	58.5	6.329	90.0	0.4090
-66.0	5.163	-34.5	14.14	-3.0	1347	28.5	44.11	60.0	6.322		
-64.5	5.474	-33.0	17.56	-1.5	1351	30.0	26.00	61.5	5.858		
-63.0	5.745	-31.5	25.40	0.0	1356	31.5	17.55	63.0	5.571		
-61.5	6.005	-30.0	41.18	1.5	1361	33.0	14.13	64.5	5.224		
-60.0	6.212	-28.5	68.38	3.0	1350	34.5	12.35	66.0	4.862		

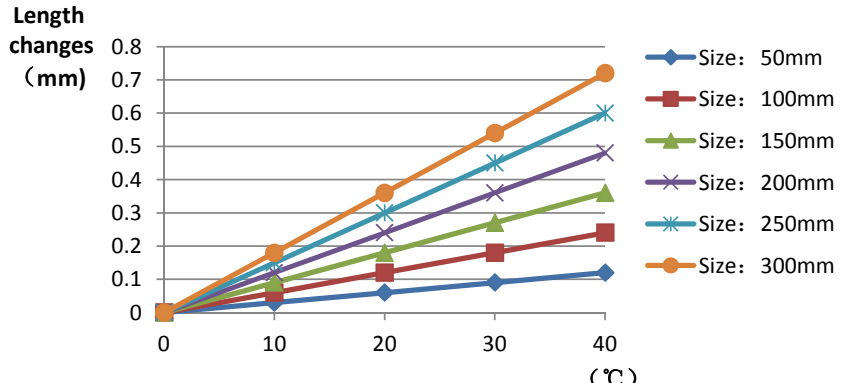
Electricity Parameter:

Current I: 0.1000A Power: 3.358W
Voltage V: 33.59V PF: 1.000

Optical Parameter (Distance=2.410m) :

Equivalent Luminous flux: ϕ_{eff} = 454.2lm Efficiency: $Eff=135.27lm/W$
Diffuse angle: @ (25%) : 43.4deg @ (50%) : 33.8deg @ (75%) : 24.0deg @ (50%) : 33.8deg
Diffuse angle: @ (25%) : 43.4deg @ (50%) : 33.8deg @ (75%) : 24.1deg @ (50%) : 33.8deg
 $I_{max}=1361cd$ (C=0.0deg, G=1.5deg) CO-180Plane $I_{max}= 1361cd$ (G=1.5deg)
CO-180Plane $I_0= 1356cd$

		Standard size	Upper Size limit	Lower size limit	Test result1	Test result2	Test result3	Test result4	Judgment	Remarks																																									
1.Size	diameter	68.7			68.72	68.81	68.81	68.84		Test environment: In 20 °C -25 °C environment to achieve thermal equilibrium after the test.																																									
	height	29.6			29.675	29.675	29.65	29.6																																											
	thickness	2.95			3	3	3	3.04																																											
	Gate shear can not affect the appearance of the lamp																																																		
See attachment "Appearance Inspection Standards"																																																			
2.Appearance Quality	See attachment "Appearance Inspection Standards"	E	No burr		No burr		No burr		OK																																										
			No stains		No stains		No stains		OK																																										
3.Material	PMMA				Color	Transparent			OK																																										
4.Optical index	Testing LED	D10																																																	
	The recommended size and power rating of the LED light source recommended for this lens should be comparable to the source of the test, if it is required to be out of range. According to the heat dissipation capability of the lamp and the actual conditions of the use environment, the lens should be fully tested and tested to prevent the lens life.																																																		
	FWHM	See light distribution curve																																																	
	angle		14	13.9	13.9	13.9																																													
	K-value		11.33	11.37	11.49	11.53																																													
	Efficiency		92.52%	91.48%	91.68%	91.06%																																													
Facula	See the signature sample																																																		
Comprehensive judgment	Qualified																																																		
Remarks:	<p>1、 Tool Number: V-Vernier Caliper 2D-Quadratic H-Height Gauge M-Tool Microscope P-Needle T-Thick Gauge R-Radius Gauge E-Visual.</p> <p>2、 Ambient temperature on the size of the product refer to the table on the right</p>																																																		
	<p align="center">PMMA product size changes with temperature table</p>  <table border="1"> <caption>PMMA product size changes with temperature table</caption> <thead> <tr> <th>Temperature (°C)</th> <th>50mm</th> <th>100mm</th> <th>150mm</th> <th>200mm</th> <th>250mm</th> <th>300mm</th> </tr> </thead> <tbody> <tr> <td>0</td> <td>0.00</td> <td>0.00</td> <td>0.00</td> <td>0.00</td> <td>0.00</td> <td>0.00</td> </tr> <tr> <td>10</td> <td>0.05</td> <td>0.08</td> <td>0.12</td> <td>0.15</td> <td>0.18</td> <td>0.22</td> </tr> <tr> <td>20</td> <td>0.08</td> <td>0.12</td> <td>0.18</td> <td>0.25</td> <td>0.32</td> <td>0.38</td> </tr> <tr> <td>30</td> <td>0.10</td> <td>0.15</td> <td>0.22</td> <td>0.30</td> <td>0.38</td> <td>0.45</td> </tr> <tr> <td>40</td> <td>0.12</td> <td>0.18</td> <td>0.28</td> <td>0.38</td> <td>0.48</td> <td>0.58</td> </tr> </tbody> </table>										Temperature (°C)	50mm	100mm	150mm	200mm	250mm	300mm	0	0.00	0.00	0.00	0.00	0.00	0.00	10	0.05	0.08	0.12	0.15	0.18	0.22	20	0.08	0.12	0.18	0.25	0.32	0.38	30	0.10	0.15	0.22	0.30	0.38	0.45	40	0.12	0.18	0.28	0.38	0.48
Temperature (°C)	50mm	100mm	150mm	200mm	250mm	300mm																																													
0	0.00	0.00	0.00	0.00	0.00	0.00																																													
10	0.05	0.08	0.12	0.15	0.18	0.22																																													
20	0.08	0.12	0.18	0.25	0.32	0.38																																													
30	0.10	0.15	0.22	0.30	0.38	0.45																																													
40	0.12	0.18	0.28	0.38	0.48	0.58																																													
Precautions:	<ol style="list-style-type: none"> 1、 Wear clean gloves during lens assembly to prevent contamination of the lens surface. 2、 Take the lens try to avoid touching the total reflection surface. 3、 When the lens surface contamination, you can only gently wipe with soft cotton sticky neat neutral solvent, not allowed to wipe with industrial solvents. 4、 The working temperature of the lens should be within the temperature limit of the lens material. Exceeding the temperature limit will cause damage to the lens and affect the service life of the lens. 																																																		

		Standard size	Upper Size limit	Lower size limit	Test result1	Test result2	Test result3	Test result4	Judgment	Remarks																																										
1.Size	diameter	68.7			69.92	68.85	69	68.84		Test environment: In 20 °C -25 °C environment to achieve thermal equilibrium after the test.																																										
	height	29.6			29.74	29.68	29.68	29.7																																												
	thickness	2.95			3.09	3.11	3.12	3.12																																												
	Gate shear can not affect the appearance of the lamp																																																			
See attachment "Appearance Inspection Standards"																																																				
2.Appearance Quality	See attachment "Appearance Inspection Standards"	E	No burr		No burr	No burr	No burr	No burr	OK																																											
			No stains		No stains	No stains	No stains	No stains																																												
3.Material	PMMA				Color	Transparent			OK																																											
4.Optical index	Testing LED	D10																																																		
	The recommended size and power rating of the LED light source recommended for this lens should be comparable to the source of the test, if it is required to be out of range. According to the heat dissipation capability of the lamp and the actual conditions of the use environment, the lens should be fully tested and tested to prevent the lens life.																																																			
	FWHM	See light distribution curve																																																		
	angle				22.2	22.3	22.2	24.5																																												
	K-value				6.09	6.19	6.14	5.33																																												
	Efficiency				93.27%	92.91%	91.64%	93.09%																																												
Facula	See the signature sample																																																			
Comprehensive judgment	Qualified																																																			
Remarks:	<p>1、 Tool Number: V-Vernier Caliper 2D-Quadratic H-Height Gauge M-Tool Microscope P-Needle T-Thick Gauge R-Radius Gauge E-Visual.</p> <p>2、 Ambient temperature on the size of the product refer to the table on the right</p>																																																			
	<p style="text-align: center;">PMMA product size changes with temperature table</p>  <table border="1"> <caption>PMMA product size changes with temperature table</caption> <thead> <tr> <th>Temperature (°C)</th> <th>Size: 50mm</th> <th>Size: 100mm</th> <th>Size: 150mm</th> <th>Size: 200mm</th> <th>Size: 250mm</th> <th>Size: 300mm</th> </tr> </thead> <tbody> <tr> <td>0</td> <td>0.00</td> <td>0.00</td> <td>0.00</td> <td>0.00</td> <td>0.00</td> <td>0.00</td> </tr> <tr> <td>10</td> <td>0.05</td> <td>0.08</td> <td>0.10</td> <td>0.12</td> <td>0.15</td> <td>0.18</td> </tr> <tr> <td>20</td> <td>0.08</td> <td>0.12</td> <td>0.15</td> <td>0.20</td> <td>0.25</td> <td>0.35</td> </tr> <tr> <td>30</td> <td>0.10</td> <td>0.15</td> <td>0.20</td> <td>0.28</td> <td>0.35</td> <td>0.50</td> </tr> <tr> <td>40</td> <td>0.12</td> <td>0.20</td> <td>0.28</td> <td>0.40</td> <td>0.50</td> <td>0.70</td> </tr> </tbody> </table>											Temperature (°C)	Size: 50mm	Size: 100mm	Size: 150mm	Size: 200mm	Size: 250mm	Size: 300mm	0	0.00	0.00	0.00	0.00	0.00	0.00	10	0.05	0.08	0.10	0.12	0.15	0.18	20	0.08	0.12	0.15	0.20	0.25	0.35	30	0.10	0.15	0.20	0.28	0.35	0.50	40	0.12	0.20	0.28	0.40	0.50
Temperature (°C)	Size: 50mm	Size: 100mm	Size: 150mm	Size: 200mm	Size: 250mm	Size: 300mm																																														
0	0.00	0.00	0.00	0.00	0.00	0.00																																														
10	0.05	0.08	0.10	0.12	0.15	0.18																																														
20	0.08	0.12	0.15	0.20	0.25	0.35																																														
30	0.10	0.15	0.20	0.28	0.35	0.50																																														
40	0.12	0.20	0.28	0.40	0.50	0.70																																														
Precautions:	<p>1、 Wear clean gloves during lens assembly to prevent contamination of the lens surface.</p> <p>2、 Take the lens try to avoid touching the total reflection surface.</p> <p>3、 When the lens surface contamination, you can only gently wipe with soft cotton sticky neat neutral solvent, not allowed to wipe with industrial solvents.</p> <p>4、 The working temperature of the lens should be within the temperature limit of the lens material. Exceeding the temperature limit will cause damage to the lens and affect the service life of the lens.</p>																																																			

		Standard size	Upper Size limit	Lower size limit	Test result1	Test result2	Test result3	Test result4	Judgment	Remarks
1.Size	diameter	68.7			68.96	68.9	68.9	68.95		Test environment: In 20 °C -25 °C environment to achieve thermal equilibrium after the test.
	height	29.6			29.61	29.55	29.63	29.59		
	thickness	2.95			3.07	2.99	2.95	3.09		
Gate shear can not affect the appearance of the lamp										
See attachment "Appearance Inspection Standards"										

2.Appearance Quality	See attachment "Appearance Inspection Standards"	E	No burr	No burr	No burr	No burr	OK
			No stains	No stains	No stains	No stains	

3.Material	PMMA	Color	Transparent	OK
------------	------	-------	-------------	----

4.Optical index	Testing LED	D10				
	The recommended size and power rating of the LED light source recommended for this lens should be comparable to the source of the test, if it is required to be out of range. According to the heat dissipation capability of the lamp and the actual conditions of the use environment, the lens should be fully tested and tested to prevent the lens life.					
	FWHM	See light distribution curve				
	angle		33.8	34.2	33.8	33.5
	K-value		2.99	2.9	2.94	3
	Efficiency		91.60%	90.67%	91.62%	90.59%
Facula	See the signature sample					

Comprehensive judgment	Qualified
------------------------	-----------

Remarks:

- Tool Number: V-Vernier Caliper 2D-Quadratic H-Height Gauge M-Tool Microscope P-Needle T-Thick Gauge R-Radius Gauge E-Visual.
- Ambient temperature on the size of the product refer to the table on the right

PMMA product size changes with temperature table

Temperature (°C)	50mm	100mm	150mm	200mm	250mm	300mm
0	0.00	0.00	0.00	0.00	0.00	0.00
10	0.05	0.08	0.10	0.12	0.15	0.18
20	0.08	0.12	0.15	0.18	0.22	0.28
30	0.10	0.15	0.20	0.25	0.30	0.38
40	0.12	0.18	0.25	0.32	0.38	0.48

- Precautions:
- Wear clean gloves during lens assembly to prevent contamination of the lens surface.
 - Take the lens try to avoid touching the total reflection surface.
 - When the lens surface contamination, you can only gently wipe with soft cotton sticky neat neutral solvent, not allowed to wipe with industrial solvents.
 - The working temperature of the lens should be within the temperature limit of the lens material. Exceeding the temperature limit will cause damage to the lens and affect the service life of the lens.

		Standard size	Upper Size limit	Lower size limit	Test result1	Test result2	Test result3	Test result4	Judgment	Remarks
1.Size	diameter	68.7			68.72	68.7	68.71	68.72		Test environment: In 20 °C -25 °C environment to achieve thermal equilibrium after the test.
	height	29.6			29.67	29.68	29.67	29.67		
	thickness	2.95			3.25	3.15	3.11	3.14		
Gate shear can not affect the appearance of the lamp										
See attachment "Appearance Inspection Standards"										

2.Appearance Quality	See attachment "Appearance Inspection Standards"	E	No burr	No burr	No burr	No burr	OK
			No stains	No stains	No stains	No stains	

3.Material	PMMA	Color	Transparent	OK
------------	------	-------	-------------	----

4.Optical index	Testing LED	D10				
	The recommended size and power rating of the LED light source recommended for this lens should be comparable to the source of the test, if it is required to be out of range. According to the heat dissipation capability of the lamp and the actual conditions of the use environment, the lens should be fully tested and tested to prevent the lens life.					
	FWHM	See light distribution curve				
	angle		55.7	53.6	57	54.9
	K-value					
	Efficiency		91.80%	90.90%	91.40%	90.90%
Facula	See the signature sample					

Comprehensive judgment	Qualified
------------------------	-----------

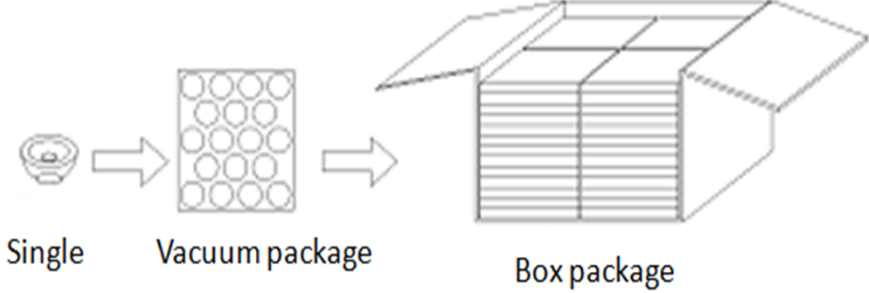
Remarks:

- Tool Number: V-Vernier Caliper 2D-Quadratic H-Height Gauge M-Tool Microscope P-Needle T-Thick Gauge R-Radius Gauge E-Visual.
- Ambient temperature on the size of the product refer to the table on the right

PMMA product size changes with temperature table

Temperature (°C)	50mm	100mm	150mm	200mm	250mm	300mm
0	0.00	0.00	0.00	0.00	0.00	0.00
10	0.02	0.04	0.06	0.08	0.10	0.12
20	0.04	0.08	0.12	0.16	0.20	0.24
30	0.06	0.12	0.18	0.24	0.30	0.36
40	0.08	0.16	0.24	0.32	0.40	0.48

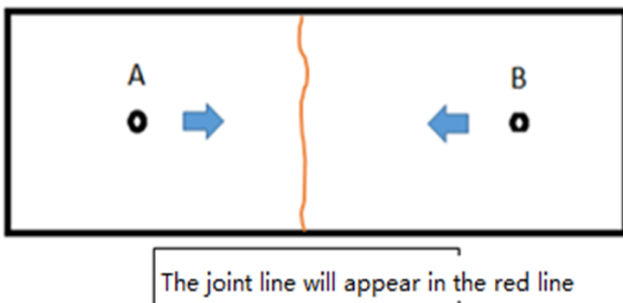
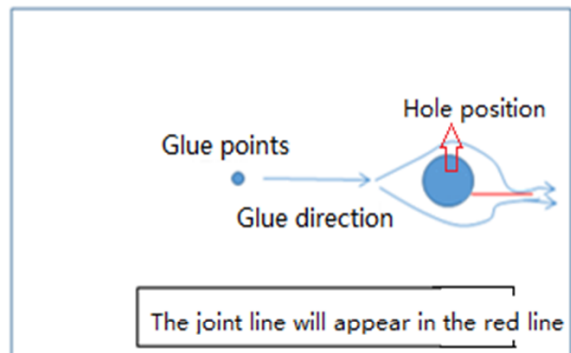
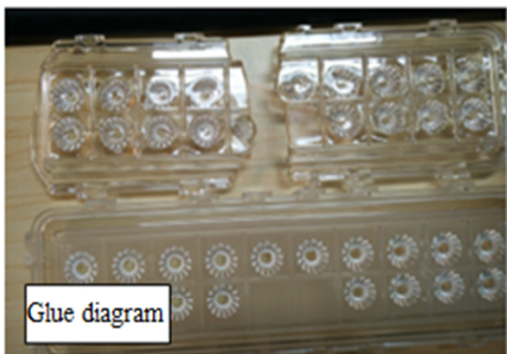
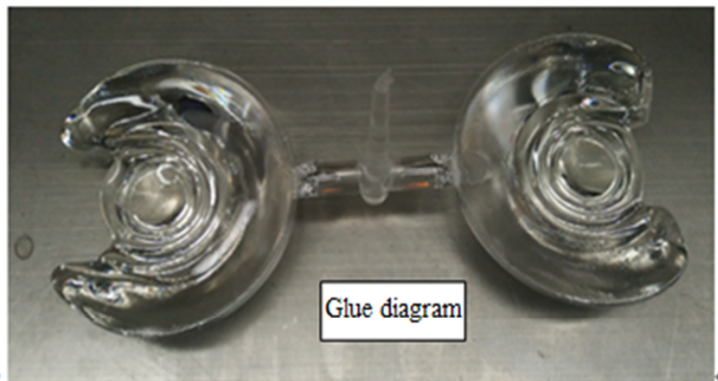
- Precautions:
- Wear clean gloves during lens assembly to prevent contamination of the lens surface.
 - Take the lens try to avoid touching the total reflection surface.
 - When the lens surface contamination, you can only gently wipe with soft cotton sticky neat neutral solvent, not allowed to wipe with industrial solvents.
 - The working temperature of the lens should be within the temperature limit of the lens material. Exceeding the temperature limit will cause damage to the lens and affect the service life of the lens.

PN		HK-69@30-15-D10-21-1g-1		Product Name		HK 69@30-15° lens	
Product material		PMMA		Customer			
Package diagram		 <p style="text-align: center;"> Single Vacuum package Box package </p>					
Product packing		6		A/ Box		4	
		9		Layer/Box		216	
Packaging Materials		NO.	Part No	Part name	Size	Dosage	Unit
		1	2.07.0068	Blister box	23cm*21cm	36	BAG
		2	2.08.0001	PE film	30cm*30cm	36	PCS
		3	2.06.0005	Reel label paper	6.2cm*8cm	36	PCS
		4	2.06.0005	Box label paper	6.2cm*9.2cm	1	PCS
		5	2.06.0003	big plate	46.8cm*42.8cm	10	PCS
		6	2.06.0015	big flat carton	48cm*44cm*19cm	1	PCS
Remarks		The loose packing is not subject to this specification. Customer's requirements shall prevail					

Special notice

When glue pass through holes, columns and other structures, or part of the thin structure, will form a weld line. The product which uses multi-point injection welding line will appear because of the combination of sol, as shown below:

Syntner



Please note :

The appearance of lines in the structure of the product as well as at the screw hole is a normal phenomenon, will not affect the actual use of the product, and can not be avoided at this stage.

Appearance inspection standards

1 Operating procedures

1.1.1 Sampling standards, sampling plan and AQL

Test level : GB/T2828.1-2012 The first part is according to the acceptance quality limit (AQL) retrieval batch inspection sampling plan, general inspection level II level, CR class defect coefficient 0, MA defect rejection level AQL = 0.65, MI class defect rejection level AQL = 1.0; defect level please see 5.4.

2 Code table

Code	Code description	Unit	Code		Code description	Unit
N	Amount/pcs	pcs	D		Diameter	mm
L	Length	mm	H		Depth	mm
W	Width	mm	DS		Distance	mm
S	Proportion	mm ²	SS		Offset	mm

3 Test conditions

3.1 Sight distance and working hours: Sight distance should be 30-35cm, each side of the inspection time does not exceed 12s, the visual angle of 45-135 degrees;

3.2 Light: 2x40w cool white fluorescent lamp, the light source is 500-550mm away from the lens surface; in order to make the appearance defect can be correctly recognized, the illumination should be 500-1000Lux, and the observation time is 10 seconds.

3.3 Visual inspection staff should be 1.0 (including corrected visual acuity) above, no color blindness, color weakness.

4 Appearance inspection standards

Test items	Judging standard	Inspection equipment	Defect level		
		Testing method	MI	MA	CR
Check the sample	When start the machine and process, all products have to check the appearance of the sample, the appearance of the sample is divided into qualified samples and limited samples.	Sample comparison , visual			
	1: Qualified sample refers to the appearance and structure standard of the product which recognized by the client, the sample size should be confirmed before mass production;				

	2: The limited sample refers to the limit of a particular exceptionally developed sample. Limit the sample only for its specific point of exception to confirm; The priority is higher than the other criteria in this table. When there is a limited sample, the limit sample shall prevail.				
Raw edge	Not allowed to affect the size and assembly	Visual, point card		√	
Scratch	1: Non-optical surface and non-exposed surface scratches should be visually insignificant and the length is less than 1/10 of the maximum surface size.	Visual, point card, calipers		√	
Fingerprint	Fingerprints are not allowed on all products	Visual		√	
Foreign objects, black spots, white spots	The product may not be attached to foreign objects, including oil, fiber, dregs of water gap and so on				√
Deformation	Insufficient filling shall not affect the appearance of the assembly and the exposed surfaces.	Visual, feeler			√
Poor ejection	Products may not appear bad ejection, including no convex top, thimble printed on the assembly surface shall not be higher than the product surface, non-assembled surface thimble height should not exceed the product size tolerances; thimble printing should be less than the product surface and no more than 0.3; thimble surface treatment should be consistent with the product side.	Visual, point card		√	
	Ejection strain: the optical surface and the appearance of the exposed surface after assembly are not allowed to have a strain, and the structural surface does not allow visual obvious strain.				
Insufficient filling	Insufficient filling shall not affect the appearance of the assembly and the exposed surfaces , The signature sample shall prevail.	Visual, point card		√	
Shrink	When the entire surface of the product shrinks, the optical properties and dimensions must meet the requirements, and the visual will not significantly affect the appearance.Part shrink reference point defects	Visual, point card		√	
Flow marks、Welding line	1 : Product does not allow the presence of flow marks and welding lines unless the structure can not be avoided;	Visual		√	
	2: The remaining flow marks shall not appear in the optical surface, a single L ≤ 10mm, no more than two				

Bubble	No bubbles are allowed	Visual		√	
Foreign objects, black spots, white spots	Not obvious or $D \leq 0.3\text{mm}$ black spots and foreign bodies in the area of 100x100mm not more than 1; Exceeded foreign matter black spots is judged bad.	Visual, point card	√		
Damaged	No damage is allowed	Visual			√
Cold glue	Optical surface may not have cold glue, non-optical surface cold glue should meet the visual is not obvious.	Visual	√		
Bad incision	1: Do not affect the product size, shall not penetrate the optical surface, the cut should be smooth;	Visual			√
	2: Laser cutting products, the optical surface burns shall not occur after the processing is completed. Beading must not affect product installation				
	3: Three molds and hot runner gate shall not appear residue.				
Scrub	Scrub surface should be uniform, off the scrub phenomenon should not be obvious , A single off scrub imprint requires $D \leq 1\text{ mm}$ and no more than 1 area within a 50x50 mm area	Visual		√	