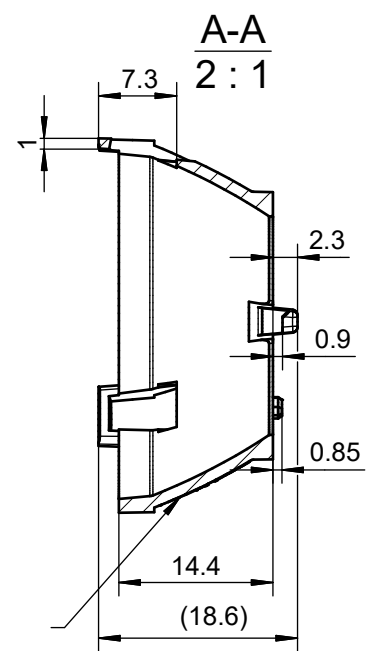
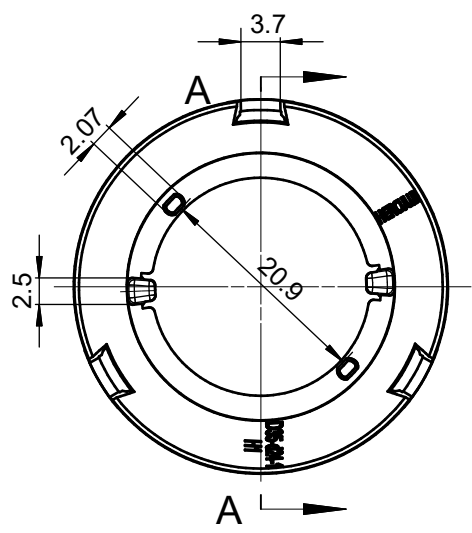


6 5 4 3 2 1

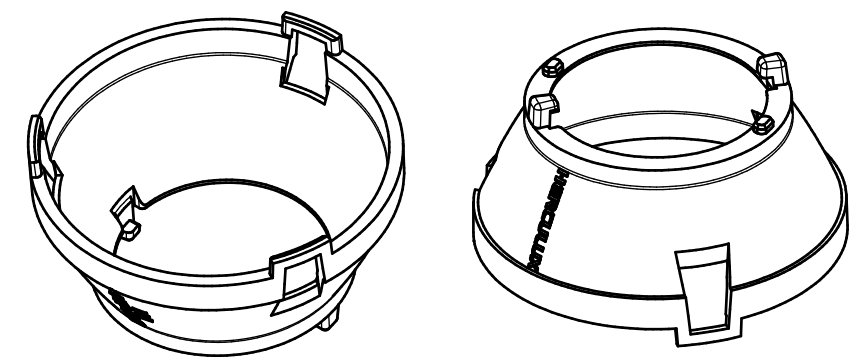
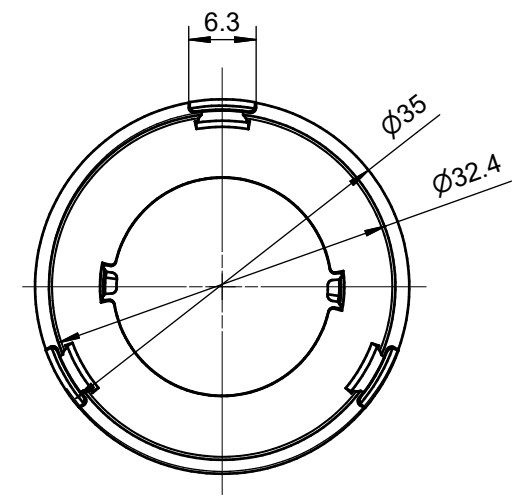
D

C

B



磨砂面
Frosted surface



技术要求:

- 1、未注圆角及拔模斜度按3D图。
- 2、未注尺寸公差按右表。
- 3、表面无飞边，缩水，气泡等缺陷。
- *4、灯具采用胶圈防水时：要求散热器与胶圈的接触面的粗糙度：Ra<3.2μm
- 5、特别说明：该支架不能与JC-12829\12950\12806的透镜组装，原因是：这些透镜光学口径偏大，会干涉。

Technical remark:

- 1.Fillet and inclination not indicated according to 3D drawing.
2. Dimensional tolerances not indicated are shown in the right list.
3. The surface has no flash, shrinkage, bubbles and other defects.
- *4. When the lamp adopts rubber ring for waterproofing: the roughness of the contact surface between the radiator and the rubber ring is required: Ra<3.2μm
5. Special note: this bracket cannot be assembled with the lens of JC-12829 12950 12806. The reason is that the optical aperture of these lenses is too large to interfere.

基本尺寸	公差值
Basic size	Tolerance value
<3	±0.1
3~10	±0.15
10~24	±0.20
24~65	±0.35
65~140	±0.50
140~250	±0.80
250~450	±1.2
>450	±2.0

2					4					
1					3					
序号 Item	更改标记 Change mark	更改内容 Change content	更改日期 Change date	签名 Signature	序号 Item	更改标记 Change mark	更改内容 Change content	更改日期 Change date	签名 Signature	
光学设计 Optical design					Title:		Drawing No.			
结构设计 Structural design					HK 黑光35@16透镜支架(D24) HK Dark 35@16 lens holder (D24)		HK-HG-35@19-0453-S			
审核 Verify							Part No.			
审定 Approval					材料 Material: PC 白色 (PC White)		1.07.02193			
							CDHK			

6 5 4 3 2 1

A

A