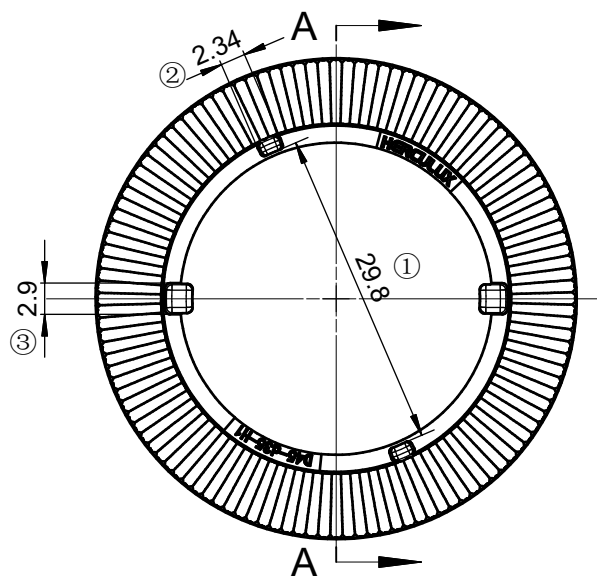


6 5 4 3 2 1

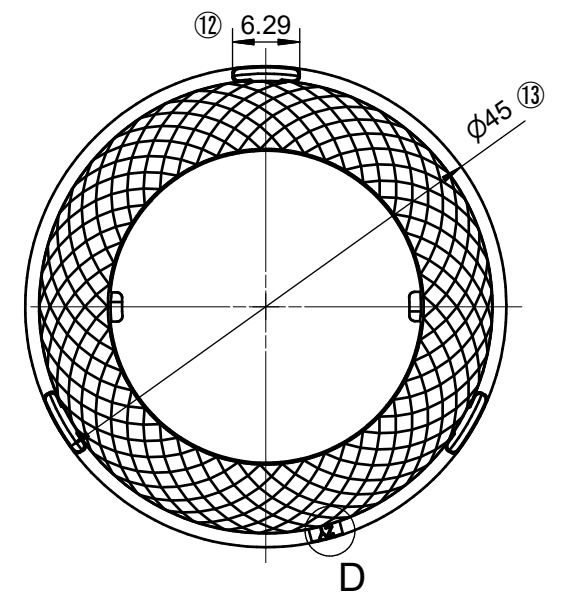
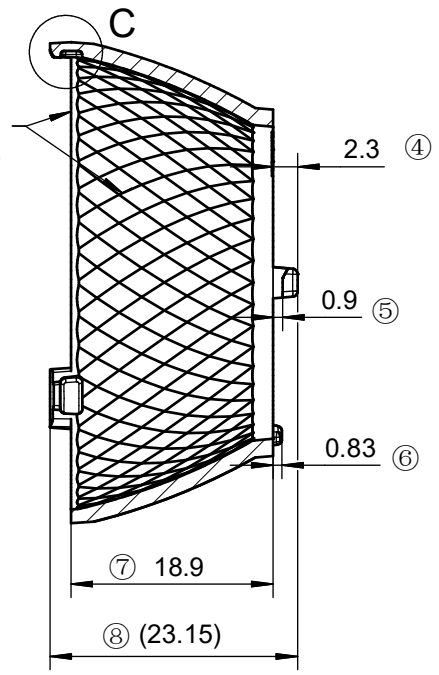
D

D

A-A
2:1

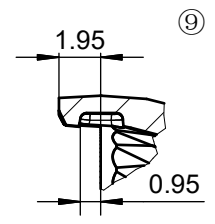


磨砂面
Frosted surface



C
4:1

D
4:1



基本尺寸	公差值
Basic size	Tolerance value
<3	±0.1
3~10	±0.15
10~24	±0.20
24~65	±0.35
65~140	±0.50
140~250	±0.80
250~450	±1.2
>450	±2.0

技术要求:

- 1、未注圆角及拔模斜度按3D图。
 - 2、未注尺寸公差按右表。
 - 3、表面无飞边，缩水，气泡等缺陷。
 - *4、灯具采用胶圈防水时：要求散热器与胶圈的接触面的粗糙度：Ra<3.2μm
 - 5、开发原因：配合逐影D45口径，该支架适用于麒麟平台D35的光源支架
- Technical remark:
- 1.Fillet and inclination not indicated according to 3D drawing.
 2. Dimensional tolerances not indicated are shown in the right list.
 3. The surface has no flash, shrinkage, bubbles and other defects.
 - *4. When the lamp adopts rubber ring for waterproofing: the roughness of the contact surface between the radiator and the rubber ring is required: Ra<3.2μm
 5. Development reason: In conjunction with the Zhuying D45 caliber, this bracket is suitable for the light source bracket of the Kirin platform D35

2					4				
1					3				
序号 Item	更改标记 Change mark	更改内容 Change content	更改日期 Change date	签名 Signature	序号 Item	更改标记 Change mark	更改内容 Change content	更改日期 Change date	签名 Signature
光学设计 Optical design					Title:		Drawing No.		
结构设计 Structural design					HK 逐影45@21透镜支架		HK-ZY-45@23-1233-O-H		
审核 Verify							Part No.		
审定 Approval					材料 Material:	PC 黑色(PC Black)	1.07.43997 H		
							CDHK		

A

A

6 5 4 3 2 1