



4-Wheel Electric Forklift Truck capacity 4,500 to 5,000kg

MAST SPECIFICATIONS & RATED CAPACITIES

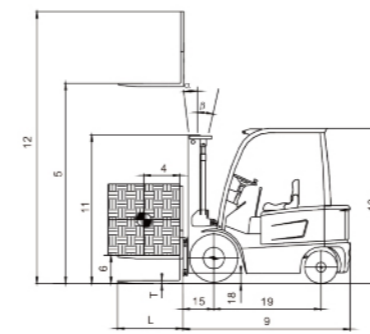
Mast Type	Mast Name	Max. Fork Height (mm)	Load Capacity (Load Centre 500mm) (kg)		Overall Height (mm)			Free Lift (mm)		Tilt Angle (F/R)	Total Weight (kg)	
			4.5t	5.0t	Lowered	Extended		Without Backrest	With Backrest		4.5t	5.0t
						4.5/5.0t	Without Backrest					
Wide View Mast	BM300	3000	4500	5000	2250	3730	4260	84	84	6-10	7020	7280
	BM330	3300	4500	5000	2400	4030	4560	84	84	6-10	7075	7335
	BM350	3500	4500	5000	2500	4230	4760	84	84	6-10	7115	7375
	BM370	3700	4500	4850	2600	4430	4960	84	84	6-10	7155	7415
	BM400	4000	4500	4650	2800	4730	5260	84	84	6-6	7230	7490
	BM430	4300	4200	4300	2950	5030	5560	84	84	6-6	7285	7545
	BM450	4500	4000	4200	3050	5230	5760	84	84	6-6	7325	7585
	BM470	4700	3600	3700	3150	5430	5960	84	84	6-6	7365	7625
	BM500	5000	3400	3550	3300	5730	6260	84	84	6-6	7415	7675
	BM550	5500	2700	2700	3550	6230	6760	84	84	6-6	7535	7795
	BM600	6000	2400	2400	3850	6730	7260	84	84	6-6	7655	7915

With Separated Side shifter, load capacity subtract 200kg. With Integrated side shifter, load capacity subtract 100kg.

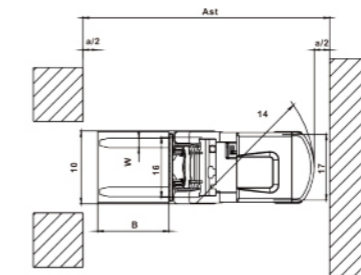
MAIN SPECIFICATIONS

Specification	Item	Unit	XCMG		Item	
			FB45-AZ1	FB50-AZ1		
Performance	1	Manufacturer	XCMG		1	
	2	Model	FB45-AZ1	FB50-AZ1	2	
	3	Rated Load Capacity	Q(kg)	4500	5000	3
	4	Load Centre	C(mm)	500	500	4
	5	Lift Height	H ₁ (mm)	3000	3000	5
	6	Free Lift	H ₂ (mm)	84	84	6
	7	Fork Size (LxWxT)	L/W/T(mm)	1070x150x50	1070x150x50	7
	8	F/B(α°/β°)	Deg	6°/10°	6°/10°	8
Dimensions	9	Length (To Fork Face)	L ₁ (mm)	2940	2940	9
	10	Width	B ₁ (mm)	1612	1612	10
	11	Mast Lowered Height	H ₁ (mm)	2250	2250	11
	12	Mast Extended Height (With Backrest)	H ₄ (mm)	4260	4260	12
	13	Overhead Guard Height	H ₅ (mm)	2300	2300	13
	14	Turning Radius	W _a (mm)	2705	2705	14
	15	Fork Overhang (Wheel Center to Fork Face)	X(mm)	550	550	15
	16	Front Tread	B ₂ (mm)	1300	1300	16
	17	Rear Tread	B ₃ (mm)	1200	1200	17
	18	Ground Clearance	H ₆ (mm)	125	125	18
	19	Wheelbase	Y(mm)	2000	2000	19
	20	Fork Spread (Min/Max)	mm	250/1380	250/1380	20
	21	Working Aisle Width With Pallet (1200x1200)	A _{st} (mm)	4655	4655	21
Performance	22	Travel Speed (Full Load)	km/h	12.5	12.5	22
	23	Travel Speed (No Load)	km/h	13.5	13.5	23
	24	Lifting Speed (Full Load)	mm/s	290	270	24
	25	Lifting Speed (No Load)	mm/s	400	380	25
	26	Max.Gradeability (Full Load)	%	12	12	26
	27	Max.Gradeability (No Load)	%	13	13	27
	28	Total Weight (Include Battery Box)	Kg	7020	7280	28
	29	Tyre (Front x 2)		28x12.5-15PR	28x12.5-15PR	29
	30	Tyre (Rear x 2)		21x8-9	21x8-9	30
	Drive	31	Diver Motor	Kw	11x2	11x2
32		Pump Motor	Kw	25.4	25.4	32
33		Battery (Standard)	V/Ah	80/840	80/840	33
34		Controller Type		AC	AC	34
35		Controller Manufacturer		ZAPI	ZAPI	35
36		Operating Pressure	Mpa	20	20	36

Specifications and characteristics are subject to change without notice. Please contact us for detailed information. XCMG Forklift retains the right to interpret.



a=200mm Safety clearance
AST=a+15+14+B



Load chart

