

Diesel Forklift Truck

capacity 1,500 to 1,800kg



MAST SPECIFICATIONS & RATED CAPACITIES

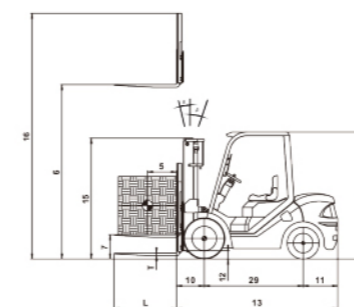
Mast Type	Mast Name	Max. Fork Height (mm)	Load Capacity (Load Centre 500mm) (kg)		Overall Height (mm)			Free Lift (mm)		Tilt Angle (Single)	Tilt Angle (Double)	Total Weight (kg)	
			1.5t	1.8t	Lowered	Extended		Without Backrest	With Backrest			1.5t	1.8t
						Without Backrest	With Backrest						
Wide View Mast	M270	2700	1500	1800	1875	3275	3755	100	100	6-12	6-12	2575	2875
	M300	3000	1500	1800	2025	3575	4055	100	100	6-12	6-12	2590	2890
	M330	3300	1500	1800	2175	3875	4355	100	100	6-12	6-12	2605	2905
	M350	3500	1500	1800	2275	4075	4555	100	100	6-12	6-12	2615	2915
	M370	3700	1500	1800	2375	4275	4755	100	100	6-6	6-6	2625	2925
	M400	4000	1500	1750	2575	4575	5055	100	100	6-6	*6-12	2655	2955
	M430	4300	1300	1650	2725	4875	5355	100	100	6-6	*6-12	2670	2970
	M450	4500	1250	1550	2825	5075	5555	100	100	6-6	*6-12	2685	2985
	M470	4700	1100	1400	2925	5275	5755	100	100	6-6	*6-12	2695	2995
	M500	5000	950	1050	3125	5575	6055	100	100	6-6	*6-6	2725	3025
2-Stage Full Free Wide View Mast	FM270	2700	1500	1800	1875	3220	3700	1300	830	6-12	*6-12	2650	2950
	FM300	3000	1500	1800	2025	3570	4050	1460	980	6-12	*6-12	2665	2965
	FM330	3300	1500	1800	2175	3920	4400	1610	1130	6-12	*6-12	2680	2980
	FM350	3500	1500	1800	2275	4070	4550	1710	1230	6-12	*6-12	2690	2990
	FM370	3700	1500	1800	2375	4220	4700	1800	1330	6-6	*6-12	2700	3000
	FM400	4000	1500	1800	2625	4570	5050	2000	1580	6-6	*6-12	2730	3030
3-Stage Full Free Wide View Mast	TFM400	4000	1500	1800	1925	4570	5035	1300	900	6-6	*6-6	2755	3055
	TFM430	4300	1250	1550	2025	4870	5335	1400	1000	6-6	*6-6	2775	3075
	TFM450	4500	1200	1500	2075	5070	5535	1500	1050	6-6	*6-6	2790	3090
	TFM470	4700	1180	1400	2125	5270	5735	1565	1100	6-6	*6-6	2805	3105
	TFM500	5000	900	1200	2225	5570	6035	1665	1200	6-6	*6-6	2830	3130
	TFM550	5500	800	1000	2425	6070	6535	1800	1400	3-6	*3-6	2870	3170
TFM600	6000	600	700	2625	6570	7035	2000	1600	3-6	*3-6	2920	3220	

With Separated Side shifter, load capacity subtract 150kg. With Integrated side shifter, load capacity subtract 50kg.

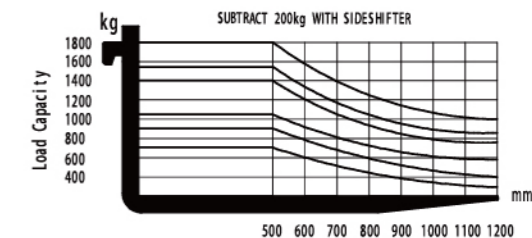
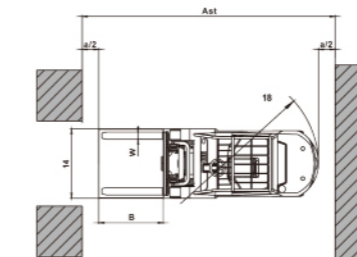
MAIN SPECIFICATIONS

		XCMG									
General	1	Manufacturer	XCMG						1		
	2	Model	FD15T-I	FD18T-I	FD15T-JB	FD18T-JB	FD15T-JC	FD18T-JC	2		
	3	Power Type	Diesel	Diesel	Diesel	Diesel	Diesel	Diesel	3		
Characteristic & Dimension	4	Rated Load Capacity	Q(kg)	1500	1800	1500	1800	1500	1800	4	
	5	Load Centre	C(mm)	500	500	500	500	500	500	5	
	6	Rated Lift Height	H _z (mm)	3000	3000	3000	3000	3000	3000	6	
	7	Free Lift Height	H _z (mm)	100	100	100	100	100	100	7	
	8	Fork Size (LxWxT)	mm	92x120x35	1070x120x40	92x120x35	1070x120x40	92x120x35	1070x120x40	8	
	9	Mast Tilt Angle (F/R, α°/β°)	deg	6°/12°	6°/12°	6°/12°	6°/12°	6°/12°	6°/12°	9	
	10	Fork Overhang (Wheel Center to Fork Face)	X ₁ (mm)	409	409	409	409	409	409	10	
	11	Rear Overhang	X ₂ (mm)	450	490	450	490	450	490	11	
	12	Ground Clearance (Bottom of Mast)	H _r (mm)	110	110	110	110	110	110	12	
	13	Length to Face of Fork (Without Fork)	L ₁ (mm)	2250	2290	2250	2290	2250	2290	13	
	14	Overall Width	B ₁ (mm)	1090	1090	1090	1090	1090	1090	14	
	15	Mast Lowered Height	H ₁ (mm)	2025	2025	2025	2025	2025	2025	15	
	16	Mast Extended Height (With Backrest)	H ₄ (mm)	4055	4055	4055	4055	4055	4055	16	
	17	Overhead Guard Height	H ₅ (mm)	2180	2180	2180	2180	2180	2180	17	
	18	Turning Radius (Outside)	W _a (mm)	2030	2060	2060	2060	2060	2060	18	
	19	Min.Aisle width for pallets	mm	3560	3740	3560	3740	3560	3740	19	
	Performance	20	Travel Speed (No Load)	km/h	14.5	14.5	14.5	14.5	14.5	14.5	20
		21	Lifting Speed (Full Load)	mm/sec	560	560	560	560	560	560	21
		22	Lowering Speed (Full Load)	mm/sec	450	450	450	450	450	450	22
23		Max.Drawbar Pull (Full Load/No Load)	kN	17(14.5)	17(14.5)	20.5(17.5)	20.5(17.5)	21(18)	21(18)	23	
24	Max.Gradeability (Full Load)	%	20	20	20	20	20	20	24		
Chassis	25	Tyre (Front x 2)	mm	6.50-10-10PR	6.50-10-10PR	6.50-10-10PR	6.50-10-10PR	6.50-10-10PR	6.50-10-10PR	25	
	26	Tyre (Rear x 2)	mm	5.00-8-10PR	5.00-8-10PR	5.00-8-10PR	5.00-8-10PR	5.00-8-10PR	5.00-8-10PR	26	
	27	Front Tread	B ₂ (mm)	890	890	890	890	890	890	27	
	28	Rear Tread	B ₃ (mm)	920	920	920	920	920	920	28	
Weight	29	Wheelbase	Y(mm)	1410	1410	1410	1410	1410	1410	29	
	30	Total Weight	kg	2590	2890	2590	2890	2590	2890	30	
	31	Front Axle Weight Distribution (Full Load)	kg	3610	4055	3610	4055	3610	4055	31	
	32	Rear Axle Weight Distribution (Full Load)	kg	480	545	480	545	480	545	32	
	33	Front Axle Weight Distribution (No Load)	kg	1160	1170	1160	1170	1160	1170	33	
	34	Rear Axle Weight Distribution (No Load)	kg	1430	1630	1430	1630	1430	1630	34	
Power & Transmission	35	Battery	V/Ah	12/90	12/90	12/90	12/90	12/90	12/90	35	
	36	Engine Model		NC485BPG		C240PKJ30 (Eu III)		4TNE92 (Eu III & EPA III)		36	
	37	Engine Manufacturer		XINCHAI	XINCHAI	ISUZU	ISUZU	YANMAR	YANMAR	37	
	38	Rated Output / r.p.m.	kw	30/2600	30/2600	35.4/2500	35.4/2500	33/2450	33/2450	38	
	39	Rated Torque / r.p.m.	Nm	131/1800	131/1800	139/1800	139/1800	150/1600	150/1600	39	
	40	No. of Cylinder		4	4	4	4	4	4	40	
	41	Bore x Stroke	mm	85X100	85X100	86X102	86X102	92X110	92X110	41	
	42	Displacement	cc	2270	2270	2369	2369	2659	2659	42	
	43	Fuel Tank Capacity	L	45	45	45	45	45	45	43	
	44	Transmission Type		Hydraulic						44	
	45	Transmission Stage (FWD/RVS)		1/1(2/2)	1/1(2/2)	1/1(2/2)	1/1(2/2)	1/1(2/2)	1/1(2/2)	45	
	46	Operating Pressure (For Attachments)	Mpa	14.5	14.5	14.5	14.5	14.5	14.5	46	

Specifications and characteristics are subject to change without notice. Please contact us for detailed information. XCMG Forklift retains the right to interpret.



a=200mm Safety clearance
AST=a+10+18+B



With Separated Side shifter, load capacity subtract 150kg. With Integrated side shifter, load capacity subtract 50kg.