

## Forged Steel Bellows Sealed Valve Series

### Application Standards

Design and manufacture: API 602, MSS-SP-117

Socket welded dimension: ANSI B16.11, JB/T1751

Screw ends dimension: ANSI B1.20.1, JB/T7306

Butt-welded ends: ANSI B16.25, JB/T12224

Flanged ends: ANSI B16.5, JB79

Test and inspection: API 598, GB/T13927, JB/T9092

### Main Features

Bolted bonnet, outside screw and yoke

Welded bonnet, outside screw and yoke

Materials conform to ANSI/ASTM

### Temperature Pressure Rate of Carbon Steel

CL150-285 P.S.I @ 100°F

CL300-740 P.S.I @ 100°F

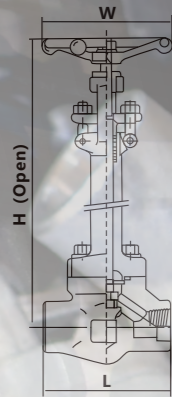
CL600-1480 P.S.I @ 100°F

CL800-1975 P.S.I @ 100°F

CL1500-3705 P.S.I @ 100°F

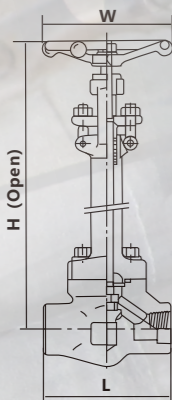


### CL800



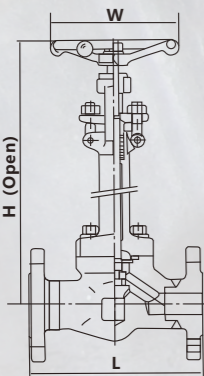
(NPS) Specification	R.P	-	1/2	3/4	1	1 1/4	1 1/2	2	2 1/2	
	F.P	1/4	3/8	1/2	3/4	1	1 1/4	1 1/2	2	
Face to face(mm)	L	79	79	92	111	120	152	172	220	
Handwheel diameter(mm)	W	100	100	100	125	160	160	180	200	
Height (mm)	H	-196	390	390	415	430	460	490	505	570
		-101	350	350	400	410	425	450	480	540
Port Dimension(mm)	d	7.0	9.0	13	17.5	23	30	35	46	
Weight(kg)		7.2	7.2	7.2	9.5	10.8	13.5	19.8	29	

### CL1500



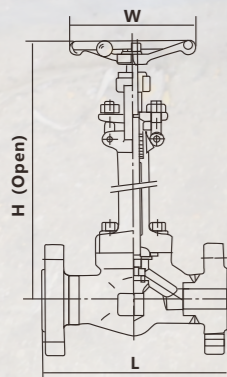
(NPS) Specification	R.P	-	1/2	3/4	1	1 1/4	1 1/2	2	2 1/2	
	F.P	1/4	3/8	1/2	3/4	1	1 1/4	1 1/2	2	
Face to face(mm)	L	92	92	111	120	152	172	200	-	
Handwheel diameter(mm)	W	100	125	125	160	160	180	200	-	
Height (mm)	H	-196	370	370	370	410	410	474	546	-
		-101	350	350	400	410	425	450	480	-
Port Dimension(mm)	d	9	12	15	20	28	32	40	-	
Weight(kg)		7.2	9.5	9.5	10.8	13.5	19.8	29	-	

### CL150-300-600

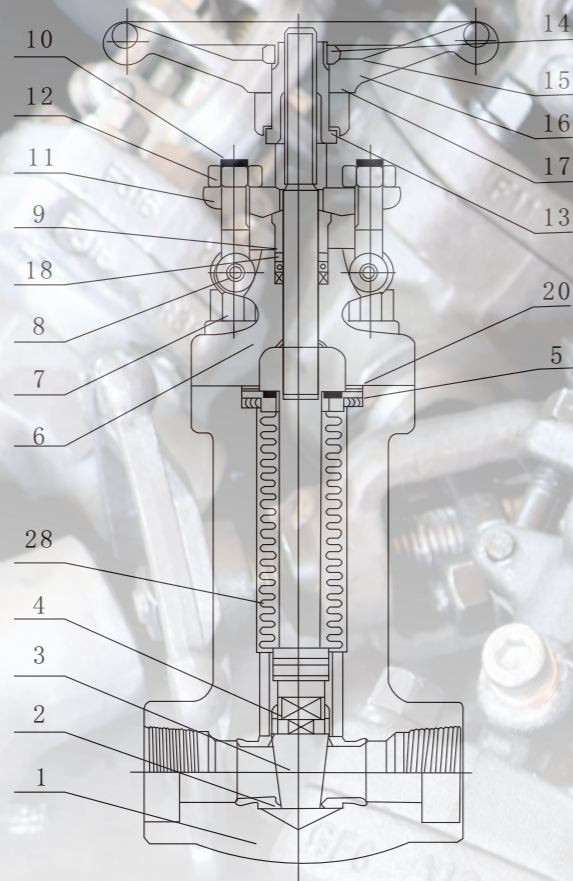


(NPS) Specification		R.P	1/4	3/8	1/2	3/4	1	1 1/4	1 1/2	2
Face to face(mm)	L(RF)	CL150	-	-	108	118	127	140	165	203
	L1(BW)	CL300	-	-	152	178	203	216	229	267
		CL600	-	-	165	190	216	229	241	292
Handwheel diameter(mm)	W	-	-	100	100	125	160	160	180	180
Height (mm)	H	-196	-	-	390	415	430	-	490	505
		-101	-	-	350	400	410	-	450	480
Port Dimension(mm)	d	-	-	9.0	13	17.5	-	30	35	35
Weight(kg)		CL150	-	-	5	5.8	8.6	13.5	13.8	24.3
		CL300	-	-	5.8	6.8	10.3	16.8	19.3	25.8
		CL600	-	-	6.3	7.3	10.6	17	20.3	26.8

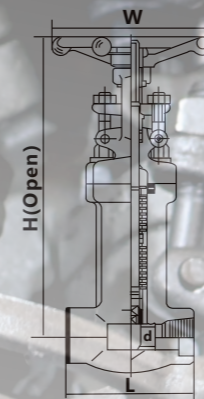
### CL1500



(NPS) Specification	F.P	1/4	3/8	1/2	3/4	1	1 1/4	1 1/2	2	
Face to face(mm)	L(RF)	-	-	216	229	254	279	305	368	
Handwheel diameter(mm)	W	-	-	125	125	160	160	180	200	
Height (mm)	H	-196	-	-	370	370	410	410	474	546
		-101	-	-	350	400	410	425	450	480
Weight(kg)	d	-	-	12	15	20	28	32	40	

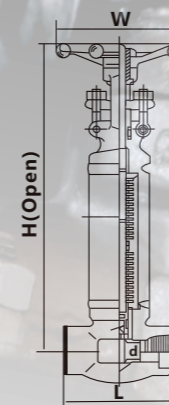


NO.	Part Name	A105/F6a	A105/F6aHFS	A105/F6aHF	F304(L)/304(L)	F316(L)/316(L)
1	Body	A105	A105	A105	F304(L)	F316(L)
2	Seat	410	410HF	410HF	304(L)	316(L)
3	Wedge	F6a	F6a	F6aHF	F304(L)	F316(L)
4	Stem	410	410	410	304(L)	316(L)
5	Gasket	304+ Flexible graphite	304+ Flexible graphite	304+ Flexible graphite	304+ Flexible graphite	304+ Flexible graphite
6	Bonnet	A105	A105	A105	F304(L)	F316(L)
7	Bolt	B7	B7	B7	B8	B8
8	Pin	410	410	410	304	304
9	Gland	410	410	410	304	316
10	Gland eyebot	B7	B7	B7	B8(M)	B8(M)
11	Gland flange	A105	A105	A105	F304	F304
12	Hex nut	2H	2H	2H	8(M)	8(M)
13	Stem nut	410	410	410	410	410
14	Locking nut	35	35	35	35	35
15	Nameplate	AL	AL	AL	AL	AL
16	Hand wheel	A197	A197	A197	A197	A197
17	Lubricating gasket	410	410	410	410	410
18	Packing	Graphite	Graphite	Graphite	Graphite	Graphite
20	Gasket	304+ Flexible graphite	304+ Flexible graphite	304+ Flexible graphite	304+ Flexible graphite	304+ Flexible graphite
28	Bellow	F321	F321	F321	F316L	F316L



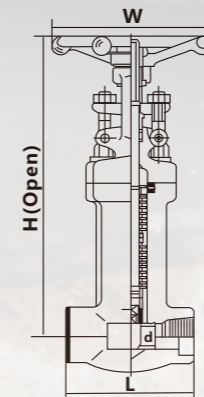
### CL800

(NPS) Specification	R.P	-	1/2	3/4	1	1 1/4	1 1/2	2
	F.P	1/4	3/8	1/2	3/4	1	1 1/4	1 1/2
Face to face(mm)	L	79	79	92	111	120	120	140
Handwheel diameter(mm)	W	100	100	100	125	160	160	180
Height (mm)	H	255	255	285	345	445	545	594
Port Dimension(mm)	d	7.5	10.5	13.5	18	24	29	36.5
Weight(kg)		3.0	3.0	3.3	5.9	8.7	10.2	16.2



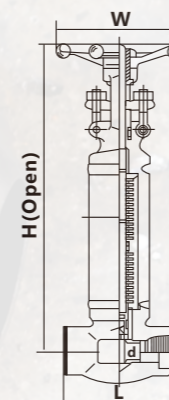
### CL800

(NPS) Specification	R.P	-	1/2	3/4	1	1 1/4	1 1/2	2
	F.P	1/4	3/8	1/2	3/4	1	1 1/4	1 1/2
Face to face(mm)	L	79	79	92	111	120	120	140
Handwheel diameter(mm)	W	100	100	100	125	160	160	480
Height (mm)	H	248	548	777	335	437	537	585
Port Dimension(mm)	d	7.5	10.5	13.5	18	24	29	36.5
Weight(kg)		2.9	2.9	3.2	4.6	7.2	8.9	15.5



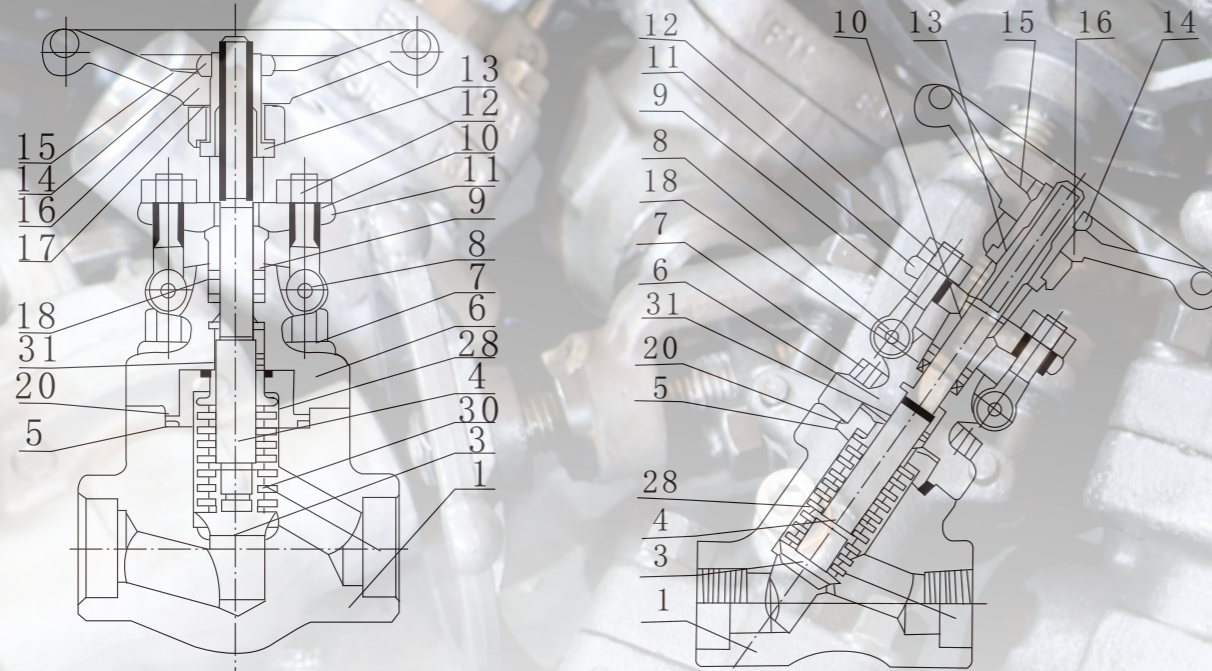
### CL1500

(NPS) Specification	R.P	-	1/2	3/4	1	1 1/4	1 1/2	2
	F.P	1/4	3/8	1/2	3/4	1	1 1/4	1 1/2
Face to face(mm)	L	79	111	111	120	120	140	178
Handwheel diameter(mm)	W	100	125	125	160	160	180	180
Height (mm)	H	294	264	320	379	478	607	636
Port Dimension(mm)	d	7.5	10.5	13.5	18	24	29	36.5
Weight(kg)		3.1	5.1	5.1	9.0	10.5	16.7	21

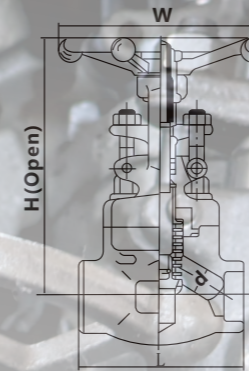


### CL1500

(NPS) Specification	R.P	-	1/2	3/4	1	1 1/4	1 1/2	2
	F.P	1/4	3/8	1/2	3/4	1	1 1/4	1 1/2
Face to face(mm)	L	79	111	111	120	120	140	178
Handwheel diameter(mm)	W	100	125	125	160	160	180	180
Height (mm)	H	287	287	312	368	465	595	627
Port Dimension(mm)	d	7.5	10.5	13.5	18	24	29	36.5
Weight(kg)		2.9	4.7	4.7	5.7	7.4	16	19

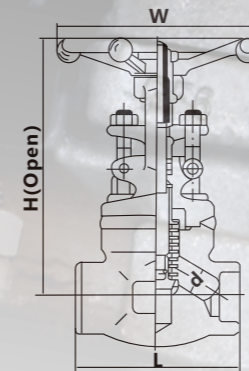


NO.	Part Name	A105/F6a	A105/F6aHFS	A105/F6aHF	F304(L)/304(L)	F316(L)/316(L)
1	Body	A105	A105+HF	A105+HF	F304(L)	F316(L)
3	Disc	F6a	F6a	F6aHF	F304(L)	F316(L)
4	Stem	410	410	410	304(L)	316(L)
5	Gasket	304+ Flexible graphite	304+ Flexible graphite	304+ Flexible graphite	304+ Flexible graphite	304+ Flexible graphite
6	Bonnet	A105	A105	A105	F304(L)	F316(L)
7	Bolt	B7	B7	B7	B8(M)	EB8(M)
8	Pin	410	410	410	304	304
9	Packing bushing	410	410	410	304	316
10	Eyelet bolt	B7	B7	B7	B8(M)	B8(M)
11	Packing gland	A105	A105	A105	F304	F304
12	Hex nut	2H	2H	2H	8(M)	8(M)
13	Stem nut	410	410	410	410	410
14	Locking nut	35	35	35	35	35
15	Name plate	AL	AL	AL	AL	AL
16	Hand wheel	A197	A197	A197	A197	A197
17	Lubricating gasket	410	410	410	410	410
18	Packing	Graphite	Graphite	Graphite	Graphite	Graphite
20	Gasket	304+ Flexible graphite	304+ Flexible graphite	304+ Flexible graphite	304+ Flexible graphite	304+ Flexible graphite
28	Bellow	F321	F321	F321	F321/304L	F316/316L
30	Steel wire	304	304	304	304	316
31	Pin	304	304	304	304	316



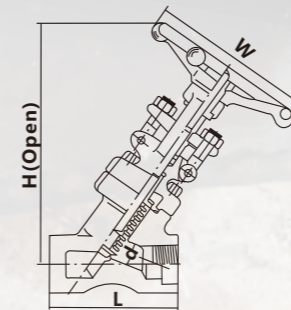
### CL800

(NPS) Specification	R.P	-	1/2	3/4	1	1 1/4	1 1/2	2	2 1/2	3
	F.P	1/4	3/8	1/2	3/4	1	1 1/4	1 1/2	2	2 1/2
Face to face(mm)	L	79	79	92	111	120	152	172	220	230
Handwheel diameter(mm)	W	100	100	100	125	160	160	180	200	-
Height (mm)	H	162	162	164	200	22	257	295	350	-
Port Dimension(mm)	d	7.0	9.0	13	17.5	23	30	35	46	-
Weight(kg)		2.3	2.4	2.5	4.35	5.75	7.8	12.5	17.5	-



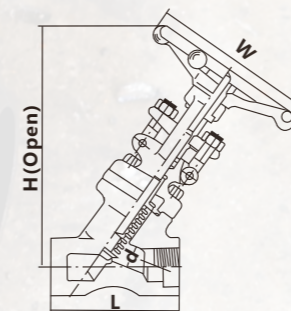
### CL800

(NPS) Specification	R.P	-	1/2	3/4	1	1 1/4	1 1/2	2	2 1/2	3
	F.P	1/4	3/8	1/2	3/4	1	1 1/4	1 1/2	2	2 1/2
Face to face(mm)	L	79	79	92	111	120	152	172	220	230
Handwheel diameter(mm)	W	100	100	100	125	160	160	180	200	-
Height (mm)	H	162	162	164	200	220	257	295	350	-
Port Dimension(mm)	d	7.0	9.0	13	17.5	23	30	35	46	-
Weight(kg)		1.7	1.8	1.9	3.3	5.2	6.8	10.6	13.8	-



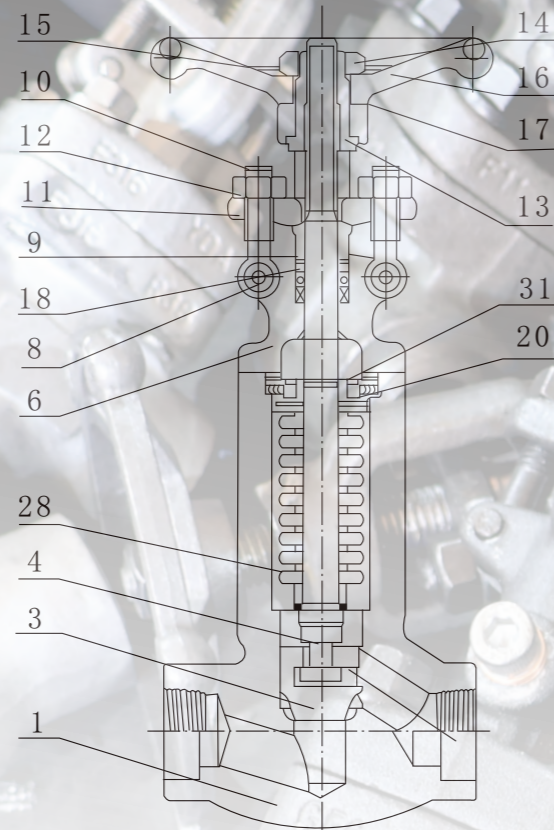
### CL1500

(NPS) Specification	R.P	-	1/2	3/4	1	1 1/4	1 1/2	2	2 1/2	3
	F.P	1/4	3/8	1/2	3/4	1	1 1/4	1 1/2	2	2 1/2
Face to face(mm)	L	98	98	98	120	140	140	170	200	-
Handwheel diameter(mm)	W	100	100	100	125	160	160	180	200	-
Height (mm)	H	180	180	180	188	280	280	295	350	-
Port Dimension(mm)	d	7	9	13	17.5	23	30	35	46	-
Weight(kg)		2.6	2.6	3.8	4.6	9.3	9.3	14	19.6	-



### CL1500

(NPS) Specification	R.P	-	1/2	3/4	1	1 1/4	1 1/2	2	2 1/2	3
	F.P	1/4	3/8	1/2	3/4	1	1 1/4	1 1/2	2	2 1/2
Face to face(mm)	L	98	98	98	120	140	140	170	200	-
Handwheel diameter(mm)	W	100	100	100	125	160	160	180	200	-
Height (mm)	H	198	198	198	207	280	280	295	350	-
Port Dimension(mm)	d	7	9	13	17.5	23	30	35	46	-
Weight(kg)		1.8	1.8	2.0	3.5	8.0	8.0	12	16	-

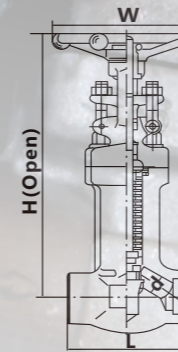


NO.	Part Name	A105/F6a	A105/F6aHFS	A105/F6aHF	F304(L)/304(L)	F316(L)/316(L)
1	Body	A105	A105+HF	A105+HF	F304(L)	F316(L)
3	Disc	F6a	F6a	F6aHF	F304(L)	F316(L)
4	Gasket	410	410	410	304(L)	316(L)
6	Bolt	A105	A105	A105	F304(L)	F316(L)
8	Pin	410	410	410	304	304
9	Packing bushing	410	410	410	304	316
10	Gland eyebolt	B7	B7	B7	B8(M)	B8(M)
11	Packing gland	A105	A105	A105	F304	F304
12	Hex nut	2H	2H	2H	8(M)	B8(M)
13	Stem nut	410	410	410	410	410
14	Locking nut	35	35	35	35	35
15	Name plate	AL	AL	AL	AL	AL
16	Hand wheel	A197	A197	A197	A197	A197
17	Lubricating gasket	410	410	410	410	410
18	Packing	Graphite	Graphite	Graphite	Graphite	Graphite
28	Bellow	F321	F321	F321	F316	F316L
31	Pin	304	304	304	304	316



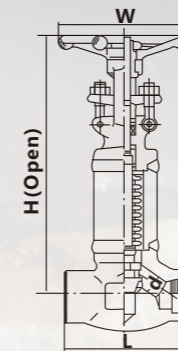
### CL800

(NPS) Specification	R.P	-	1/2	3/4	1	1 <sup>1</sup> / <sub>4</sub>	1 <sup>1</sup> / <sub>2</sub>	2	2 <sup>1</sup> / <sub>2</sub>	3
	F.P	1/4	3/8	1/2	3/4	1	1 <sup>1</sup> / <sub>4</sub>	1 <sup>1</sup> / <sub>2</sub>	2	2 <sup>1</sup> / <sub>2</sub>
Face to face(mm)	L	79	79	92	111	120	152	172	220	230
Handwheel diameter(mm)	W	100	100	100	125	160	160	180	200	-
Height (mm)	H	237	237	239	270	298	340	295	470	-
Port Dimension(mm)	d	7.0	9.0	13	17.5	23	30	35	46	-
Weight(kg)		2.5	2.6	2.7	4.4	6.7	8.8	15	18.8	-



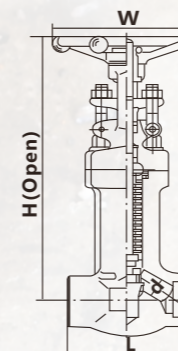
### CL800

(NPS) Specification	R.P	-	1/2	3/4	1	1 <sup>1</sup> / <sub>4</sub>	1 <sup>1</sup> / <sub>2</sub>	2	2 <sup>1</sup> / <sub>2</sub>
	F.P	1/4	3/8	1/2	3/4	1	1 <sup>1</sup> / <sub>4</sub>	1 <sup>1</sup> / <sub>2</sub>	2
Face to face(mm)	L	79	79	92	111	120	152	172	220
Handwheel diameter(mm)	W	100	100	100	125	160	160	180	200
Height (mm)	H	237	237	239	270	298	340	295	470
Port Dimension(mm)	d	7.0	9.0	13	17.5	23	30	35	46
Weight(kg)		3.1	3.3	4.2	5.5	7.25	9.8	16	21



### CL1500

(NPS) Specification	R.P	-	1/2	3/4	1	1 <sup>1</sup> / <sub>4</sub>	1 <sup>1</sup> / <sub>2</sub>	2
	F.P	1/4	3/8	1/2	3/4	1	1 <sup>1</sup> / <sub>4</sub>	1 <sup>1</sup> / <sub>2</sub>
Face to face(mm)	L	79	111	111	120	152	172	220
Handwheel diameter(mm)	W	100	125	125	160	160	180	200
Height (mm)	H	290	380	380	400	450	520	650
Port Dimension(mm)	d	7	12	15	20	28	32	40
Weight(kg)		3.3	5	7.5	10	16	27	30



### CL1500

(NPS) Specification	R.P	-	1/2	3/4	1	1 <sup>1</sup> / <sub>4</sub>	1 <sup>1</sup> / <sub>2</sub>	2
	F.P	1/4	3/8	1/2	3/4	1	1 <sup>1</sup> / <sub>4</sub>	1 <sup>1</sup> / <sub>2</sub>
Face to face(mm)	L	79	111	111	120	152	172	220
Handwheel diameter(mm)	W	100	125	125	160	160	180	200
Height (mm)	H	290	380	380	400	450	520	650
Port Dimension(mm)	d	7	12	15	20	28	32	40
Weight(kg)		3.3	5	7.5	10	16	27	30

## Forged Steel Strainer Series

### Application Standards

- Design and manufacture: BS5352, MSS-SP-118
- Socket welded dimension: ANSI B16.11, JB/T1751
- Screw ends dimension: ANSI B1.20.1, JB/T7306
- Butt-welded ends: ANSI B16.25, JB/T12224
- Flanged ends: ANSI B16.5, JB79
- Test and inspection: API 598, GB/T13927, JB/T9092

### Main Features

- Bolted bonnet
- Welded bonnet
- Materials conform to ANSI/ASTM

### Temperature Pressure Rate of Carbon Steel

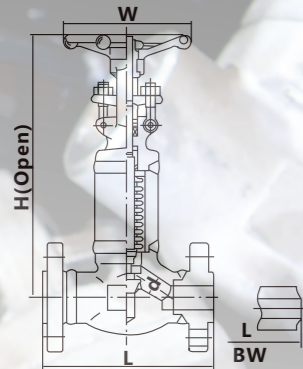
- CL150-285 P.S.I @ 100°F
- CL300-740 P.S.I @ 100°F
- CL600-1480 P.S.I @ 100°F
- CL800-1975 P.S.I @ 100°F
- CL1500-3705 P.S.I @ 100°F
- CL2500-6170 P.S.I @ 100°F

Please offer the mesh of strainer and please contract our sale department if you want to equip with plug.



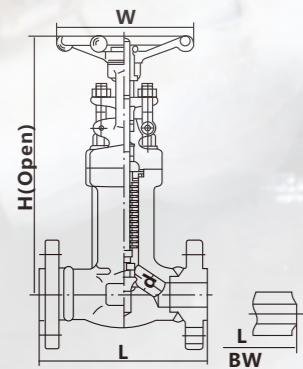
### CL150-300-600

(NPS) Specification		R.P	1/4	3/8	1/2	3/4	1	1 1/4	1 1/2	2
Face to face(mm)	CL150	L(RF)	-	-	108	117	127	140	165	203
	CL300	L1(BW)	-	-	152	178	203	216	229	267
	CL600	-	-	-	165	190	216	229	241	292
Handwheel diameter(mm)		W	-	-	100	100	125	160	160	180
Height (mm)	CL150/CL300	H	-	-	340/350	340/350	360/375	380/400	450/470	540/570
	CL600	d	-	-	360	360	390	430	500	600
Port Dimension(mm)		d	-	-	9	13	17.5	23	30	35
Weight(kg)	CL150	RF/BW	-	-	3.67/7	4.3/3.6	6.3/5.7	10.5/9.5	11.5/9.8	19.5/16
	CL300	RF/BW	-	-	4/3.2	4.8/4	7.3/6.7	13/11	14.5/12	22/18
	CL600	RF/BW	-	-	5.8/4.7	8.1/6	12.5/9	18/14	24.5/18	42/36



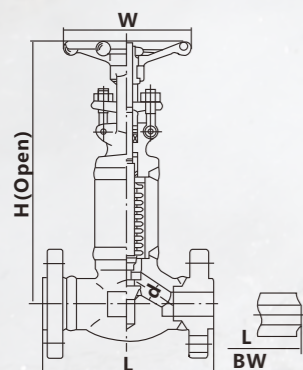
### CL150-300-600

(NPS) Specification		R.P	1/4	3/8	1/2	3/4	1	1 1/4	1 1/2	2
Face to face(mm)	CL150	L(RF)	-	-	108	117	127	140	165	203
	CL300	L1(BW)	-	-	152	178	203	216	229	267
	CL600	-	-	-	165	190	216	229	241	292
Handwheel diameter(mm)		W	-	-	100	100	125	160	160	180
Height (mm)	CL150/CL300	H	-	-	340/350	340/350	360/375	380/400	450/470	540/570
	CL600	d	-	-	360	360	390	430	500	600
Port Dimension(mm)		d	-	-	9	13	17.5	23	30	35
Weight(kg)	CL150	RF/BW	-	-	1.17/3.5	4.8/4.1	7.31/6.7	125/115	14/11.5	21.5/18
	CL300	RF/BW	-	-	4.5/3.7	5.2/4.5	8.3/7.7	145/125	16/13.5	24/20
	CL600	RF/BW	-	-	6.3/5.2	8.6/6.5	13.5/10	195/155	26/19.5	44/38



### CL1500

(NPS) Specification		R.P	1/4	3/8	1/2	3/4	1	1 1/4	1 1/2	2
Face to face(mm)	L(RF)	-	-	-	216	229	254	279	305	368
	L1(BW)	-	-	-	216	229	254	279	305	371
Handwheel diameter(mm)		W	-	-	125	125	160	160	180	200
Height (mm)		H	-	-	380	380	400	450	520	650
Port Dimension(mm)		d	-	-	12	15	20	28	32	40
Weight(kg)			-	-	11.1	11.8	14.1	16.5	23.8	37.5



### CL1500

(NPS) Specification		R.P	1/4	3/8	1/2	3/4	1	1 1/4	1 1/2	2
Face to face(mm)	L(RF)	-	-	-	216	229	254	279	305	368
	L1(BW)	-	-	-	216	229	254	279	305	371
Handwheel diameter(mm)		W	-	-	125	125	160	160	180	200
Height (mm)		H	-	-	380	380	400	450	520	650
Port Dimension(mm)		d	-	-	12	15	20	28	32	40
Weight(kg)			-	-	11.6	12.3	15	17.5	25	40

