

## Drop-in Isolators

Part Number: KTDI102M-10

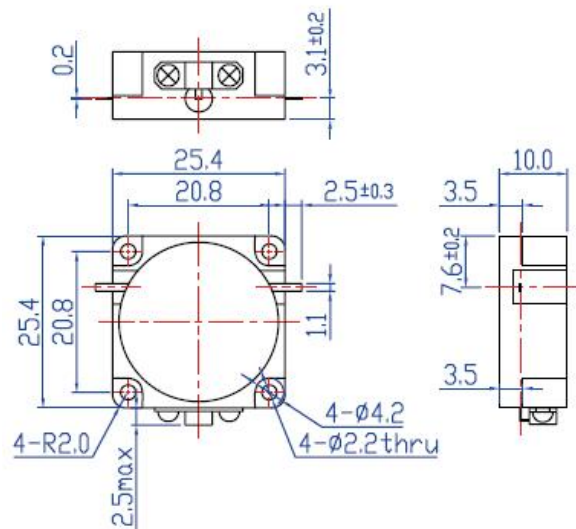
### Key Features

- Frequency Range: 0.8GHz-2.2GHz
- Low Insertion Loss, High Isolation,
- Small Size, High Performance
- Wide Operating Temperature Range: -40°C~+85°C
- Commercial, Military and Space Applications

### Electrical Specifications at Room (25°C±5°C) Temperature:

Part Number	Freq. Range (GHz)	Bandwidth Max. (MHz)	Insertion Loss Max. (dB)	Isolation Min. (dB)	VSWR Max.	Reverse Power (W)	Connector Type
KTDI102M-10	0.8 - 2.2	150	0.3	23	1.20	10	TAB

### Mechanical Dimensions (mm):



### HOW TO ORDER

