

2 Ways RF Microstrip Power Divider

Part Number: KTPD-M0560-2-SMAF

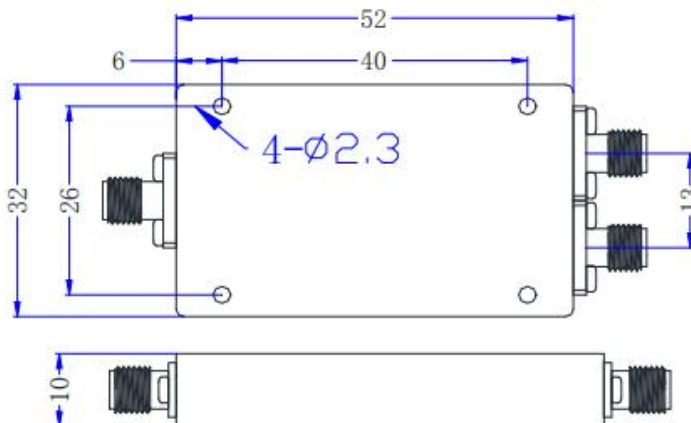
Key Features

- ◆ High Reliability
- ◆ High Performance
- ◆ Applications for Communications Systems, Amplifier Systems, Aviation/Aerospace and Defense
- ◆ RoHS Compliant

Electrical Specifications

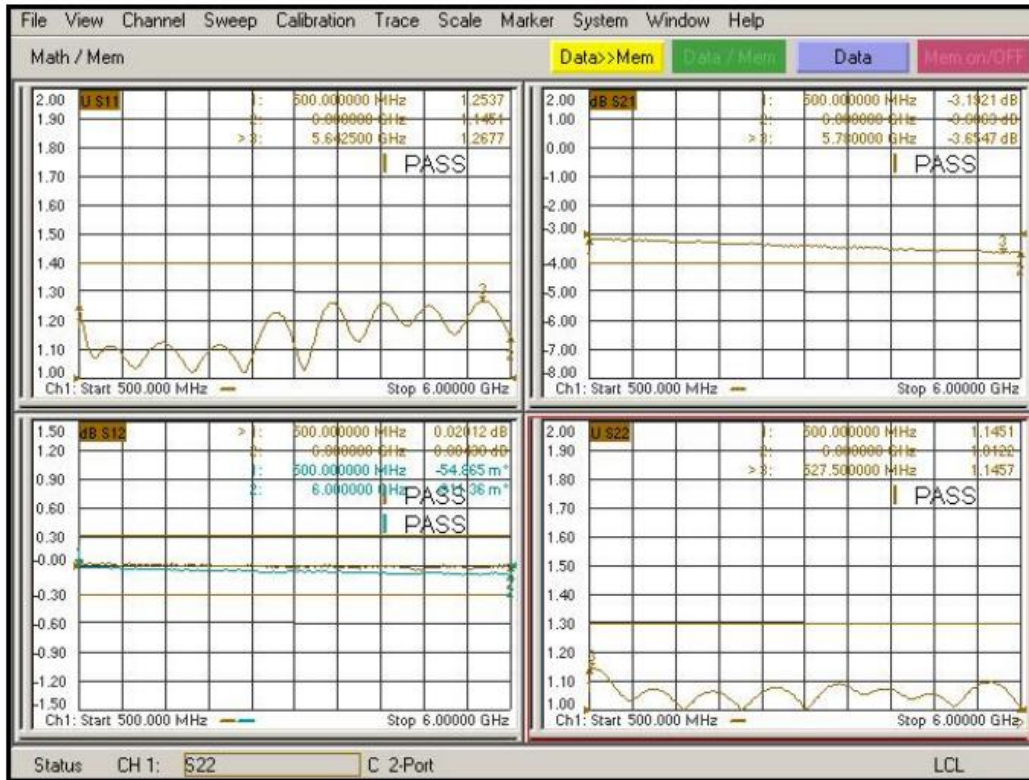
Part Number	KTPD-M0560-2-SMAF
Impedance	50Ω
Frequency Range	0.5-6.0GHz
Insertion Loss	≤1.0dB
Isolation	≥20dB
VSWR	Input ≤1.40 Output ≤1.30
Phase Balance	≤ ±3 degree
Amplitude Balance	≤ ±0.3dB
Power Handling	30W (Forward Power) 1W (Reverse Power)
Connector	SMA - Female
Operating Temperature	-40 °C ~ +80 °C
Storage Temperature	-45 °C ~ +85 °C
Body Dimension	52x32x10 mm
Surface Finish	Grey Painting

Outline Drawing (mm) (±0.5mm Tol.)



Test Curves

VSWR , Insertion Loss , AMP/Phase Balance



Isolation

