

4 Ways RF Microstrip Power Divider

Part Number: KTPD-M10180-4-SMAF

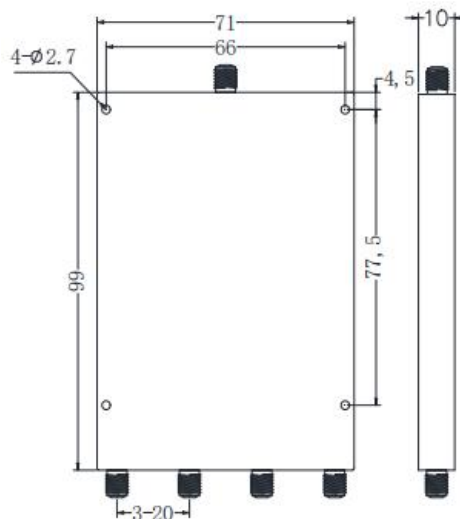
Features

- ◆ High Performance
- ◆ High Reliability
- ◆ Widely Used in Wireless Systems to Divide Power across Equally across the System
- ◆ RoHS Compliant

Electrical Specifications

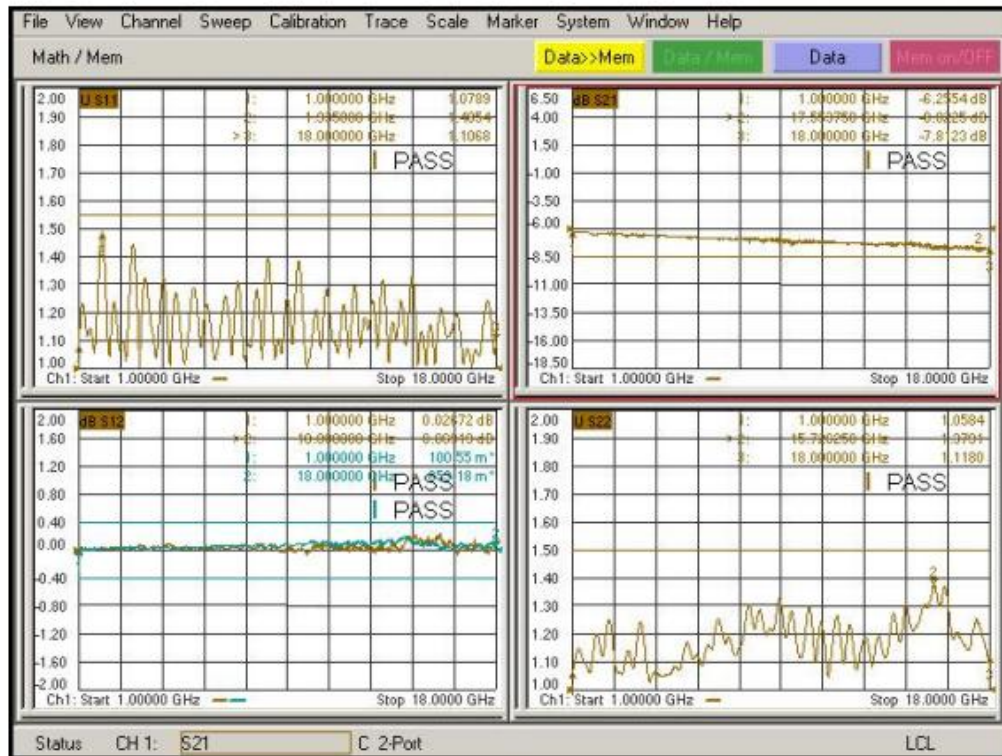
Part Number	KTPD-M10180-4-SMAF	
Impedance	50Ω	
Frequency Range	1.0-18.0GHz	
Insertion Loss	≤2.5dB	
Isolation	≥16dB	
VSWR	Input ≤1.55	Output ≤1.50
Phase Balance	≤ ±5 degree	
Amplitude Balance	≤ ±0.4dB	
Power Handling	20W (Forward Power)	1W (Reverse Power)
Connector	SMA - Female	
Operating Temperature	-40 °C ~ +80 °C	
Storage Temperature	-45 °C ~ +85 °C	
Body Dimension	99x71x10 mm	
Surface Finish	Grey Painting	

Outline Drawing (mm) (±0.5mm Tol.)



Test Curves

VSWR , I.L , Amplitude , Phase Balance



Isolation

