

8 Ways RF Microstrip Power Divider

Part Number: KTPD-M2080-8-SMAF

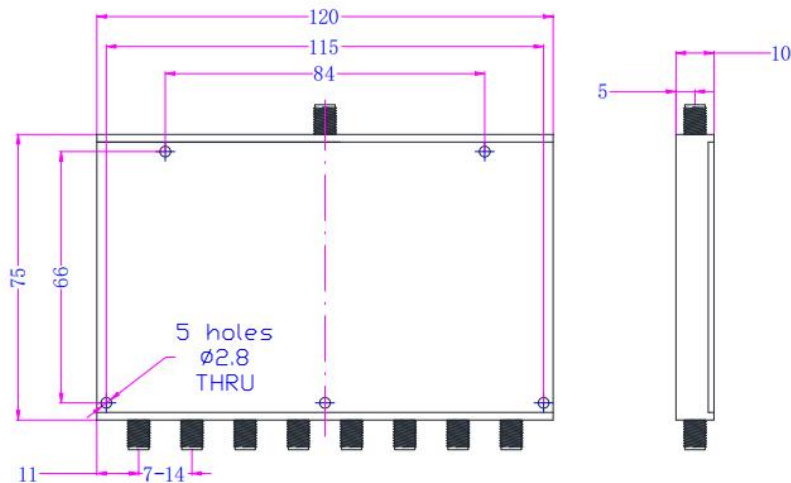
Features

- ◆ High Isolation, Low Insertion Loss
- ◆ Excellent Phase Balance and Amplitude Balance
- ◆ Widely Used in Wireless Systems to Divide Power across Equally across the System
- ◆ RoHS Compliant

Electrical Specifications

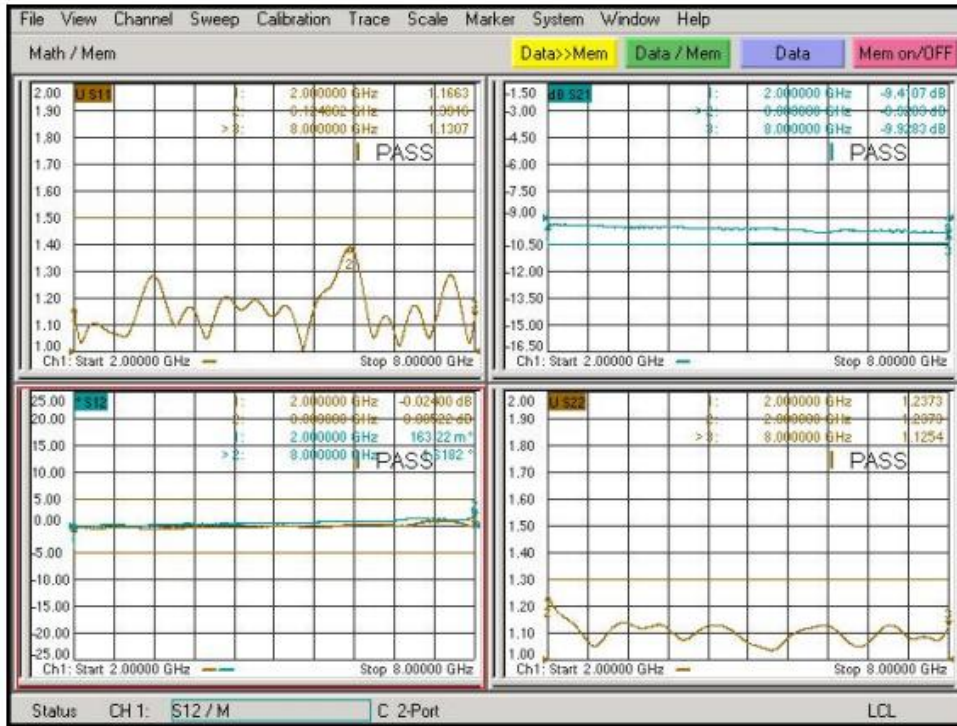
Part Number	KTPD-M2080-8-SMAF	
Impedance	50Ω	
Frequency Range	2.0-8.0GHz	
Insertion Loss	≤1.5dB	
Isolation	≥18dB	
VSWR	Input ≤1.50	Output ≤1.30
Phase Balance	≤ ±5 degree	
Amplitude Balance	≤ ±0.5dB	
Power Handling	30W (Forward Power)	1W (Reverse Power)
Connector	SMA - Female	
Operating Temperature	-40 °C ~ +80 °C	
Storage Temperature	-45 °C ~ +85 °C	
Body Dimension	120x75x10 mm	
Surface Finish	Grey Painting	

Outline Drawing (mm) (±0.5mm Tol.)



Test Curves

VSWR , I.L , Amplitude , Phase Balance



Isolation

