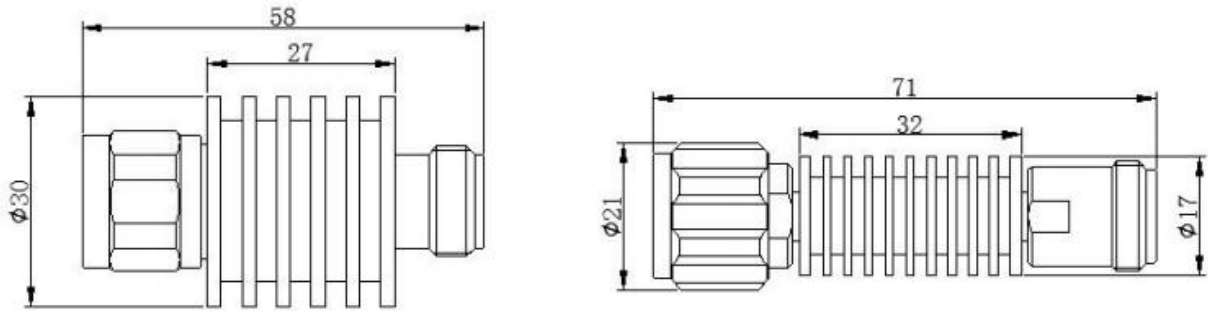


## N, DC-18GHz, 10W

### Electrical Specifications

- ◇ **Nominal Impedance:** 50  $\Omega$
- ◇ **Average Power:** 10W
- ◇ **Peak Power:** 0.5KW (5 $\mu$ s Pulse, 2% Duty Cycle)
- ◇ **Connector Type:** N (Male/Female)
- ◇ **Operating Temperature:** -55 $^{\circ}$ C to +125 $^{\circ}$ C
- ◇ **Dimension:**  $\Phi$ 30x58mm,  $\Phi$ 21x71mm
- ◇ **Net Weight:** 76g, 19g
- ◇ **RoHS Compliant**

### Outline Drawing (mm)



Part Number	Frequency Range(GHz)	Attenuation Value & Accuracy (dB)							VSWR (Max.)	Sizes (mm)
		3	6	10	20	30	40	50		
CA10-XX-N-3-A	DC-3	$\pm 0.4$	$\pm 0.4$	$\pm 0.6$	$\pm 0.8$	$\pm 0.8$	$\pm 1.0$	$\pm 1.0$	1.20	$\Phi$ 30x58
CA10-XX-N-6-A	DC-6	$\pm 0.5$	$\pm 0.5$	$\pm 0.6$	$\pm 0.8$	$\pm 1.0$	$\pm 1.0$	$\pm 1.0$	1.30	
CA10-XX-N-12.4-B	DC-12.4	$\pm 0.6$	$\pm 0.6$	$\pm 0.6$	$\pm 0.8$	$\pm 1.0$	$\pm 1.0$	/	1.30	$\Phi$ 21x71
CA10-XX-N-18-B	DC-18	$\pm 0.8$	$\pm 0.8$	$\pm 0.8$	$\pm 0.8$	$\pm 1.2$	$\pm 1.2$	/	1.35	

\* xx refer to attenuator value in dB.

### Notes:

1. The coaxial fixed attenuator must pay attention to the power input direction.
2. Input power shall meet the requirements of the power derating.