

1.85mm Coaxial Fixed Attenuators

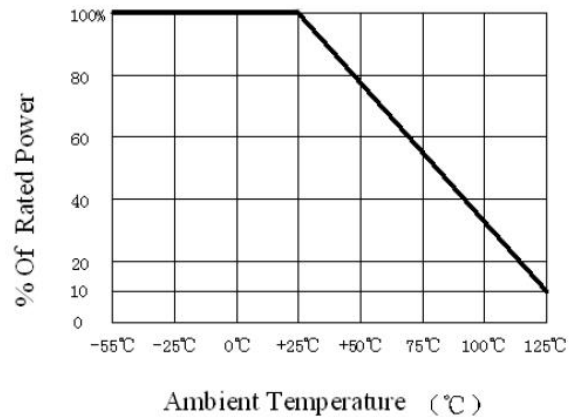
Electrical Features

- ◇ **Nominal Impedance:** 50 Ω
- ◇ **Average Power:** 2W-10W
- ◇ **Frequency Range:** DC-67GHz
- ◇ **Attenuation Value:** 1-30dB
- ◇ **Operating Temperature:** -55 $^{\circ}\text{C}$ to +125 $^{\circ}\text{C}$
- ◇ **Connector Type:** 1.85mm (Male/Female)
- ◇ **RoHS Compliant**

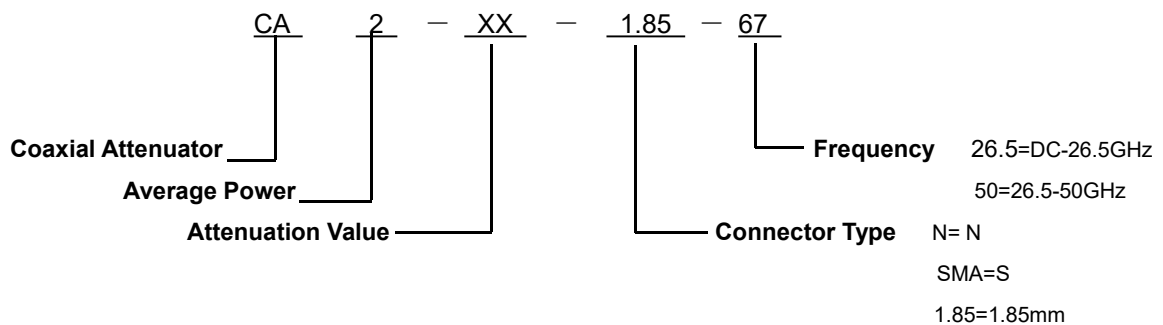
Mechanical Features

- ◇ **Housing:** Aluminum
- ◇ **Connectors:** Brass Plated Nickel
- ◇ **Male Pin:** Brass Plated Gold
- ◇ **Female Pin:** Beryllium Copper Plated Gold
- ◇ **Mechanical Tolerance:** $\pm 5\%$
- ◇ **Packaging:** Box

Power Derating



HOW TO ORDER



General Specifications for 1.85 mm Connector 2W-10W DC-67GHz

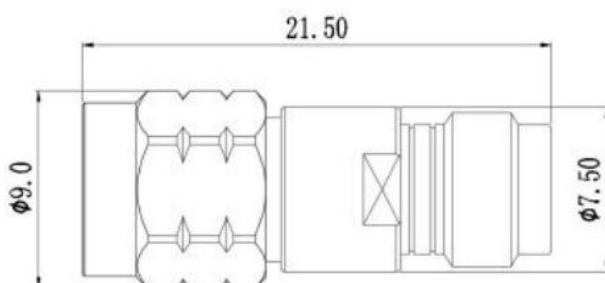
Part Number	Average Power (W)	Frequency Range (GHz)	Attenuation Value (dB)	VSWR (Max.)	Peak Power (KW)	Outline Dimensions (mm)
CA2-XX-1.85-26.5	2	DC-26.5	1-9, 10, 20	1.40	0.1	Φ9.05x21.5
CA2-XX-1.85-50	2	26.5-50	1-9, 10, 20	1.45	0.1	Φ9.0x21.5
CA2-XX-1.85-67	2	50-67	1-9, 10, 20	1.50	0.1	Φ9.0x21.5
CA5-XX-1.85-26.5	5	DC-26.5	1-9, 10, 20, 30	1.40	0.1	Φ38x30.9
CA5-XX-1.85-50	5	26.5-50	1-9, 10, 20, 30	1.45	0.1	Φ38x30.9
CA5-XX-1.85-67	5	50-67	1-9, 10, 20, 30	1.50	0.1	Φ38x30.9
CA10-XX-1.85-67	10	DC-67	10, 20	1.50	0.2	Φ38x46.5

1.85mm, DC-67GHz, 2W

Electrical Specifications

- ◇ **Nominal Impedance:** 50Ω
- ◇ **Average Power:** 2W
- ◇ **Peak Power:** 0.1KW (1μs Pulse, 1% Duty Cycle)
- ◇ **Connector Type:** 1.85mm (Male/Female)
- ◇ **Operating Temperature:** -55℃ to +125℃
- ◇ **Dimension:** Φ7.5x21.5mm
- ◇ **Net Weight:** 6g
- ◇ **RoHS Compliant**

Outline Drawing (mm)



Part Number	Frequency Range(GHz)	Attenuation Value & Accuracy (dB)			VSWR (Max.)
		1-9	10	20	
CA2-XX-1.85-26.5	DC-26.5	-1.0/+1.5	-1.0/+1.5	-1.0/+2.0	1.40
CA2-XX-1.85-50	26.5-50	-1.0/+1.5	-1.0/+1.5	-1.0/+2.0	1.45
CA2-XX-1.85-67	50-67	-1.0/+1.5	-1.0/+1.5	-1.0/+2.0	1.50

* xx refer to attenuator value in dB.

Notes:

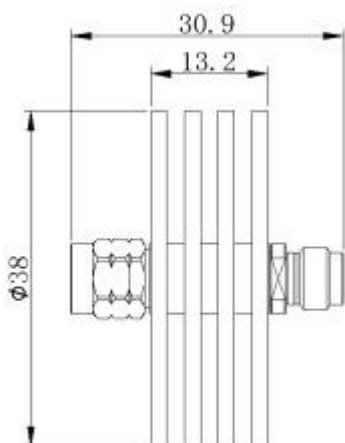
1. The coaxial fixed attenuator must pay attention to the power input direction.
2. Input power shall meet the requirements of the power derating.

1.85mm, DC-67GHz, 5W

Electrical Specifications

- ◇ **Nominal Impedance:** 50Ω
- ◇ **Average Power:** 5W
- ◇ **Peak Power:** 0.1KW (1μs Pulse, 1% Duty Cycle)
- ◇ **Connector Type:** 1.85mm (Male/Female)
- ◇ **Operating Temperature:** -55℃ to +125℃
- ◇ **Dimension:** Φ38x30.9mm
- ◇ **Net Weight:** 20g
- ◇ **RoHS Compliant**

Outline Drawing (mm)



Part Number	Frequency Range(GHz)	Attenuation Value & Accuracy (dB)				VSWR (Max.)
		1-9	10	20	30	
CA5-XX-1.85-26.5	DC-26.5	-1.0/+1.5	-1.0/+1.5	-1.2/+1.5	-1.2/+1.5	1.40
CA5-XX-1.85-50	26.5-50	-1.0/+1.5	-1.0/+1.5	-1.2/+1.5	-1.2/+1.5	1.45
CA5-XX-1.85-67	50-67	-1.0/+1.5	-1.0/+1.5	-1.2/+1.5	-1.2/+1.5	1.50

* xx refer to attenuator value in dB.

Notes:

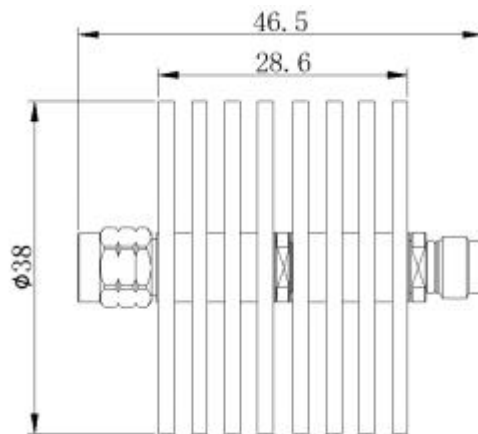
1. The coaxial fixed attenuator must pay attention to the power input direction.
2. Input power shall meet the requirements of the power derating.

1.85mm, DC-67GHz, 10W

Electrical Specifications

- ◇ **Nominal Impedance:** 50Ω
- ◇ **Average Power:** 10W
- ◇ **Peak Power:** 0.1KW (1μs Pulse, 1% Duty Cycle)
- ◇ **Connector Type:** 1.85mm (Male/Female)
- ◇ **Operating Temperature:** -55℃ to +125℃
- ◇ **Dimension:** Φ38x46.5mm
- ◇ **Net Weight:** 40g
- ◇ **RoHS Compliant**

Outline Drawing (mm)



Part Number	Frequency Range(GHz)	Attenuation Value & Accuracy (dB)		VSWR (Max.)
		10	20	
CA10-XX-1.85-67	DC-67	-1.5/+2.0	-1.5/+2.0	1.50

* xx refer to attenuator value in dB.

Notes:

1. The coaxial fixed attenuator must pay attention to the power input direction.
2. Input power shall meet the requirements of the power derating.