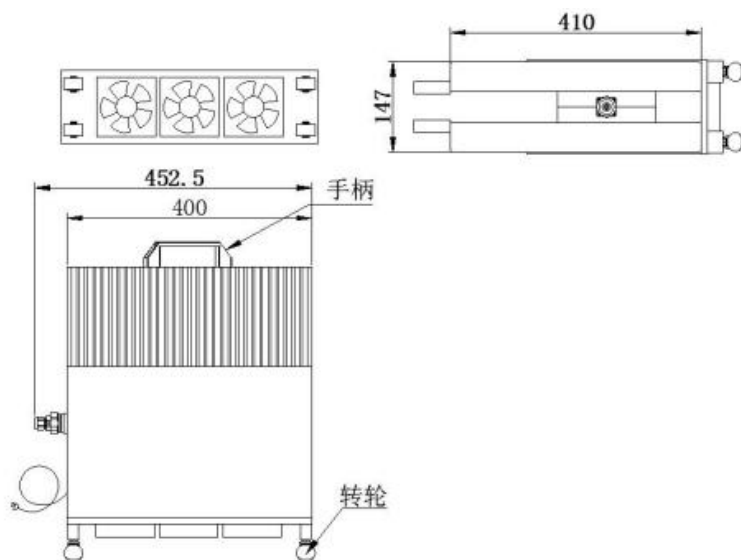


N, DC-4GHz, 1000W

Electrical Specifications

- ◇ **Nominal Impedance:** 50Ω
- ◇ **Average Power:** 1000W
- ◇ **Peak Power:** 10KW (5μs Pulse, 10% Duty Cycle)
- ◇ **Connector Type:** N (Male or Female)
- ◇ **Operating Temperature:** -55℃ to +125℃
- ◇ **Dimension:** 400x410x147mm (M/F)
- ◇ **Heat Dissipation Mode:** Fan Cooling
- ◇ **Power Supply Mode:** AC-220V±10%, 50Hz
- ◇ **Net Weight:** 25kg
- ◇ **RoHS Compliant**

Outline Drawing (mm)



Part Number	Frequency Range(GHz)	VSWR (Max.)	Peak Power (KW)	Dimension (mm)
CT50-1000-N-3-A	DC-3	1.30	10KW (5μS Pulse Width, 10% Duty Cycle)	400x410x147(M/F)
CT50-1000-N-4-A	DC-4	1.40		

Notes:

1. The input power should comply with the requirements of the power derating curve.