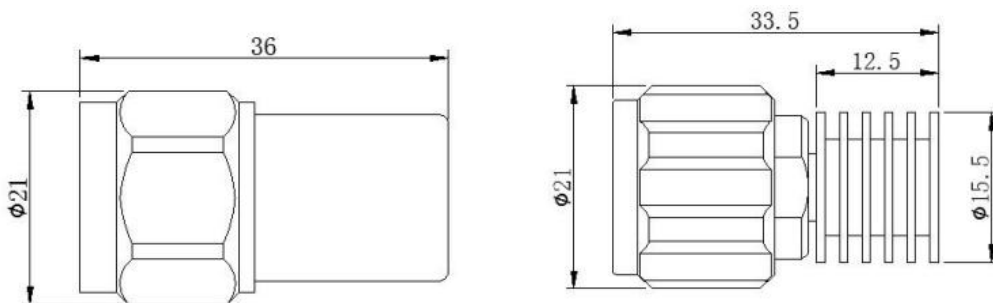


N, DC-18GHz, 5W

Electrical Specifications

- ◇ **Nominal Impedance:** 50Ω
- ◇ **Average Power:** 5W
- ◇ **Peak Power:** 0.5KW (5μs Pulse, 1% Duty Cycle)
- ◇ **Connector Type:** N (Male or Female)
- ◇ **Operating Temperature:** -55℃ to +125℃
- ◇ **Dimension:** Φ21x36mm (M), Φ20x35mm (F), Φ21x33.5mm (M), Φ15.8x32mm (F)
- ◇ **Net Weight:** 34g, 85g
- ◇ **RoHS Compliant**

Outline Drawing (mm)



Part Number	Frequency Range(GHz)	VSWR (Max.)	Peak Power (KW)	Dimension (mm)
CT50-5-N-3-A	DC-3	1.20	0.5KW (5μs Pulse, 1% Duty Cycle)	Φ21x36 (M) Φ20x35 (F)
CT50-5-N-6-A	DC-6	1.30		
CT50-5-N-18-B	DC-18	1.35		Φ21x33.5 (M) Φ15.8x32 (F)

Notes:

1. The input power should comply with the requirements of the power derating curve.