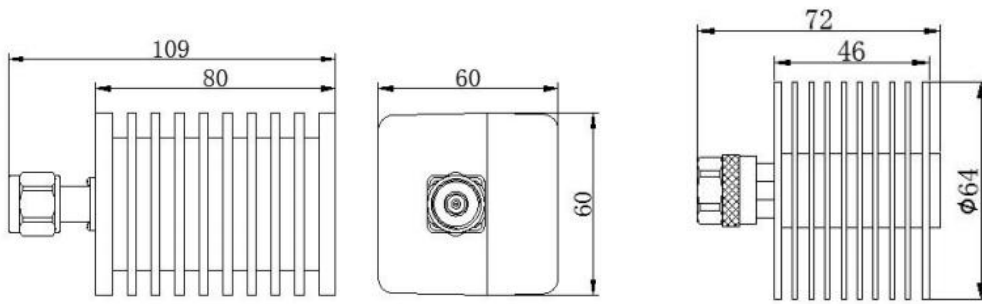


N, DC-18GHz, 50W

Electrical Specifications

- ◇ **Nominal Impedance:** 50Ω
- ◇ **Average Power:** 50W
- ◇ **Peak Power:** 1KW (5μs Pulse, 5% Duty Cycle)
- ◇ **Connector Type:** N (Male or Female)
- ◇ **Operating Temperature:** -55℃ to +125℃
- ◇ **Dimension:** 80x60x60mm (M/F), Φ64x72mm (M), Φ64x71mm (F)
- ◇ **Net Weight:** 390g, 180g
- ◇ **RoHS Compliant**

Outline Drawing (mm)



Part Number	Frequency Range(GHz)	VSWR (Max.)	Peak Power (KW)	Dimension (mm)
CT50-50-N-3-A	DC-3	1.20	1KW (5μS Pulse Width, 5% Duty Cycle)	80x60x60 (M/F)
CT50-50-N-6-A	DC-6	1.30		
CT50-50-N-18-B	DC-18	1.35		Φ64x72(M) Φ64x71(F)

Notes:

1. The input power should comply with the requirements of the power derating curve.