

N Coaxial Fixed Terminations

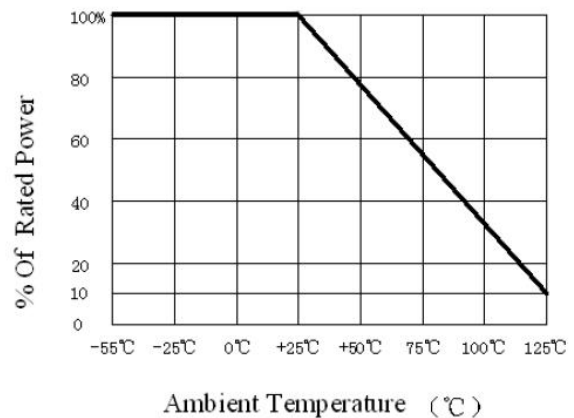
Electrical Features

- ◇ **Nominal Impedance:** 50 Ω
- ◇ **Average Power:** 5W-1000W
- ◇ **Frequency Range:** DC-18GHz
- ◇ **Operating Temperature:** -55°C to +125°C
- ◇ **Connector Type:** N (Male)
- ◇ **RoHS Compliant**

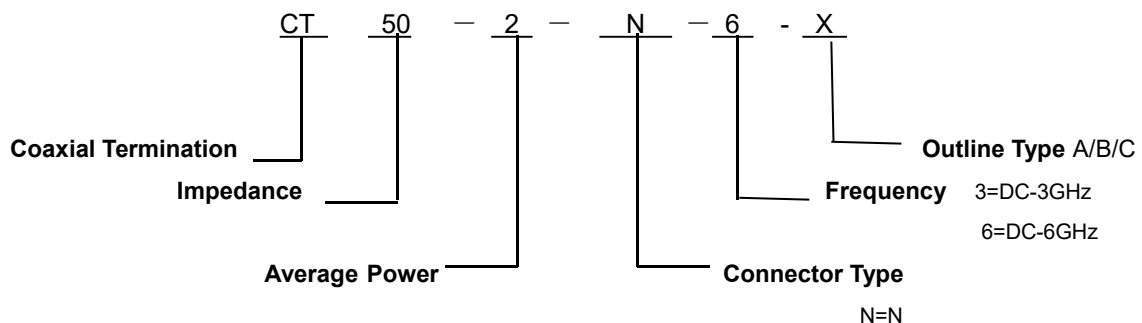
Mechanical Features

- ◇ **Housing:** Aluminum
- ◇ **Connectors:** Brass Plated Nickel
- ◇ **Male Pin:** Brass Plated Gold
- ◇ **Female Pin:** Beryllium Copper Plated Gold
- ◇ **Mechanical Tolerance:** ±5%
- ◇ **Packaging:** Box

Power Derating



HOW TO ORDER



General Specifications for N Connector 5W-1000W DC-18GHz

| Part Number | Average Power (W) | Frequency Range (GHz) | VSWR (Max.) | Peak Power (KW) | Outline Dimensions (mm) |
|-----------------|-------------------|-----------------------|-------------|-----------------|------------------------------|
| CT50-5-N-3-A | 5 | DC-3 | 1.20 | 0.5 | Φ21x36 (M) |
| CT50-5-N-6-A | 5 | DC-6 | 1.30 | 0.5 | Φ20x35 (F) |
| CT50-5-N-18-B | 5 | DC-18 | 1.35 | 0.5 | Φ21x33.5 (M) Φ15.8x32 (F) |
| CT50-10-N-3-A | 10 | DC-3 | 1.20 | 0.5 | Φ30x48.5 (M) |
| CT50-10-N-6-A | 10 | DC-6 | 1.30 | 0.5 | Φ30x45.3 (F) |
| CT50-10-N-18-B | 10 | DC-18 | 1.35 | 0.5 | Φ21x53.5 (M) Φ21x52 (F) |
| CT50-30-N-6-A | 30 | DC-3 | 1.20 | 1 | Φ45x91 (M) |
| CT50-30-N-6-A | 30 | DC-6 | 1.30 | 1 | Φ45x89.5 (F) |
| CT50-30-N-18-B | 30 | DC-18 | 1.35 | 1 | Φ45x71 (M) Φ45x70 (F) |
| CT50-50-N-3-A | 50 | DC-3 | 1.20 | 1 | 80x60x60 (M/F) |
| CT50-50-N-6-A | 50 | DC-6 | 1.30 | 1 | |
| CT50-50-N-18-B | 50 | DC-18 | 1.35 | 1 | Φ64x72(M) Φ64x71(F) |
| CT50-100-N-3-A | 100 | DC-3 | 1.20 | 1 | 120x100x60 (M/F) |
| CT50-100-N-6-A | 100 | DC-6 | 1.35 | 1 | |
| CT50-100-N-18-B | 100 | DC-18 | 1.40 | 1 | Φ64x245 (M) |
| CT50-200-N-3-A | 200 | DC-3 | 1.20 | 10 | 200x142x65 (M/F) |
| CT50-200-N-6-A | 200 | DC-6 | 1.35 | 10 | |
| CT50-200-N-18-B | 200 | DC-18 | 1.45 | 10 | Φ64x319 (M) |
| CT50-300-N-3-A | 300 | DC-3 | 1.25 | 10 | 230x160x87 (M/F) |
| CT50-300-N-6-A | 300 | DC-6 | 1.40 | 10 | |

General Specifications for N Connector 5W-1000W DC-18GHz

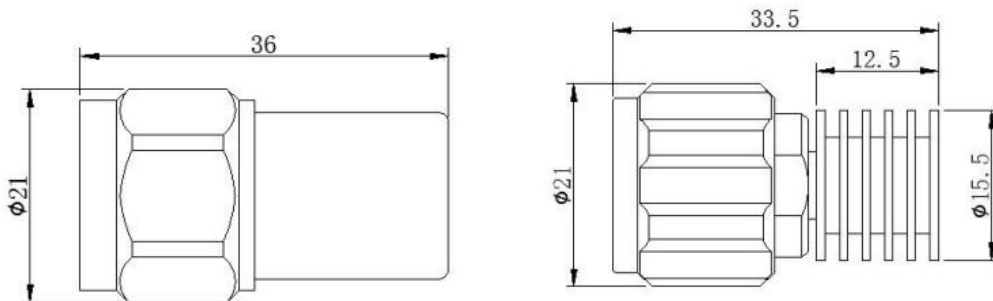
| Part Number | Average Power (W) | Frequency Range (GHz) | VSWR (Max.) | Peak Power (KW) | Outline Dimensions (mm) |
|-------------------|-------------------|-----------------------|-------------|-----------------|-------------------------|
| CT50-500-N-3-A | 500 | DC-3 | 1.30 | 10 | 400x245x97 (M/F) |
| CT50-500-N-6-A | 500 | DC-6 | 1.45 | 10 | |
| CT50-500-N-6-B | 500 | 2-6 | 1.25 | 5 | 280x86x60 (M/F) |
| CT50-500-N-12.4-B | 500 | 6-12.4 | 1.30 | 5 | |
| CT50-500-N-18-B | 500 | 12.4-18 | 1.45 | 5 | |
| CT50-1000-N-3-A | 1000 | DC-3 | 1.30 | 10 | 400x410x147(M/F) |
| CT50-1000-N-4-A | 1000 | DC-4 | 1.40 | 10 | |

N, DC-18GHz, 5W

Electrical Specifications

- ◇ **Nominal Impedance:** 50Ω
- ◇ **Average Power:** 5W
- ◇ **Peak Power:** 0.5KW (5μs Pulse, 1% Duty Cycle)
- ◇ **Connector Type:** N (Male or Female)
- ◇ **Operating Temperature:** -55℃ to +125℃
- ◇ **Dimension:** Φ21x36mm (M), Φ20x35mm (F), Φ21x33.5mm (M), Φ15.8x32mm (F)
- ◇ **Net Weight:** 34g, 85g
- ◇ **RoHS Compliant**

Outline Drawing (mm)



| Part Number | Frequency Range(GHz) | VSWR (Max.) | Peak Power (KW) | Dimension (mm) |
|---------------|----------------------|-------------|----------------------------------|------------------------------|
| CT50-5-N-3-A | DC-3 | 1.20 | 0.5KW (5μs Pulse, 1% Duty Cycle) | Φ21x36 (M) Φ20x35 (F) |
| CT50-5-N-6-A | DC-6 | 1.30 | | |
| CT50-5-N-18-B | DC-18 | 1.35 | | Φ21x33.5 (M) Φ15.8x32 (F) |

Notes:

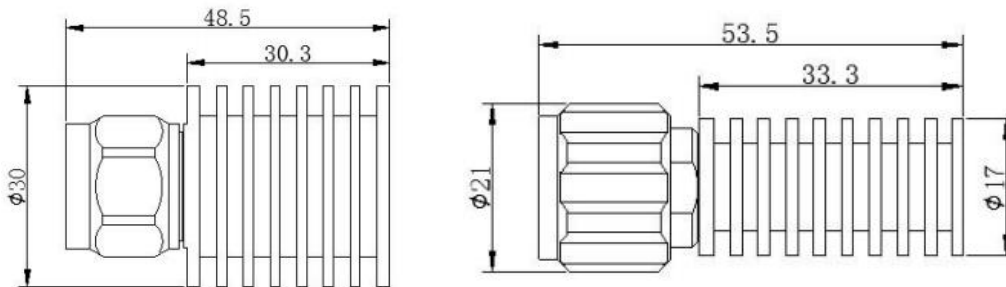
1. The input power should comply with the requirements of the power derating curve.

N, DC-18GHz, 10W

Electrical Specifications

- ◇ **Nominal Impedance:** 50Ω
- ◇ **Average Power:** 10W
- ◇ **Peak Power:** 0.5KW (5μs Pulse, 2% Duty Cycle)
- ◇ **Connector Type:** N (Male or Female)
- ◇ **Operating Temperature:** -55℃ to +125℃
- ◇ **Dimension:** Φ30x48.5mm (M), Φ30x45.3mm (F), Φ21x53.5mm (M), Φ21x52mm (F)
- ◇ **Net Weight:** 65g, 30g
- ◇ **RoHS Compliant**

Outline Drawing (mm)



| Part Number | Frequency Range(GHz) | VSWR (Max.) | Peak Power (KW) | Dimension (mm) |
|----------------|----------------------|-------------|----------------------------------|----------------------------|
| CT50-10-N-3-A | DC-3 | 1.20 | 0.5KW (5μs Pulse, 2% Duty Cycle) | Φ30x48.5 (M) |
| CT50-10-N-6-A | DC-6 | 1.30 | | Φ30x45.3 (F) |
| CT50-10-N-18-B | DC-18 | 1.35 | | Φ21x53.5 (M) Φ21x52 (F) |

Notes:

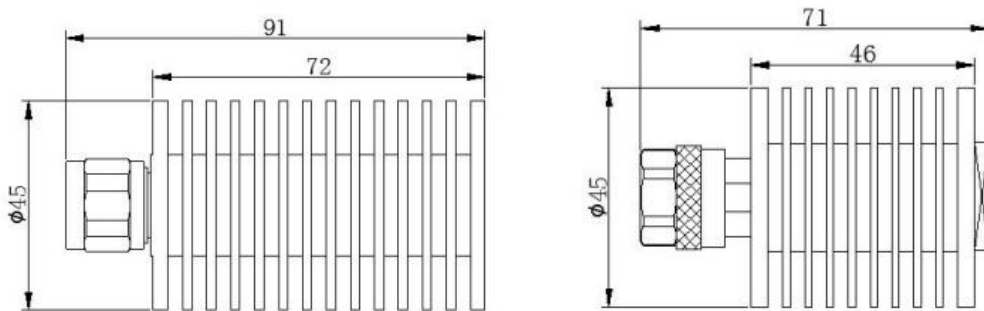
1. The input power should comply with the requirements of the power derating curve.

N, DC-18GHz, 30W

Electrical Specifications

- ◇ **Nominal Impedance:** 50Ω
- ◇ **Average Power:** 30W
- ◇ **Peak Power:** 1KW (5μs Pulse, 2.5% Duty Cycle)
- ◇ **Connector Type:** N (Male or Female)
- ◇ **Operating Temperature:** -55℃ to +125℃
- ◇ **Dimension:** Φ45x91mm (Male), Φ45x89.5mm (F), Φ45x71mm (M), Φ45x70mm (F)
- ◇ **Net Weight:** 198g, 188g
- ◇ **RoHS Compliant**

Outline Drawing (mm)



| Part Number | Frequency Range(GHz) | VSWR (Max.) | Peak Power (KW) | Dimension (mm) |
|----------------|----------------------|-------------|--|----------------------------|
| CT50-30-N-3-A | DC-3 | 1.20 | 1KW (5μS Pulse Width, 2.5% Duty Cycle) | Φ45x91 (M) Φ45x89.5 (F) |
| CT50-30-N-6-A | DC-6 | 1.30 | | |
| CT50-30-N-18-B | DC-18 | 1.35 | | Φ45x71 (M) Φ45x70 (F) |

Notes:

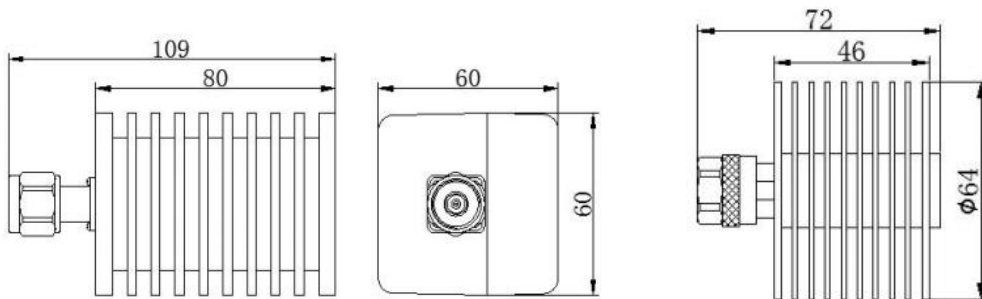
1. The input power should comply with the requirements of the power derating curve.

N, DC-18GHz, 50W

Electrical Specifications

- ◇ **Nominal Impedance:** 50Ω
- ◇ **Average Power:** 50W
- ◇ **Peak Power:** 1KW (5μs Pulse, 5% Duty Cycle)
- ◇ **Connector Type:** N (Male or Female)
- ◇ **Operating Temperature:** -55℃ to +125℃
- ◇ **Dimension:** 80x60x60mm (M/F), Φ64x72mm (M), Φ64x71mm (F)
- ◇ **Net Weight:** 390g, 180g
- ◇ **RoHS Compliant**

Outline Drawing (mm)



| Part Number | Frequency Range(GHz) | VSWR (Max.) | Peak Power (KW) | Dimension (mm) |
|----------------|----------------------|-------------|--------------------------------------|------------------------|
| CT50-50-N-3-A | DC-3 | 1.20 | 1KW (5μS Pulse Width, 5% Duty Cycle) | 80x60x60 (M/F) |
| CT50-50-N-6-A | DC-6 | 1.30 | | |
| CT50-50-N-18-B | DC-18 | 1.35 | | Φ64x72(M) Φ64x71(F) |

Notes:

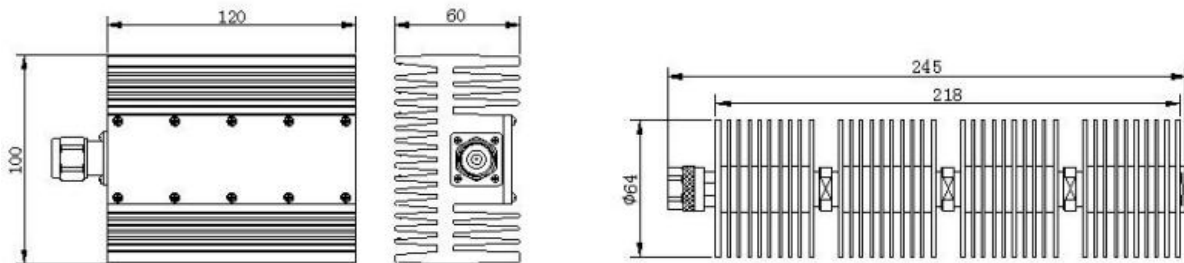
1. The input power should comply with the requirements of the power derating curve.

N, DC-18GHz, 100W

Electrical Specifications

- ◇ **Nominal Impedance:** 50Ω
- ◇ **Average Power:** 100W
- ◇ **Peak Power:** 1KW (5μs Pulse, 10% Duty Cycle)
- ◇ **Connector Type:** N (Male or Female)
- ◇ **Operating Temperature:** -55℃ to +125℃
- ◇ **Dimension:** 120x100x60mm (M/F), Φ64x245mm (M)
- ◇ **Net Weight:** 1.1kg, 760g
- ◇ **RoHS Compliant**

Outline Drawing (mm)



| Part Number | Frequency Range(GHz) | VSWR (Max.) | Peak Power (KW) | Dimension (mm) |
|-----------------|----------------------|-------------|---------------------------------------|-----------------|
| CT50-100-N-3-A | DC-3 | 1.20 | 1KW (5μS Pulse Width, 10% Duty Cycle) | 120x100x60(M/F) |
| CT50-100-N-6-A | DC-6 | 1.35 | | |
| CT50-100-N-18-B | DC-18 | 1.40 | | Φ64x245 (M) |

Notes:

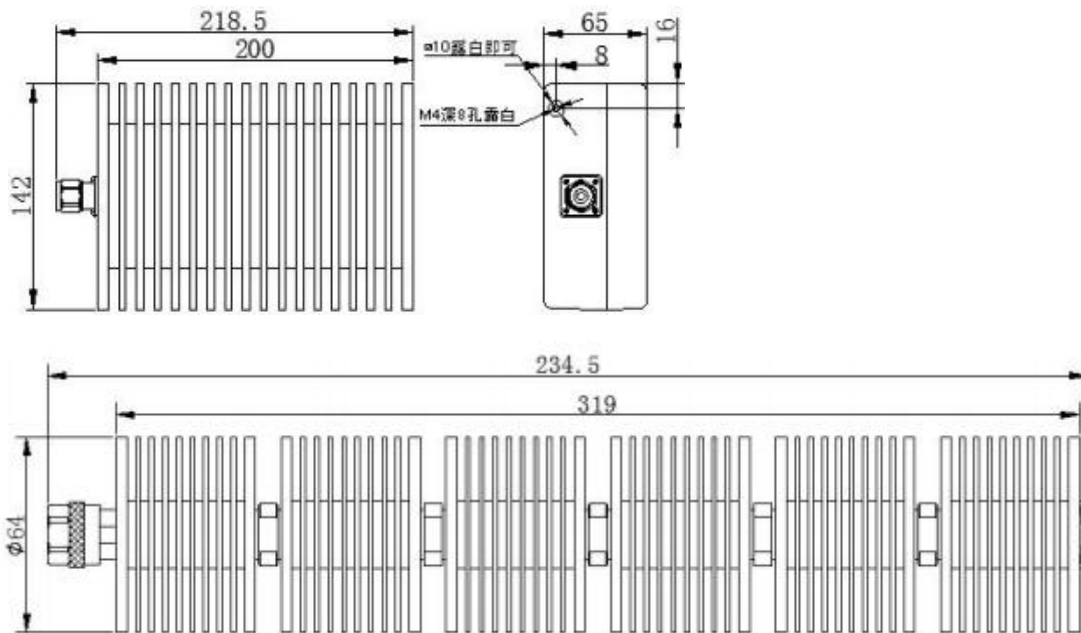
1. The input power should comply with the requirements of the power derating curve.

N, DC-18GHz, 200W

Electrical Specifications

- ◇ **Nominal Impedance:** 50Ω
- ◇ **Average Power:** 200W
- ◇ **Peak Power:** 10KW (5μs Pulse, 2% Duty Cycle)
- ◇ **Connector Type:** N (Male or Female)
- ◇ **Operating Temperature:** -55℃ to +125℃
- ◇ **Dimension:** 200x142x65mm (M/F), Φ64x334mm (M)
- ◇ **Net Weight:** 2.25kg, 1.1kg
- ◇ **RoHS Compliant**

Outline Drawing (mm)



| Part Number | Frequency Range(GHz) | VSWR (Max.) | Peak Power (KW) | Dimension (mm) |
|-----------------|----------------------|-------------|---------------------------------------|-----------------|
| CT50-200-N-3-A | DC-3 | 1.20 | 10KW (5μS Pulse Width, 2% Duty Cycle) | 200x142x65(M/F) |
| CT50-200-N-6-A | DC-6 | 1.35 | | |
| CT50-200-N-18-B | DC-18 | 1.45 | | Φ64x319 (M) |

Notes:

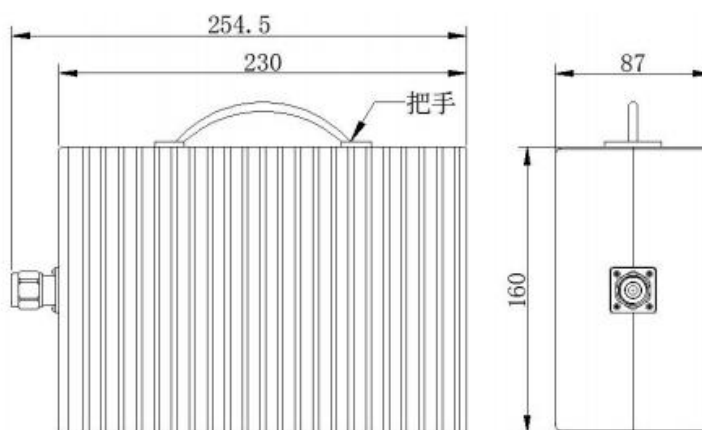
1. The input power should comply with the requirements of the power derating curve.

N, DC-6GHz, 300W

Electrical Specifications

- ◇ **Nominal Impedance:** 50Ω
- ◇ **Average Power:** 300W
- ◇ **Peak Power:** 10KW (5μs Pulse, 3% Duty Cycle)
- ◇ **Connector Type:** N (Male or Female)
- ◇ **Operating Temperature:** -55℃ to +125℃
- ◇ **Dimension:** 200x142x65mm (M/F), Φ64x334mm (M)
- ◇ **Net Weight:** 3.5kg
- ◇ **RoHS Compliant**

Outline Drawing (mm)



| Part Number | Frequency Range(GHz) | VSWR (Max.) | Peak Power (KW) | Dimension (mm) |
|----------------|----------------------|-------------|---------------------------------------|-----------------|
| CT50-300-N-3-A | DC-3 | 1.25 | 10KW (5μS Pulse Width, 3% Duty Cycle) | 230x160x87(M/F) |
| CT50-300-N-6-A | DC-6 | 1.40 | | |

Notes:

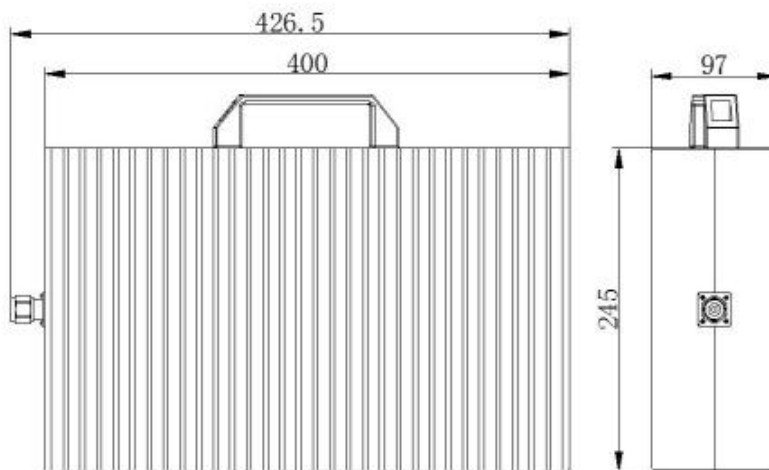
1. The input power should comply with the requirements of the power derating curve.

N, DC-6GHz, 500W

Electrical Specifications

- ✧ **Nominal Impedance:** 50Ω
- ✧ **Average Power:** 500W
- ✧ **Peak Power:** 10KW (5μs Pulse, 5% Duty Cycle)
- ✧ **Connector Type:** N (Male or Female)
- ✧ **Operating Temperature:** -55℃ to +125℃
- ✧ **Dimension:** 400x245x97mm (M/F)
- ✧ **Net Weight:** 10kg
- ✧ **RoHS Compliant**

Outline Drawing (mm)



| Part Number | Frequency Range(GHz) | VSWR (Max.) | Peak Power (KW) | Dimension (mm) |
|----------------|----------------------|-------------|---------------------------------------|-----------------|
| CT50-500-N-3-A | DC-3 | 1.30 | 10KW (5μS Pulse Width, 5% Duty Cycle) | 400x245x97(M/F) |
| CT50-500-N-6-A | DC-6 | 1.45 | | |

Notes:

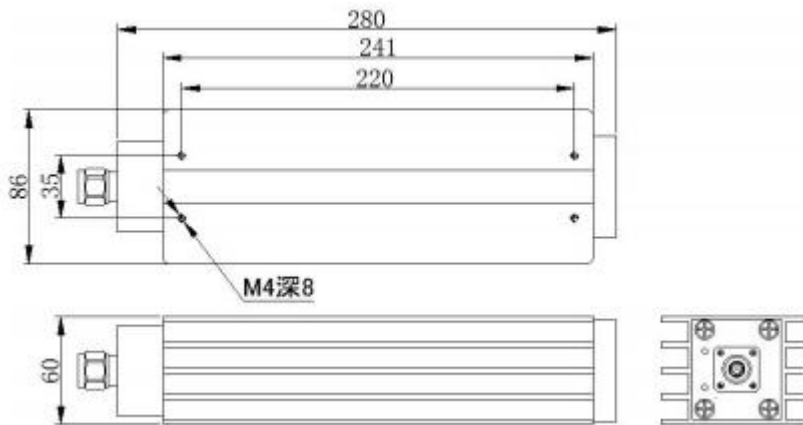
1. The input power should comply with the requirements of the power derating curve.

N, DC-18GHz, 500W

Electrical Specifications

- ◇ **Nominal Impedance:** 50Ω
- ◇ **Average Power:** 500W
- ◇ **Peak Power:** 5KW (5μs Pulse, 1% Duty Cycle)
- ◇ **Connector Type:** N (Male or Female)
- ◇ **Operating Temperature:** -55℃ to +125℃
- ◇ **Dimension:** 280x86x60mm (M/F)
- ◇ **Net Weight:** 3.0kg
- ◇ **RoHS Compliant**

Outline Drawing (mm)



| Part Number | Frequency Range(GHz) | VSWR (Max.) | Peak Power (KW) | Dimension (mm) |
|-------------------|----------------------|-------------|--------------------------------------|-----------------|
| CT50-500-N-6-B | 2-4 | 1.25 | 5KW (5μS Pulse Width, 1% Duty Cycle) | 280x86x60 (M/F) |
| CT50-500-N-12.4-B | 6-12.4 | 1.30 | | |
| CT50-500-N-18-B | 12.4-18 | 1.45 | | |

Notes:

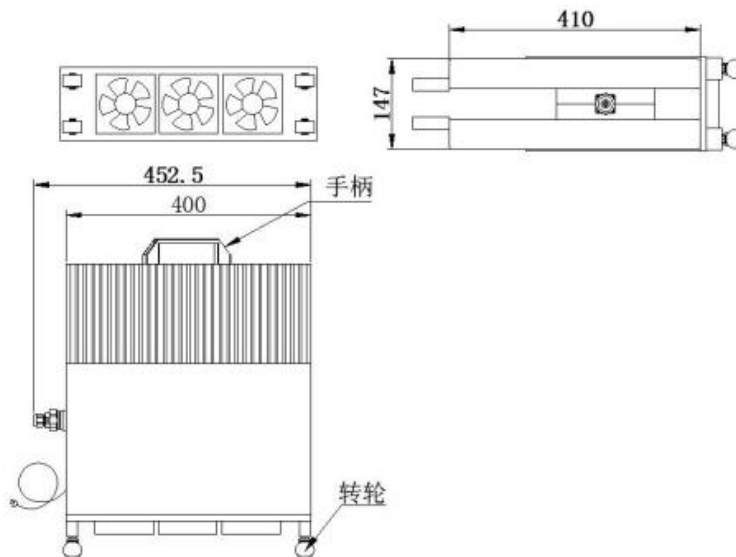
1. The input power should comply with the requirements of the power derating curve.

N, DC-4GHz, 1000W

Electrical Specifications

- ◇ **Nominal Impedance:** 50Ω
- ◇ **Average Power:** 1000W
- ◇ **Peak Power:** 10KW (5μs Pulse, 10% Duty Cycle)
- ◇ **Connector Type:** N (Male or Female)
- ◇ **Operating Temperature:** -55℃ to +125℃
- ◇ **Dimension:** 400x410x147mm (M/F)
- ◇ **Heat Dissipation Mode:** Fan Cooling
- ◇ **Power Supply Mode:** AC-220V±10%, 50Hz
- ◇ **Net Weight:** 25kg
- ◇ **RoHS Compliant**

Outline Drawing (mm)



| Part Number | Frequency Range(GHz) | VSWR (Max.) | Peak Power (KW) | Dimension (mm) |
|-----------------|----------------------|-------------|--|------------------|
| CT50-1000-N-3-A | DC-3 | 1.30 | 10KW (5μS Pulse Width, 10% Duty Cycle) | 400x410x147(M/F) |
| CT50-1000-N-4-A | DC-4 | 1.40 | | |

Notes:

1. The input power should comply with the requirements of the power derating curve.