

Wired Vehicle GPS Tracker

Product User Manual

Model: J16

Version: V1.0

Legal Notices:

Firstly, thank you for using this product. If you have agreed to the following terms, you will get the support and services we provide. When you have any doubts about this, please call us. If you cannot accept the following terms, please stop using this manual.

The ownership of this manual belongs to the dealer. Any rights not expressly granted in this manual are reserved. Without the prior written permission of the distributor, any unit or individual shall not copy, transmit, distribute, use or leak the manual and any pictures, tables, data

and other information contained in the manual without the prior written permission of the distributor.

Without the prior written consent of the distributor, reading this document does not imply that the reader is granted any right to use any mark appearing in this document by implied, inevitable or other means.

The storage and use of this product shall comply with the requirements of the product manual, relevant contracts or relevant laws and regulations.

The distributor reserves the right to modify and improve the products described in this manual without prior notice; at the same time, it reserves the right to revise or withdraw this manual at any time. If there is any unclear text in this user manual, please consult with agents and sellers in time.

Special Statement: This product is only used for terminal vehicle anti-theft, and it is forbidden to be used for illegal purposes, otherwise all legal responsibilities arising therefrom shall be borne by the user.

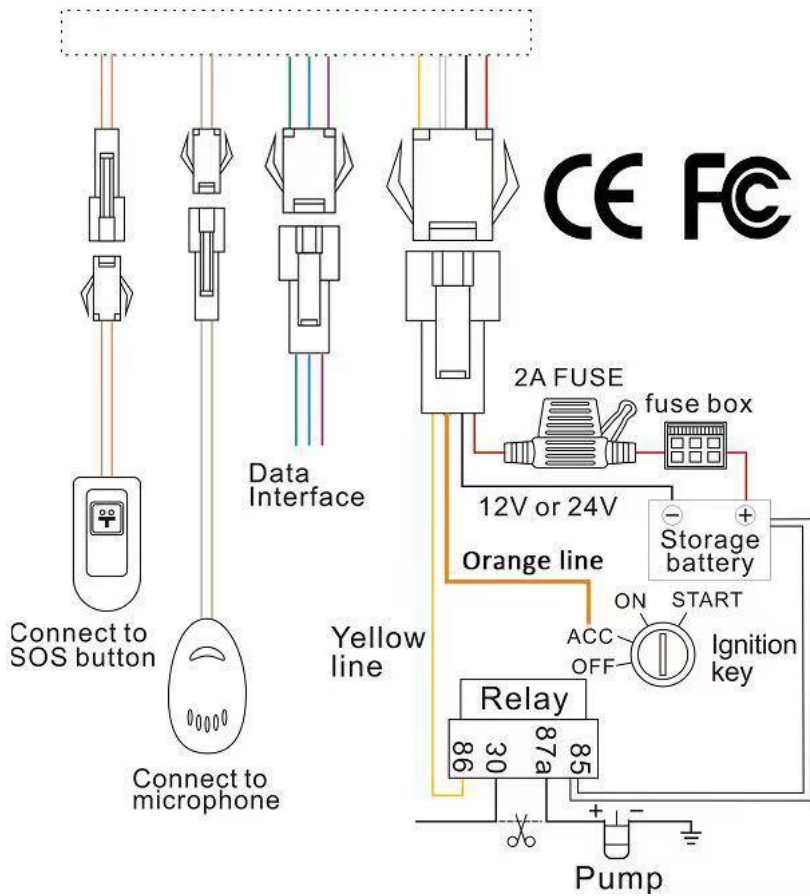
Contents

1. Product Features	3
2. Product Installation Description	4
3. Product Parameters	4
4. Product Parameters	4
5. Product General Functions	6
6. Analysis and Troubleshooting of Common Problems	6
7. Precautions	7
8. After-Sales Services	8

1. Product Features

- 4G Netcom with built-in antenna, highly integrated design
- Working Voltage 9V-90V
- Real Time Tracking & Positioning, Historical Traces Playback.
- GPRS / SMS (SMS query notification), monitoring with R/C.
- Power Failure Alarm, Over Speed Alarm, Displacement Alarm.
- Vibration Alarm, Geo-Fence Alarm.
- Mini Shape with free installation.
- Blind spot supplementary report, corner compensation.
- GPS+BD+LBS triple positioning methods.

2. Installation Instructions



4. Product Parameters

Specifications	Parameters
Dimensions	90.6*57*20 mm
Weight	68g (Includes Battery)
Built-in Battery	140mAH (Options with battery)
Working Voltage	9-95V DC
Working Temperature	- 20°C to + 60°C
Storage Temperature	- 20°C to + 70°C
Sensor	Precision Vibration Sensor

Bands	LTE-FDD B1/B2/B3/B4/B5/B7/B8/B28/B66 GSM 850/900/1800/1900MHz
GSM Module Brand / Chip Model	SIMCOM7670SA
GPS Module Brand / Chip Model	SIMCOM7670SA
Root Mean Square Error	S Degree
Output Power Max.	EGSM900:33dBm±2dB/5dBm±5dB DCS1800:30dBm±2dB/0dBm±5dB EGSM900 (8-PSK): 27dBm±3dB/5dBm±5dB DCS1800 (8-PSK): 26dBm±3dB/0dBm±5dB WCDMA B1/B5/B8: 24dBm+1/-3dB/<-49dBm LTE-FDD B1/B3/B5/B8: 23dBm±2dB/<-39dBm LTE-TDD B34/B38/B39/B40/B41: 23dBm±2dB/<-39dBm
Dynamic Output Range	-15~-108dbm
Receiving Sensitivity	-107dbm
Maximum Frequency Error	±0.1ppm
Sensitivity	Cold Start: -145 dbm Hot Start: -156 dbm Warm Start: -145 dbm Navigation: -160 dbm Tracking: -162 dbm
Positioning Accuracy	<5m
First Positioning Time	Cold Start: Average 32s
GSM Antenna	Built-in
GPS Antenna	Built-in
LED Indicator	Power Indicator,Status Indicator
Transfer Protocol	TCP
Power Detection	Upload alarm data while main power is disconnected
Data Reporting	Update GPS data in real time and support customer customization
Geo-Fence	TBD

Driving Behavior Detection	When the vehicle speed exceeds the set speed, upload over speed alarm
GPS Data	Real-time location update
Vibration Alarm	Vehicle vibration report in fortified state

5 . Product General Functions

Content	Functions	Description
Positioning Function	4G Network	Support 4G network, efficient transmission in 1 second, faster and more accurate.
	Timing Tracking	Return positioning information such as latitude and longitude according to the set time interval.
	Street View Map	360-degree HD map without dead ends
	Overspeed Alarm	When the car is over speeding, the tracker will send an alarm to your mobile phone
	Vibration Alarm	Built-in vibration sensor, the vehicle will vibrate continuously, and the device will send an alarm immediately
	Geo-Fence	If the driving range of the car exceeds the prescribed area, an alarm message will be sent to the platform
	Historical Traces	Can replay 90 days of driving trajectory, replay the current vehicle speed, direction stay time, etc.
	Fleet Management	One mobile phone is available for managing multiple devices, or one device can be managed by multiple mobile phones

6. Analysis and Troubleshooting of Common Problems

The device properly works when the yellow and blue indicator are always on without

flickering. Please try following steps to solve the issues when the indicators are flickering.

Failure Phenomenon	Analysis	Methods
Blue Indicator Flashes Slowly	Judge whether to use the terminal in areas with poor GPS signals, such as near high-rise buildings or underground parking lots	Drive the vehicle to a location with good signal and use the terminal
	Judge whether the front windshield of the vehicle has a metal insulation film that affects the signal reception	If there is a film, change the device to another vehicle to test whether the blue light is always on. If there is no problem with the test on other vehicles without film, it is caused by the vehicle filming
	Judge whether there are jammers or signal jammers on or around the car	If there is a jammer or interference source, remove the jammer or interference source and try to reinstall it
Blue Indicator Flashes Quickly	Chip failure	Return to factory for repairing
Yellow Indicator Flashes Quickly	Confirm whether the SIM card is well installed	Check if the SIM card is installed in place
	Confirm whether there is dirt or poor contact on the metal surface of the SIM card	Wipe the metal chip surface with a clean cloth or insert and remove the card several times
Yellow Indicator Flashes Slowly	Confirm whether the vehicle is in a place without a mobile network, such as an underground parking lot	Please drive the vehicle to a place with good network signal and try to reinstall
	Confirm whether the server is normal	Confirm the management of platform server if it normally works
	Confirm whether the SIM card status is normal	Check the status of the card through the SIM card query platform

	Judge whether there are jammers or signal jammers on or around the car	If there is a jammer or interference source, remove the jammer or interference source and try to reinstall it
--	--	---

7. Precautions

1. Please pay attention to waterproof for electronic products.
2. Please insert the SIM card before installation and make sure that the SIM card has no password set, otherwise the device will not work normally.
3. Please pay attention to waterproof for electronic products.
4. Please insert the SIM card before installation and make sure that the SIM card has no password set, otherwise the device will not work normally.
5. Do not expose the equipment to liquids or operate with wet hands.
6. Do not throw the equipment into the fire
7. The equipment may not work when the temperature is lower than -20°C or higher than +60°C.
8. When the device is directly plugged into the OBD interface to affect the operation of the driver, please use an extension cord to lead it to a safe position.
9. When the vehicle is in an underground parking lot, tunnel or garage, it will affect the positioning signal. And there may be a blind zone of the communication network signal that can cause the equipment to be unable to monitor; when the vehicle drives out of the above area, the equipment will automatically resume normal operation.
10. Please don't repair it yourself if you encounter any abnormal situation. The manufacturer is not responsible for damage caused by connecting non-original accessories or unplugging the connections between components.
11. This product is a safe driving assistance product, and any loss caused by malfunction or loss of information has nothing to do with our company.
12. This product has passed the international CE certification, but because of the complex electromagnetic environment in the car, this product may cause

electromagnetic interference with the electrical equipment in the car in some models.

13. Do not install or operate this product while the vehicle is driving.

14. Please do not connect the uninterrupted power supply without authorization, otherwise it may cause the car or the product to malfunction. For installation matters, please be sure to consult a professional.

15. Do not subject this product to strong impact or vibration, so as to avoid damage to the product, which may result in malfunction or inoperability.

16. The temperature range for the normal use of this product is -20 degrees Celsius to 65 degrees Celsius. Exceeding this temperature range may cause the product to malfunction, catch fire or explode.

8. After-Sales Services

1. This product enjoys a three-month replacement and one-year warranty service from the date of shipment. If the equipment is damaged due to non-human factors or product quality during the warranty period, please contact the dealer in time for handling.

2. Damages caused by customers' unauthorized dismantling or force majeure (such as floods, vehicle accidents) will not be repaired.

3. After the warranty period expires, due to product damage or malfunction caused by use, you need to charge the cost of repair materials.

4. Provide customers with consultation and technical services such as product purchase, use, and APP installation for free.