

PRODUCT SELECTION MANUAL



Industrial IoT lock Solution Provider

CORPORATE INTRODUCTION

Xuzhou CRAT Electronic Technology Co., Ltd. was established in 2016, specializing in the research and development, manufacturing, and sales of IoT locks, providing customers with professional smart lock group management solutions.

The company is located in Xuzhou Economic and technological Development Zone, Liandong U Valley Industrial Park, with a total area of more than 2600 square meters and an annual production capacity of not less than 1 million sets.

The company now has more than 30 R & D engineers, covering industrial design, structural design, application software design, embedded software and hardware design, etc., can achieve independent research and development of the whole process. The company supports OEM, ODM and other forms of cooperation, support custom development.

Main products: passive intelligent lock series, Internet of Things lock series, intelligent manhole cover series, Internet of Things lock management system, all products have passed the Ministry of Public Security type inspection.

Application fields: communication, power, finance, oil/petrochemical, railway, logistics, municipal, military, medical, etc.



QUALIFICATION & HONOR

CRAT won the "high-tech enterprise" in 2019, and passed the GB/T19001-2016/ISO9001:2015 quality, environment, occupational health and safety three management system certification. At the same time, our company has obtained a number of 3A enterprise certification. In the field of intelligent manhole cover, won the title of "Top Ten enterprises".



National High-tech Company



GB/T19001-2016/ISO9001:2015 Quality Management System Certification



GB/T19001-2016/ISO9001:2015 Environmental management system certification



GB/T19001-2016/ISO9001:2015 occupational health and safety management system certification.



AAA valuing service and keeping promise



AAA valuing quality and keeping promise



AAA Quality Service Integrity



AAA re-contract and trustworthy enterprise



AAA operate with sincerity and honesty unite



AAA grade credit enterprise



Top 10 brands in intelligent manhole cover



Top 10 brands in intelligent manhole cover electronic lock



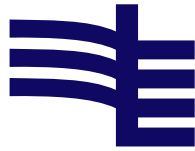
AAA credit enterprise

PATENT

CRAT has more than 80 invention patents, software Copyrights, utility model patents, appearance patents, etc., which is in the forefront of the industry.



PARTNERS & DEVELOPMENT



2017~2019 Annual shipments of 100,000 sets

Won the national "High-tech Enterprise" certification

Won 40% of China Tower orders that year

Jiangsu power market share reached 95%

2020~2022 Annual shipments of 300,000 sets

Top ten enterprises of electric manhole cover

Won 80% of China Tower orders that year

Intelligent manhole cover products Service Beijing Winter Olympics

.....

APPLICATION

CRAT's self-developed intelligent lock + intelligent lock control system integrates the concept of the Internet of Things in terms of intelligence, convenience and safety compared with traditional locks

It is widely used in power, communication, finance, oil/petrochemical, railway, logistics, municipal, medical, military and other fields.



MANAGEMENT SYSTEM

Convenient

Support remote control
Supports multi-platform operations

Security

Full data encryption
Process traceability

Comprehensive

Comprehensive and versatile
State flow visualization

Extensible

Support function expansion
Support for third-party platforms

Client

Mobile client

PC client

Server/Database

Communication

2G/3G/4G/NB
Base station

Issue authorization

Upload data

Key/Control gateway

NB controller

RS485/FSU

APP

Bluetooth

4G key

NB unlock

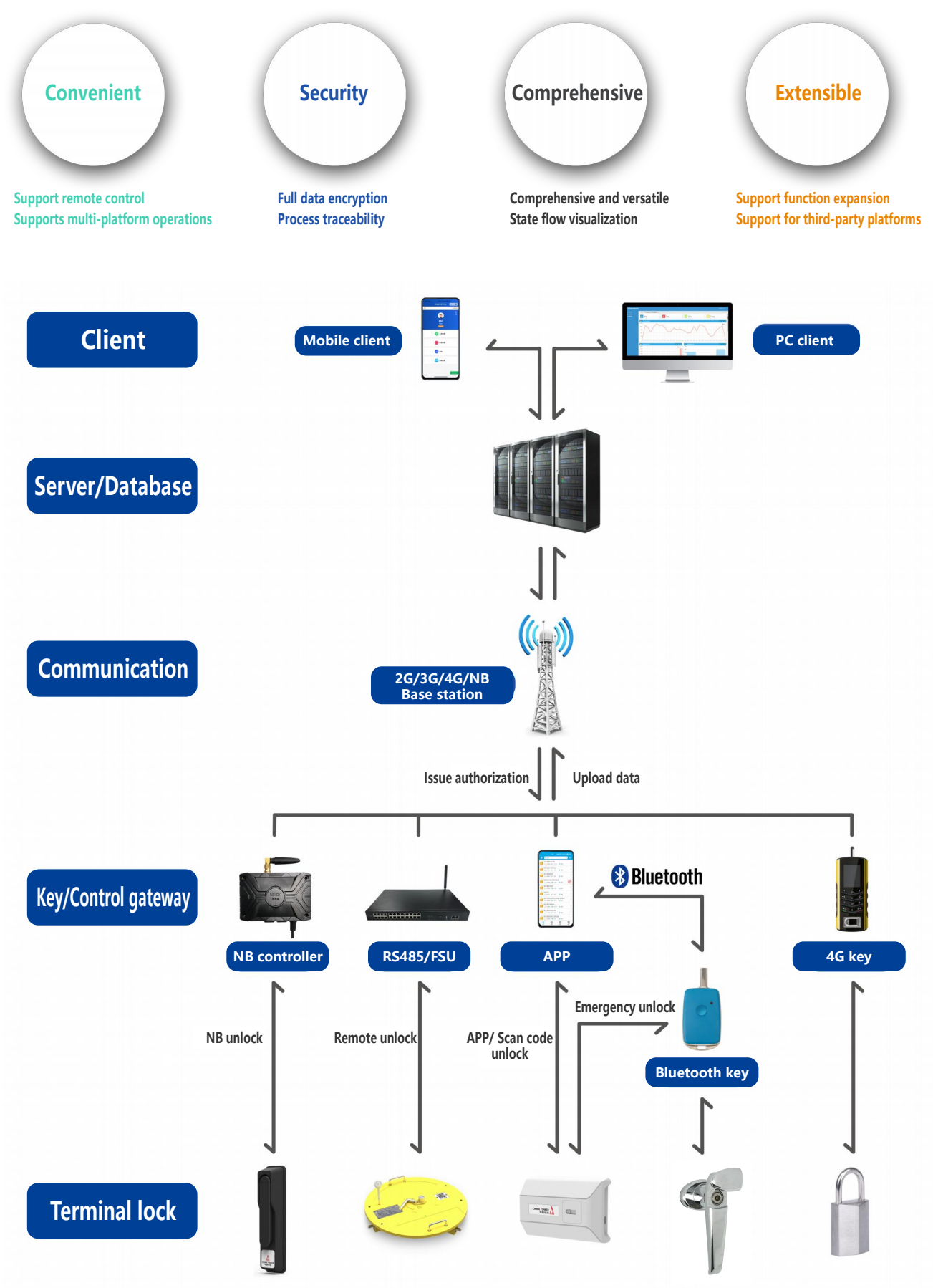
Remote unlock

APP/ Scan code
unlock

Emergency unlock

Bluetooth key

Terminal lock

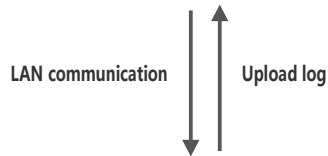


SOLUTION

Power — LAN application



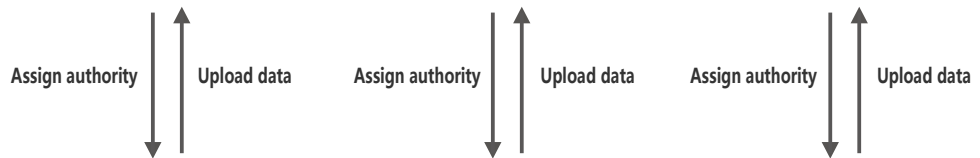
Database



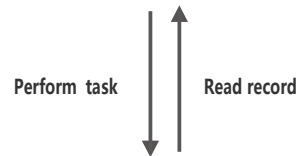
PC client



Connect the key via the data cable



Bluetooth key



Passive lock

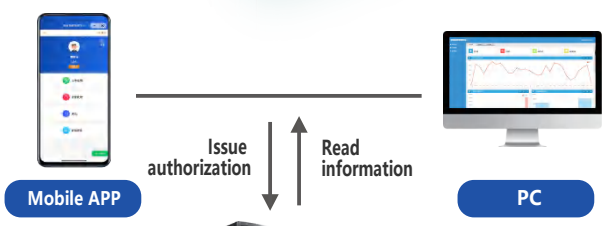


SOLUTION

Power — Box transformer



Client (Administrator)

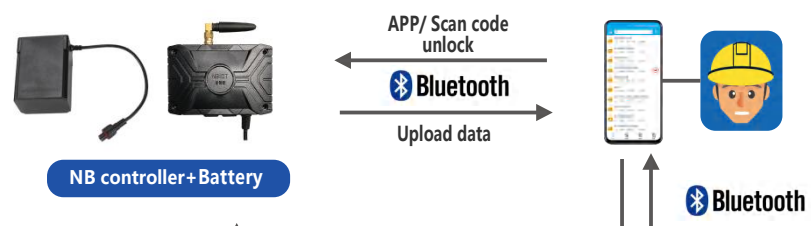


Server/Database

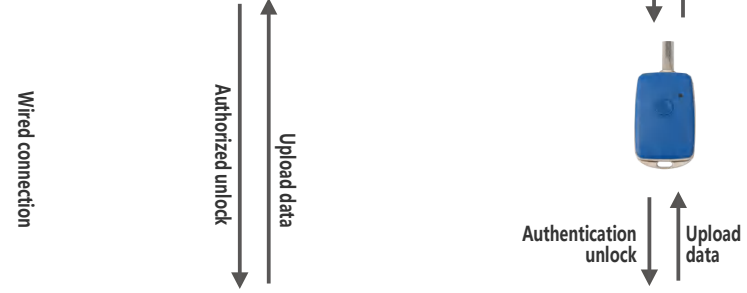
Communication base station



NB controller/APP



Bluetooth Key



Equipment terminal



SOLUTION

Operator — NB Cable box

Client (Administrator)

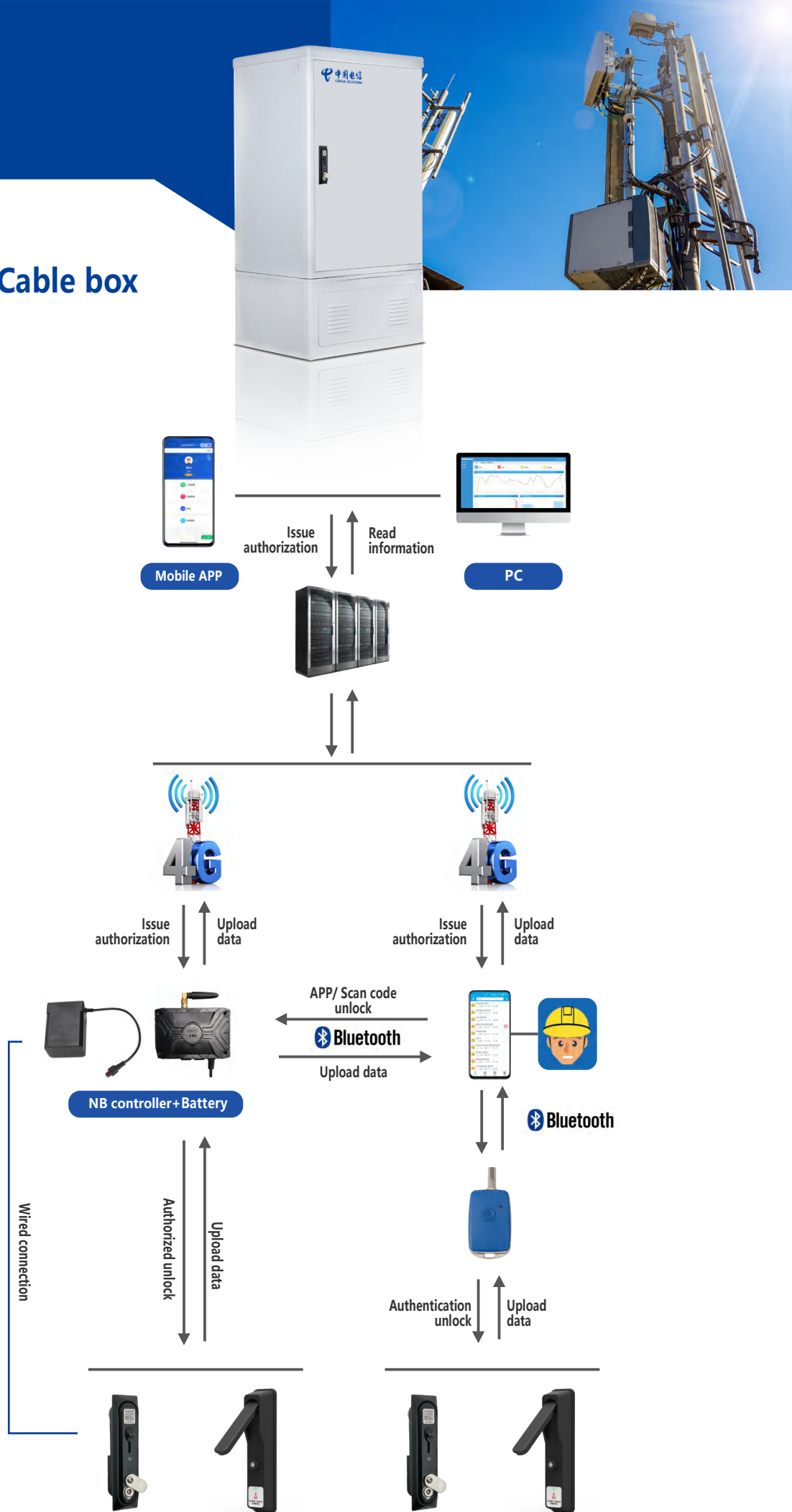
Server/Database

Communication base station

NB controller/APP

Bluetooth Key

Equipment terminal

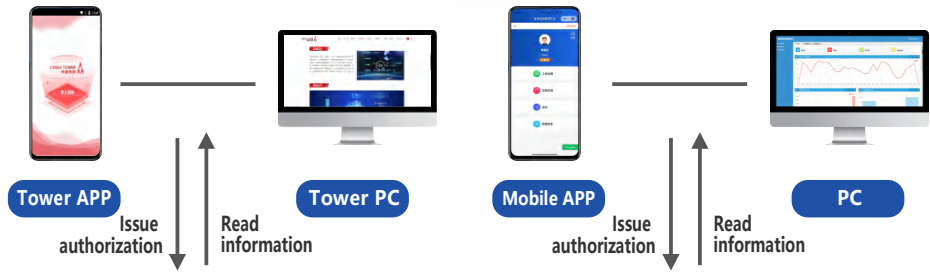


SOLUTION

China Tower — Base station



Client (Administrator)



Server/Database



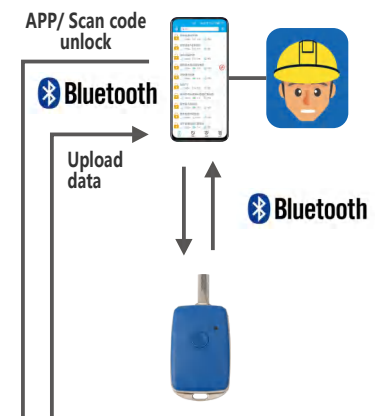
Communication base station



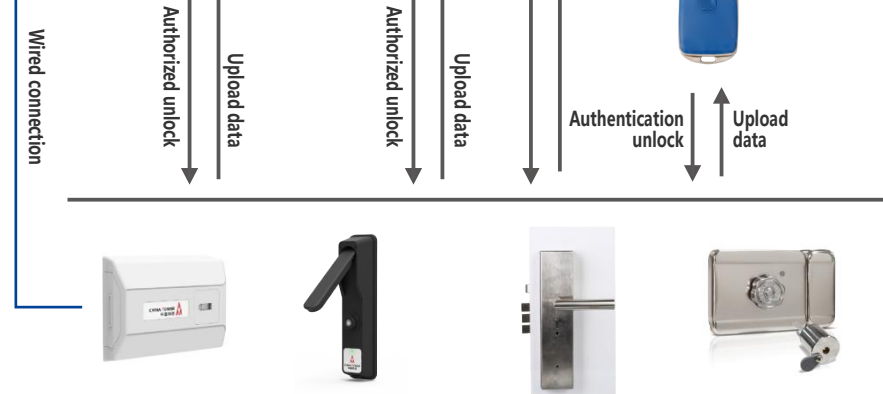
FSU/APP



Bluetooth Key



Equipment terminal

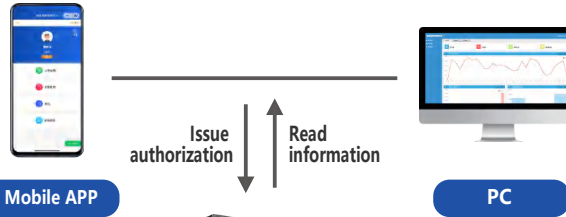


SOLUTION

Intelligent manhole cover



Client (Administrator)



Server/Database

Communication base station



APP

APP/ Scan code unlock

Bluetooth

Upload data

Bluetooth

Bluetooth Key

Wireless power supply

Wireless power supply key

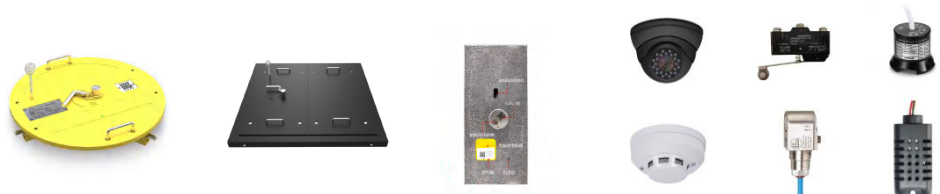
Authentication unlock

Upload data

Authorized unlock

Upload data

Equipment terminal



PRODUCT LIST

Passive padlock	CRT-G105T	CRT-G400T	Bluetooth padlock	CRT-G400L	CRT-G200L	
Base station Anti theft lock	CRT-FQ500	Idling cabinet lock	CRT-MSJ873	CRT-MSJ874	Floating cabinet lock	
Bluetooth Spiritual lock	CRT-MSL100L	CRT-CL100	Anti-theft door lock	External door lock	Steel door lock	
Cabinet lock	CRT-MSJ826	CRT-MSJ8696	CRT-MSJ830	CRT-MSJL845-1	CRT-MSJ845-2	CRT-MSJ845-3
CRT-MSJ828	CRT-MSJ869-2	CRT-MSJ739	CRT-MSJ713	CRT-MSJ731	CRT-MSJ730	CRT-MSJ603
Box transformer lock	CRT-MS888	CRT-MS887	Cylinder lock	CRT-Y100(M22)	CRT-Y200(M18)	
Intelligent manhole cover	CRT-JG600N/700N/900N	CRT-JG800FN	CRT-JG800FN-W			
NB controller	CRT-RC-100					
Anti-theft door lock core	CRT-H100	Fire door lock core	CRT-F100	handle lock	CRT-B100	
Intelligent key	CRT-K100L	CRT-K102L	CRT-K104-4G	CRT-K106L	CRT-K108L-W	

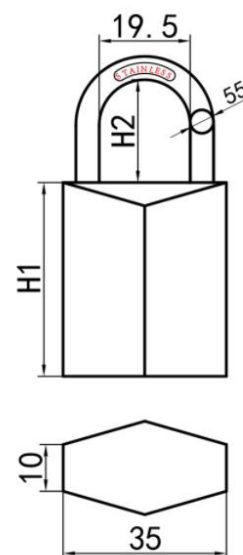
CRT-G105T Passive Padlock



Technical Parameter

Lock body material	304Stainless steel
Lock core material	304Stainless steel
Operating voltage	3V-5.5VDC
Operating environment	-40~80°C ,20%-98%RH
Switching life	300000 times
Storage capacity	22pcs (lock/unlock/patrol)
Protection level	IP67
Lock core style	Hexagon Hole 360°idling preventing violent unlock
Technology	Adopting digital encoding technology and encrypted communication technology
Mutual unlock	128digit encoding with zero mutual unlock
Unlocking mode	Electronic key unlocking

Structure size



Application

Communication, electricity, banking, oil, railway, municipal, logistics and other places with a large number of locks management.

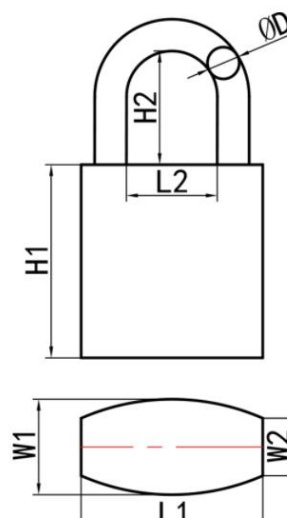
CRT-G Series Passive Padlock



Technical Parameter

Lock body material	304Stainless steel
Lock core material	304Stainless steel
Operating voltage	3V-5.5VDC
Operating environment	-40~80°C ,20%-98%RH
Switching life	300000 times
Storage capacity	22pcs (lock/unlock/patrol)
Protection level	IP67
Lock core style	Skip beam: 360 idle, Record: Record lock/unlock
Technology	Adopting digital encoding technology and encrypted communication technology
Mutual unlock	128digit encoding with zero mutual unlock
Unlocking mode	Electronic key unlocking

Structure size



Selection table

NO.	Model	Name	L1	L2	W1	W2	H1	H2	D
1	CRT-G100T	33 Skip beam	33	19.5	18.5	10	41.5	20.5	4.5
2	CRT-G200T	40 Skip beam	40	20	21	12.7	44	25	7
3	CRT-G200	40 Record	40	20	21	12.7	42.5	25	7
4	CRT-G300T	50 Skip beam	50	25	22	12.8	46.5	25	9
5	CRT-G300	50Record	50	23	22	12.8	44	23	9
6	CRT-G400T	60 Skip beam	60	31	23	14.2	50	32	10
7	CRT-G400	60 Record	60	29	23	14.2	48	32	10

Application

Communication, electricity, banking, oil, railway, municipal, logistics and other places with a large number of locks management.

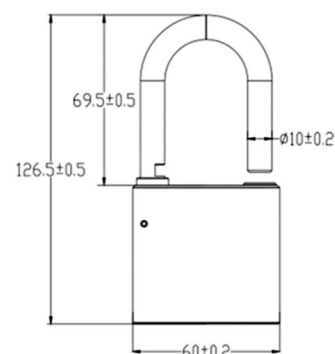
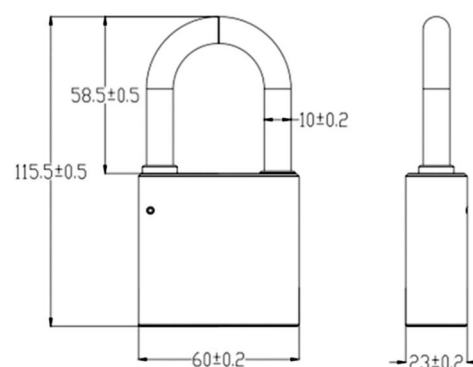
CRT-G400L-60 Bluetooth Padlock



Technical Parameter

Lock body material	304Stainless steel, Surface drawing
Operating voltage	3V-5.5VDC
Operating environment	-30°C~80°C ,20%-98%RH
Switching life	100000 times
Storage capacity	22pcs (lock/unlock/patrol)
Protection level	IP67
Technology	Adopting digital encoding technology and encrypted communication technology
Mutual unlock	128digit encoding with zero mutual unlock
Battery capacity	700mAh(rechargeable) / 1200mAh(not rechargeable)
Battery life	> 2 years
Communication	Bluetooth 4.0
Unlocking mode	Bluetooth unlock, electronic key emergency unlock

Structure size



Application

Communication, electricity, banking, oil, railway, municipal, logistics and other places with a large number of locks management.

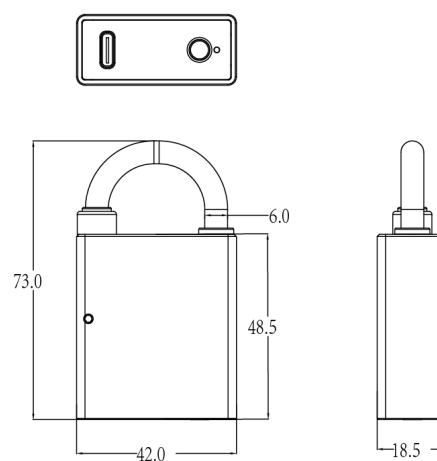
CRT-G200L-40 Bluetooth Padlock



Technical Parameter

Lock body material	304Stainless steel, Surface drawing
Operating voltage	3V-5.5VDC
Operating environment	-30°C~80°C ,20%-98%RH
Switching life	100000 times
Storage capacity	22pcs (lock/unlock/patrol)
Protection level	IP67
Technology	Adopting digital encoding technology and encrypted communication technology
Mutual unlock	128digit encoding with zero mutual unlock
Battery capacity	700mAh(rechargeable) / 1200mAh(not rechargeable)
Battery life	> 2 years
Communication	Bluetooth 4.0
Unlocking mode	Bluetooth unlock, electronic key emergency unlock

Structure size



Application

Communication, electricity, banking, oil, railway, municipal, logistics and other places with a large number of locks management.

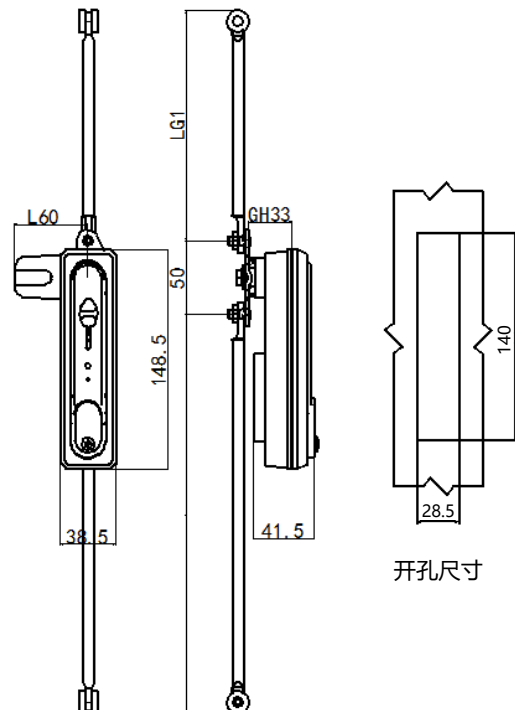
CRT-MSJ869-2C Cabinet lock



Technical Parameter

Lock body material	Eco-friendly 4# zinc alloy
Lock core material	304SUS
Opening direction	Adjustable left/right door opening
Handle torque	≥46Nm
Operating voltage	12VDC
Operating temperature	-40~80°C
Operating humidity	20%-98%RH
Switching life	300000 times
Lock core style	Electronic/mechanical lock cylinder
Protection level	IP65
Unlocking mode	Remote unlocking (external expansion required), Bluetooth unlocking, RS485 unlocking, emergency key unlocking

Structure size



Application

Cable box, charging pile, protection cabinet, switch cabinet, automation and communication cabinet, filing cabinet, file cabinet, etc.

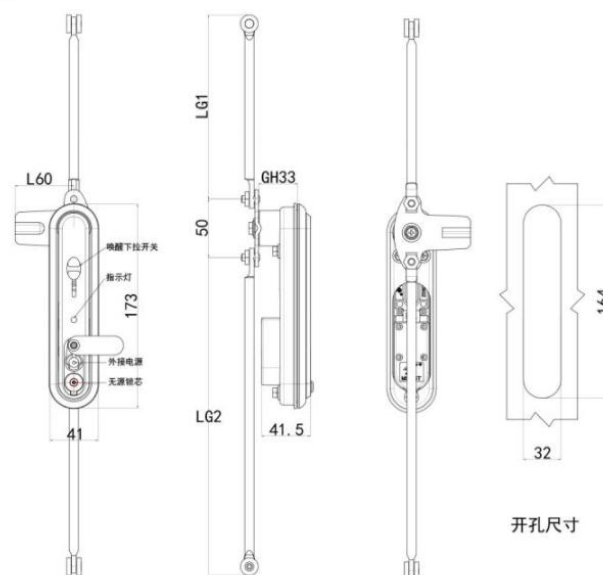
CRT-MSJ8696W Cabinet lock



Technical Parameter

Lock body material	Eco-friendly 4# zinc alloy
Lock core material	304SUS
Opening direction	Adjustable left/right door opening
Handle torque	≥46Nm
Operating voltage	12VDC
Operating temperature	-40~80°C
Operating humidity	20%-98%RH
Switching life	300000 times
Lock core style	Electronic/mechanical lock cylinder
Protection level	IP65
Unlocking mode	Remote unlocking (external expansion required), Bluetooth unlocking, RS485 unlocking, emergency key unlocking

Structure size



Application

Cable box, charging pile, protection cabinet, switch cabinet, automation and communication cabinet, filing cabinet, file cabinet, etc.

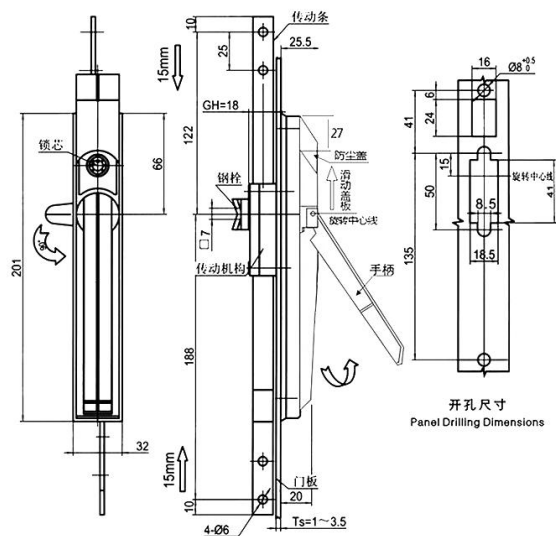
CRT-MSJ830 Passive Cabinet lock



Technical Parameter

Operating voltage	3V-5.5VDC (Lock core)
Operating temperature	20%~98%RH
Operating humidity	-40°C~80°C
Lock body material	Eco-friendly 4# zinc alloy
Lock core material	304SUS
Lock core style	Electronic lock cylinder
Opening direction	Adjustable left/right door opening
Storage capacity	22pcs (lock/unlock/patrol)
Switching life	≥300000 times
Protection level	IP68
Salt spray test	Meet GB/T2423 standard requirements
Unlocking mode	Electronic key unlocking

Structure size



Application

Cable box, charging pile, protection cabinet, switch cabinet, automation and communication cabinet, screen cabinet, electric control box, filing cabinet, etc.

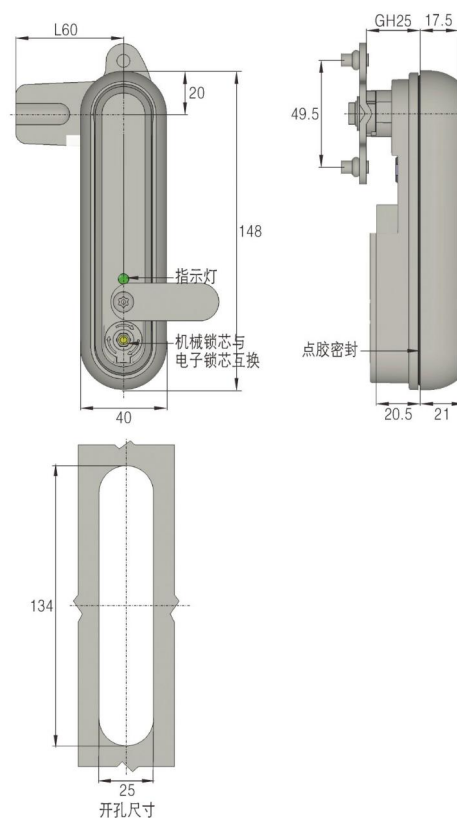
CRT-MSJ826 Passive Cabinet lock



Technical Parameter

Operating voltage	3V-5.5VDC (Lock core)
Operating temperature	20%~98%RH
Operating humidity	-40°C~80°C
Lock body material	Eco-friendly 4# zinc alloy
Lock core material	304SUS
Lock core style	Electronic lock cylinder
Opening direction	Adjustable left/right door opening
Storage capacity	22pcs (lock/unlock/patrol)
Switching life	≥300000 times
Protection level	IP68
Salt spray test	Meet GB/T2423 standard requirements
Unlocking mode	Electronic key unlocking

Structure size



Application

Cable box, charging pile, protection cabinet, switch cabinet, automation and communication cabinet, screen cabinet, electric control box, filing cabinet, etc.

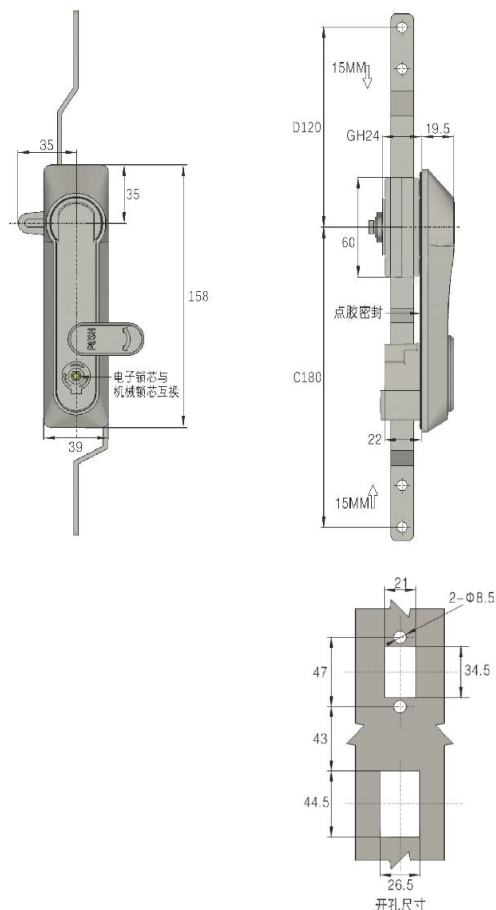
CRT-MSJ828 Passive Cabinet lock



Technical Parameter

Operating voltage	3V-5.5VDC (Lock core)
Operating temperature	20%~98%RH
Operating humidity	-40°C~80°C
Lock body material	Eco-friendly 4# zinc alloy
Lock core material	304SUS
Lock core style	Electronic lock cylinder
Opening direction	Adjustable left/right door opening
Storage capacity	22pcs (lock/unlock/patrol)
Switching life	≥300000 times
Protection level	IP68
Salt spray test	Meet GB/T2423 standard requirements
Unlocking mode	Electronic key unlocking

Structure size



Application

Cable box, charging pile, protection cabinet, switch cabinet, automation and communication cabinet, screen cabinet, electric control box, filing cabinet, etc.

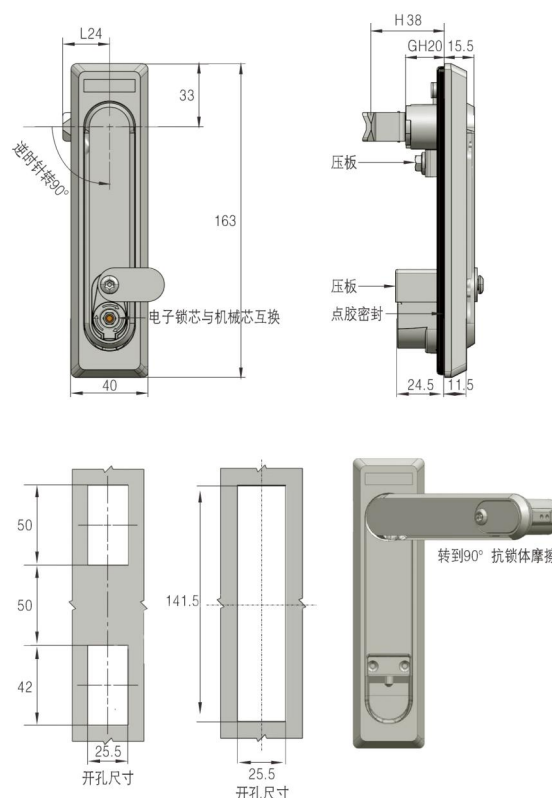
CRT-MSJ845-1 Passive Cabinet lock



Technical Parameter

Operating voltage	3V-5.5VDC (Lock core)
Operating temperature	20%~98%RH
Operating humidity	-40°C~80°C
Lock body material	Eco-friendly 4# zinc alloy
Lock core material	304SUS
Lock core style	Electronic lock cylinder
Opening direction	Adjustable left/right door opening
Storage capacity	22pcs (lock/unlock/patrol)
Switching life	≥300000 times
Protection level	IP68
Salt spray test	Meet GB/T2423 standard requirements
Unlocking mode	Electronic key unlocking

Structure size



Application

Cable box, charging pile, protection cabinet, switch cabinet, automation and communication cabinet, screen cabinet, electric control box, filing cabinet, etc.

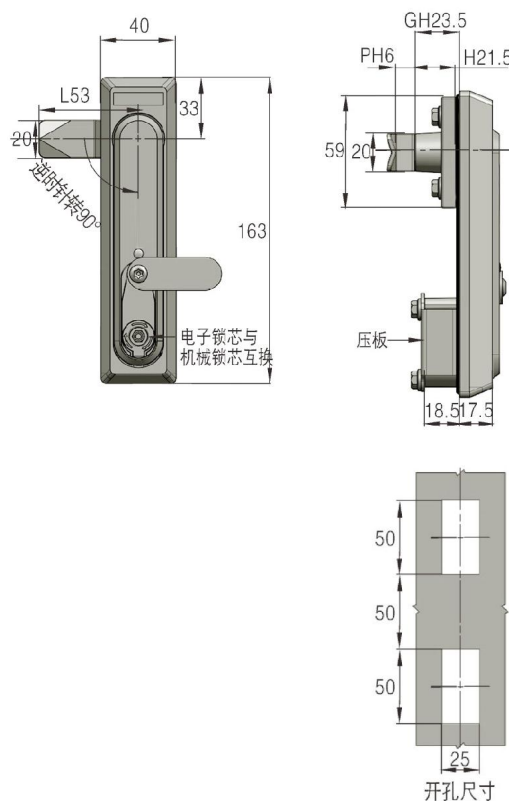
CRT-MSJ845-2 Passive Cabinet lock



Technical Parameter

Operating voltage	3V-5.5VDC (Lock core)
Operating temperature	20%~98%RH
Operating humidity	-40°C~80°C
Lock body material	Eco-friendly 4# zinc alloy
Lock core material	304SUS
Lock core style	Electronic lock cylinder
Opening direction	Adjustable left/right door opening
Storage capacity	22pcs (lock/unlock/patrol)
Switching life	≥300000 times
Protection level	IP68
Salt spray test	Meet GB/T2423 standard requirements
Unlocking mode	Electronic key unlocking

Structure size



Application

Cable box, charging pile, protection cabinet, switch cabinet, automation and communication cabinet, screen cabinet, electric control box, filing cabinet, etc.

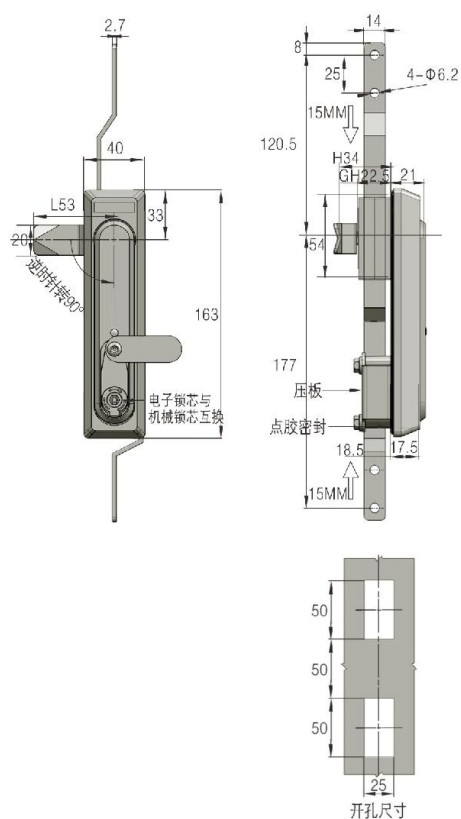
CRT-MSJ845-3 Passive Cabinet lock



Technical Parameter

Operating voltage	3V-5.5VDC (Lock core)
Operating temperature	20%~98%RH
Operating humidity	-40°C~80°C
Lock body material	Eco-friendly 4# zinc alloy
Lock core material	304SUS
Lock core style	Electronic lock cylinder
Opening direction	Adjustable left/right door opening
Storage capacity	22pcs (lock/unlock/patrol)
Switching life	≥300000 times
Protection level	IP68
Salt spray test	Meet GB/T2423 standard requirements
Unlocking mode	Electronic key unlocking

Structure size



Application

Cable box, charging pile, protection cabinet, switch cabinet, automation and communication cabinet, screen cabinet, electric control box, filing cabinet, etc.

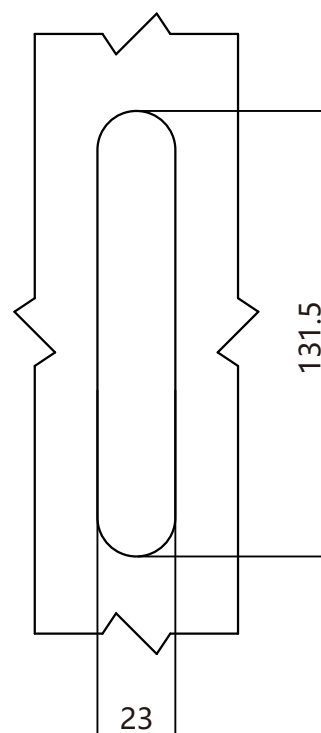
CRT-MSJ739 Passive Cabinet lock



Technical Parameter

Operating voltage	3V-5.5VDC (Lock core)
Operating temperature	20%~98%RH
Operating humidity	-40°C~80°C
Lock body material	Eco-friendly 4# zinc alloy
Lock core material	304SUS
Lock core style	Electronic lock cylinder
Opening direction	Adjustable left/right door opening
Storage capacity	22pcs (lock/unlock/patrol)
Switching life	≥300000 times
Protection level	IP68
Salt spray test	Meet GB/T2423 standard requirements
Unlocking mode	Electronic key unlocking

Structure size



Application

Cable box, charging pile, protection cabinet, switch cabinet, automation and communication cabinet, screen cabinet, electric control box, filing cabinet, etc.

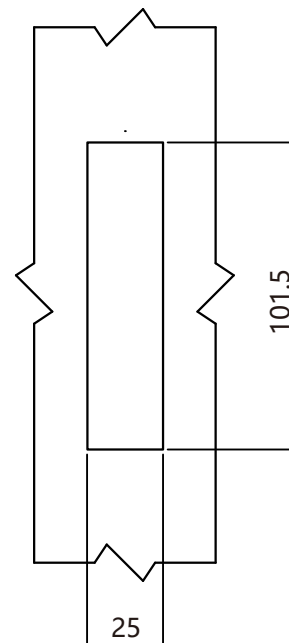
CRT-MSJ713 Passive Cabinet lock



Technical Parameter

Operating voltage	3V-5.5VDC (Lock core)
Operating temperature	20%~98%RH
Operating humidity	-40°C~80°C
Lock body material	Eco-friendly 4# zinc alloy
Lock core material	304SUS
Lock core style	Electronic lock cylinder
Opening direction	Adjustable left/right door opening
Storage capacity	22pcs (lock/unlock/patrol)
Switching life	≥300000 times
Protection level	IP68
Salt spray test	Meet GB/T2423 standard requirements
Unlocking mode	Electronic key unlocking

Structure size



Application

Cable box, charging pile, protection cabinet, switch cabinet, automation and communication cabinet, screen cabinet, electric control box, filing cabinet, etc.

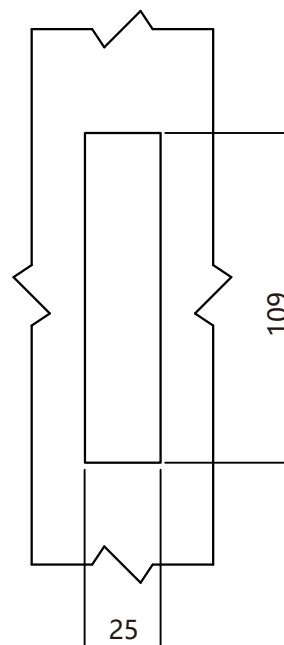
CRT-MSJ731 Passive Cabinet lock



Technical Parameter

Operating voltage	3V-5.5VDC (Lock core)
Operating temperature	20%~98%RH
Operating humidity	-40°C~80°C
Lock body material	Eco-friendly 4# zinc alloy
Lock core material	304SUS
Lock core style	Electronic lock cylinder
Opening direction	Adjustable left/right door opening
Storage capacity	22pcs (lock/unlock/patrol)
Switching life	≥300000 times
Protection level	IP68
Salt spray test	Meet GB/T2423 standard requirements
Unlocking mode	Electronic key unlocking

Structure size



Application

Cable box, charging pile, protection cabinet, switch cabinet, automation and communication cabinet, screen cabinet, electric control box, filing cabinet, etc.

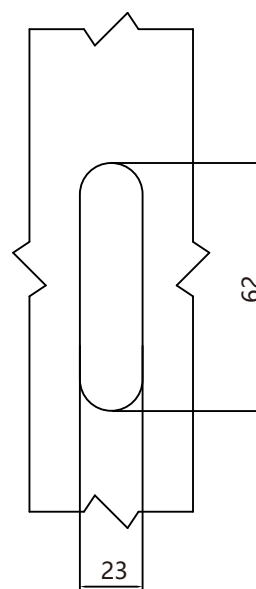
CRT-MSJ730 Passive Cabinet lock



Technical Parameter

Operating voltage	3V-5.5VDC (Lock core)
Operating temperature	20%~98%RH
Operating humidity	-40°C~80°C
Lock body material	Eco-friendly 4# zinc alloy
Lock core material	304SUS
Lock core style	Electronic lock cylinder
Opening direction	Adjustable left/right door opening
Storage capacity	22pcs (lock/unlock/patrol)
Switching life	≥300000 times
Protection level	IP68
Salt spray test	Meet GB/T2423 standard requirements
Unlocking mode	Electronic key unlocking

Structure size



Application

Cable box, charging pile, protection cabinet, switch cabinet, automation and communication cabinet, screen cabinet, electric control box, filing cabinet, etc.

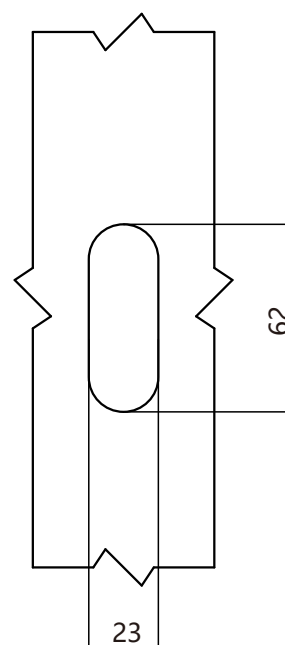
CRT-MSJ603 Passive Cabinet lock



Technical Parameter

Operating voltage	3V-5.5VDC (Lock core)
Operating temperature	20%~98%RH
Operating humidity	-40°C~80°C
Lock body material	Eco-friendly 4# zinc alloy
Lock core material	304SUS
Lock core style	Electronic lock cylinder
Opening direction	Adjustable left/right door opening
Storage capacity	22pcs (lock/unlock/patrol)
Switching life	≥300000 times
Protection level	IP68
Salt spray test	Meet GB/T2423 standard requirements
Unlocking mode	Electronic key unlocking

Structure size



Application

Cable box, charging pile, protection cabinet, switch cabinet, automation and communication cabinet, screen cabinet, electric control box, filing cabinet, etc.

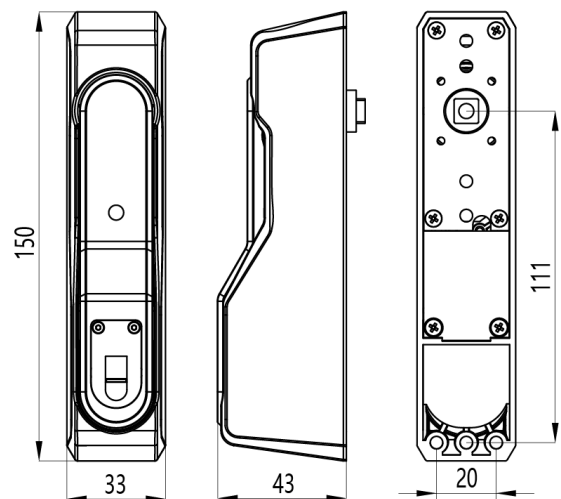
CRT-MSJ773 Passive Cabinet lock



Technical Parameter

Operating voltage	3V-5.5VDC (Lock core)
Operating temperature	20%~98%RH
Operating humidity	-40°C~80°C
Lock body material	Zinc alloy + engineering plastics
Lock core material	304SUS
Lock core style	Electronic lock cylinder (with dust cover)
Storage capacity	22pcs
Switching life	≥300000 times
Protection level	IP68
Salt spray test	Meet GB/T2423 standard requirements
Unlocking mode	Electronic key authorizes unlocking
Installation method	Floating type, compatible with a variety of connecting rods

Structure size



The cut-out size replaces 90% of cabinet locks

Application

Cable box, charging pile, protection cabinet, switch cabinet, automation and communication cabinet, screen cabinet, electric control box, filing cabinet, etc.

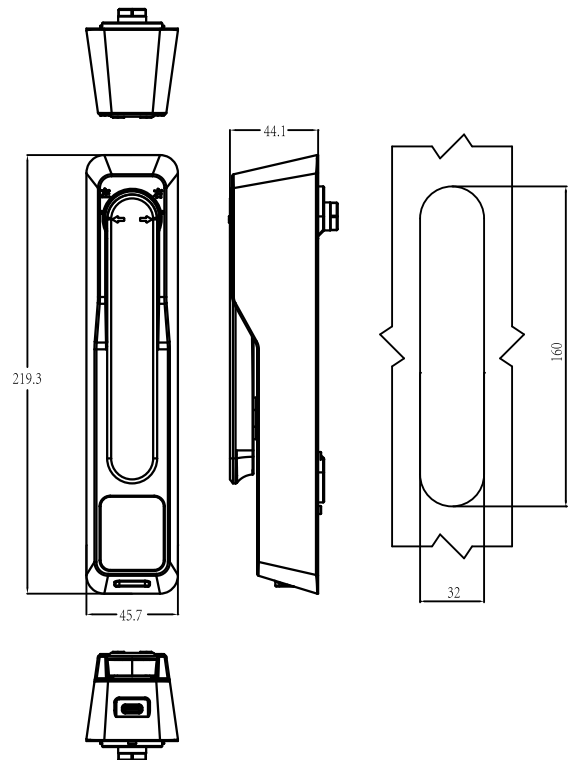
CRT-MSJ873 Idle cabinet lock (float type)



Technical Parameter

Operating voltage	12VDC
Operating environment	20%~98%RH,-40°C~80°C
Lock body material	Zinc alloy + aluminum alloy
Lock core material	304 stainless steel
Lock core style	Electronic lock cylinder, hidden
Storage capacity	4000pcs
Switching life	≥ 100,000 times
Protection level	IP65
Salt spray test	Meet GB/T2423 standard requirements
Functional features	360° idling handle, floating mounting
Unlocking mode	Remote unlocking, Bluetooth unlocking, electronic key unlocking

Structure size



Wiring instructions

Red	Black	Green	Yellow	Blue	White	Purple	Pink
12V+	GND	DO	DO	Cam	Cam	485B	485A

Application

Cable box, charging pile, protection cabinet, switch cabinet, automation and communication cabinet, screen cabinet, electric control box, filing cabinet, etc.

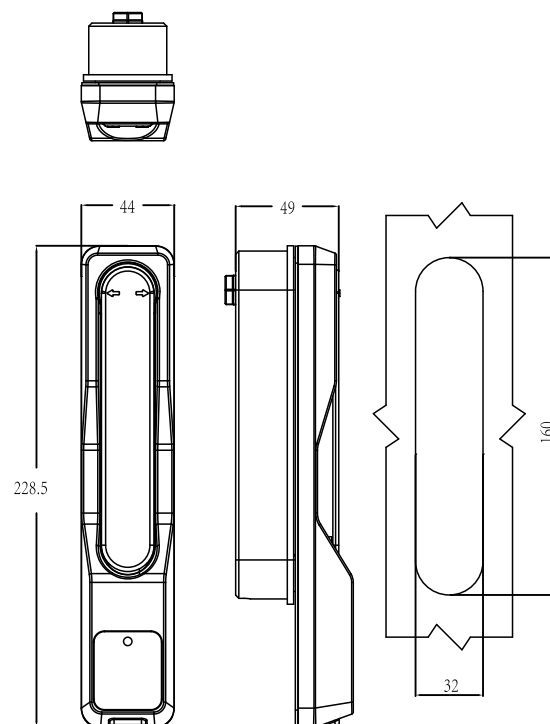
CRT-MSJ874 Idle cabinet lock (recessed)



Technical Parameter

Operating voltage	12VDC
Operating environment	20%~98%RH,-40°C~80°C
Lock body material	Zinc alloy + aluminum alloy
Lock core material	304 stainless steel
Lock core style	Electronic lock cylinder, hidden
Storage capacity	4000pcs
Switching life	≥ 100,000 times
Protection level	IP65
Salt spray test	Meet GB/T2423 standard requirements
Functional features	360° idling handle, recessed mounting
Unlocking mode	Remote unlocking, Bluetooth unlocking, electronic key unlocking

Structure size



Wiring instructions

Red	Black	Green	Yellow	Blue	White	Purple	Pink
12V+	GND	DO	DO	Cam	Cam	485B	485A

Application

Cable box, charging pile, protection cabinet, switch cabinet, automation and communication cabinet, screen cabinet, electric control box, filing cabinet, etc.

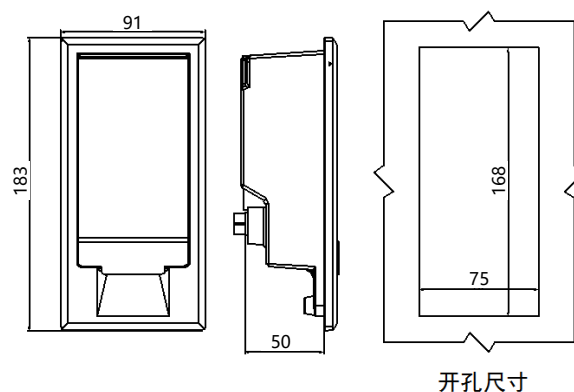
CRT-MS888/888N Box transformer lock



Technical Parameter

Operating voltage	3V-5.5VDC (Lock core)
Operating temperature	20%~98%RH
Operating humidity	-40°C~80°C
Lock body material	Eco-friendly 4# zinc alloy
Lock core material	304SUS
Lock core style	Electronic lock cylinder
Opening direction	Adjustable left/right door opening
Storage capacity	22pcs (lock/unlock/patrol)
Switching life	≥300000 times
Protection level	IP68
Salt spray test	Meet GB/T2423 standard requirements
Unlocking mode	Electronic key unlocking

Structure size



Application

Box change cabinet, ring network cabinet, etc., can choose passive lock or matching NB controller to achieve remote unlocking, remote monitoring and other functions.

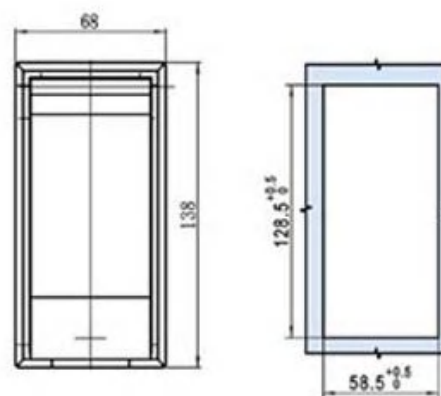
CRT-MS887/887N Box transformer lock



Technical Parameter

Operating voltage	3V-5.5VDC (Lock core)
Operating temperature	20%~98%RH
Operating humidity	-40°C~80°C
Lock body material	Eco-friendly 4# zinc alloy
Lock core material	304SUS
Lock core style	Electronic lock cylinder
Opening direction	Adjustable left/right door opening
Storage capacity	22pcs (lock/unlock/patrol)
Switching life	≥300000 times
Protection level	IP68
Salt spray test	Meet GB/T2423 standard requirements
Unlocking mode	Electronic key unlocking

Structure size



Application

Box change cabinet, ring network cabinet, etc., can choose passive lock or matching NB controller to achieve remote unlocking, remote monitoring and other functions.

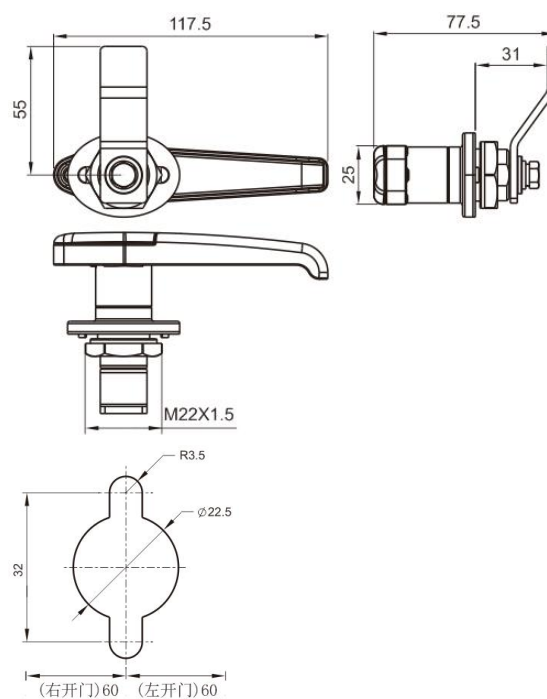
CRT-B100 Handle lock



Technical Parameter

Operating voltage	3V-5.5VDC (Lock core)
Operating temperature	20%~98%RH
Operating humidity	-40°C~80°C
Lock body material	Eco-friendly 4# zinc alloy
Lock core material	304SUS
Lock core style	Electronic lock cylinder
Storage capacity	22pcs (lock/unlock/patrol)
Switching life	≥300000 times
Protection level	IP68
Salt spray test	Meet GB/T2423 standard requirements
Unlocking mode	Electronic key unlocking

Structure size



Application

Cable box, charging pile, protection cabinet, switch cabinet, automation and communication cabinet, screen cabinet, electric control box, filing cabinet, etc.

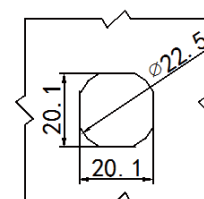
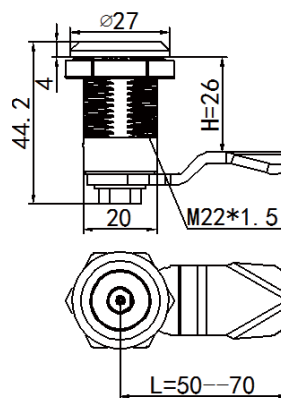
CRT-Y100-M22 Cylindrical lock



Technical Parameter

Operating voltage	3V-5.5VDC (Lock core)
Operating temperature	20%~98%RH
Operating humidity	-40°C~80°C
Lock core material	304SUS
Lock core style	Electronic lock cylinder(360 °idle)
Storage capacity	22pcs (lock/unlock/patrol)
Switching life	≥300000 times
Protection level	IP68
Salt spray test	Meet GB/T2423 standard requirements
Unlocking mode	Electronic key unlocking

Structure size



Opening size

Application

Cable box, charging pile, protection cabinet, switch cabinet, automation and communication cabinet, screen cabinet, electric control box, filing cabinet, etc.

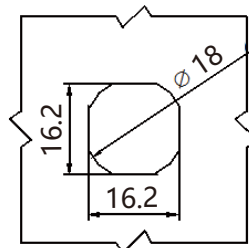
CRT-Y200-M18 Cylindrical lock



Technical Parameter

Operating voltage	3V-5.5VDC (Lock core)
Operating temperature	20%~98%RH
Operating humidity	-40°C~80°C
Lock core material	304SUS
Lock core style	Electronic lock cylinder(360 °idle)
Storage capacity	22pcs (lock/unlock/patrol)
Switching life	≥300000 times
Protection level	IP68
Salt spray test	Meet GB/T2423 standard requirements
Unlocking mode	Electronic key unlocking

Opening size



Application

Cable box, charging pile, protection cabinet, switch cabinet, automation and communication cabinet, screen cabinet, electric control box, filing cabinet, etc.

CRT-H Series Anti-theft door lock core



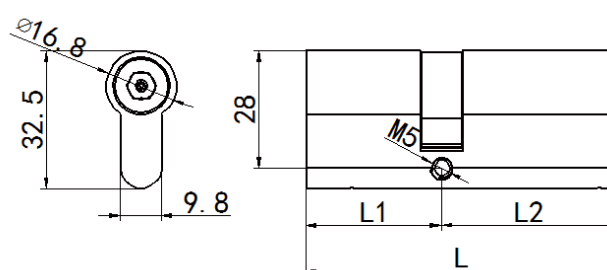
Technical Parameter

Operating voltage	3V-5.5VDC (Lock core)
Operating temperature	20%~98%RH
Operating humidity	-40°C~80°C
Lock core material	304SUS
Lock core style	Electronic lock cylinder(360 °idle)
Storage capacity	22pcs (lock/unlock/patrol)
Switching life	≥300000 times
Protection level	IP68
Salt spray test	Meet GB/T2423 standard requirements
Unlocking mode	Electronic key unlocking

Application

Tower base station anti-theft door lock, power distribution room, high and low pressure room, indoor door lock, etc.

Structure size



Selection table

NO.	Model	Name	L1	L2	L
1	CRT-H100	75 Eccentric hoist lock core	32.5	42.5	75
2	CRT-H200	85 Eccentric hoist lock core	32.5	52.5	85
3	CRT-H300	90 Eccentric hoist lock core	32.5	57.5	90
4	CRT-H400	100 Eccentric hoist lock core	32.5	67.5	100
5	CRT-H500	110 Eccentric hoist lock core	32.5	77.5	110

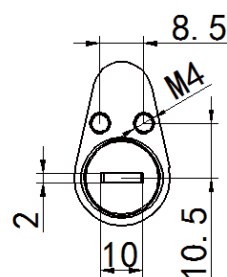
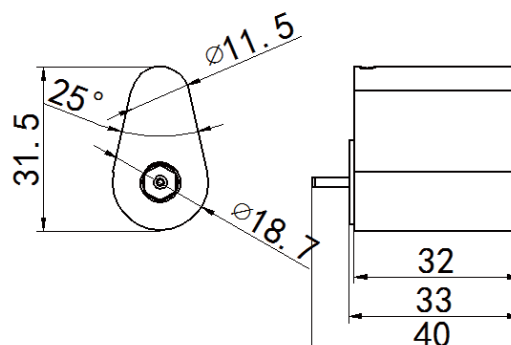
CRT-F100 Fire door lock core



Technical Parameter

Operating voltage	3V-5.5VDC (Lock core)
Operating temperature	20%~98%RH
Operating humidity	-40°C~80°C
Lock core material	304SUS
Lock core style	Electronic lock cylinder(360 °idle)
Storage capacity	22pcs (lock/unlock/patrol)
Switching life	≥300000 times
Protection level	IP68
Salt spray test	Meet GB/T2423 standard requirements
Unlocking mode	Electronic key unlocking

Structure size



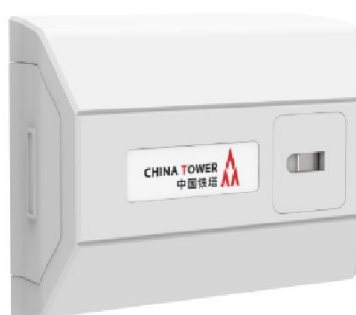
Application

Fire door, access door, power distribution room, high & low pressure room, etc.

CRT-FQ500 Anti-skid lock



Long lock box

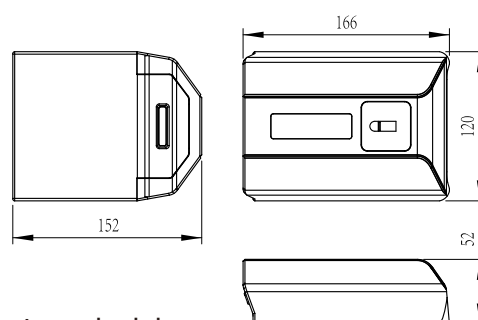


Short lock box

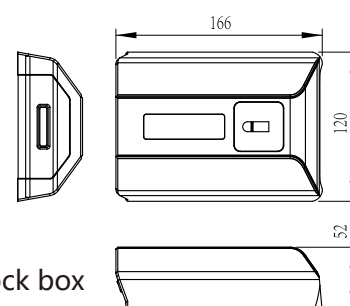
Technical Parameter

Operating voltage	12VDC±20%
Operating environment	-40~80°C , 5%~100%RH
Shell material	Aluminum alloy integrated forming
Lock core material	304SUS
Core pattern	Electronic lock cylinder (with dust cover)
Latch specification	304 stainless steel, extension length 20mm
Storable log	22 pcs
Switching life	> 100000 times
Structural characteristics	Inside mortise and tenon structure
Communication mode	RS485、FSU、Bluetooth4.0、NB、4G
Salt spray test	Meet GB/T2423 standard requirements
Protection level	IP65
Unlocking mode	Remote unlock, Bluetooth unlock, electronic key unlock
Installation mode	Side mounting (door/cabinet), formal mounting (door/cabinet)

Structure size



Long lock box



Short lock box

Application

Tower base station cabinet, base station door, etc.

Wiring instructions

Red	Black	Green	Yellow	Blue	White	Grey	Pink	Orange	Purple
12V+	GND	DO	DO	Door sensor	Door sensor	Cam	Cam	485A	485B

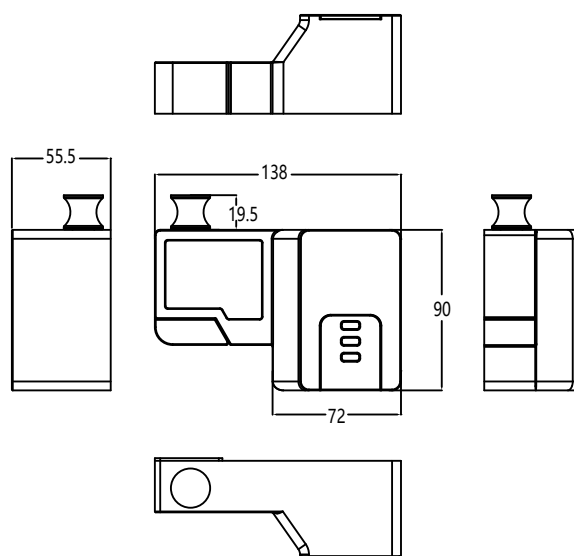
CRT-FQ700 Anti-skid lock



Technical Parameter

Operating voltage	3.0~5.5VDC (Lock core)
Operating environment	-40~80°C , 5%~100%RH
Shell material	304 SUS
Lock core material	304 SUS
Lock lever material	304 SUS
Storable log	22 pcs
Switching life	> 100000 times
Peculiarity	Lock core double protection, double lock core
Communication mode	Bluetooth 4.0
Salt spray test	Meet GB/T2423 standard requirements
Protection level	IP65
Unlocking mode	electronic key unlock

Structure size



Application

Base station door, power distribution room, etc.

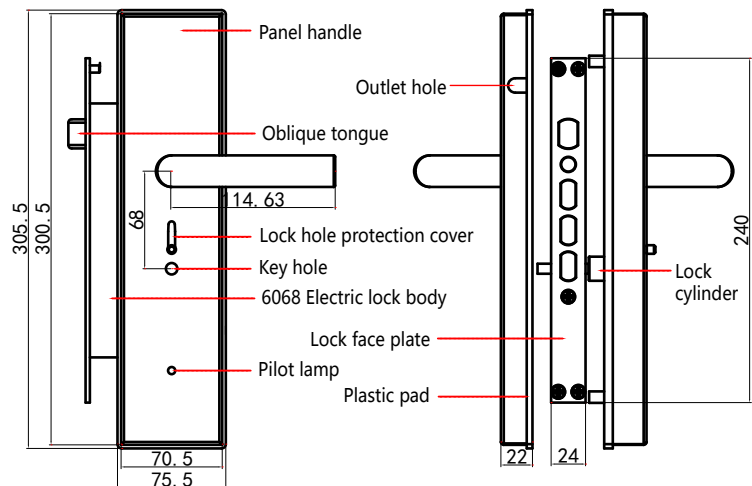
CRT-MSF100L Anti-theft lock



Technical Parameter

Lock core material	304 SUS
Handle torque	≥46Nm
Operating voltage	12VDC
Operating environment	-40~80°C ,20%-98%RH
Switching life	> 100000 times
Storable log	22 pcs
Protection level	IP67
Core pattern	Electronic/mechanical cylinder
Unlocking mode	Remote unlock, key unlock, Bluetooth unlock

Structure size



Application

Tower base station security door, power distribution room, station door, etc.

Wiring instructions

Red	Black	Green	Yellow	Blue	White	Grey	Pink	Orange	Purple
12V+	GND	DO	DO	Door sensor	Door sensor	Cam	Cam	485A	485B

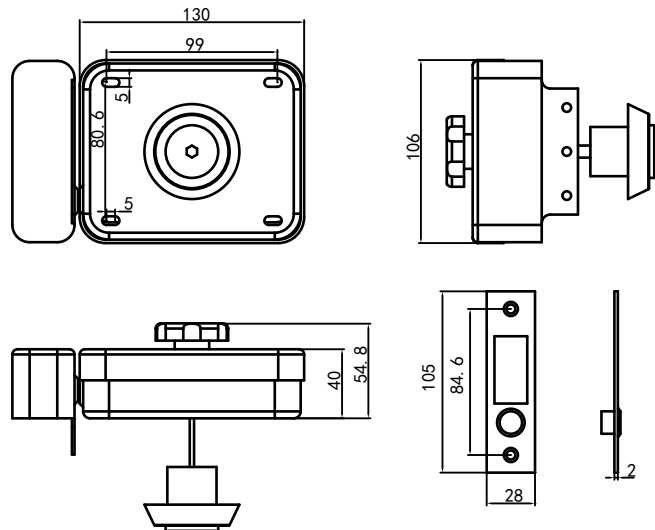
CRT-MSL100L Bluetooth smart lock



Technical Parameter

Lock core material	304 SUS
Handle torque	≥46Nm
Operating voltage	12VDC
Operating environment	-40~80°C ,20%-98%RH
Switching life	> 100000 times
Storable log	22 pcs
Protection level	IP67
Core pattern	Electronic/mechanical cylinder
Unlocking mode	Remote unlock, key unlock, Bluetooth unlock

Structure size



Application

Tower base station security door, power distribution room, station door, etc.

Wiring instructions

Red	Black	Green	Yellow	Blue	White	Grey	Pink	Orange	Purple
12V+	GND	DO	DO	Door sensor	Door sensor	Cam	Cam	485A	485B

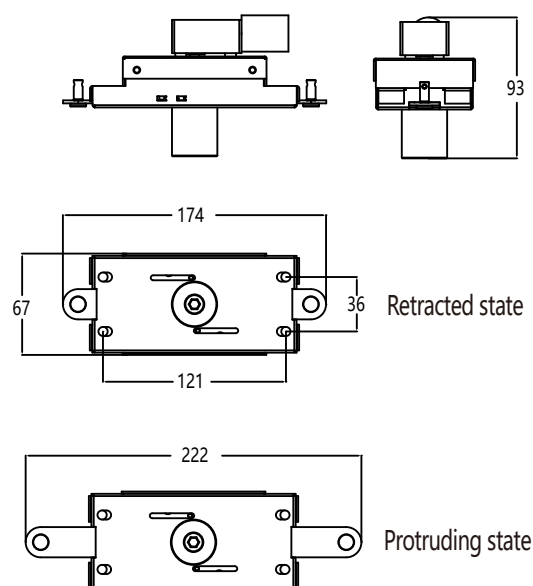
CRT-MSGB100N Steel door lock



Technical Parameter

Operating voltage	12VDC
Operating environment	-40~80°C , 20%~100%RH
Lock main material	Galvanized steel sheet
Lock core material	304 SUS
Lock rod specification	304 SUS, Extension length 24mm
Storable log	22 pcs
Switching life	> 100000 times
Communication mode	RS485、Bluetooth4.0、Power Intranet
Salt spray test	Meet GB/T2423 standard requirements
Protection level	IP65
Unlocking mode	Remote unlock, key unlock, Bluetooth unlock

Structure size



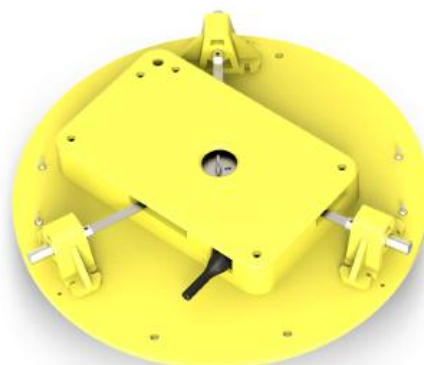
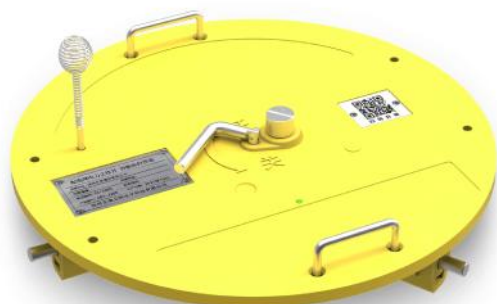
Application

Base station door, power distribution room, etc.

Wiring instructions

Red	Black	Green	Yellow	Blue	White	Grey	Pink	Orange	Purple
12V+	GND	DO	DO	Door sensor	Door sensor	Cam	Cam	485A	485B

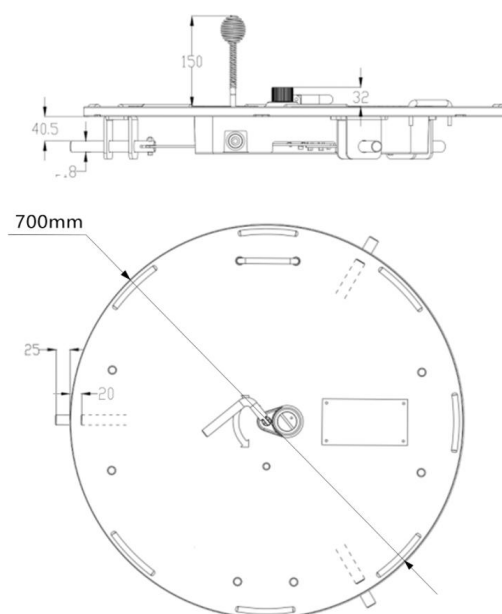
CRT-JG700N Manhole cover



Technical Parameter

Operating voltage	3.6VDC±20%
Battery level	≥38000mAh
Standby consumption	≤30μA
Battery life	> 3 years
Working environment	-40~80°C, 5%~100%RH
Main material	Fiberglass + stainless steel
Lock core material	304SUS
Lock rod specification	304SUS, Extension length 20mm
Switching frequency	> 100000 times
Functional characteristics	Cover detection, expandable gas/water level sensing
Communication mode	NB/4G、Bluetooth4.0、Power Intranet
Protection level	IP68
Unlocking mode	Remote unlocking, Bluetooth unlocking, electronic key unlocking, mechanical emergency unlocking
Alarm information	Cover alarm, vibration alarm, lock picking alarm, low power alarm, etc

Structure size



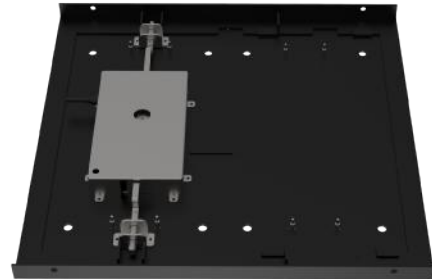
Selection table

NO.	Model	Outer diameter dimension (mm)
1	CRT-JG600N	600
2	CRT-JG700N	700
3	CRT-JG900N	900

Application

Electricity, communication, water, municipal manhole cover, etc.

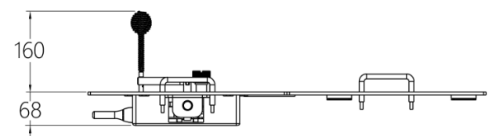
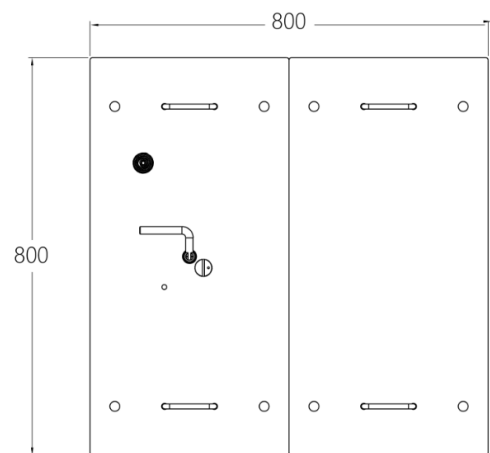
CRT-JG800FN Manhole cover



Technical Parameter

Operating voltage	3.6VDC±20%
Battery level	≥38000mAh
Standby consumption	≤30μA
Battery life	> 3 years
Working environment	-40~80°C , 5%~100%RH
Main material	Fiberglass + stainless steel
Lock core material	304SUS
Lock rod specification	304SUS, Extension length 20mm
Switching life	> 100000 times
Functional characteristics	Cover detection, expandable gas/water level sensing
Communication mode	NB/4G, Bluetooth4.0, Power Intranet
Protection level	IP68
Unlocking mode	Remote unlocking, Bluetooth unlocking, electronic key unlocking, mechanical emergency unlocking
Alarm information	Cover alarm, vibration alarm, lock picking alarm, low power alarm, etc

Structure size



Application

Electricity, communication, water, municipal manhole cover, etc.

CRT-JG800FN-W Manhole cover



Technical Parameter

Operating voltage	3.6VDC±20%
Battery level	≥38000mAh
Standby consumption	≤30μA
Battery life	> 3 years
Working environment	-40~80°C , 5%~100%RH
Lock rod specification	304 SUS
Switching life	> 100000 times
Peculiarity	Authorization unlocking, upload information
Communication mode	NB/4G、Bluetooth4.0、Power Intranet
Unlocking mode	Wireless power unlocking, Bluetooth unlocking, remote unlocking
Salt spray test	Meet GB/T2423 standard requirements
Protection level	IP68
Alarm information	Vibration alarm, lock picking alarm, low power alarm, etc

Lock-in module

Main components	Wireless power receiving controller
	Battery
	Lock
	Connecting rod
External sensor (optional)	Pilot lamp
	Open cover sensor
	Temperature and humidity sensor
Other accessories	Water level sensor
	Wireless power key

Application

Electricity, communication, water, municipal manhole cover, etc.

CRT-NB100 NB-IoT controller



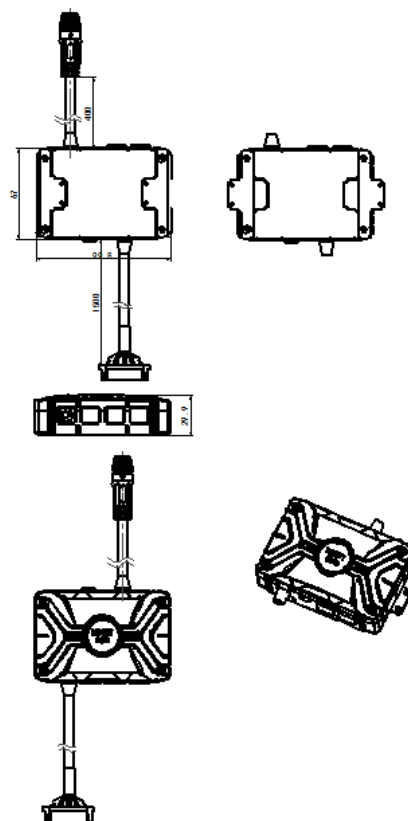
Technical Parameter

Operating voltage	3.6VDC
Operating environment	-40~80°C, 5%~100%RH
Shell material	FR ABS
Signal sensitivity	≥-125dBm
Battery capacity	≥19000mAh
Power consumption	Operating≤320mA, Standby≤23uA
Service life	> 5years/5000times
Class of protection	IP67
Salt spray test	Meets GB/T2423 standard
Signal transmission	NB-IoT

Instructions

Drop lock accordingly	No operation, automatic lock
Electromagnetic compatibility	Meet the requirements of GB17625.1-2012
Alarm function	Illegal door opening/Prolonged door opening/Impact alarm Low battery /Standby unlocking/Communication interruption Unlocked for long time alarm
Unlocking method	NB/ mobile APP/ electronic key/platform remote unlocking
Atresia	low or no power, locked
log	Logs can be generated, saved, and uploaded
Add-in extensions	Temperature, humidity, water immersion, vibration, tilt, Displacement, smoke sensor equipment

Structure size



Application

Scenarios that require NB-IoT communication and related functions.

CRT-K100L Bluetooth key



Technical Parameter

Operating voltage	4.2V
Charging voltage	5V
Operating temperature	-40~80°C
Shell material	Zinc alloy frame+ABS
Key head material	304 SUS
Keyhead pattern	Gold-plated copper contact, hexagonal type
Interface style	Micro USB

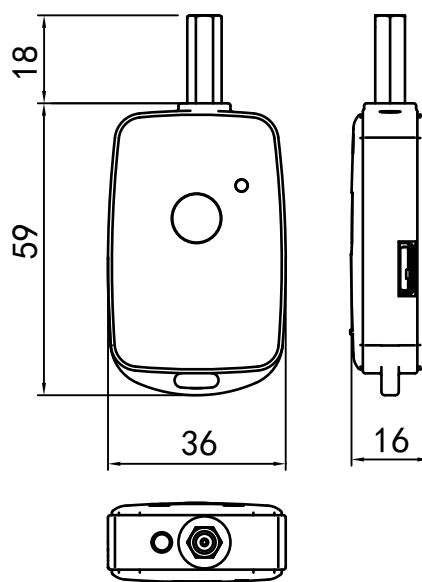
Instructions

Scope of application	A lock for a place that requires identification
Permission recognition	Identification system set operating range/time limit
Identity binding	Tie it to your phone to prevent key theft. Make sure Key security
Remote withdrawal	Key permissions can be deleted remotely
Communication function	Remote monitoring via mobile phone

Application

Hexagonal hole intelligent lock core;

Structure size



CRT-K102L Bluetooth key



Technical Parameter

Operating voltage	4.2V
Charging voltage	5V
Operating temperature	-40~80°C
Shell material	Zinc alloy frame+ABS
Key head material	304 SUS
Keyhead pattern	Gold-plated copper contact, hexagonal type
Interface style	Micro USB

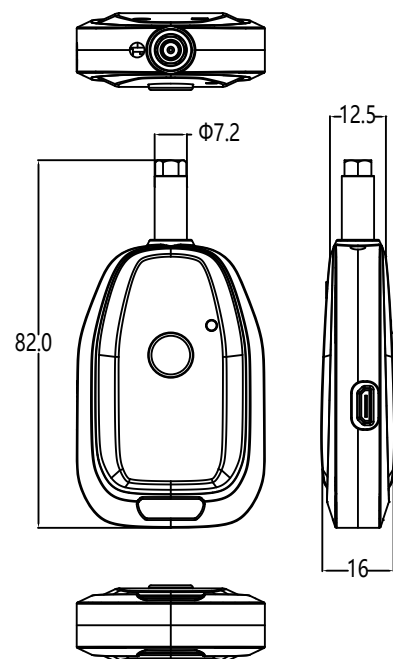
Instructions

Scope of application	A lock for a place that requires identification
Permission recognition	Identification system set operating range/time limit
Identity binding	Tie it to your phone to prevent key theft. Make sure Key security
Remote withdrawal	Key permissions can be deleted remotely
Communication function	Remote monitoring via mobile phone

Application

Hexagonal hole intelligent lock core;

Structure size



CRT-K104-4G Full keyboard fingerprint key



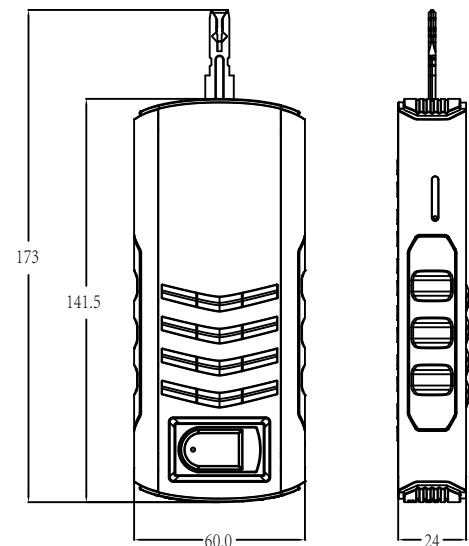
Technical Parameter

Operating voltage	4.2V
Charging voltage	5V
Operating temperature	-40~80°C
Shell material	Zinc alloy +ABS
Key head material	304 stainless steel
Keyhead pattern	Copper plated contact, hex/flat
Screen type	OLED
Functional characteristics	Fingerprint identification, password/direct authorization
Communication	4G, RS232, TYPE-C
Number of keys	12

Instructions

Scope of application	Locks for authentication places are required
Permission identification	Identify the system to set the operating range, time limit
Fingerprint recognition	Remote input fingerprint, unlock requires verification
Identity binding	Bind to mobile phone, fingerprint, and password
Remote withdrawal	Key permissions can be removed remotely
Communication	Remote monitoring via mobile phone or platform
Emergency unlocking	Fingerprint failure, password emergency unlock
Screen display	Battery, signal, Bluetooth, authorized unlock prompt, etc

Structure size



Application

Banking, electricity, telecommunications and other industries.

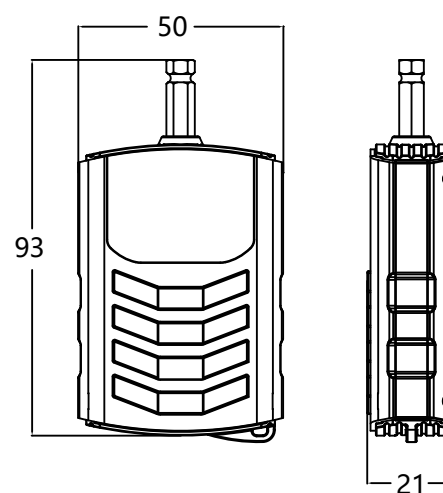
CRT-K106L-NW Full keyboard key



Technical Parameter

Operating voltage	4.2V
Charging voltage	5V
Operating temperature	-40~80°C
Shell material	Zinc alloy+ABS
Key head material	304 stainless steel
Keyhead pattern	Gold-plated copper contact, hexagonal, anti-fall
Screen type	OLED
Battery specification	1500mAh ,Rechargeable lithium battery
Interface style	Type-C
Communication mode	Bluetooth 4.0 and above
Protection level	IP44

Structure size



Instructions

Scope of application	A lock for a place that requires identification
Permission recognition	Identify system set operating range/time limit
Identity binding	It's tied to your phone,
Remote withdrawal	Remote delete key permissions
Communication function	Remote monitoring via mobile phone or platform
Screen display	Power, signal, Bluetooth, authorization unlock prompt, etc

Application

Hexagonal hole intelligent lock core

CRT-K108L-W Wireless power key



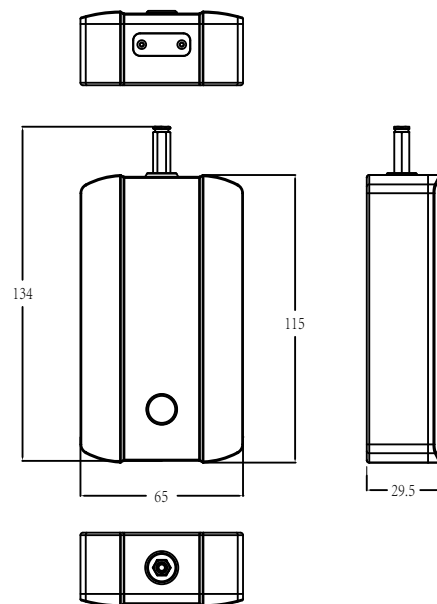
Technical Parameter

Operating voltage	4.2V
Charging voltage	5V
Operating temperature	-40~80°C
Shell material	ABS
Key head material	304 stainless steel
Keyhead pattern	Gold-plated copper contact, hexagonal
Battery specification	2600mAh, Rechargeable lithium battery
Functional characteristics	Authorized unlock, wireless power unlock
Interface form	Type-C (Waterproof seal, rechargeable)
Communication mode	Bluetooth 4.0 and above
Protection level	IP67

Instructions

Scope of application	A lock for a place that requires identification
Permission recognition	Identify system set operating range/time limit
Identity binding	It's tied to your phone,
Remote withdrawal	Remote delete key permissions
Communication function	Remote monitoring via mobile phone or platform
Wireless power supply	Lock power failure, support wireless power unlocking

Structure size



Application

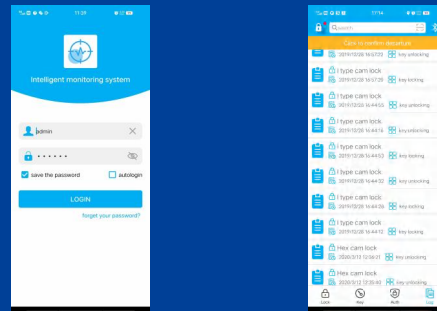
Hexagonal hole intelligent lock core;
Products that support wireless power unlocking.

Management platform

Computer terminal



APP



Platform function

Personnel management

Electronic key Management

Lock management

Permissions management

Region management

Base station management

Log management

Work order management

Off-site management

V2.2



Xuzhou Create Electronic Technology Co.,Ltd.

Add: No. 1-2 U Valley, Leye Road, Economic Development Zone,
Xuzhou City, Jiangsu Province, China

Tel: 18652228311 18552875832 18552812767

Web: www.jskratglobal.com



Scan code for electronic files