

## KW3A-G型晾衣架開關組件 Clothes hanger switch assembly

### ◆ 特點和用途 Characteristic and usage

- 產品性能可靠，動作無異響  
Reliable product performance, no abnormal sound during the action
- 外形體積小巧，適合各個角度隨意安裝  
Small size, suitable for random installation at all angles
- 產品結構簡潔，安裝拆解方便  
Product structure is simple, easy to install and disassemble



### ◆ 技術特性 Specifications

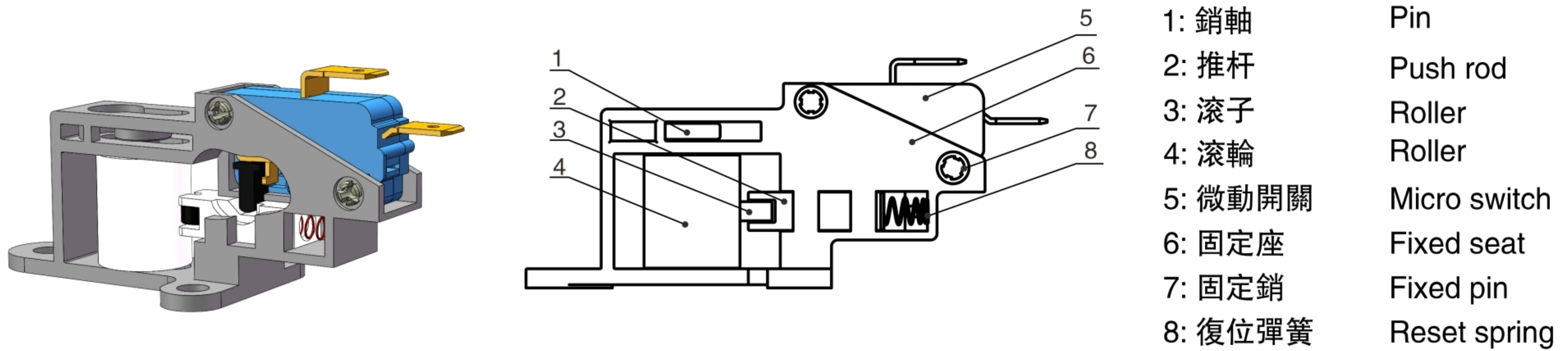
項目 Item		特性值 Value
工作速度 Operating speed		0.1mm ~ 1m/s (與驅動方式有關)(related with actuator forms)
工作頻率 Operating frequency		機械 60次/min; 電氣 15次/min Mechanical 60 cycles/min; Electrical 15cycles/min
絕緣電阻 Insulation resistance		≥ 100MΩ (500VDC)
接觸電阻 Contact resistance		≤ 30mΩ (初始值 initial value)
耐電壓 Test voltage	同極不相接端子間 Between terminals of the same polarity	AC1000V, 50/60Hz, 1min
	帶電金屬零件與外殼之間、接綫端與易觸及的不帶電金屬件之間 Between electrification mental parts and case , between connect terminal and non electrification mental parts .	AC1500V, 50/60Hz, 1min
抗振動 Vibration resistance		10 ~ 55Hz, 1.5mm 雙振幅 Double amplitude
抗衝擊 Shock resistance		破壞：動作力>0.5N—1000m/s <sup>2</sup> (約100G)max 動作力≤0.5N—400m/s <sup>2</sup> (約40G)max 故障：動作力>0.5N—200m/s <sup>2</sup> (約20G)max 動作力≤0.5N—100m/s <sup>2</sup> (約10G)max Destruction: OP>0.5N—1000m/s <sup>2</sup> (approx.100G)max OP≤0.5N—400m/s <sup>2</sup> (approx.40G)max Malfunction: OP>0.5N—200m/s <sup>2</sup> (approx.20G)max OP≤0.5N—100m/s <sup>2</sup> (approx.10G)max
壽命 Life		機械 ≥200,000次;      Mechanical ≥2,000,000 cycles 電氣 ≥50,000次      Electrical ≥50,000 cycles
質量 Weight		約25g(無動臂型)Approx. 25g(No lever)
安全認證 Safety approvals		UL、TUV、CE、CQC

◆ 型號規格命名及含義 Model number legend and meanings

KW3A-G □  
1 2

<p><b>1</b> 組件規格 Component specifications</p>	<p>G: 晾衣架開關用組件 G: Components for clothes hanger switches</p>
<p><b>2</b> KW3A微動開關 KW3A Micro switch</p>	<p>同KW3A微動開關命名規則 Same as KW3A microswitch naming rules</p>

◆ 內部構造圖 Internal configuration drawing



◆ 外形和安裝尺寸 Outline and mounting dimensions

