

# Shelf Management System

## 貨架管理系統

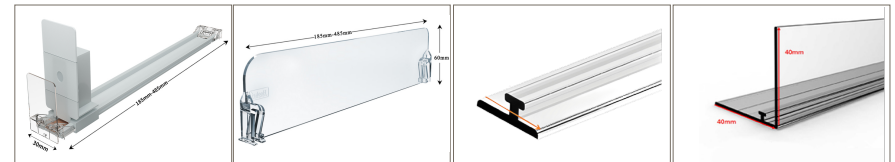
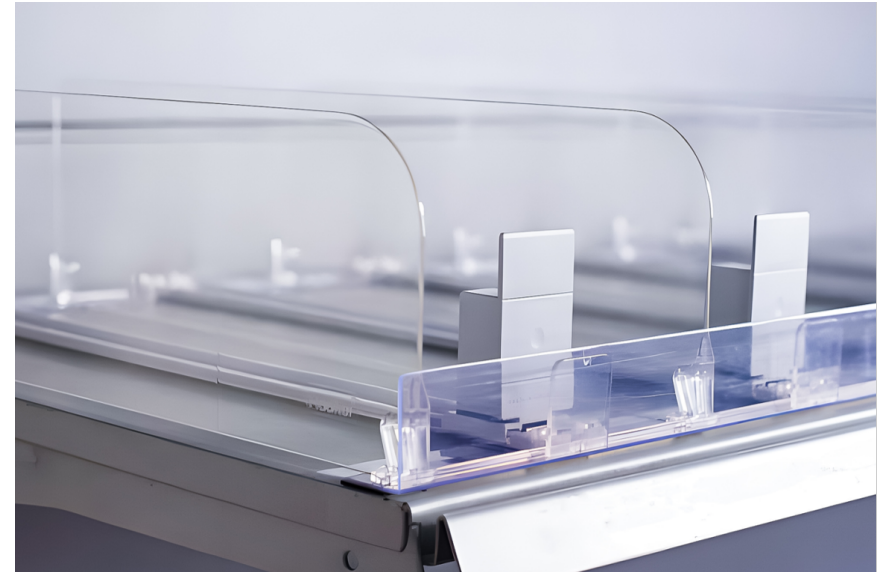
Hookei® shelf management system is designed for the fast changing in-store environment which allows a rapid integration of changing shelf layouts. Pushers & Dividers and Roller Track System are great tool for helping to lower personnel cost for shelf maintenance and enhances your customers' shopping experience by making it easy and convenient to browse the shelves.

Hookei® 貨架管理系統，最適合超市整理貨架及產品陳列之用。貨架管理系統不但可減少人力成本整理貨架，更可時刻保持貨架整齊。使顧客更方便地於貨架上尋找產品，令顧客有一個愉快的購物經驗。



# Pharmacy

# Shelf Pusher System



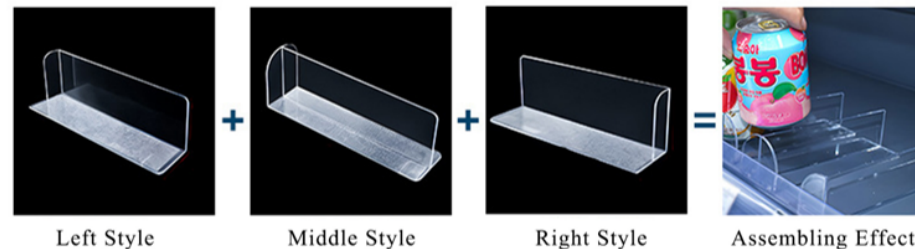
Item	Length(mm)	Width(mm)	Height(mm)	Pushing Force (N)	Material	Color
Pusher	185-485	30	/	3/6/9/12	PVC+ABS	Gray
Divider	185-485	/	60	/	PS	Transparent
Front Fixing Strip	Custom-made	12	/	/	PVC	Transparent
Rear Fixing Strip	Custom-made	40	40	/	PVC	Transparent

# Convenience Store

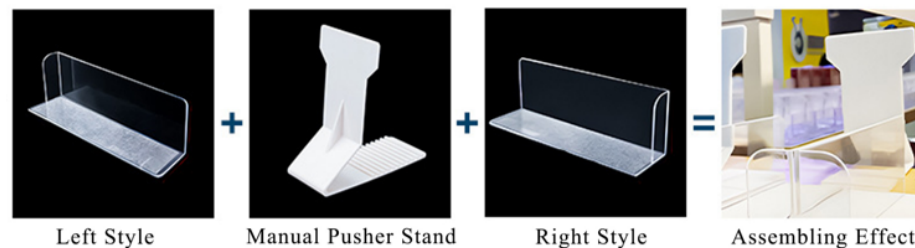
# Shelf Divider System



## Option 1

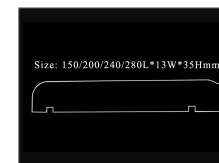
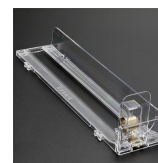
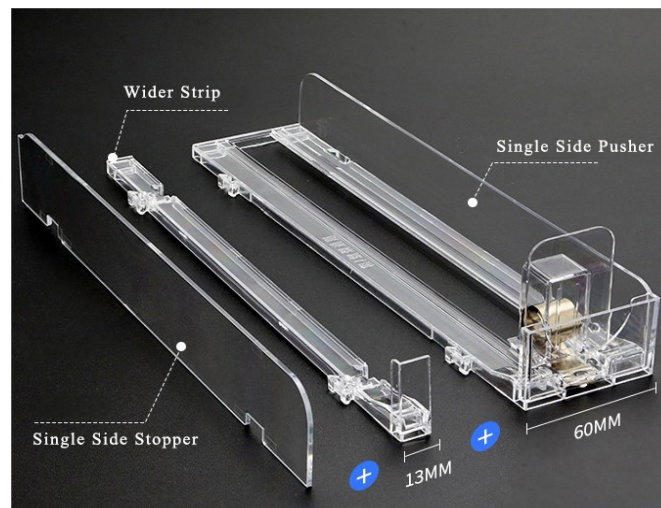


## Option 2



Description	Length(mm)	Width(mm)	Height(mm)	Material	Color
Left Style	220	40	40	PS	Transparent
Middle Style	200	50	40	PS	Transparent
	150	40	50	PS	Transparent
Right Style	220	40	40	PS	Transparent
Manual Pusher Stand	105	45	110	ABS	White

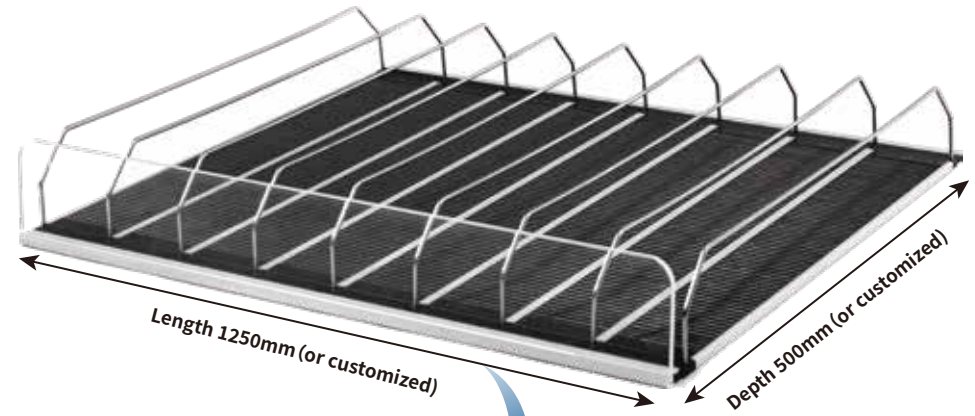
# Cigarette Shelf Pusher



Item	Length(mm)	Width(mm)	Height(mm)	Material	Color
Double Side Pusher	280	65	60	PS+SUS 304	Transparent
Single Side Pusher	150	60/74/86	60	PS+SUS 304	Transparent
	200	60/74/86	60	PS+SUS 304	Transparent
	240	60/74/86	60	PS+SUS 304	Transparent
	280	60/71/75/86	60	PS+SUS 304	Transparent
Wider Strip	150/200/240/280	13	35	PS	Transparent
Single Side Stopper	150/200/240/280	2	40	PS	Transparent

Supermarket

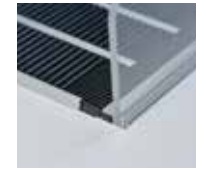
# Supermarket-Meat



Roller Track



Divider



Acrylic Front Stopper

Item No	Size	Description	color
Rol-500	1250*500mm	Roll track, with 1pcs main body, and 10pcs stainless steel divider, and 1pcs acrylic front stopper	White/Black
Rol-800	1250*500mm	Roll track, with 1pcs main body, and 10pcs stainless steel divider, and 1pcs acrylic front stopper	White/Black

# Supermarket-Meat



Description	Product Size	Thickness	Material	Color

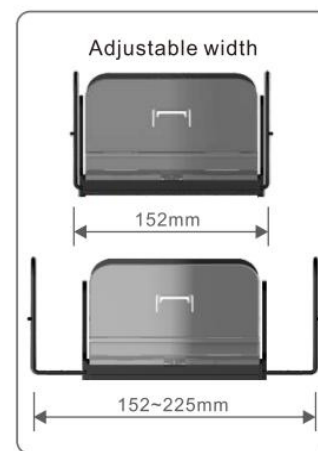
# Supermarket-Meat



Push paddle with lock to the end



Press to unlock the push paddle



### Optional hanging rod specifications:

903X76X87mm 1237X76X87mm  
 \*Normal Applicable 25 × 25 square tube hanging rod can be customized in size



Description	Size(W*D*H)	Bearing	Thrust	Material	Color
Metal Hanging Pusher	152*575*105mm	10kg	Vegetable Rack: 10N Meat Rack: 20N	Steel + PC + ABS	Black/White
	152*524*105mm				
	152*473*105mm				

# Supermarket-Meat

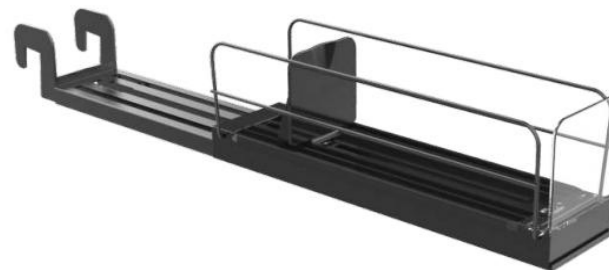


Description	Length(mm)	Width(mm)	Height(mm)	Material	Color
Transparent Ladder Display Rack	300	330	180	Acrylic	Black/ White

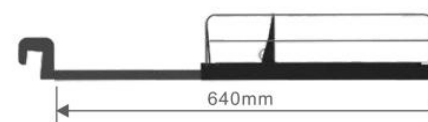
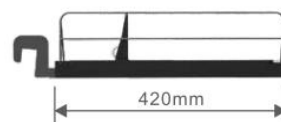
# Supermarket-Salad



The version after pulling out

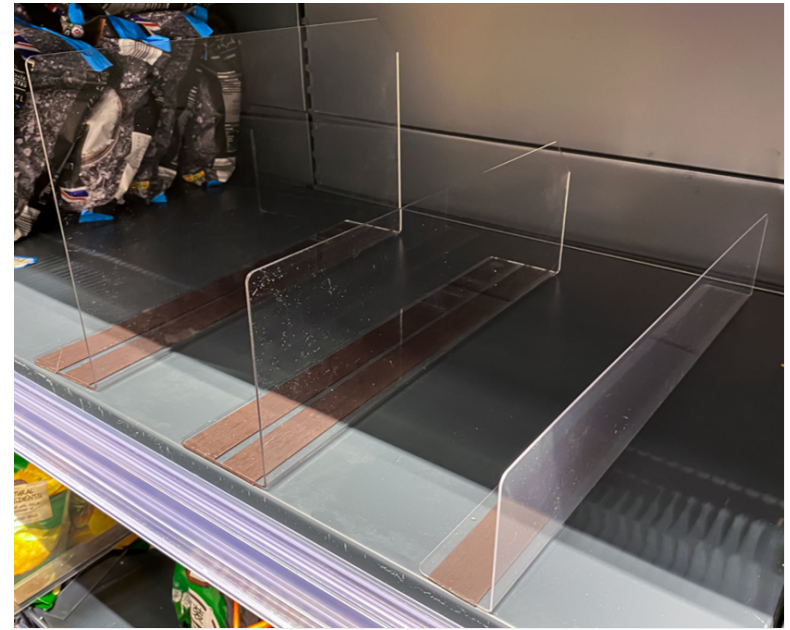


Pulling size ▼



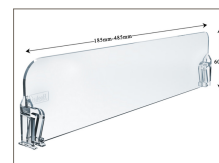
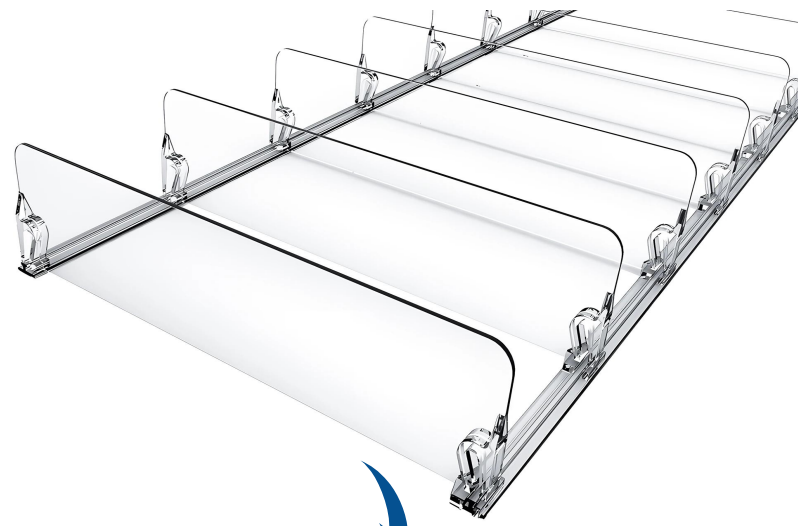
Description	Size(W*D*H)	Bearing	Thrust	Material	Color
Metal Hanging Pusher	124*439*124mm	10kg	Vegetable Rack: 10N	Steel + PC + ABS	Black/White
	124*489*124mm				
	145*489*124mm				

# Supermarket-Salad



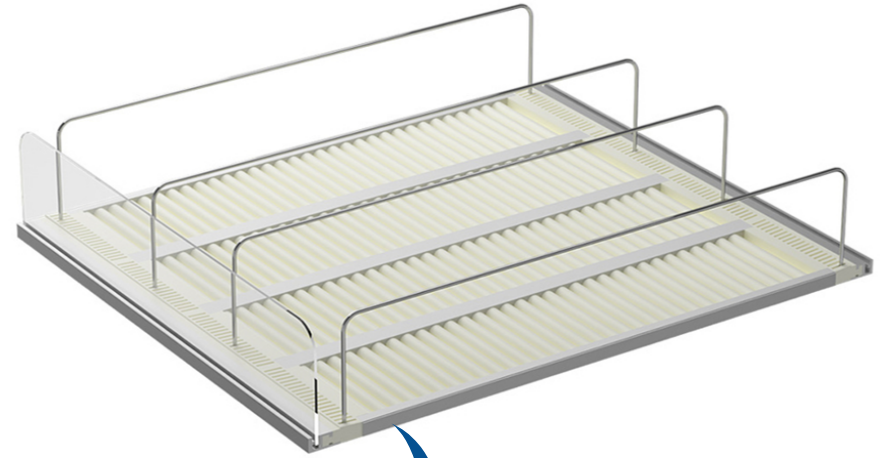
Description	Product Size	Thickness	Material	Color
Shelf Divider with Magnetic Strip	Customized	Customized	PVC	Transparent

# Supermarket-Living Goods



Description	Length(mm)	Width(mm)	Height(mm)	Material	Color
Shelf Divider	185-485	/	60/120	PS	Transparent
Fixing Strip	Custom-made	12	/	PVC	Transparent

# Supermarket-Spice



Roller Track



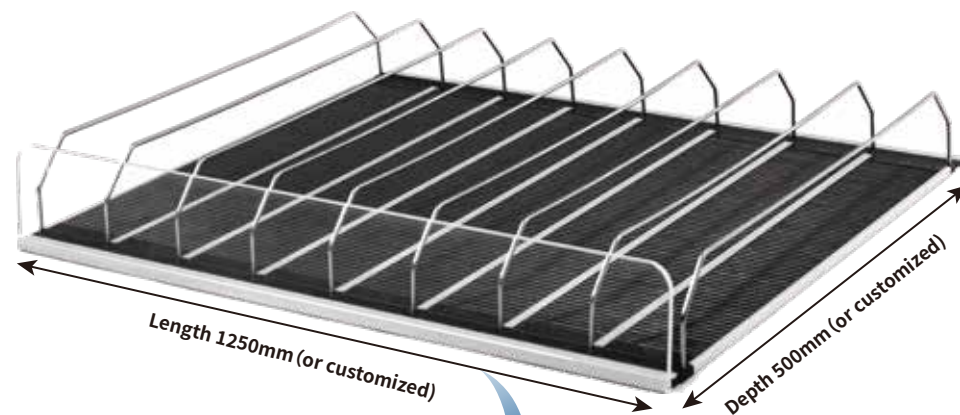
Divider



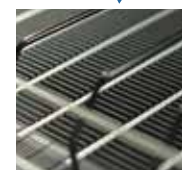
Acrylic Front Stopper

Item No	Size	Description	color
Rol-500	1250*500mm	Roll track, with 1pcs main body, and 10pcs stainless steel divider, and 1pcs acrylic front stopper	White/Black
Rol-800	1250*500mm	Roll track, with 1pcs main body, and 10pcs stainless steel divider, and 1pcs acrylic front stopper	White/Black

# Supermarket-Health Products



Roller Track



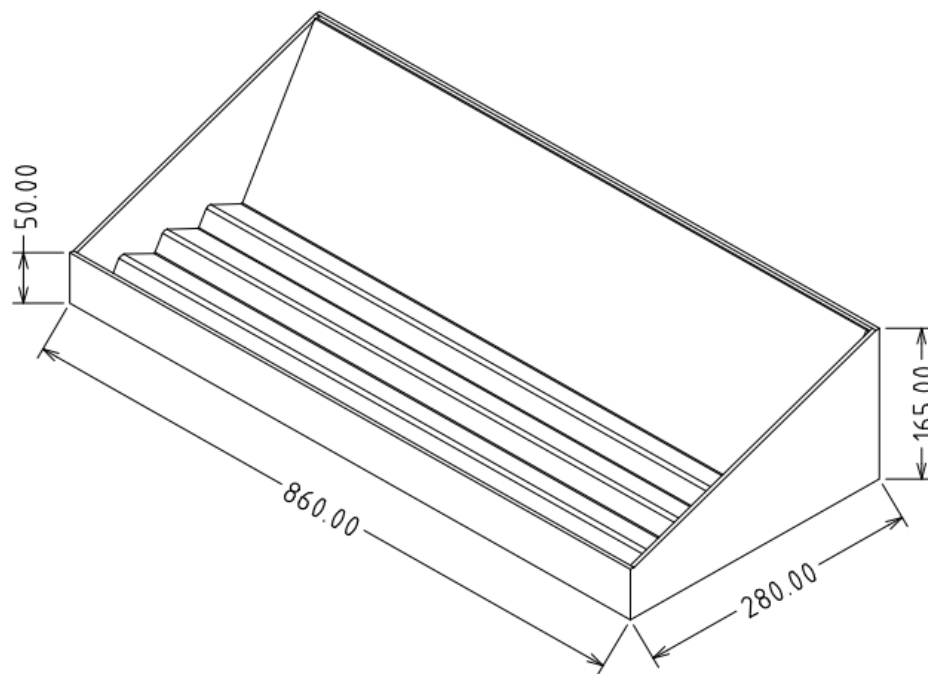
Divider



Acrylic Front Stopper

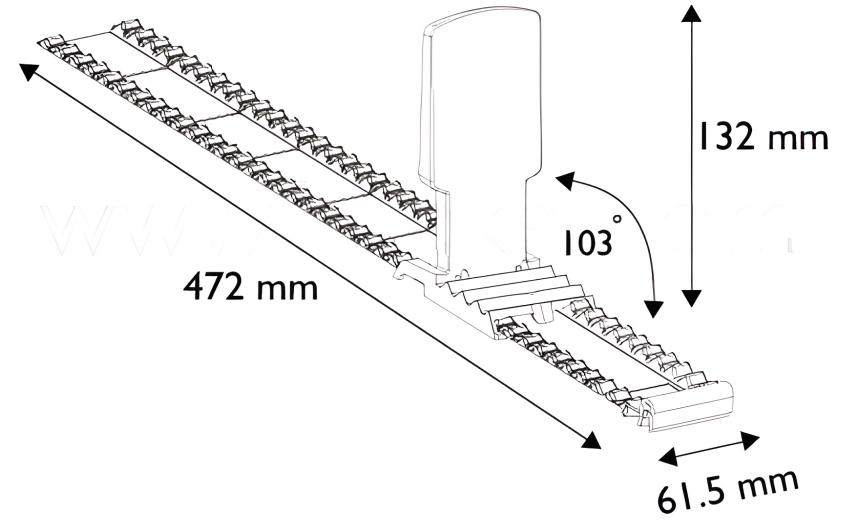
Item No	Size	Description	color
Rol-500	1250*500mm	Roll track, with 1pcs main body, and 10pcs stainless steel divider, and 1pcs acrylic front stopper	White/Black
Rol-800	1250*500mm	Roll track, with 1pcs main body, and 10pcs stainless steel divider, and 1pcs acrylic front stopper	White/Black

# Supermarket-Chocolate



Description	Length(mm)	Width(mm)	Height(mm)	Material	Color
Chocolate Ladder Display Rack	860	280	165	Acrylic	Transparent

# Supermarket-Chocolate

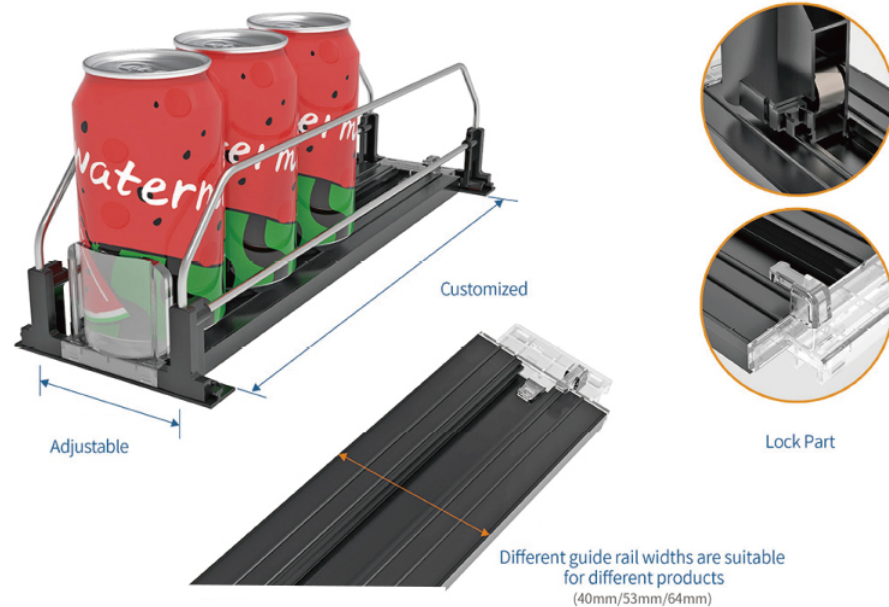


Description	Length(mm)	Width(mm)	Height(mm)	Material	Color
Chocolate Manual Shelf Pusher	472	61.5	132	PC	Transparent

# Supermarket-Drink



Adjustable width customized depth

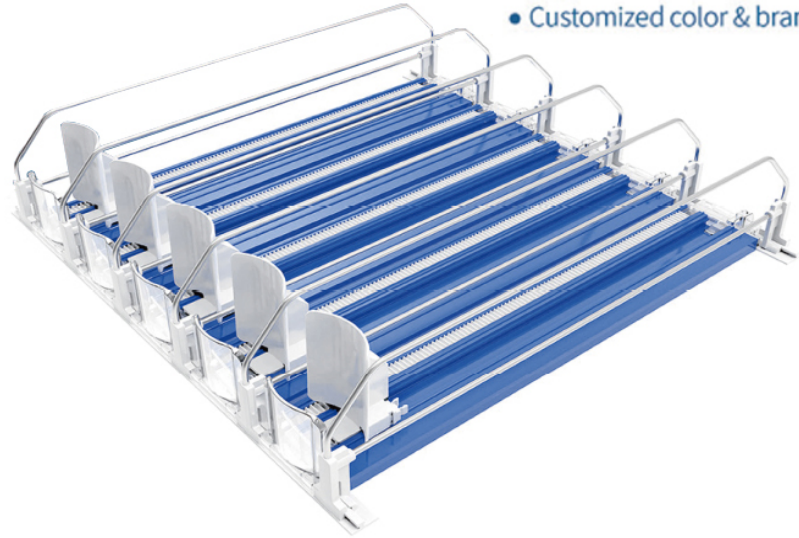


Modular design Easy to assembly and adjusting

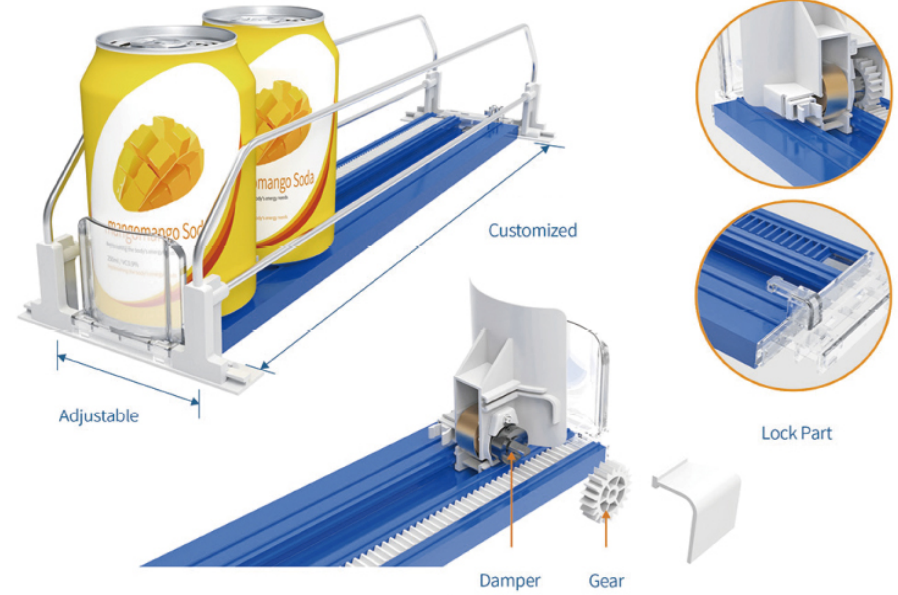


# Supermarket-Drink

- Slow motion with less pushing friction
- Customized depth
- Adjustable width with divider
- Customized color & brand logo



Adjustable width customized depth



Modular design Easy to assembly and adjusting



For canned, Bottled beverage

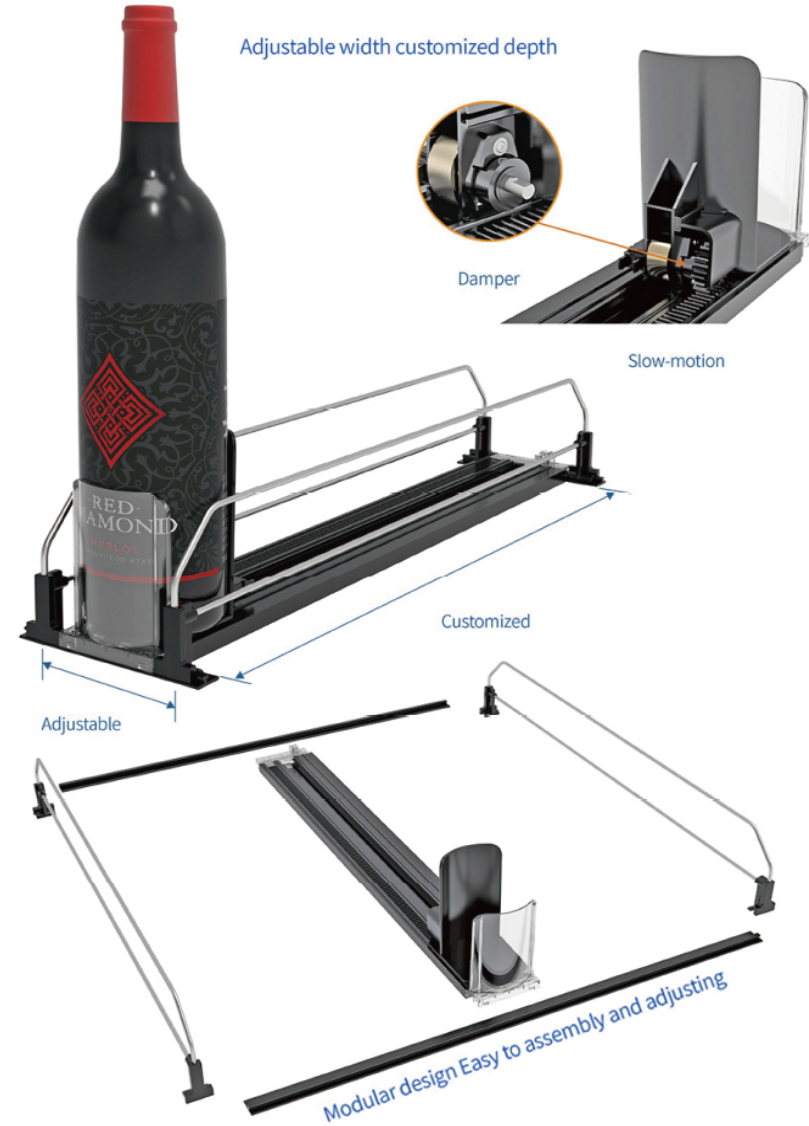
# Supermarket-Red Wine



- Customized depth
- Adjustable width with divider
- Customized color & brand logo
- Very friendly for glass bottle & big bottle drinks



Higher front stopper  
To avoid the bottle falling down during pushing to front

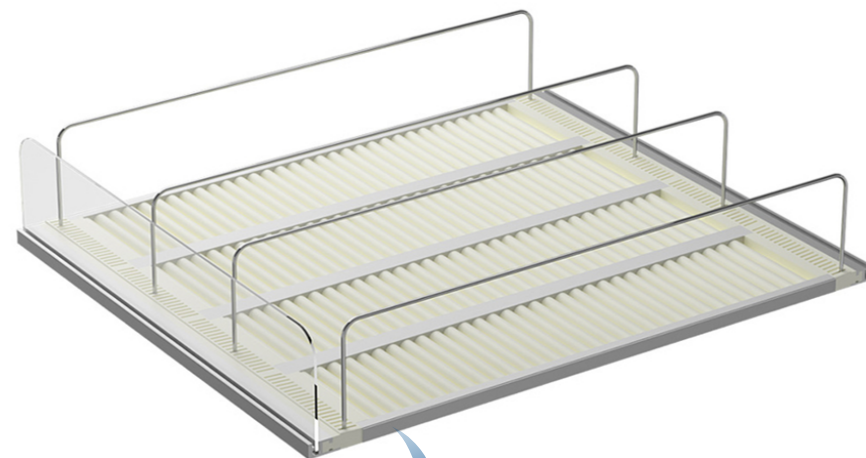


# Supermarket-Red Wine

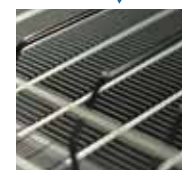


Description	Length(mm)	Width(mm)	Material	Color
Red Wine Pusher	450	78-120, Adjustable	Aluminum + Nylon	White + Gray

# Supermarket-Milk



Roller Track



Divider



Acrylic Front Stopper

Item No	Size	Description	color
Rol-500	1250*500mm	Roll track, with 1pcs main body, and 10pcs stainless steel divider, and 1pcs acrylic front stopper	White/Black
Rol-800	1250*500mm	Roll track, with 1pcs main body, and 10pcs stainless steel divider, and 1pcs acrylic front stopper	White/Black