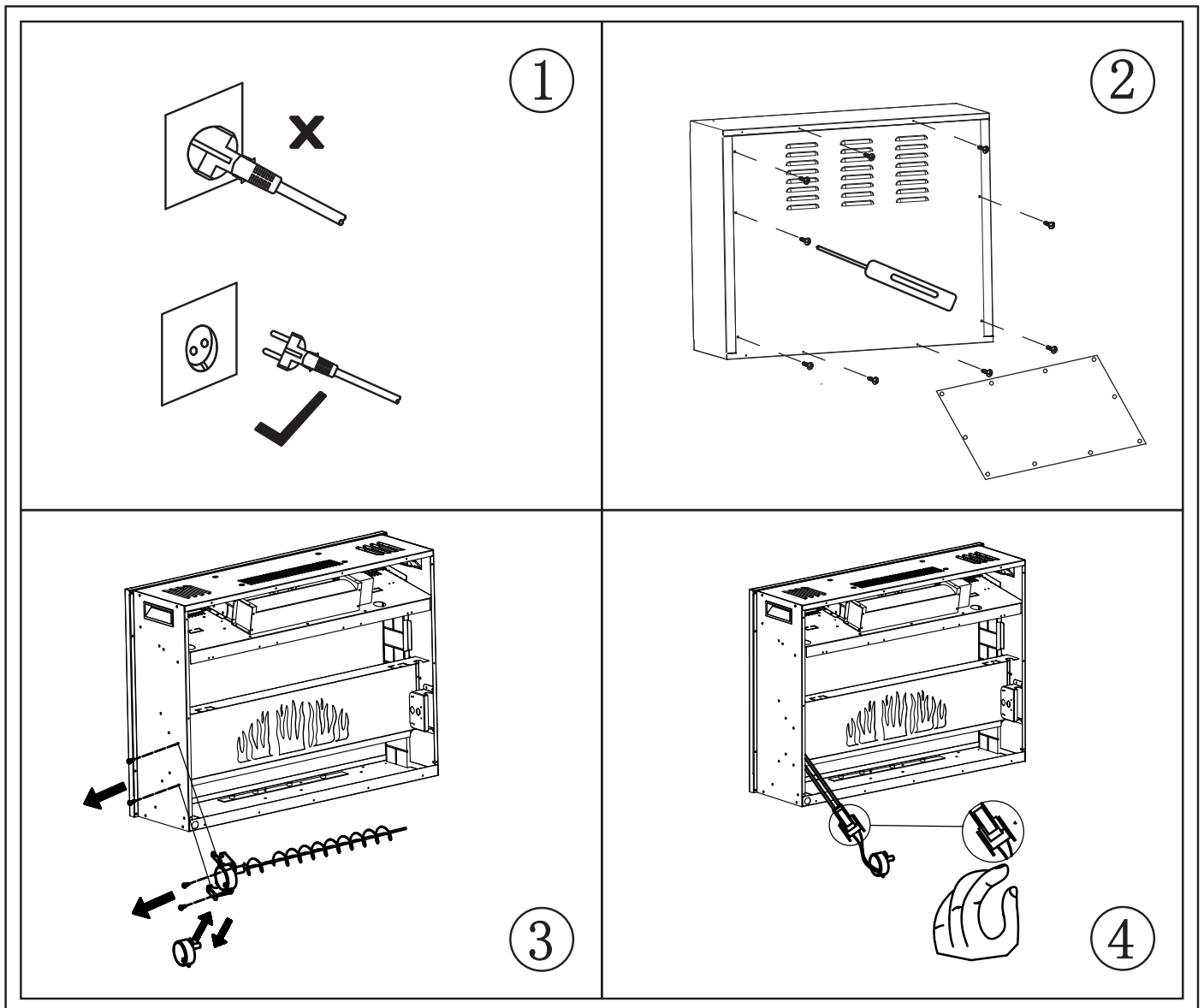
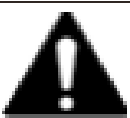


Flame Motor Replacement Guideline



1. Unplugging the power cord from the outlet.
2. Use screw driver to take off all screws and remove the back panel.
3. Un-screwing the flame motor screws.
4. Unplugging the connector, Using a new flame motor to make replacement.
5. Reverse above steps to complete the replacement.



WARNING: Always **unplug** the power cord **before** make replacement, Failure to do so could result in **personal injury** or **property damage**.