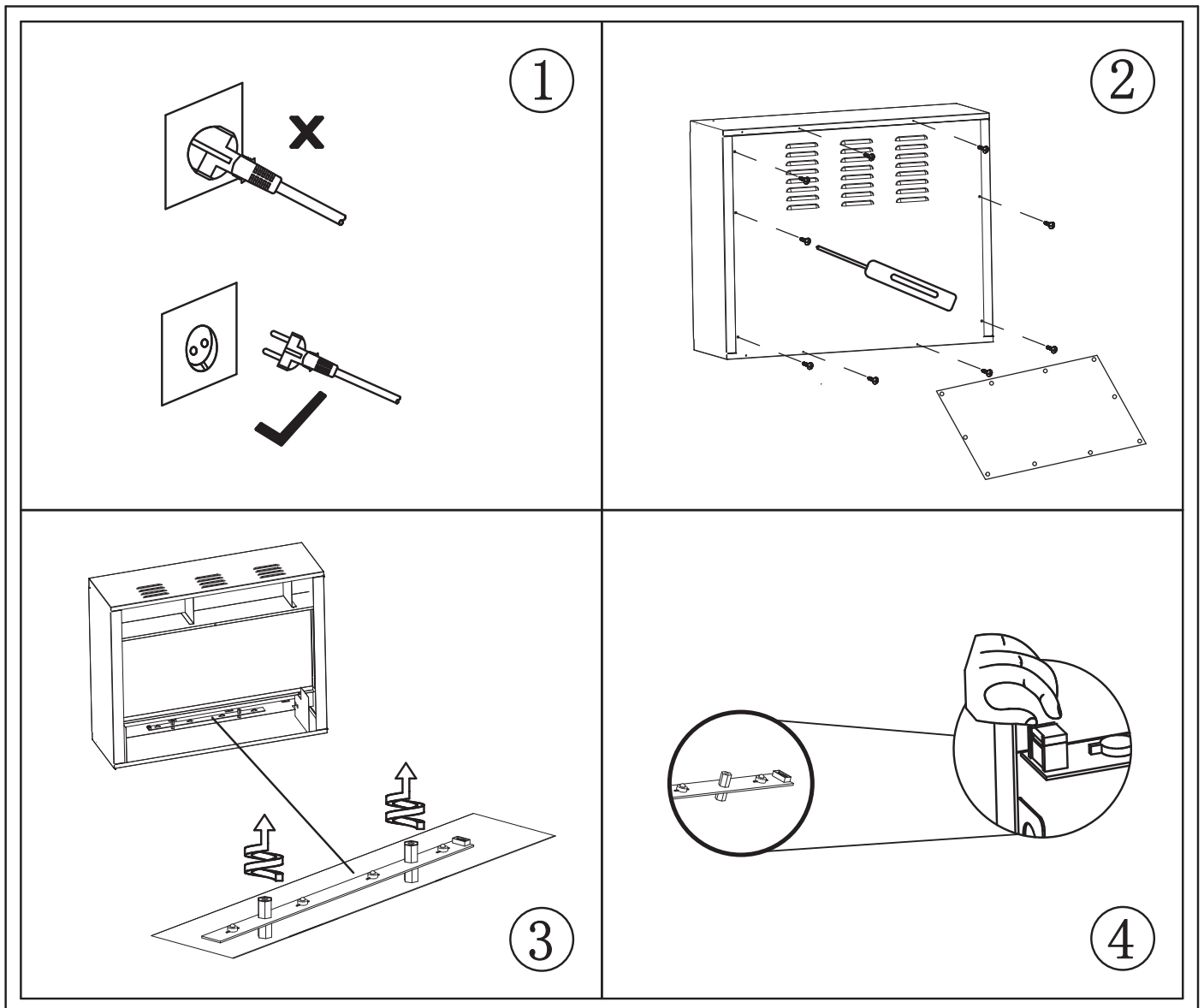


LED Light Replacement Guideline



1. Unplugging the power cord from the outlet.
2. Use screw driver to take off all screws and remove the back panel.
3. Un-screwing the LED strip.
4. Unplugging the LED connector, Using a new LED strip to make replacement.
5. Reverse above steps to complete the replacement.



WARNING: Always **unplug** the power cord **before** make **replacement**, Failure to do so could result in **personal injury** or **property damage**.