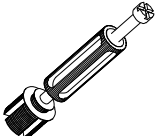

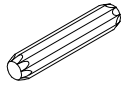
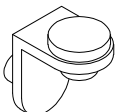
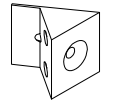

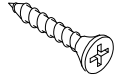
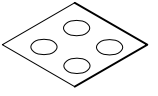
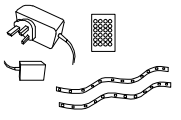
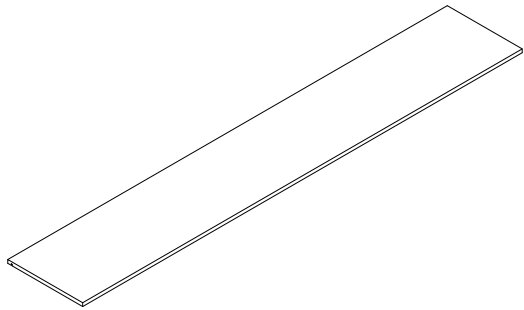


Electronic fireplace individually packaged

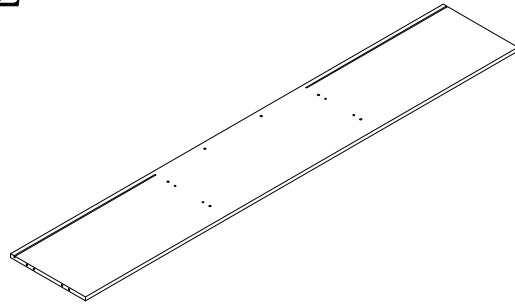
<p>A</p>  <p>44PCS</p>	<p>B</p>  <p>44PCS</p>	<p>C</p> <p>8*40</p>  <p>24PCS</p>	<p>D</p>  <p>16PCS</p>	<p>E</p>  <p>16PCS</p>	<p>F</p> <p>3*12</p>  <p>16PCS</p>	<p>G</p> <p>3.5*14</p>  <p>16PCS</p>	<p>H</p>  <p>4PCS</p>	<p>LED</p>  <p>1PCS</p>
--	---	---	---	--	---	---	--	--

1



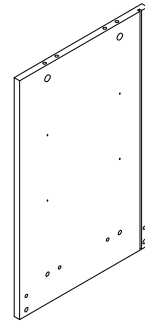
2000*340 1PS

2



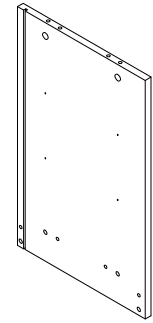
1968*340 1PS

3



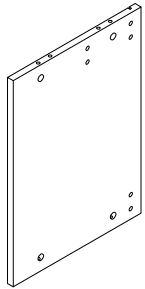
550*340 1PS

4



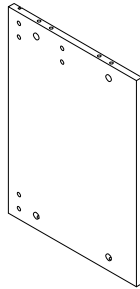
550*340 1PS

5



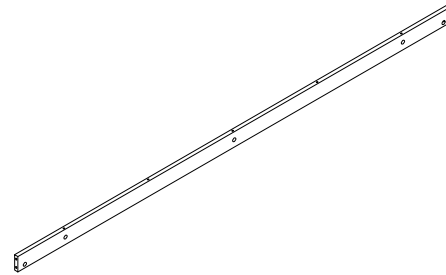
475*340 1PS

6



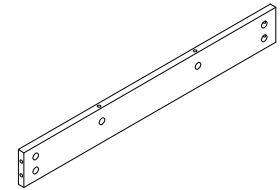
475*340 1PS

7



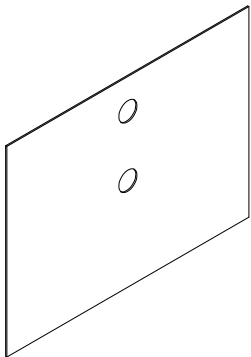
1968*60 2PS

8



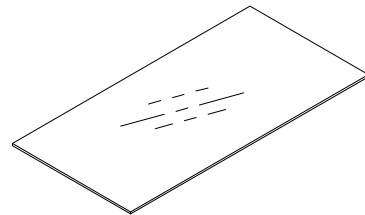
670*80 3PS

9



644*485 2PS

10



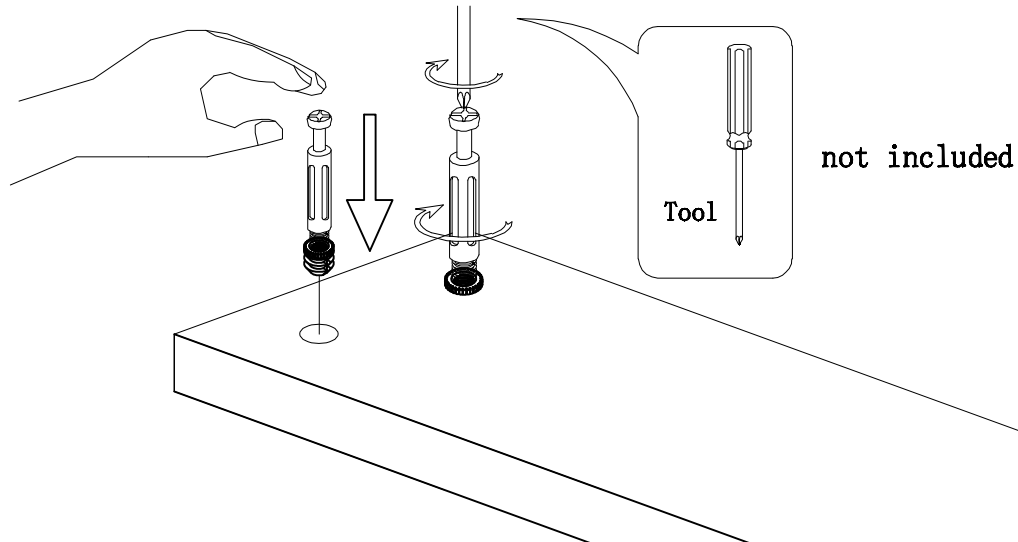
632*315 4PS



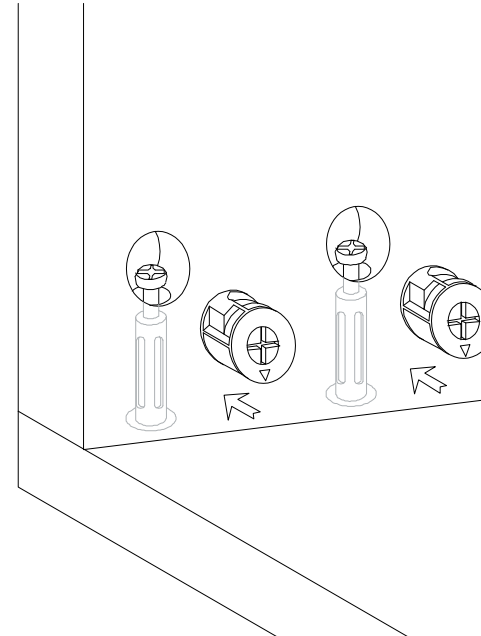
Hardware installation demonstration

NOTE: Please make sure "A" hardware tightened and can't be pulled out!

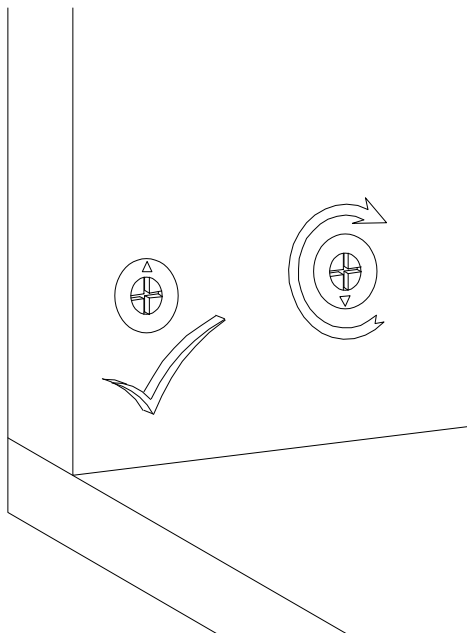
I



II



III

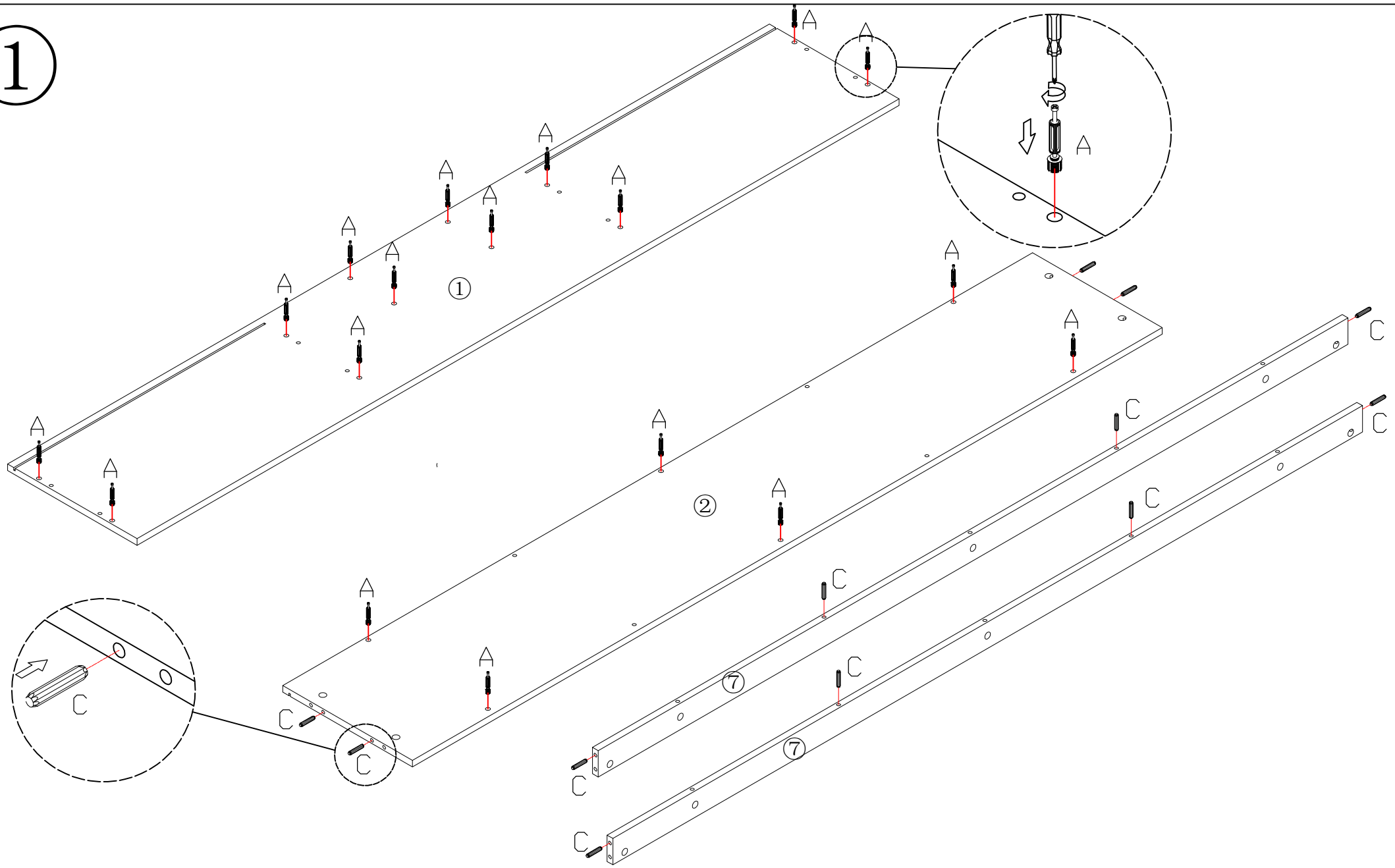


IV



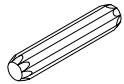
Scan QR code for assembly video

1



A*18

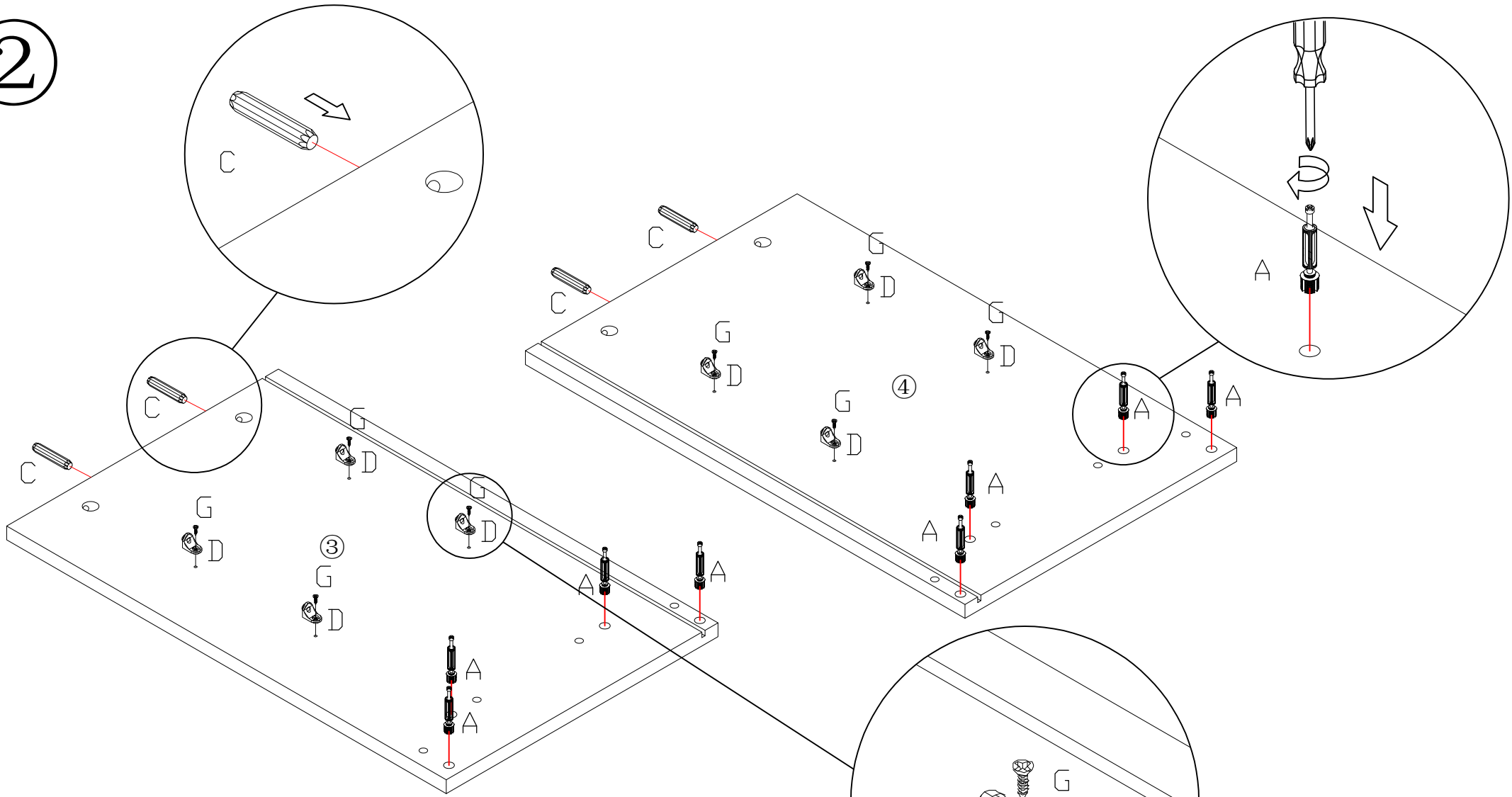
put A on board ①②


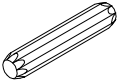




C*12

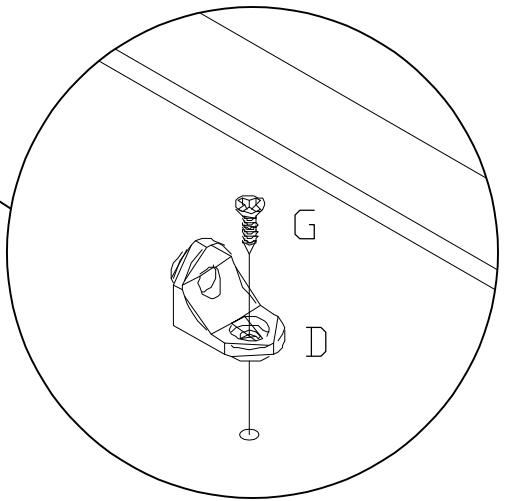
put C on board ②⑦

2

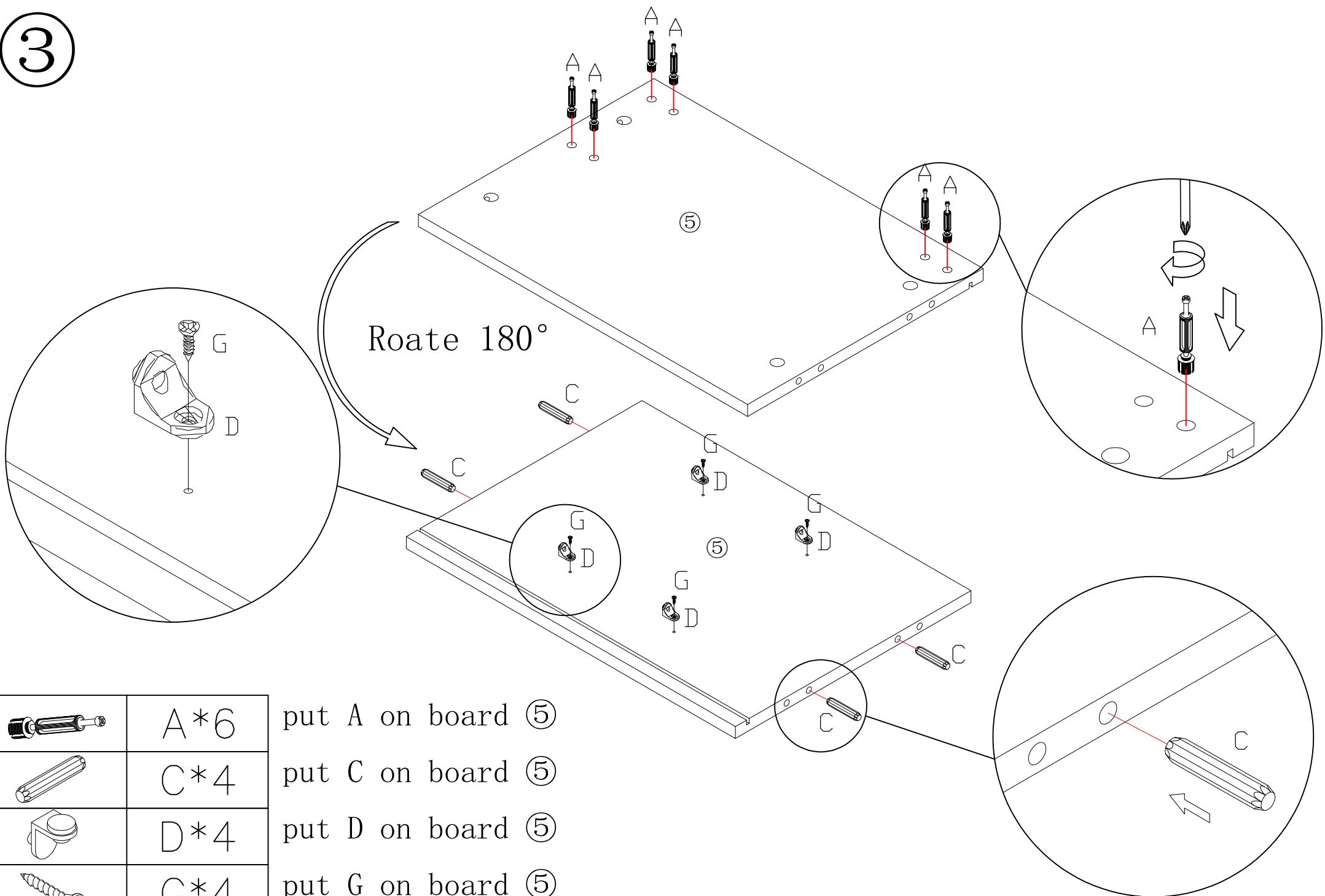



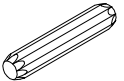

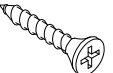
	A*8
	C*4
	D*8
	G*8

put A on board ③④
put C on board ③④
put D on board ③④
put G on board ③④



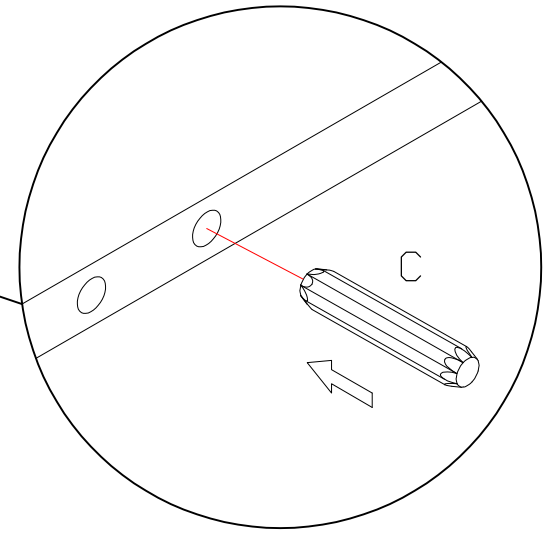
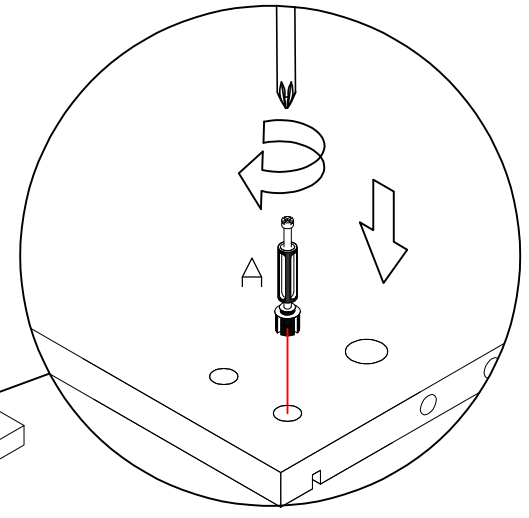
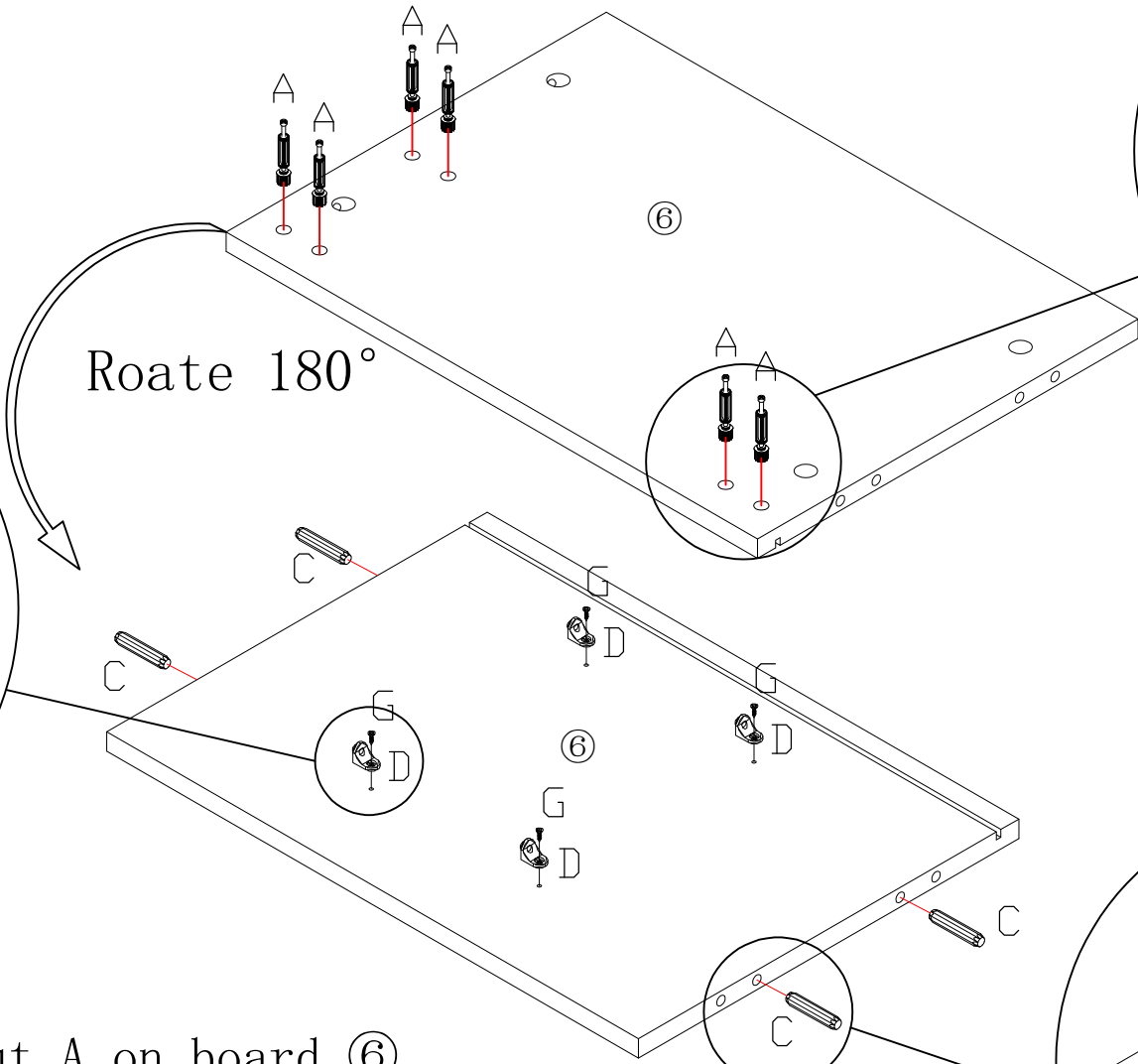
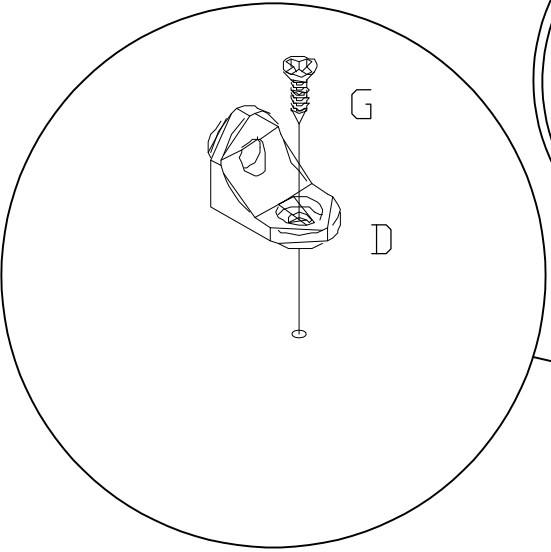
3


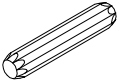




	A*6	put A on board ⑤
	C*4	put C on board ⑤
	D*4	put D on board ⑤
	G*4	put G on board ⑤

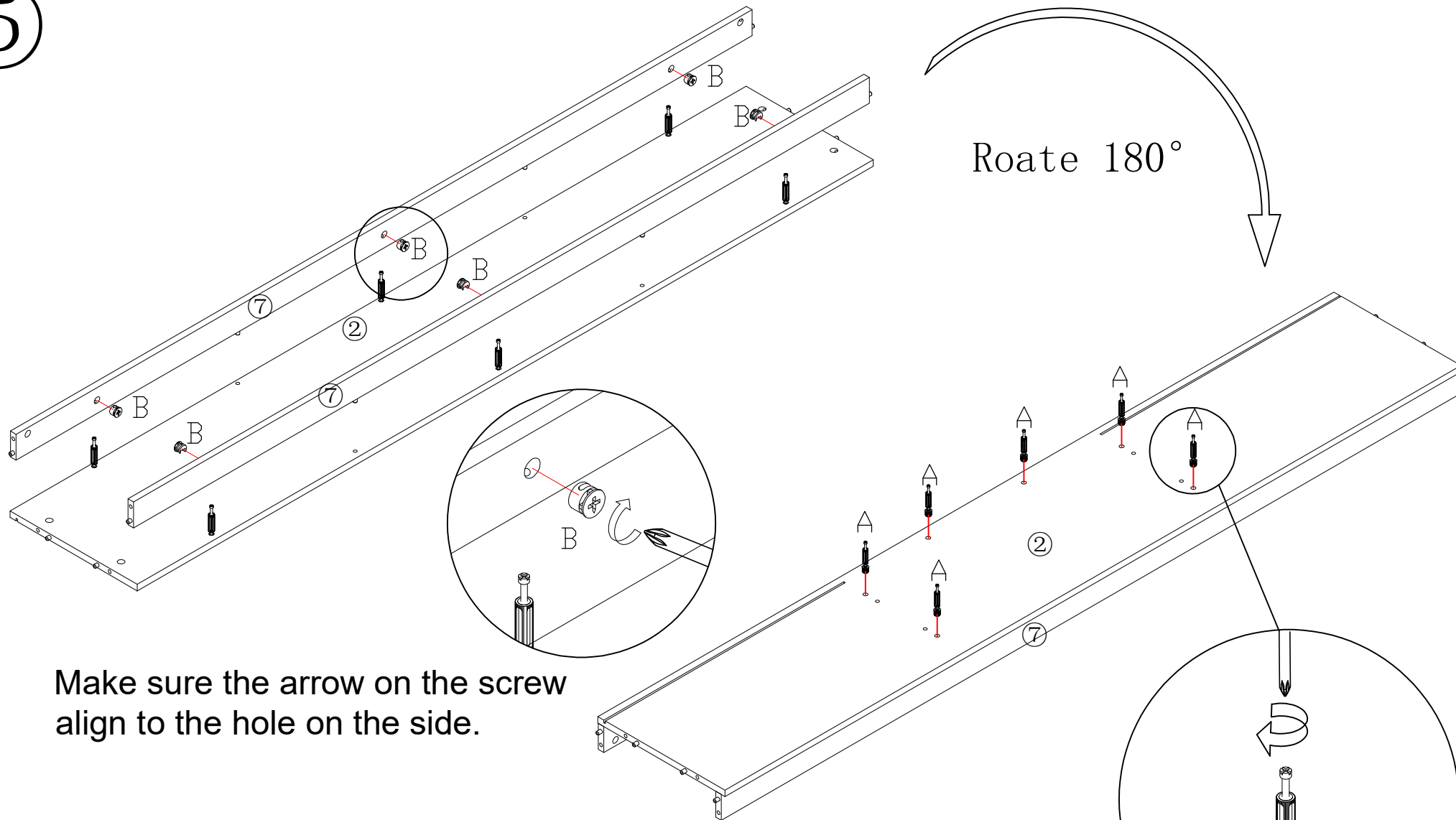
4

Roate 180°





	A*6	put A on board ⑥
	C*4	put C on board ⑥
	D*4	put D on board ⑥
	G*4	put G on board ⑥

5



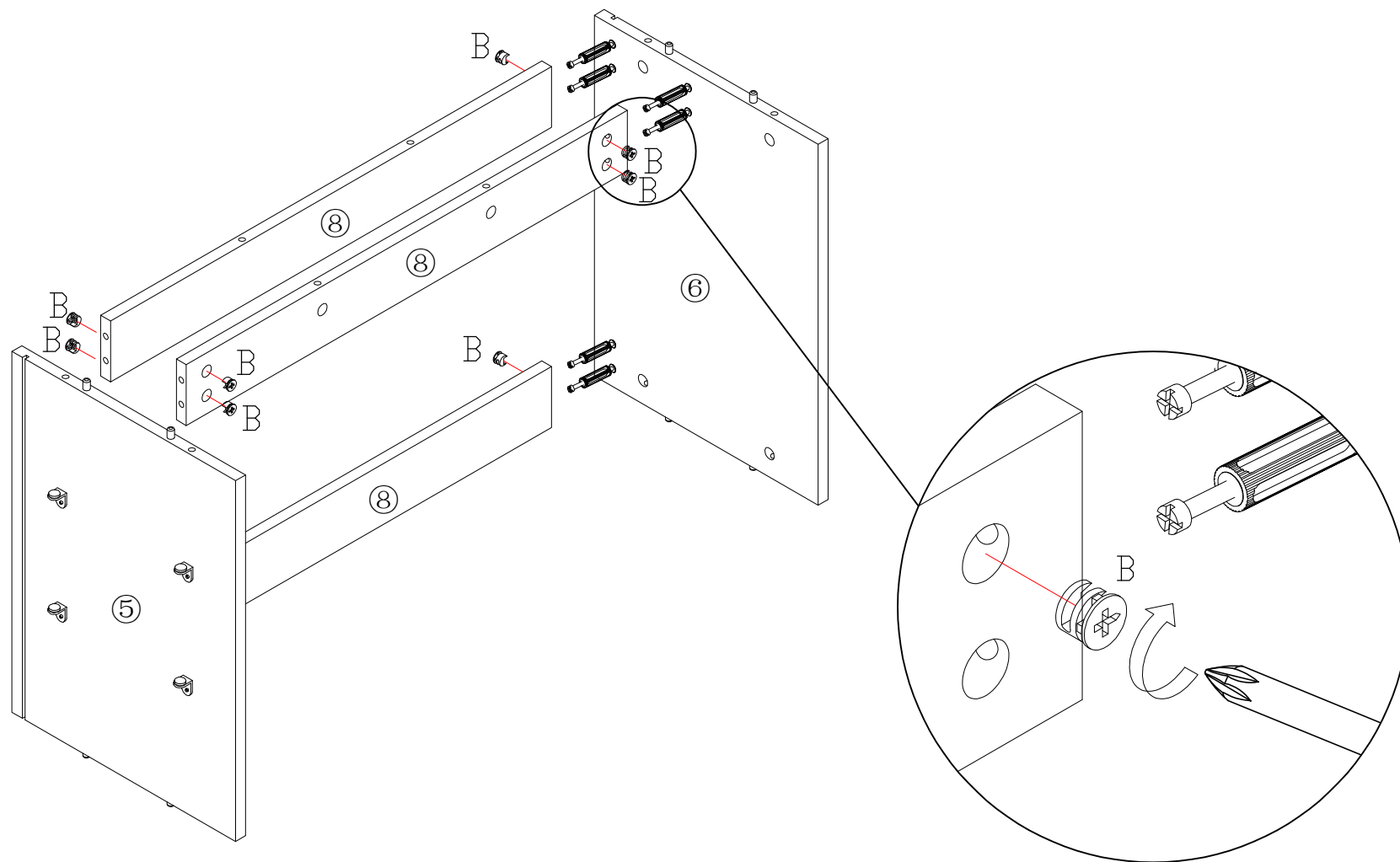
Make sure the arrow on the screw align to the hole on the side.

	A*6
	B*6

put A on board ②

put B on board ⑦

6

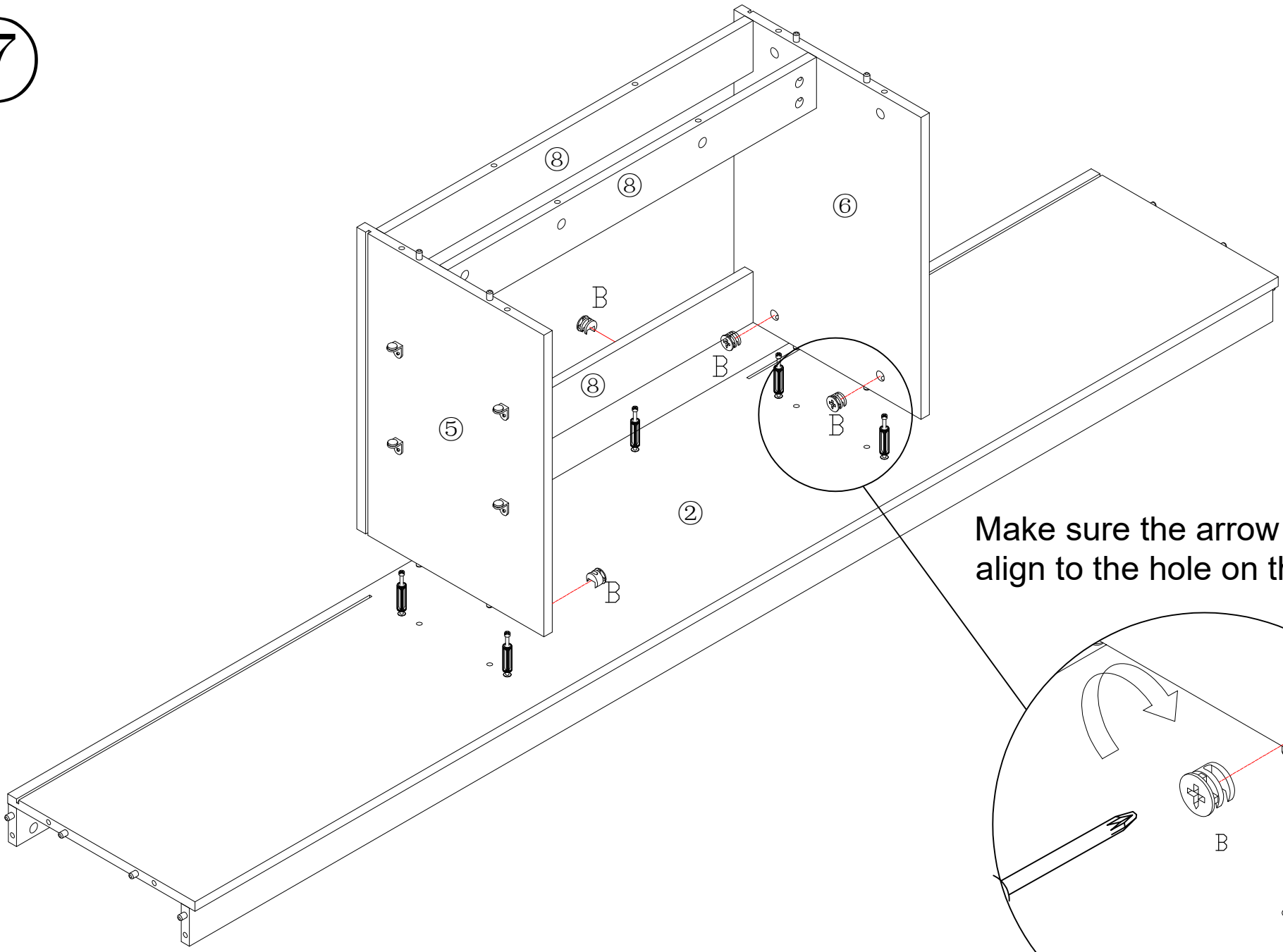


Make sure the arrow on the screw align to the hole on the side.

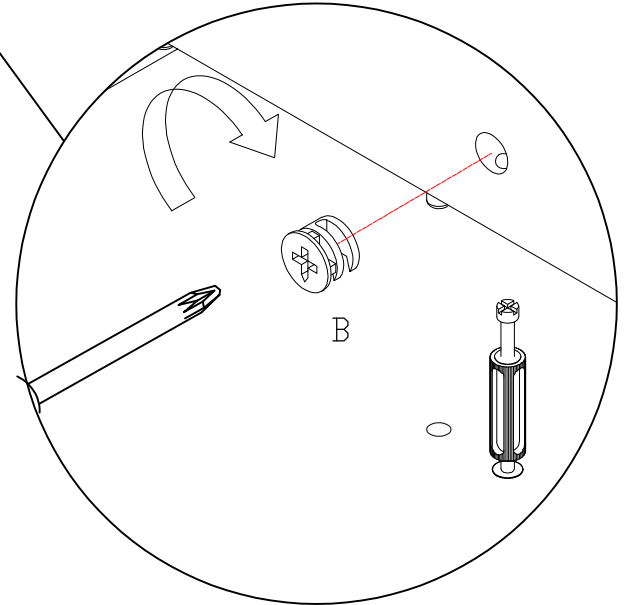


B*12 put B on board ⑧

7



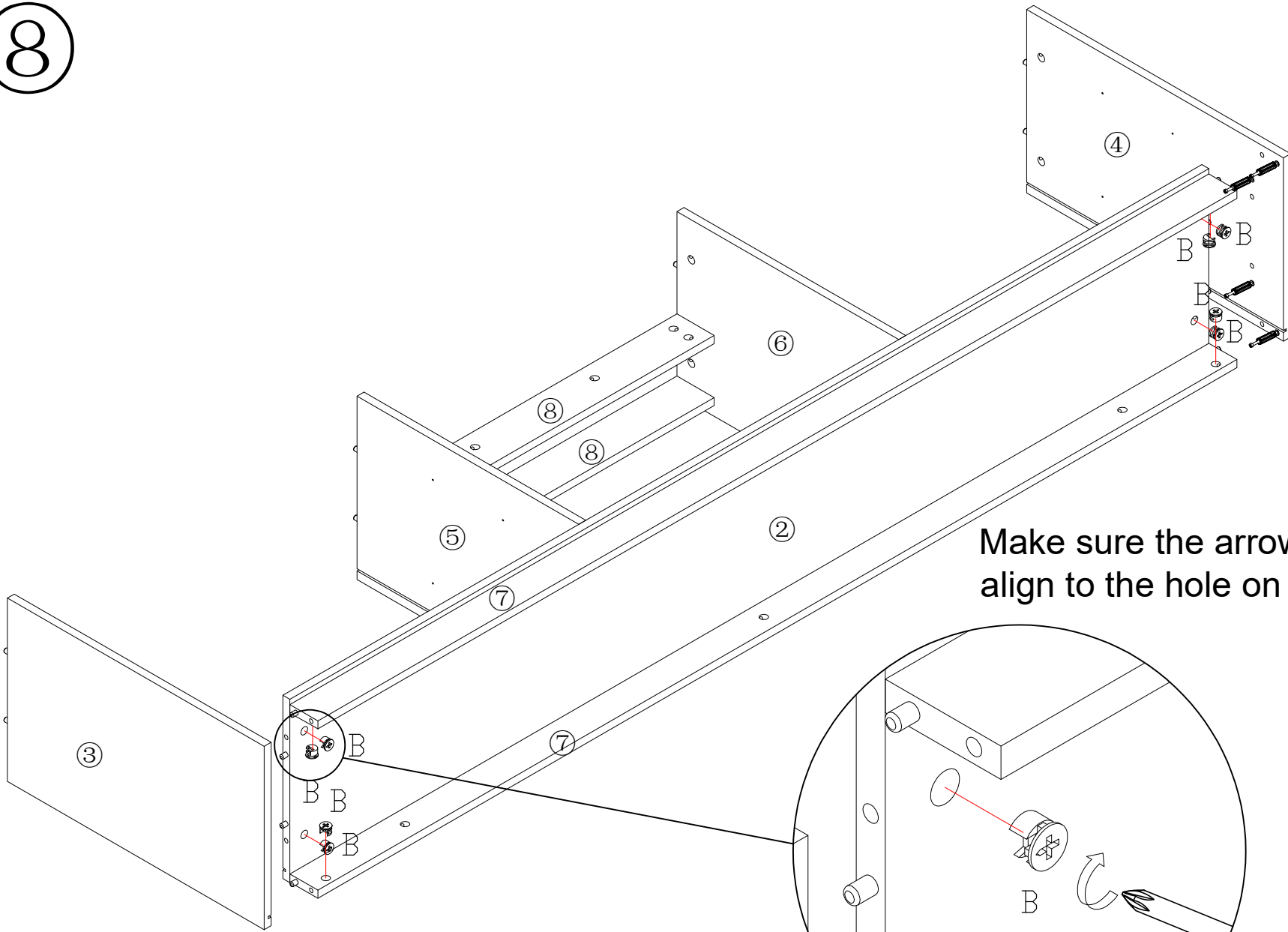
Make sure the arrow on the screw align to the hole on the side.



B*6

put B on board ⑤⑥⑧

8



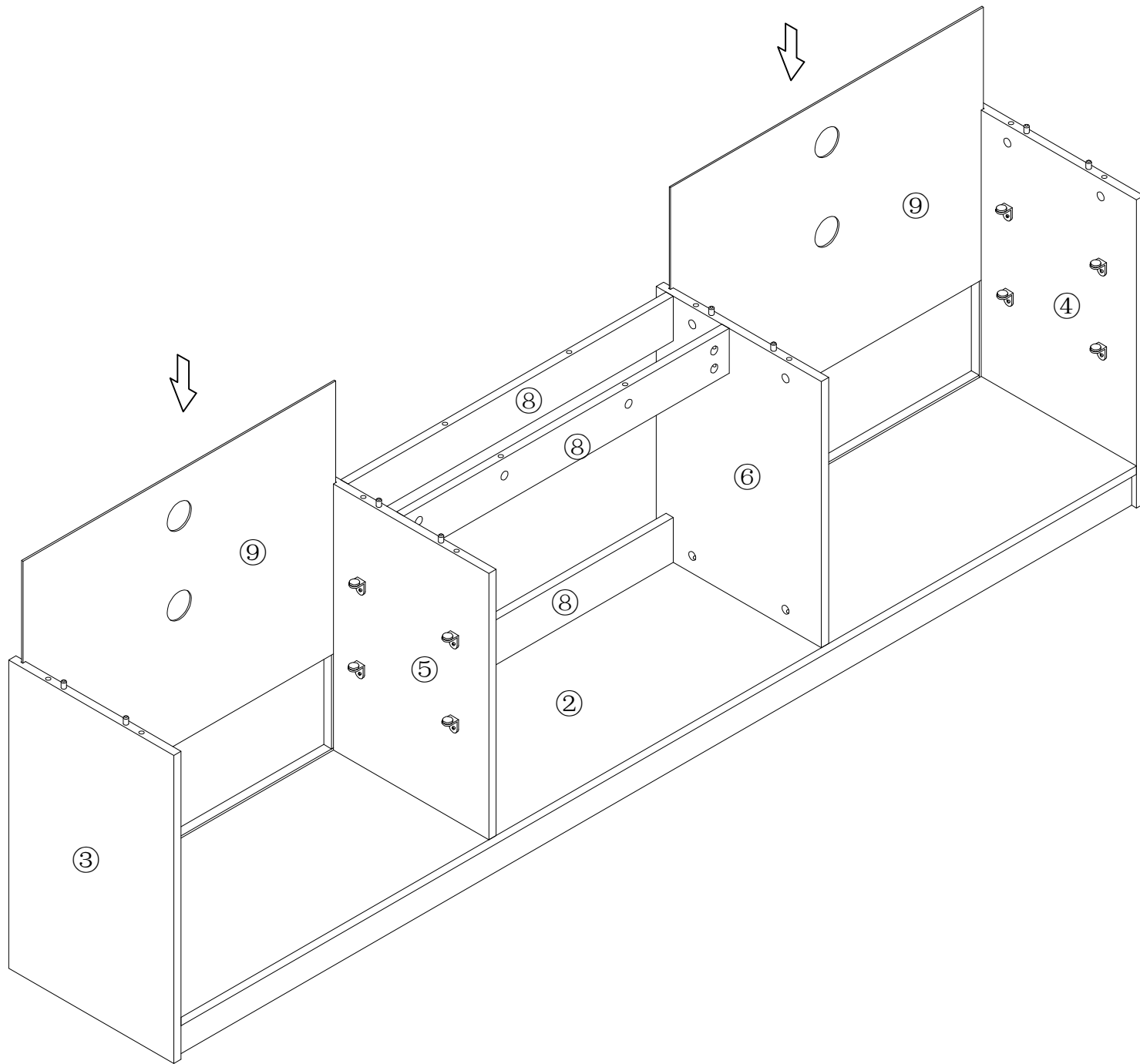
Make sure the arrow on the screw align to the hole on the side.



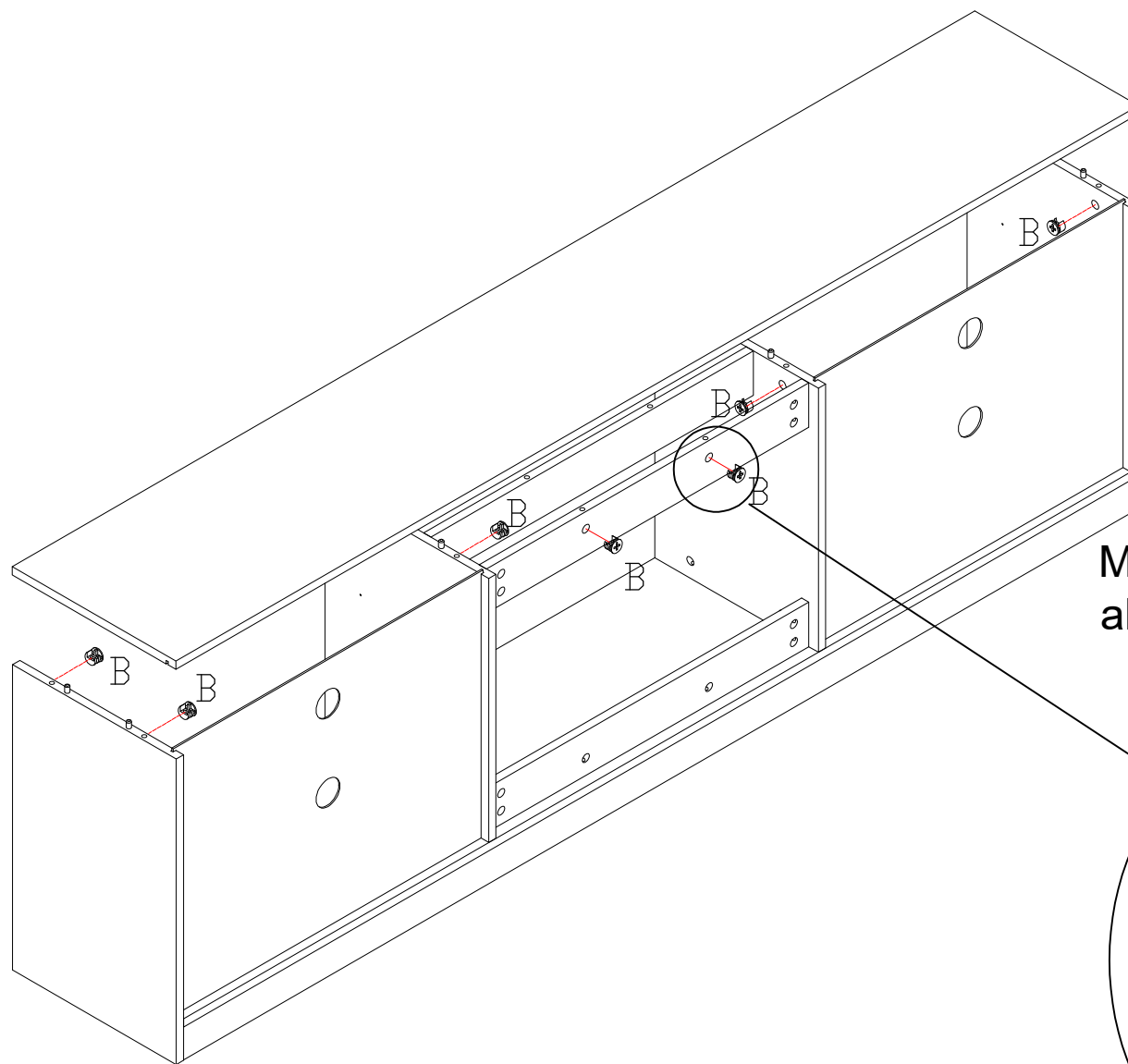
B*8

put B on board ③④⑦

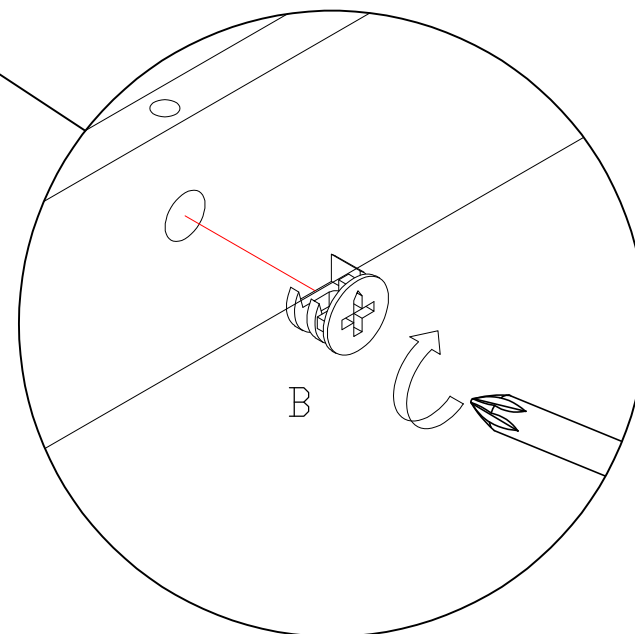
9



10



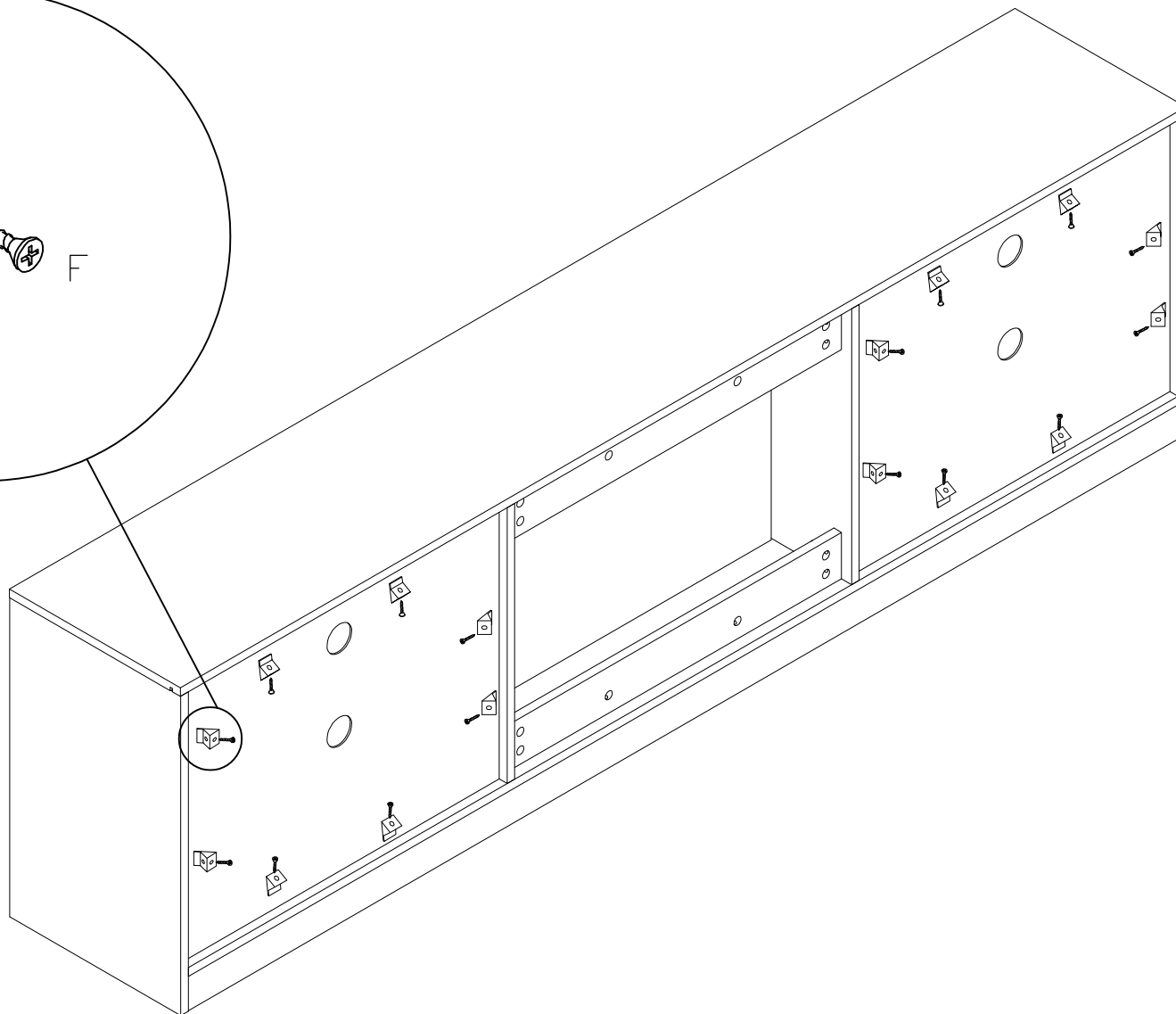
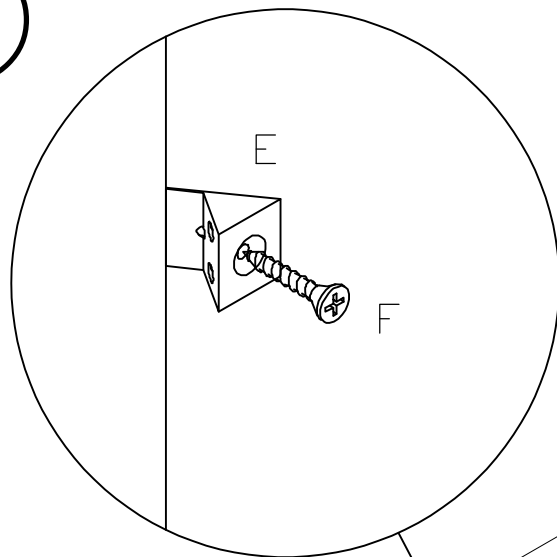
Make sure the arrow on the screw align to the hole on the side.



B*12

put B on board ③④⑤⑥⑧

11



E*16

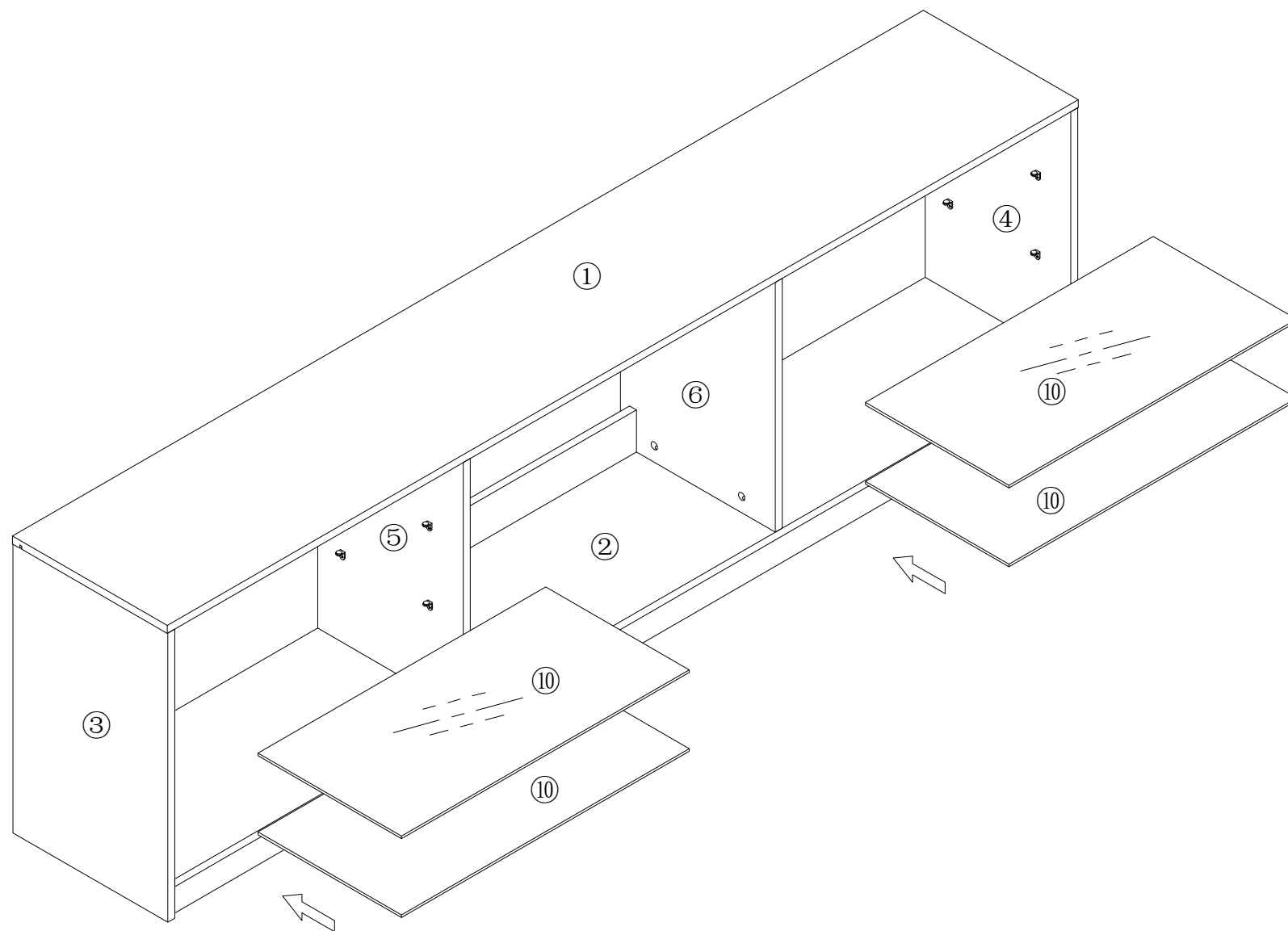
put E on board ⑨



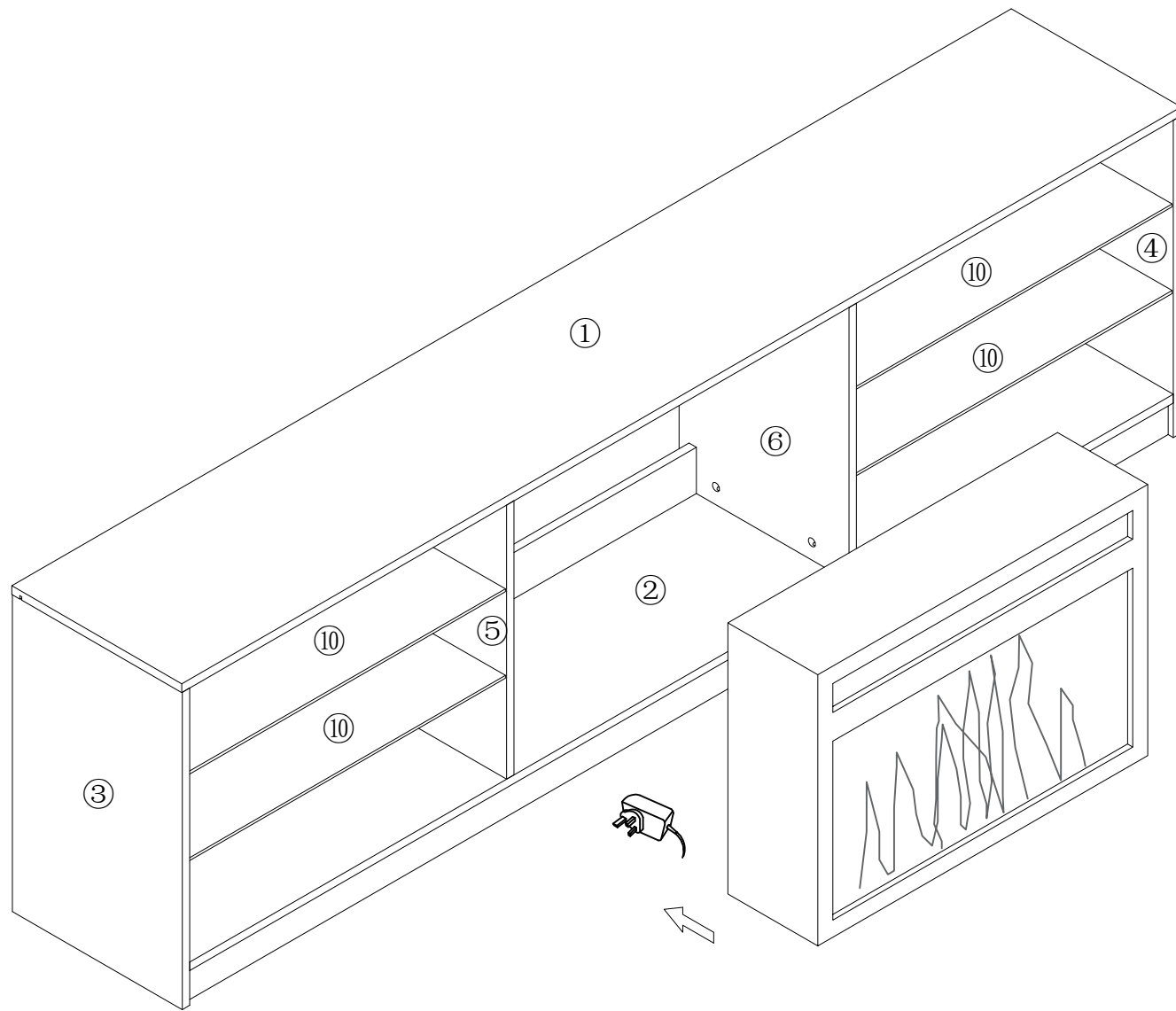
F*16

put F on board ⑨

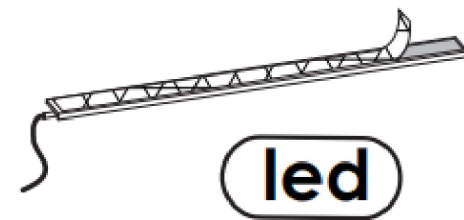
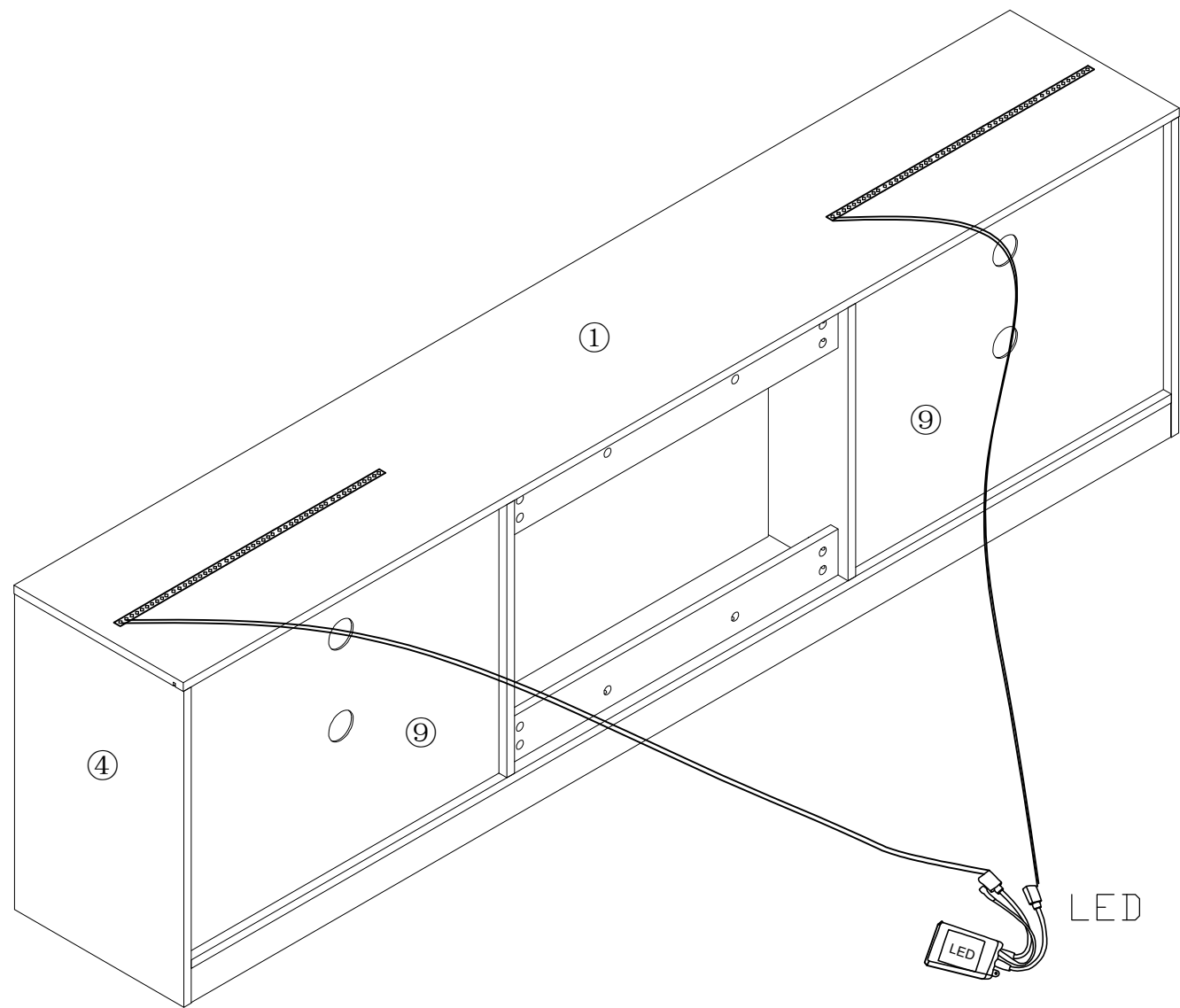
12



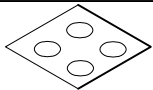
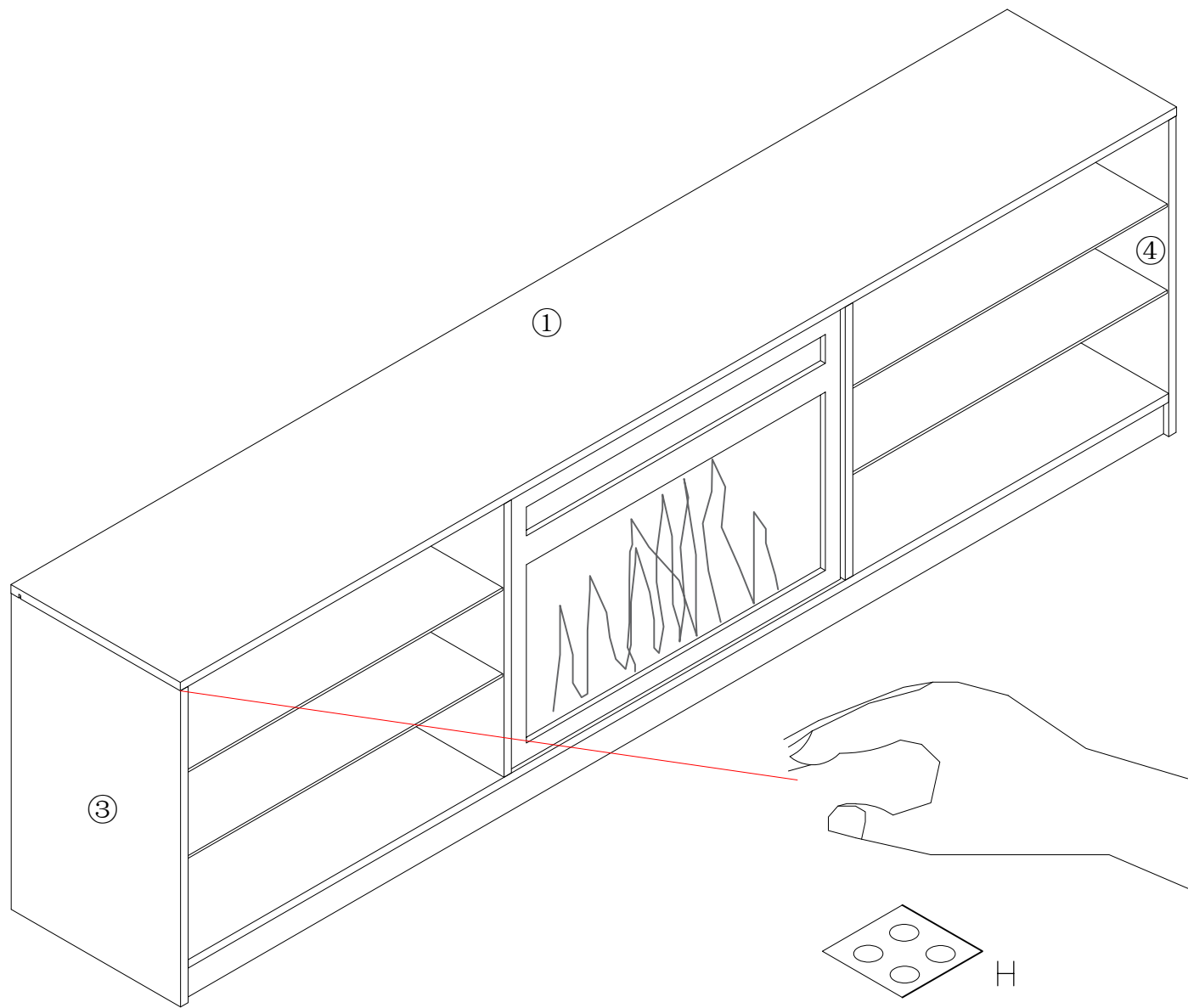
13



14



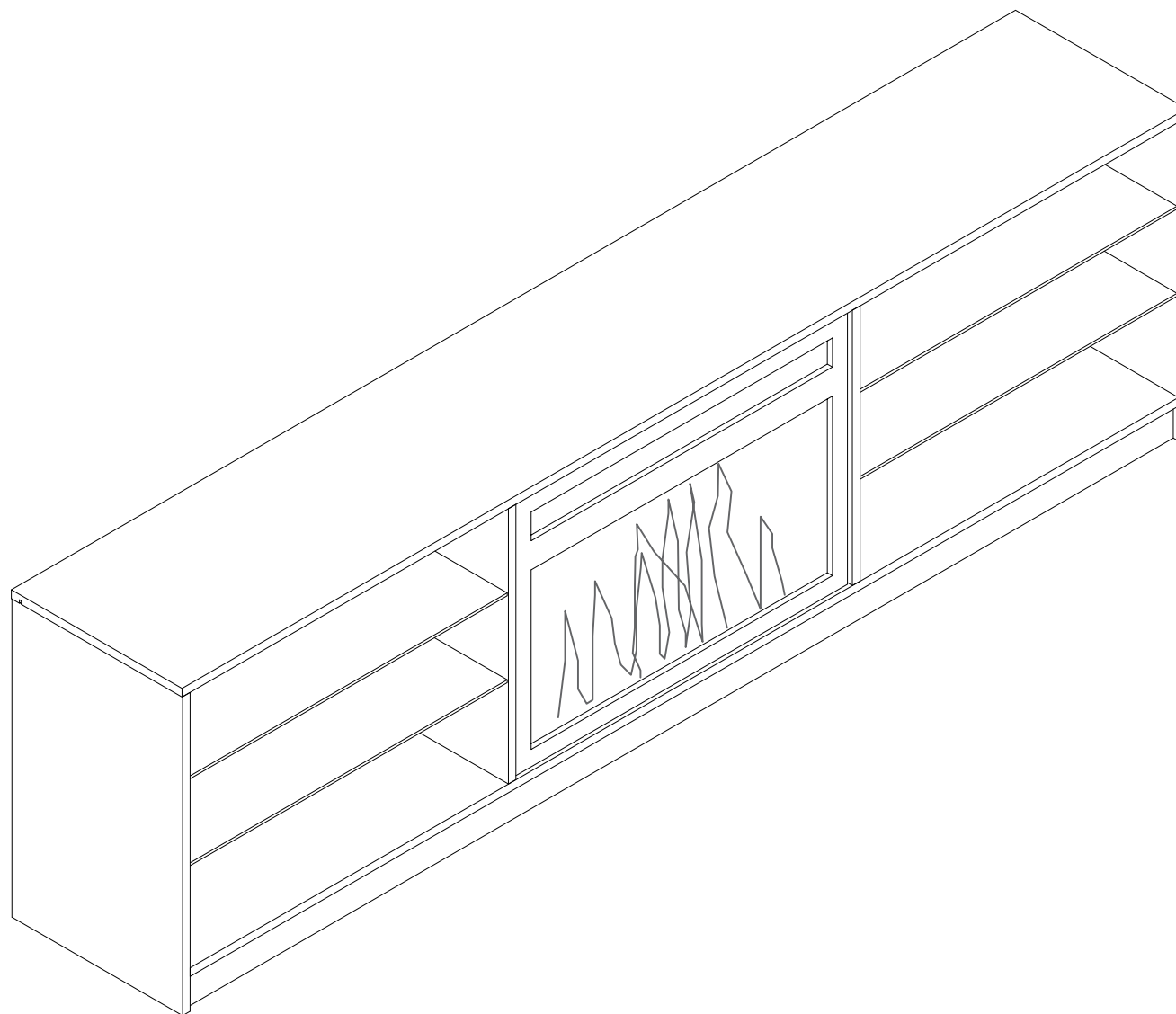
15



H*4

put H on board ③④

16



LED Light

If you can't let the lights work successfully, please check the following:

1. Please check the direction of the connect, try it in the opposite direction, according to the following picture.
2. Please check the remote control, it need you to tear down the plastic septum before use it.
3. Don't let the remote control too far from the receiver, make sure there is no obstruction between them.

