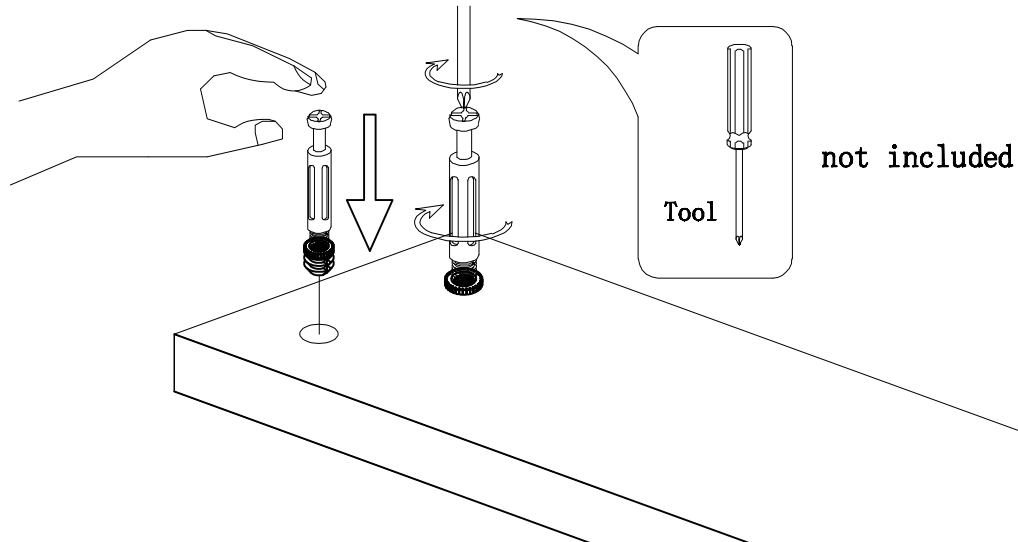




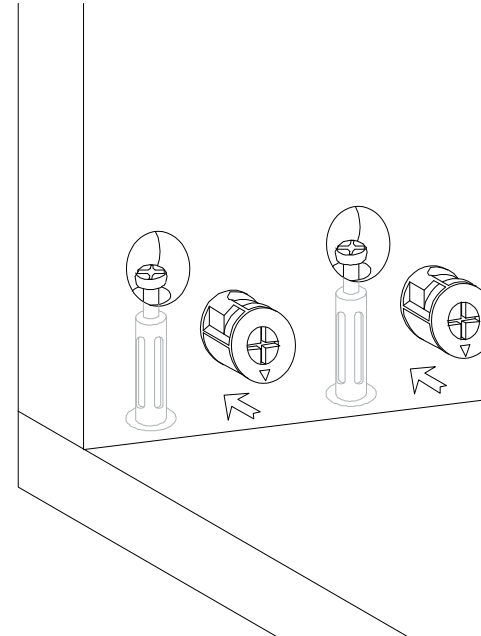
Hardware installation demonstration

NOTE: Please make sure "A" hardware tightened and can't be pulled out!

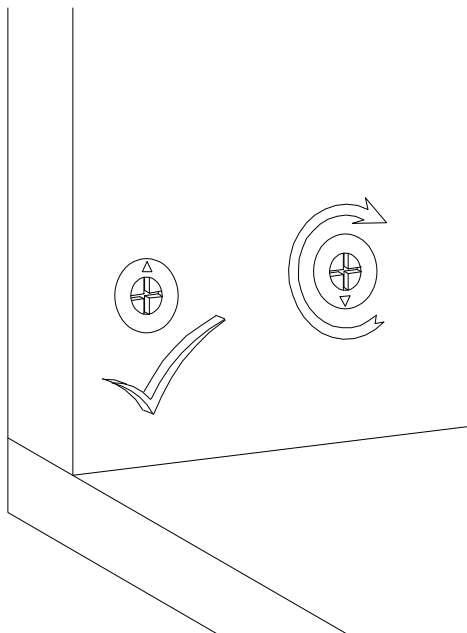
I



II



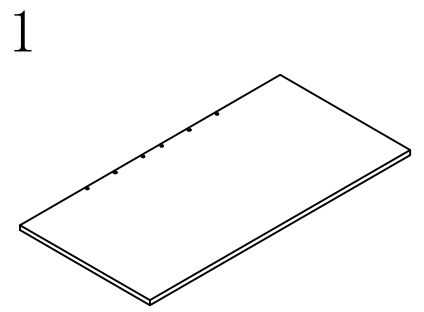
III



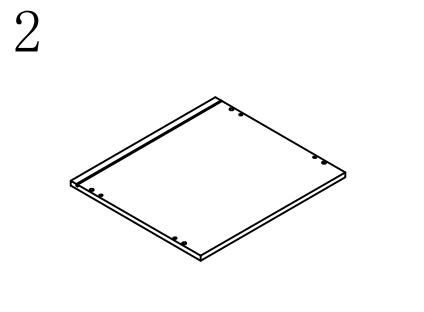
IV



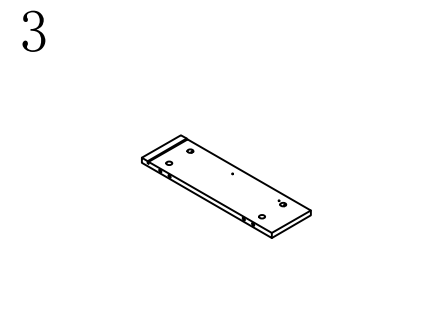
Scan QR code for assembly video



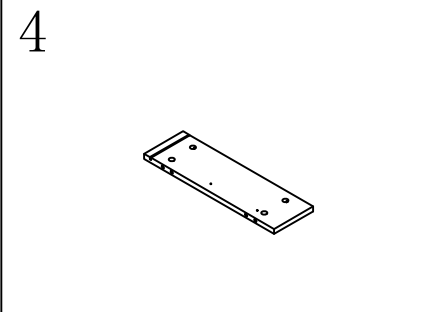
900*450 1PS



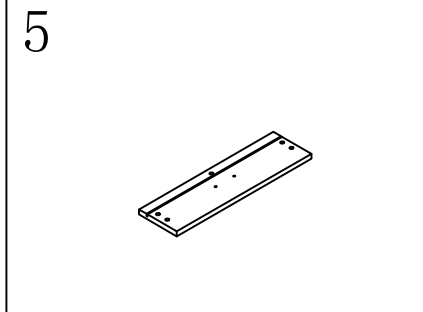
500*450 1PS



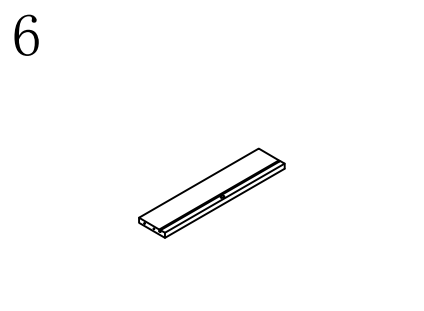
135*450 1PS



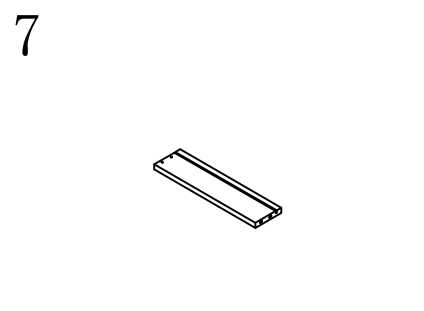
135*450 1PS



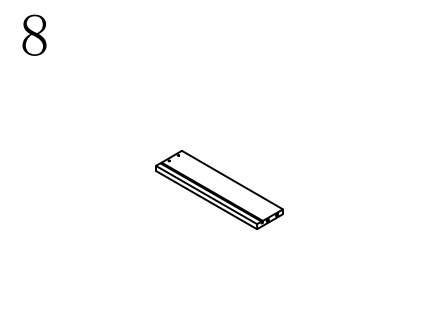
465*131 1PS



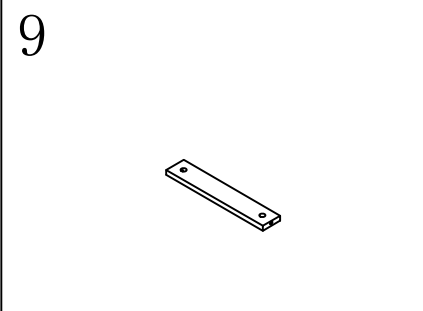
414*90 1PS



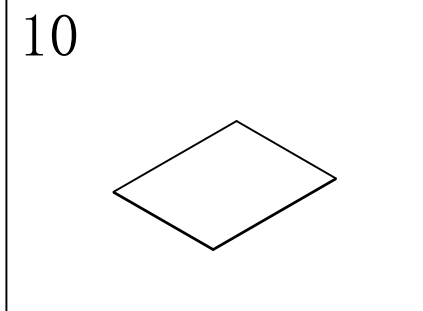
350*90 1PS



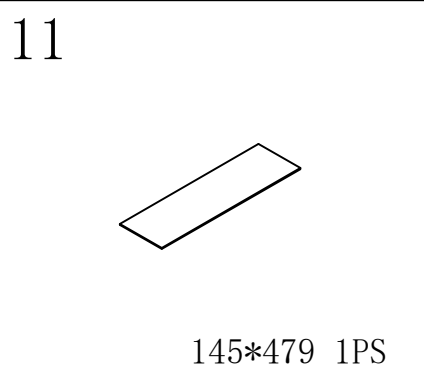
350*90 1PS



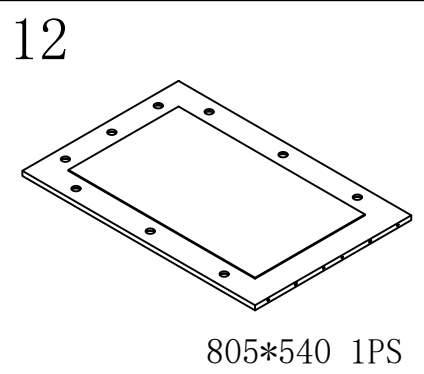
334*60 1PS



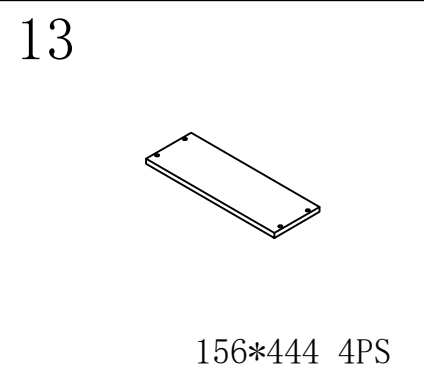
424*344 1PS



145*479 1PS

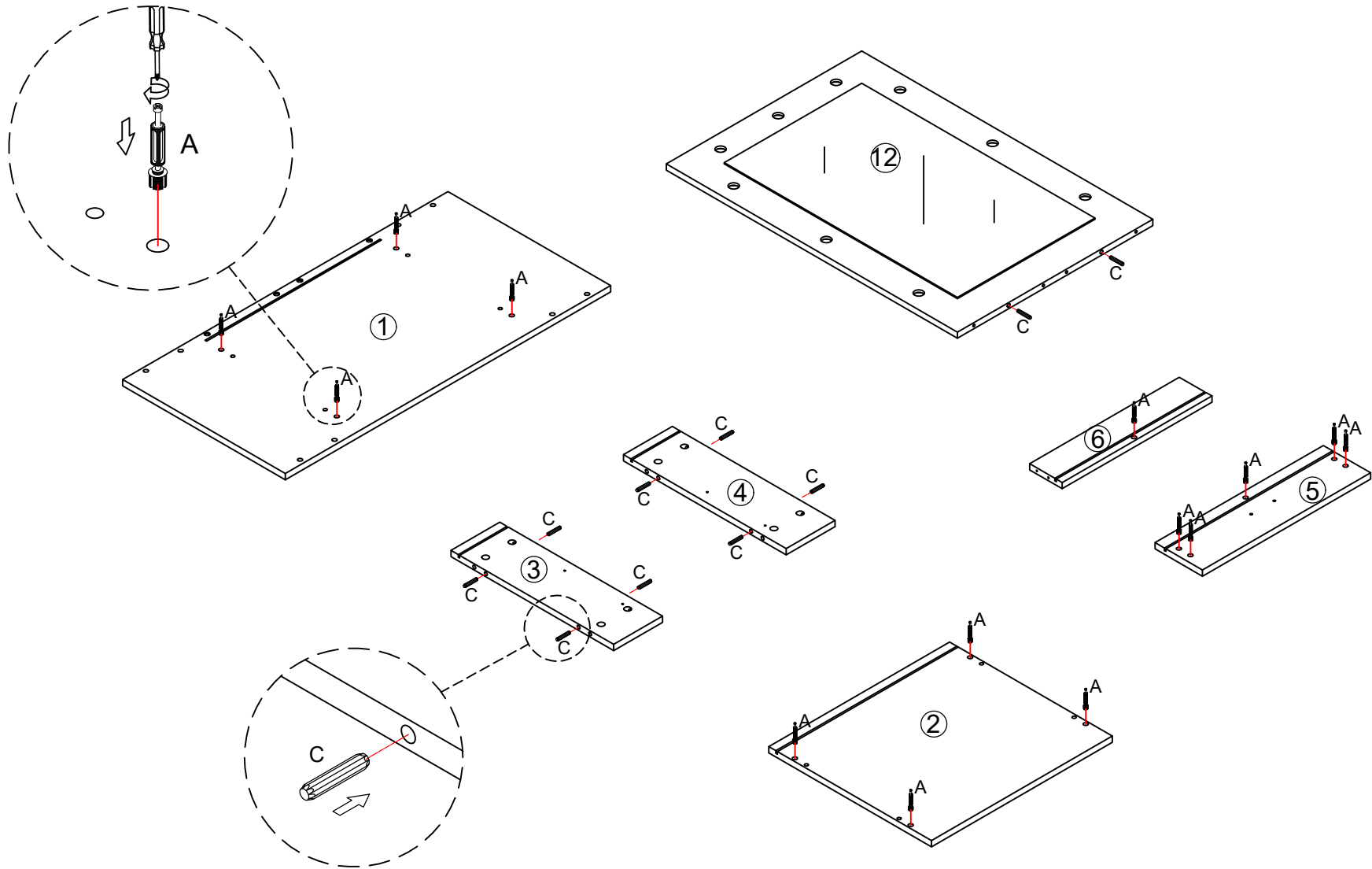



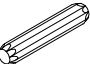
805*540 1PS



156*444 4PS

1

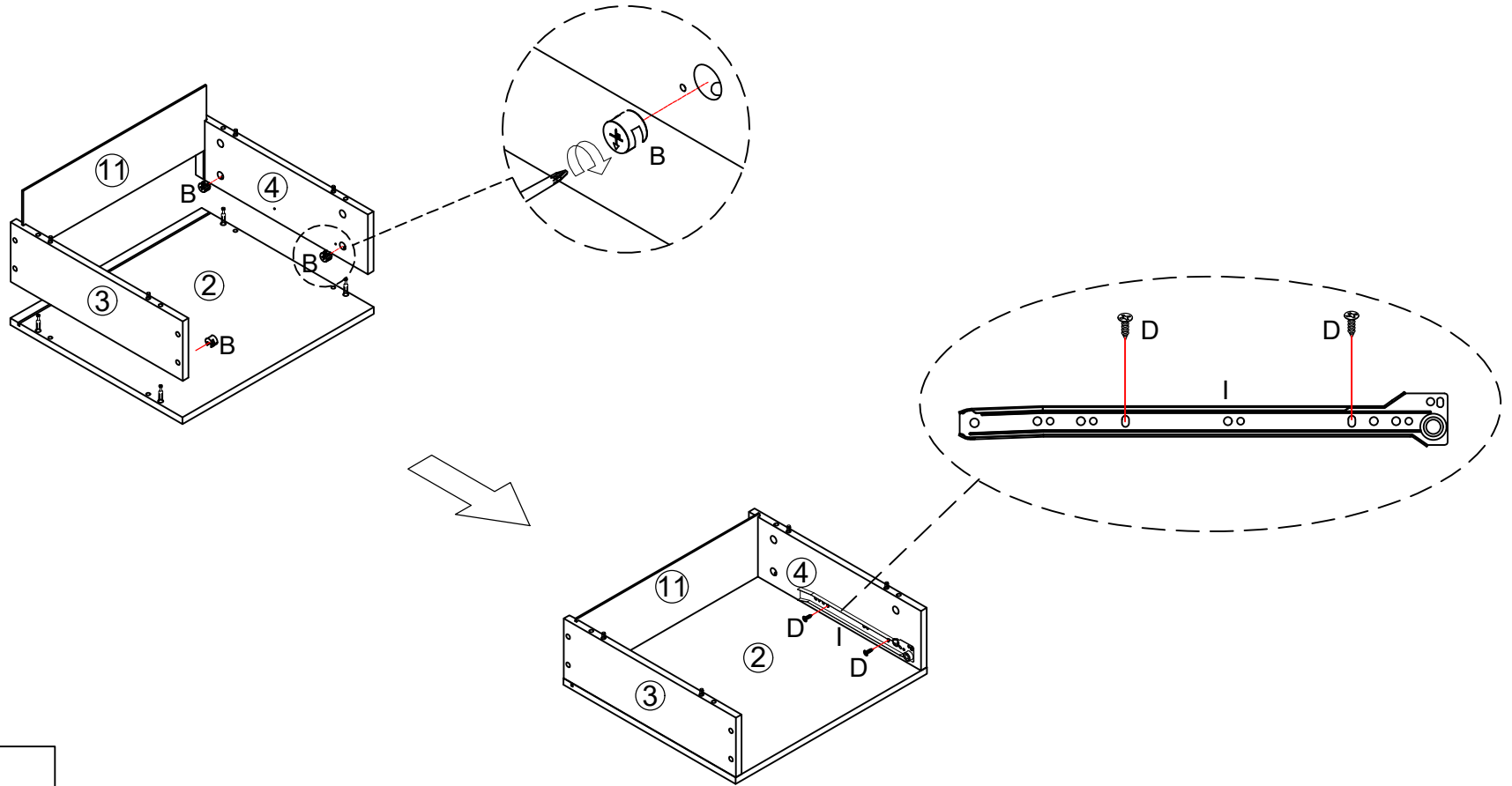


	A*14
	C*10

put A on board ①②⑤⑥
put C on board ③④⑫

2

Make sure the arrow on the screw align to the hole on the side.



put B on board ③④



B*4



D*4

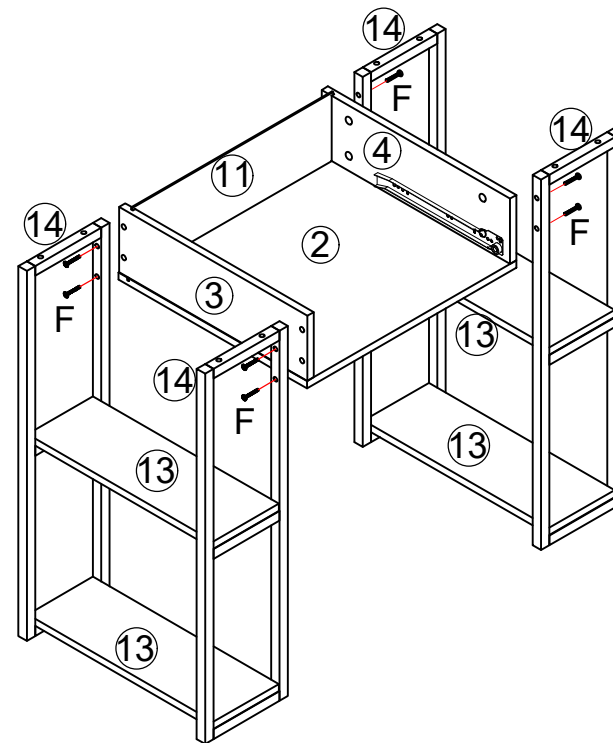
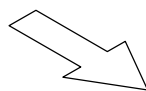
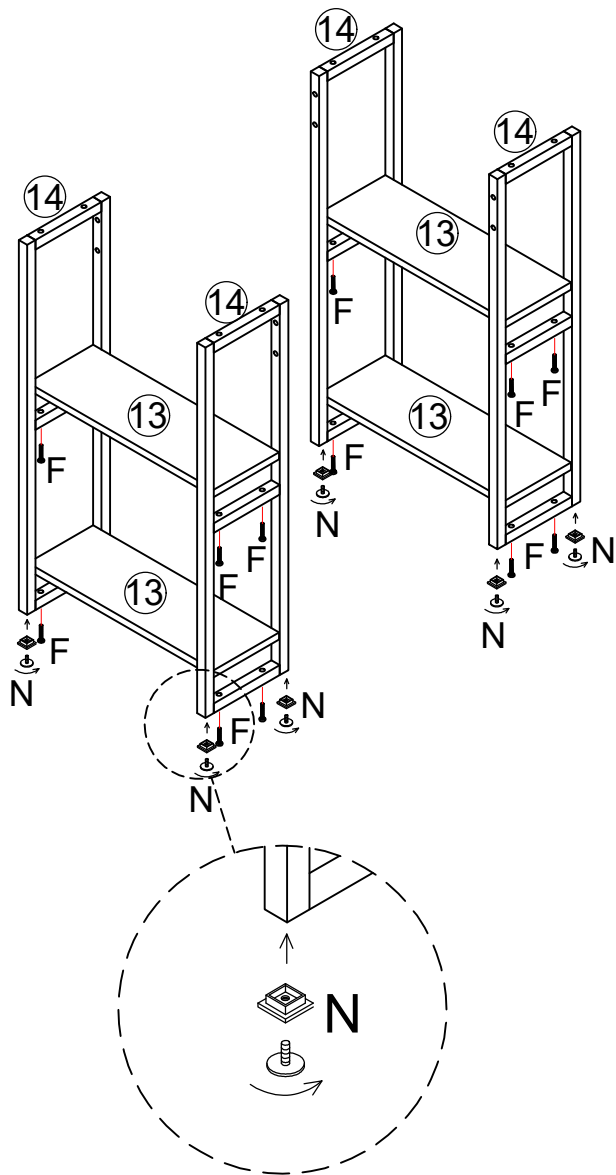


H*1



I*1

3

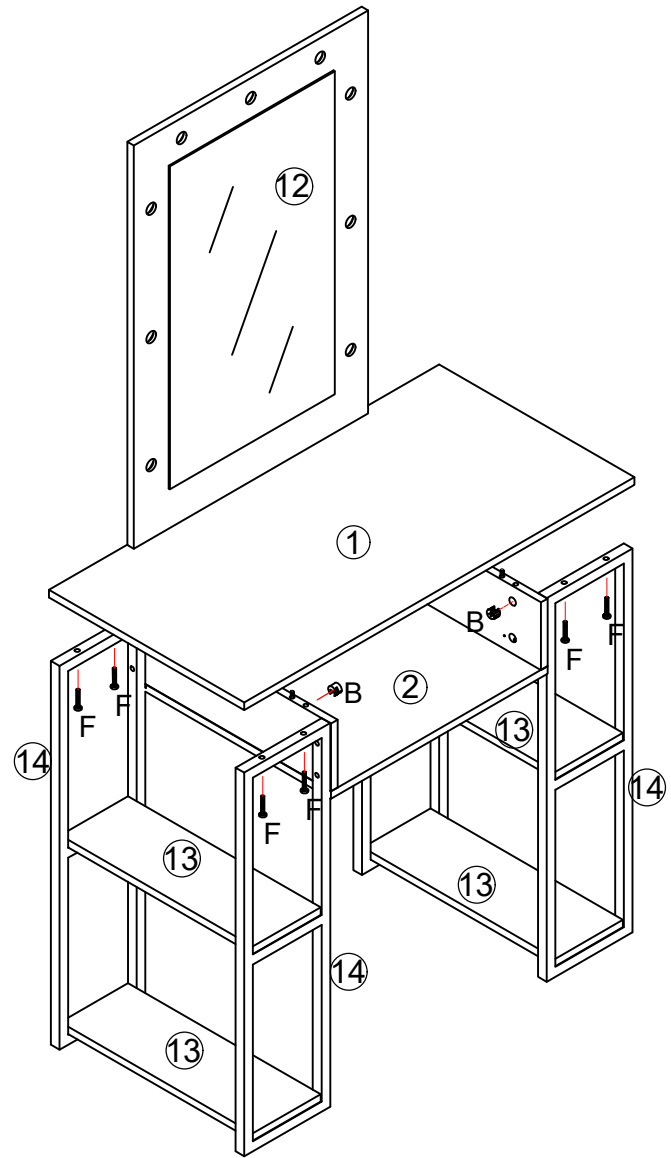
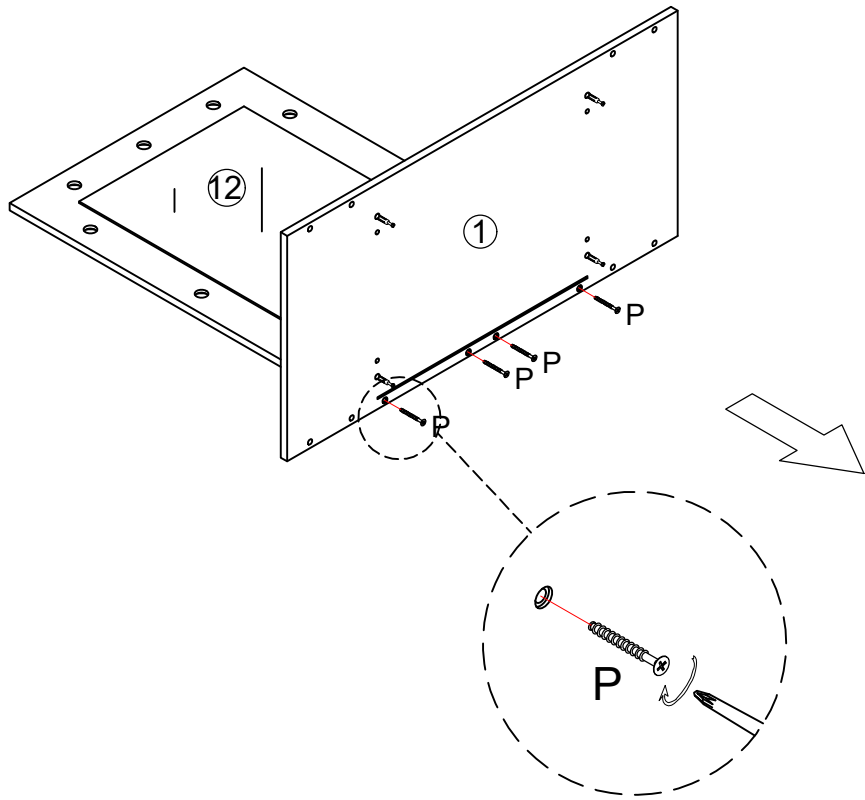


F*24



N*8

4



put B on board ③④



B*4

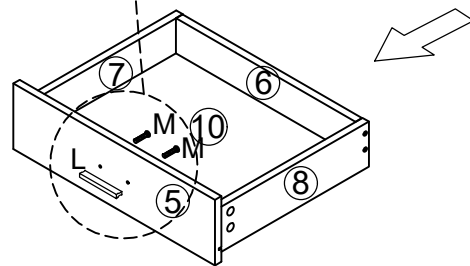
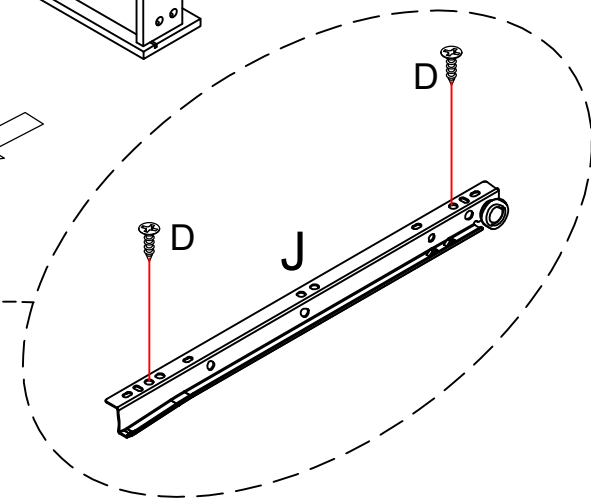
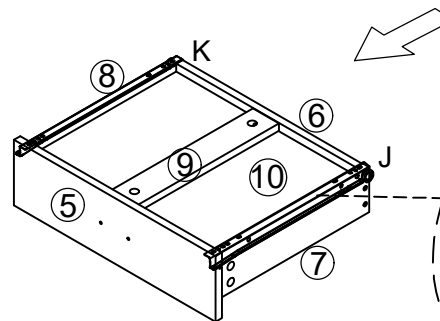
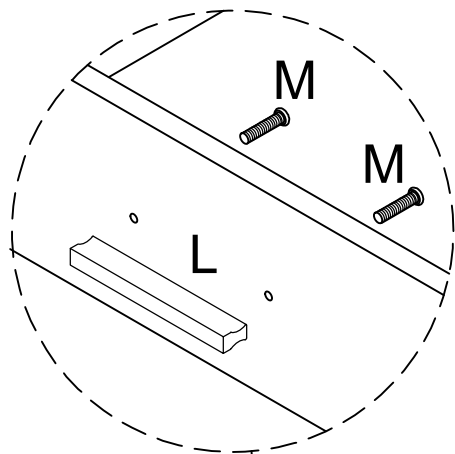
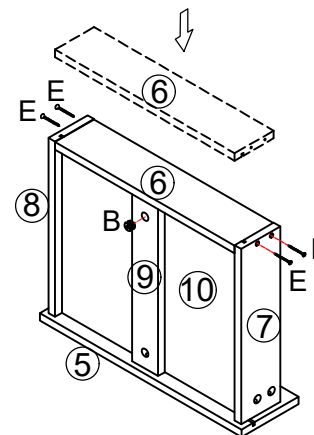
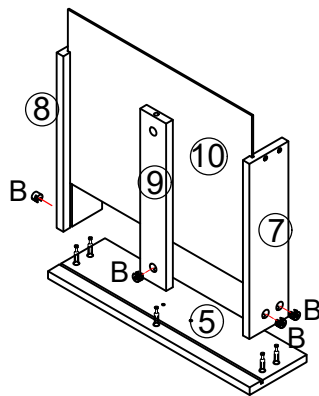


F*8



P*4

5



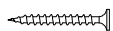
put B on board ⑦ ⑧



B*6



D*4



E*4



J*1



K*1

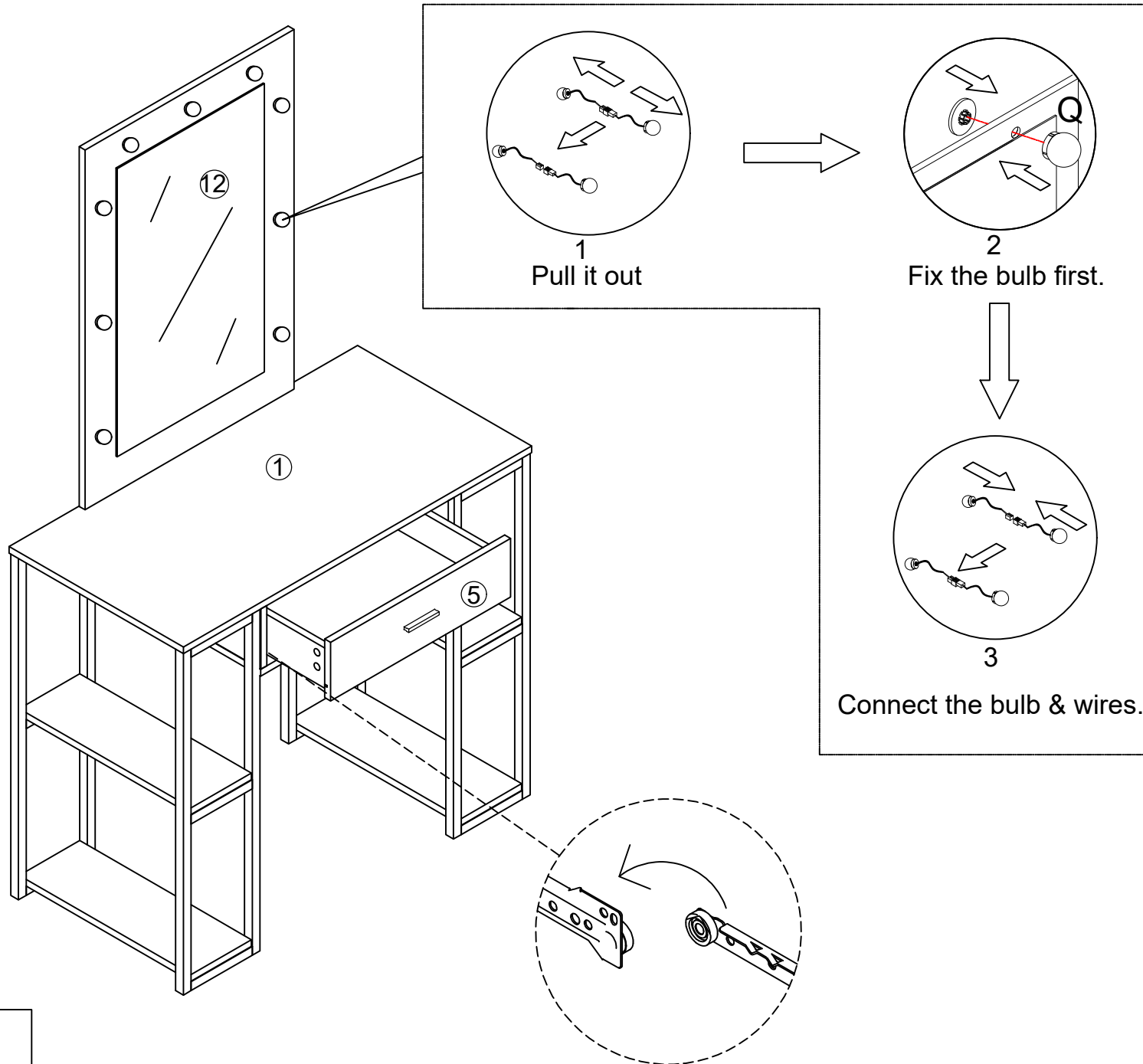


L*1



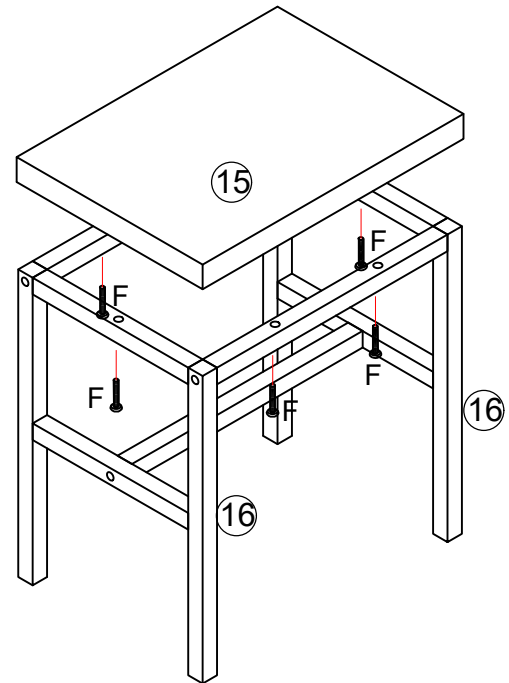
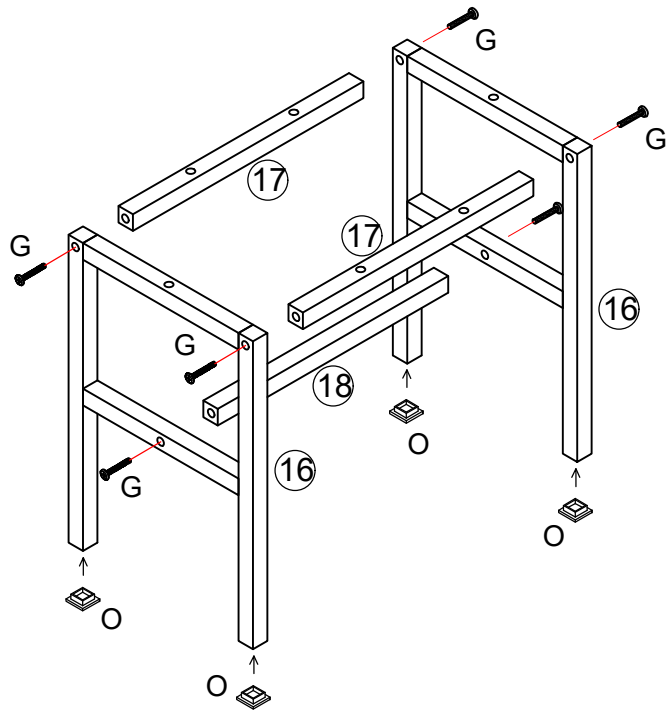
M*2

6



Q*1

7



F*6



G*6



O*4

