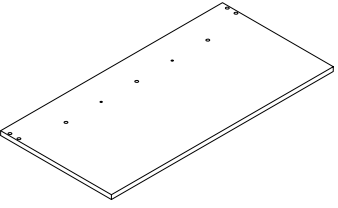
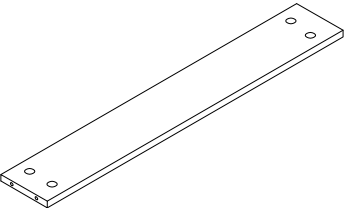
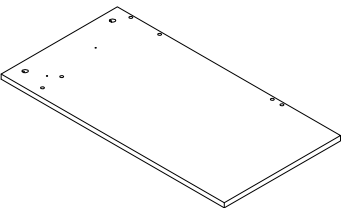
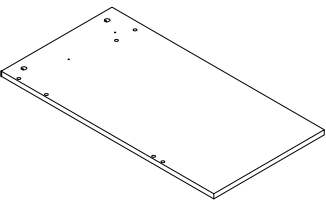
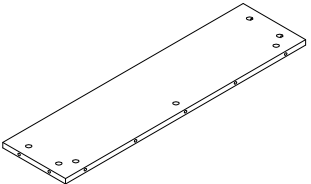
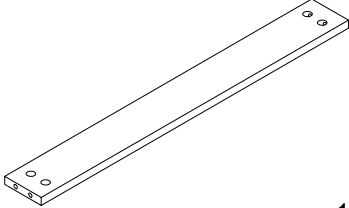
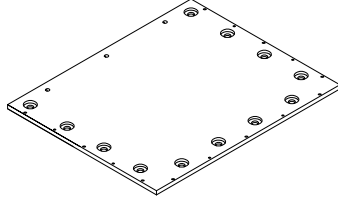
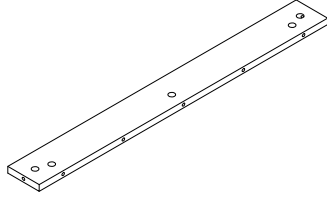
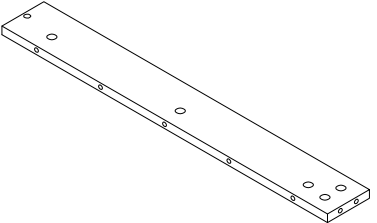
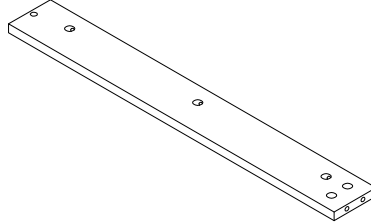
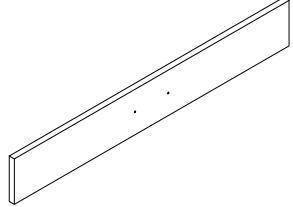
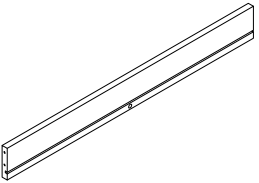
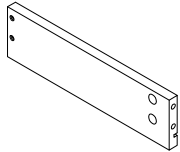
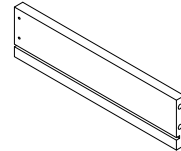
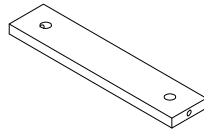
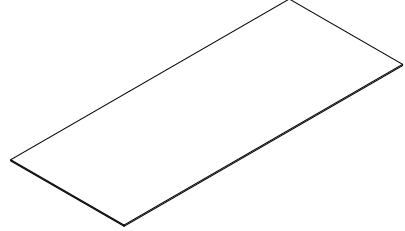
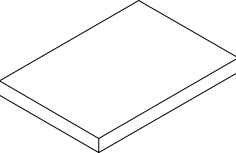
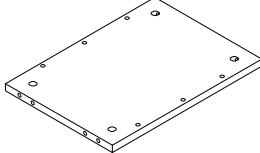
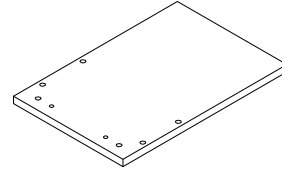
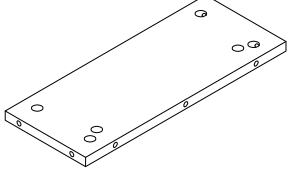


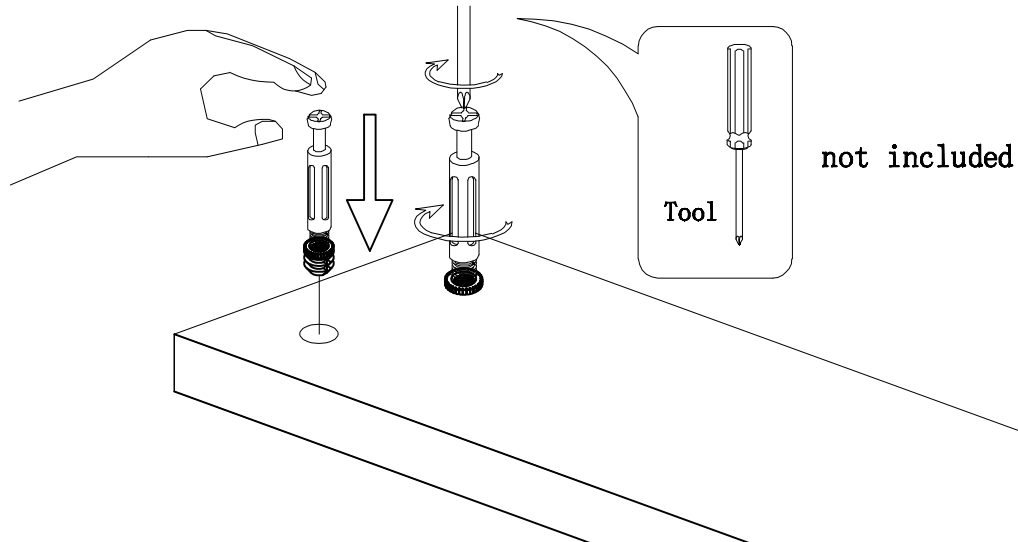
1	800*400	2	768*120	3	735*383	4	735*383
	1PCS		1PCS		1PCS		1PCS
5	768*200	6	768*100	7	800*650	8	768*84
	1PCS		1PCS		1PCS		1PCS
9	650*84	10	650*84	11	796*114	12	713*80
	1PCS		1PCS		1PCS		1PCS
13	300*80	14	300*80	15	284*60	16	723*294
	1PCS		1PCS		1PCS		1PCS
17	362*258	18	364*260	19	390*260	20	364*146
	1PCS		1PCS		2PCS		2PCS



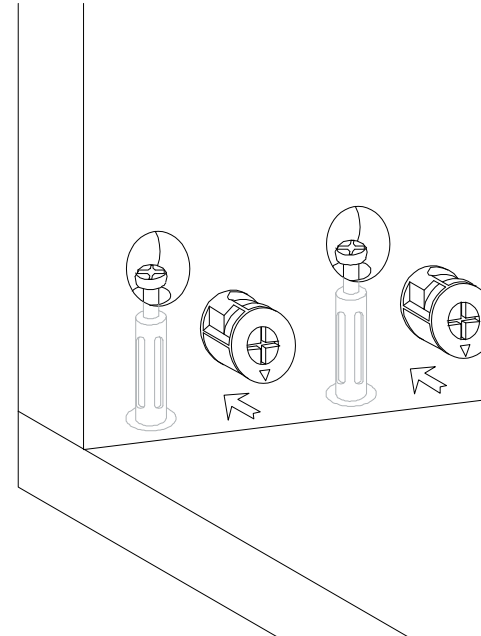
## Hardware installation demonstration

NOTE: Please make sure "A" hardware tightened and can't be pulled out!

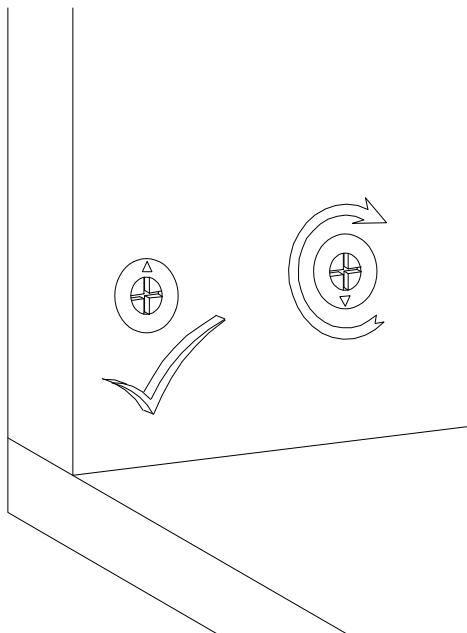
I



II



III

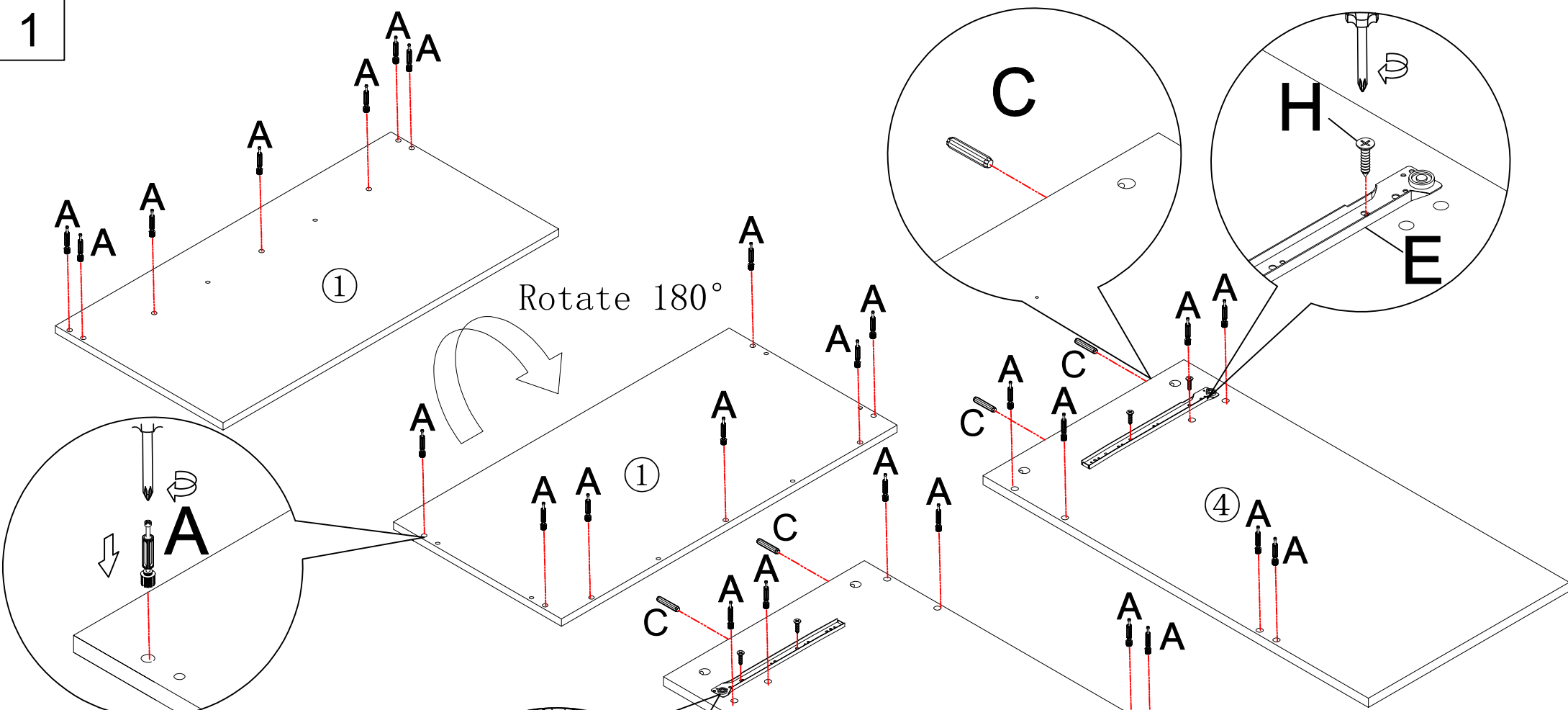




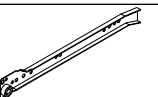
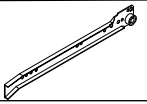
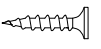
IV

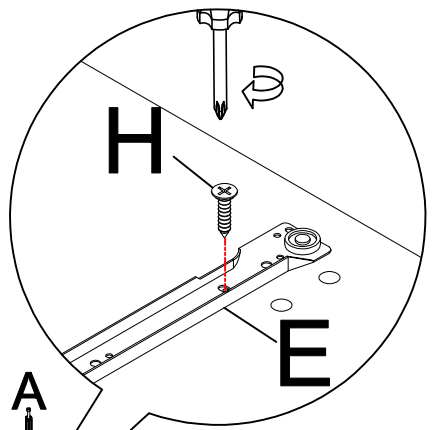
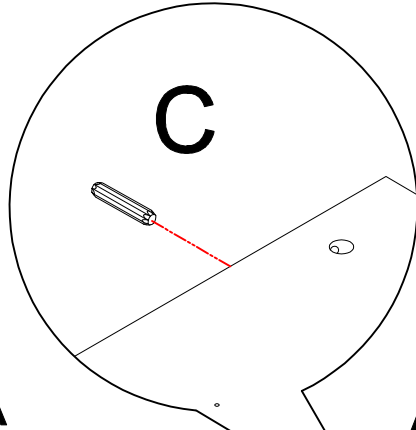
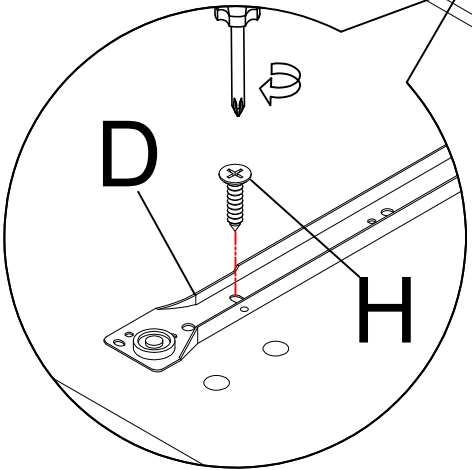


Scan QR code for assembly video

1

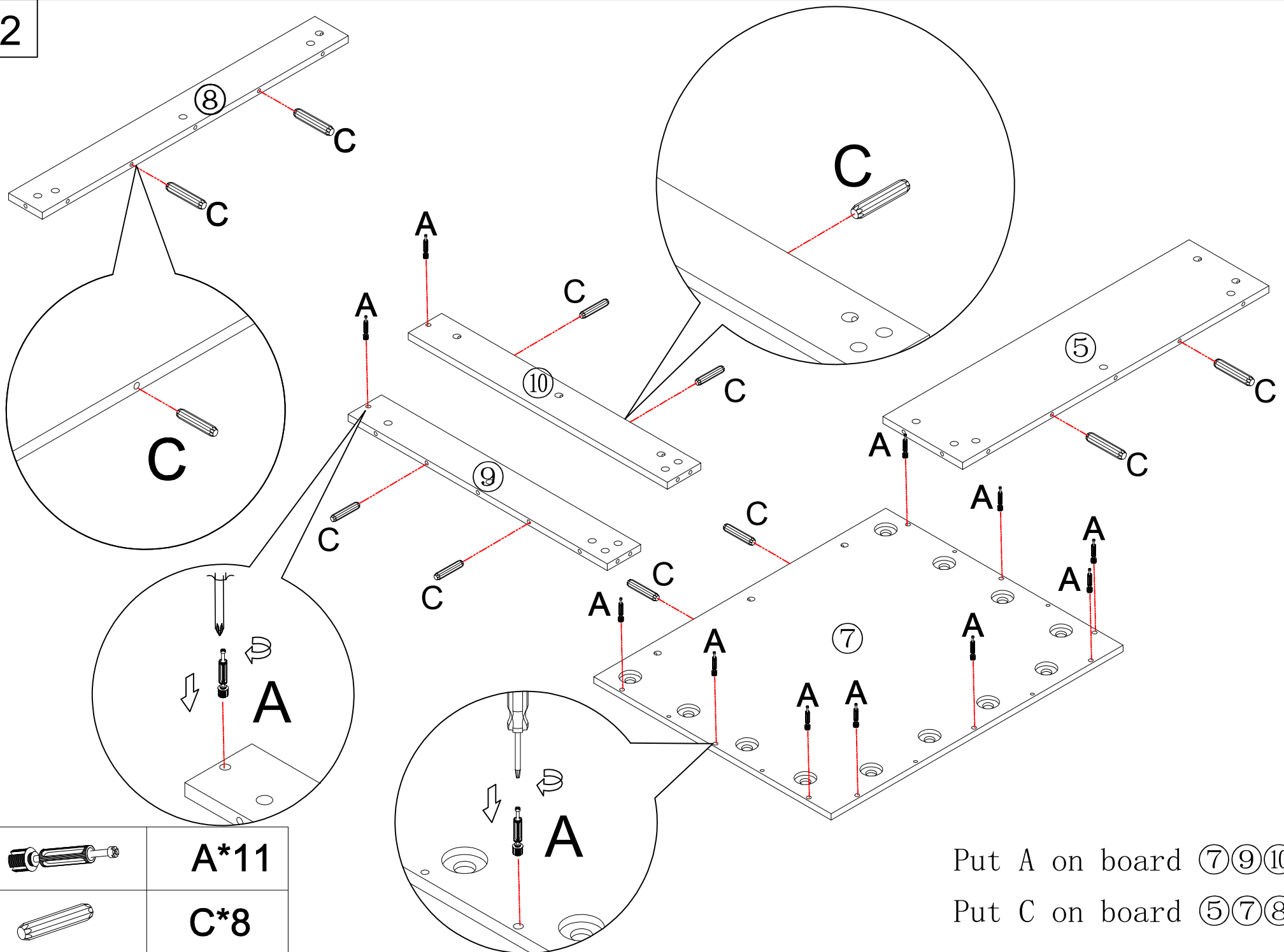


	A*26
	C*4
	D*1
	E*1
	H*4



Put A on board ①③④  
 Put C on board ③④

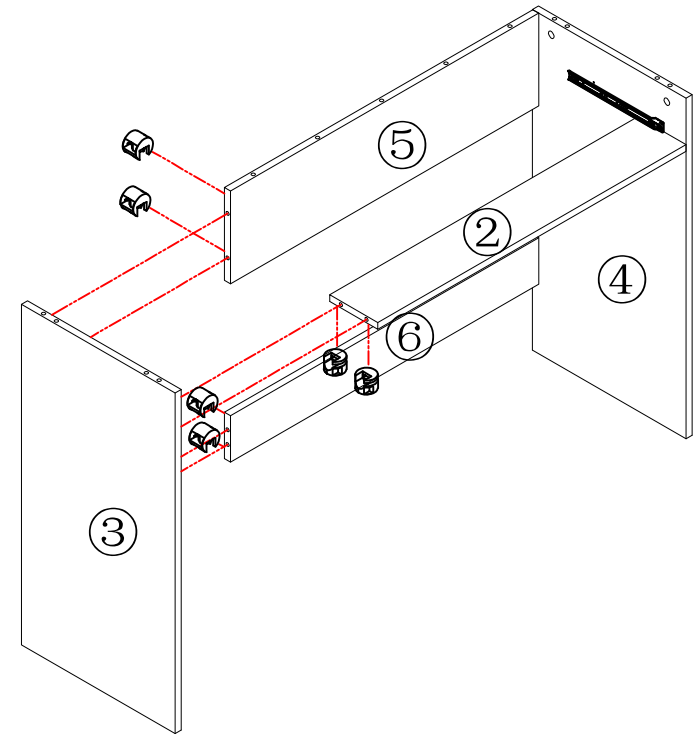
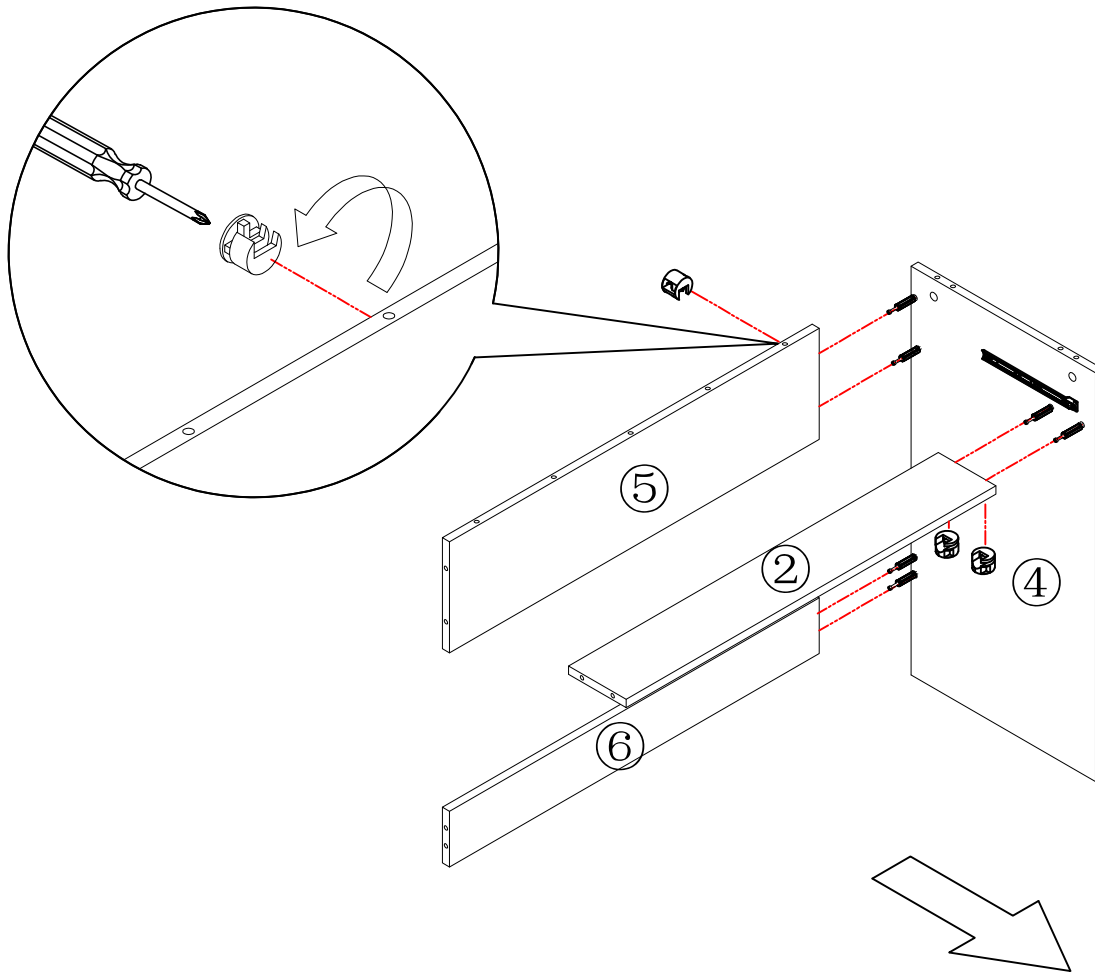
2



Put A on board ⑦⑨⑩

Put C on board ⑤⑦⑧⑨⑩

3

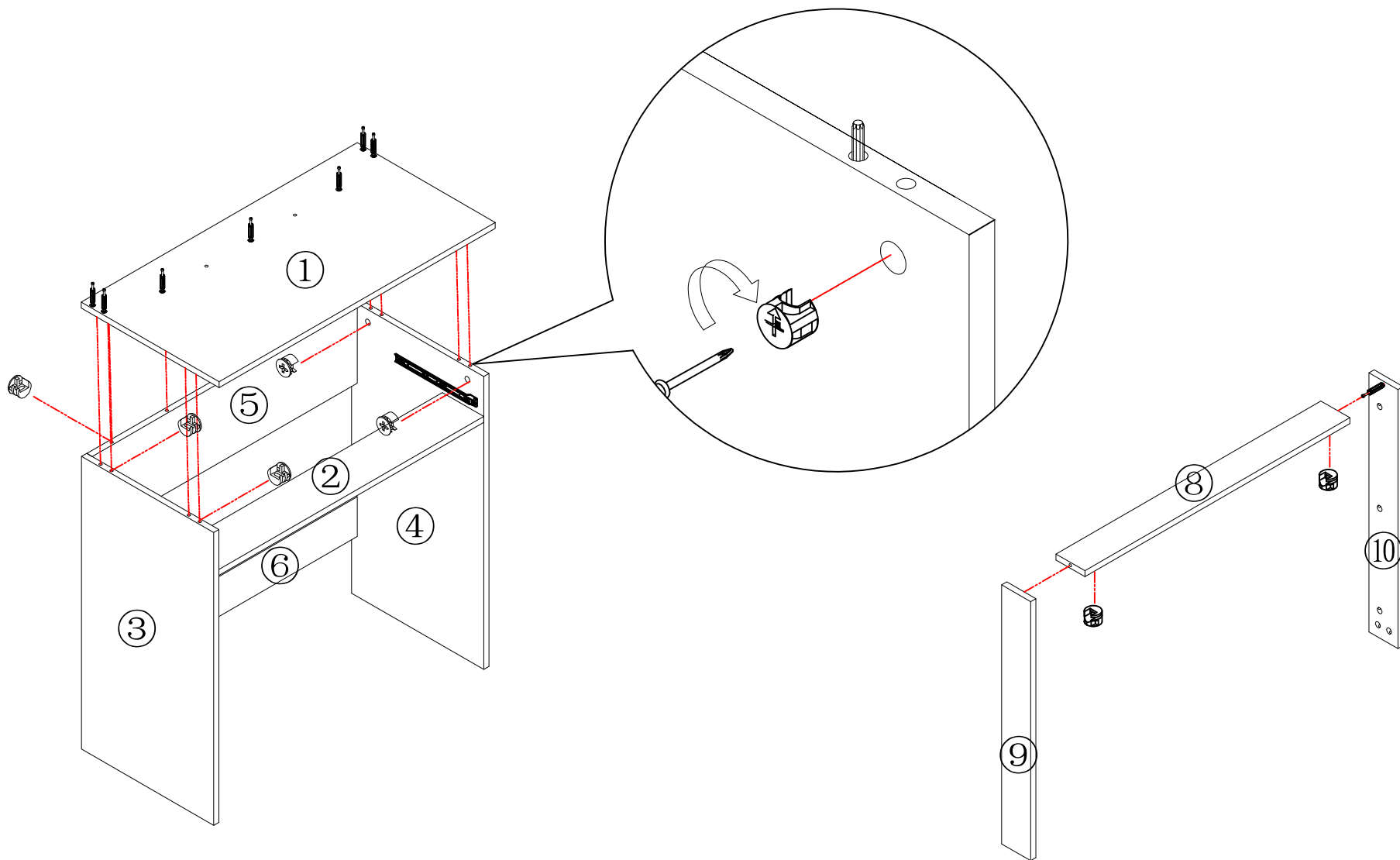


**B\*12**

Put B on board ②⑤⑥

4

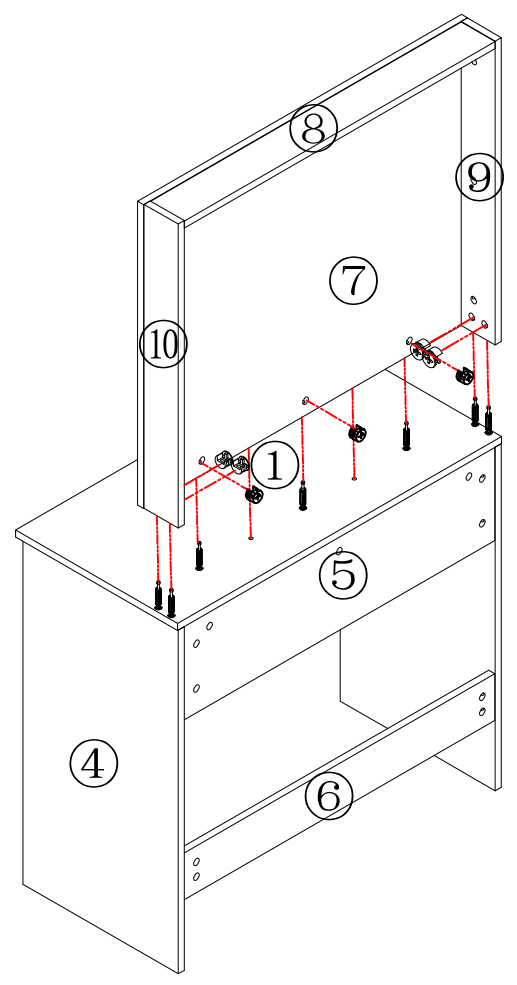
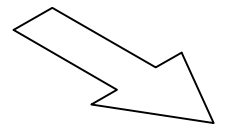
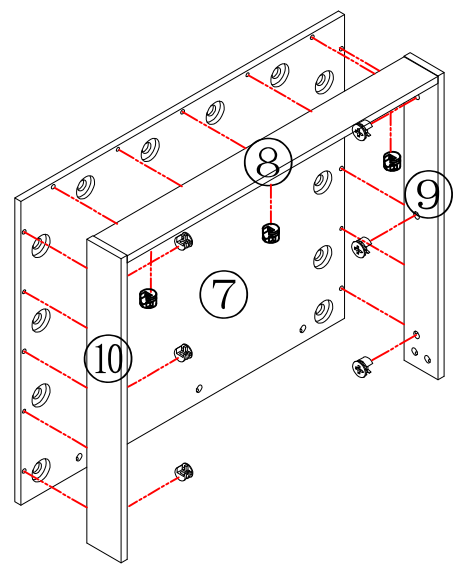
Make sure the arrow on the screw align to the hole on the side



**B\*9**

Put B on board ③④⑤⑧

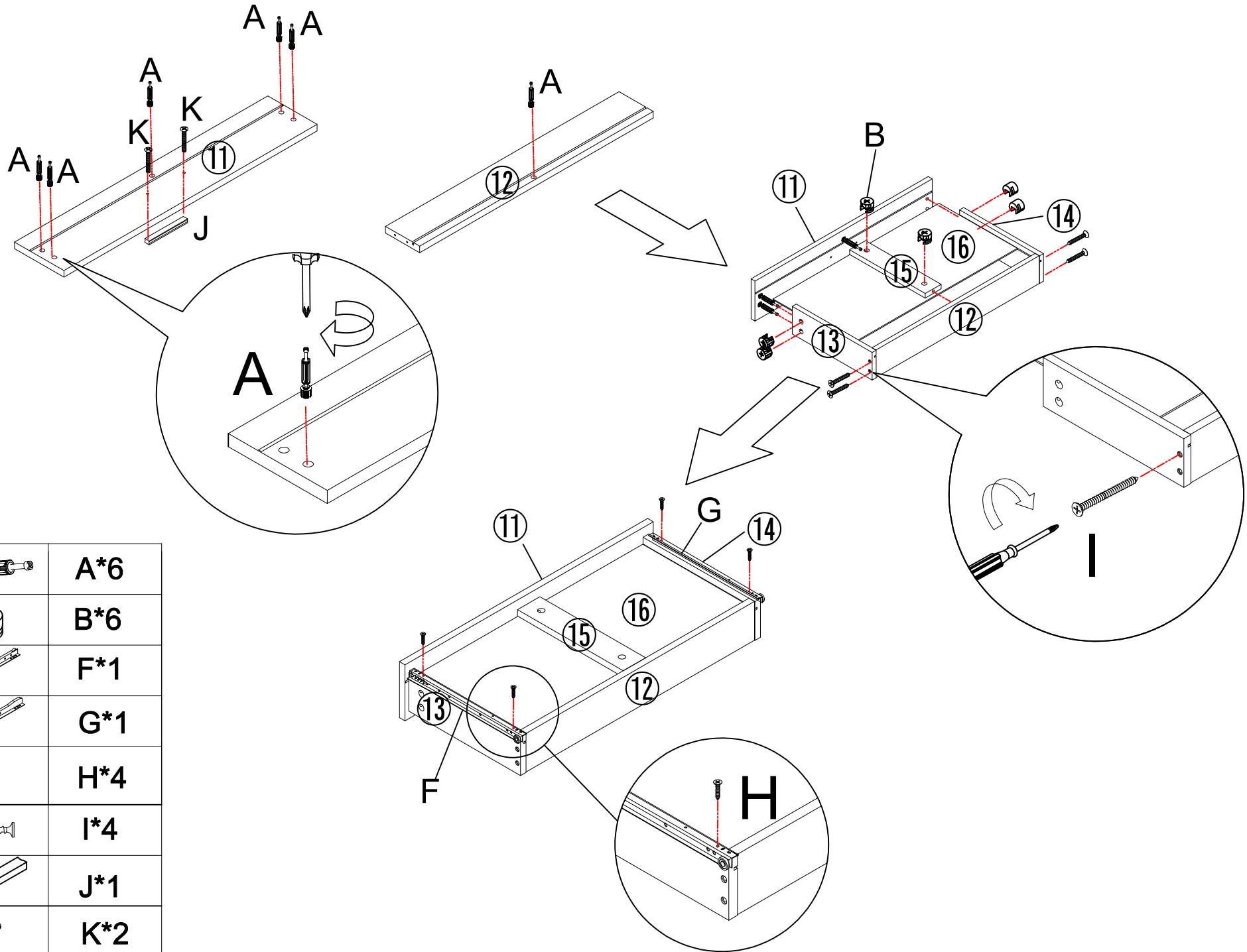


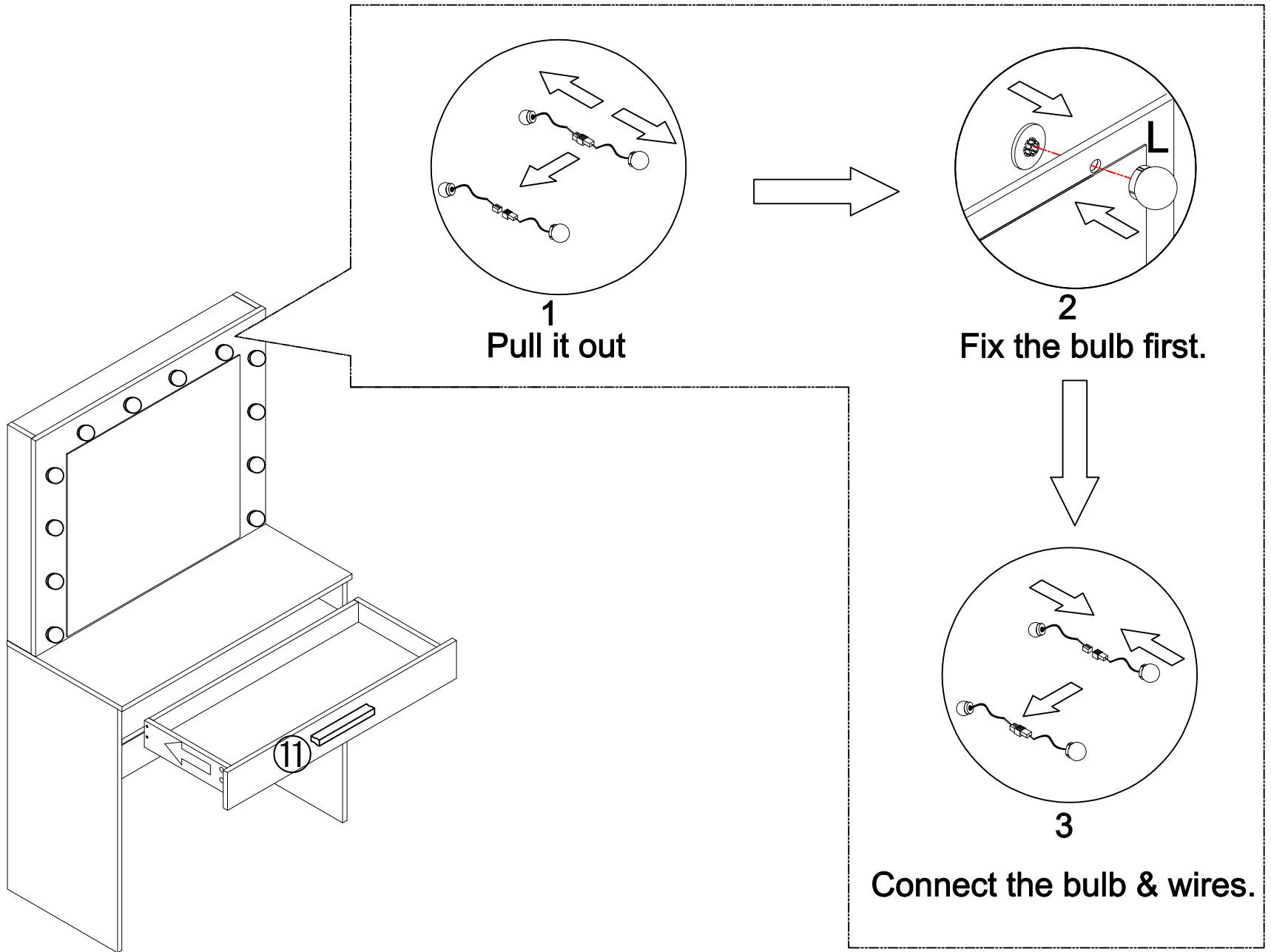


**B\*16**

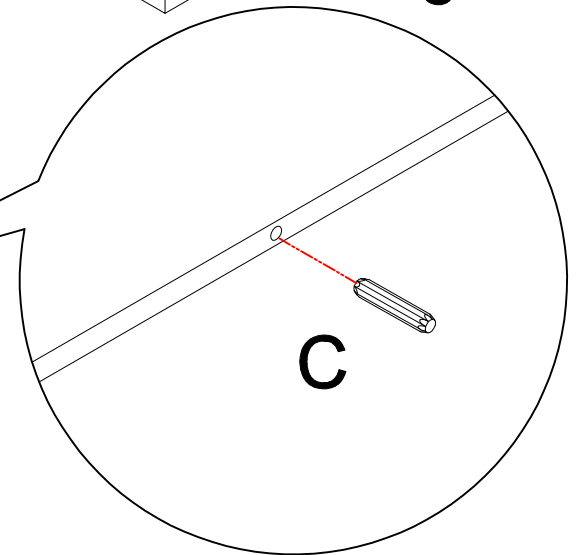
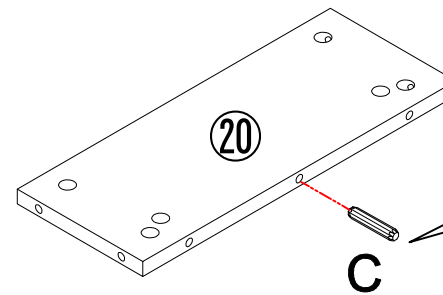
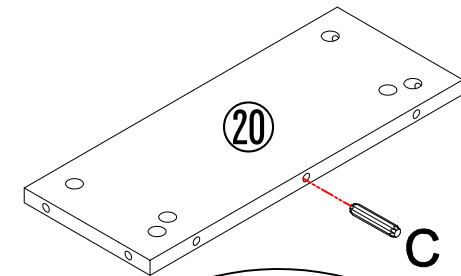
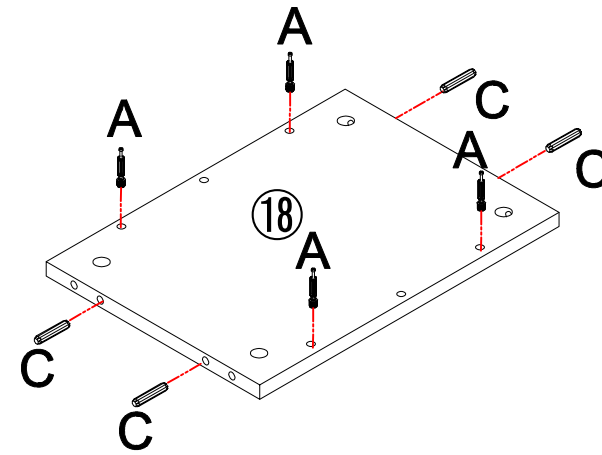
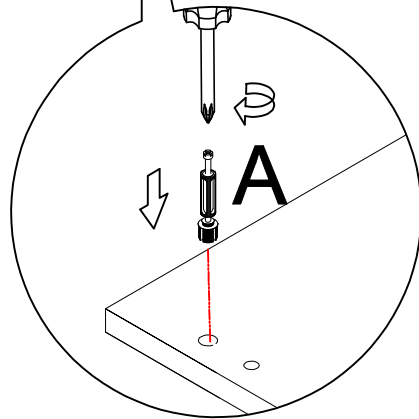
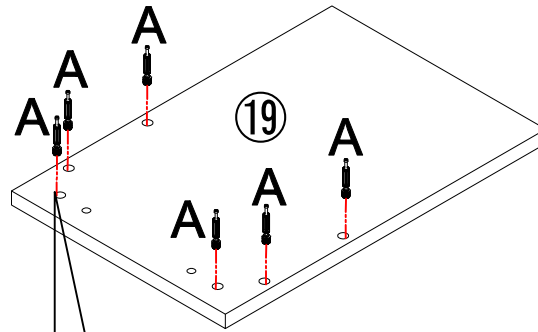
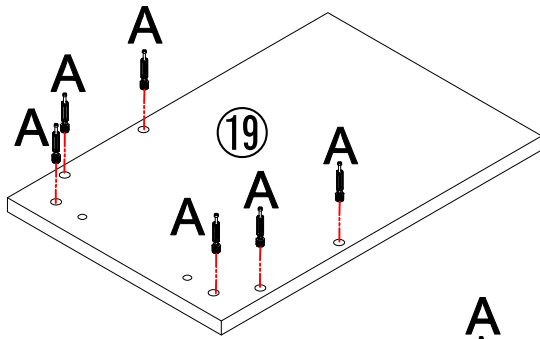
Put B on board ⑦⑧⑨⑩

6





L\*1



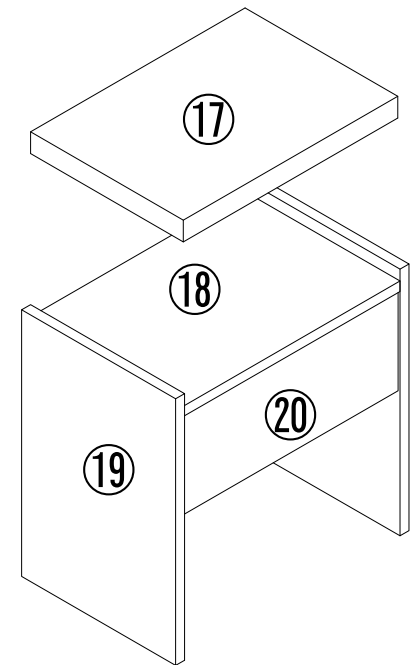
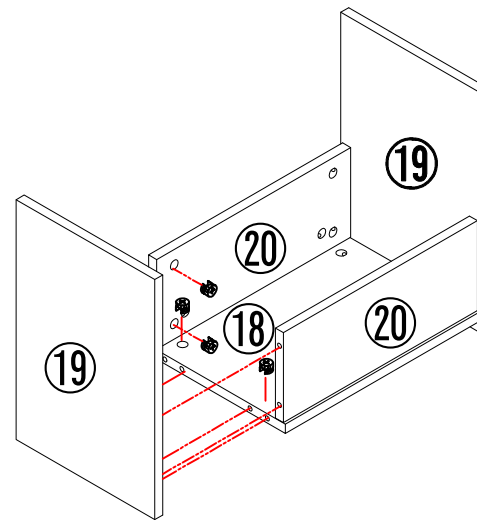
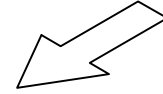
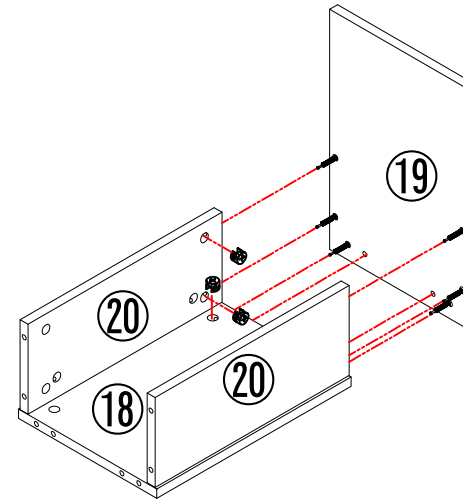
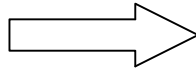
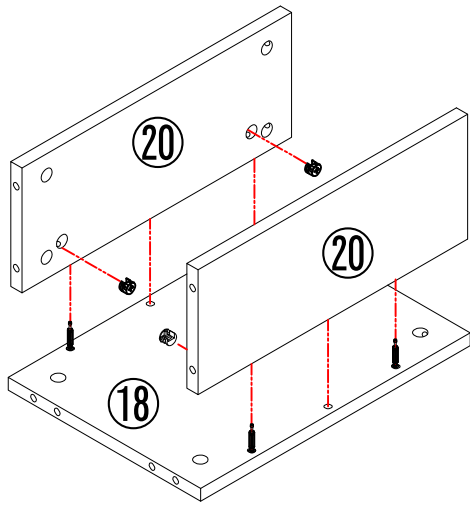
A\*16



C\*6

Put A on board ⑱⑲

Put C on board ⑱⑳



**B\*16**

Put B on board 18 20

