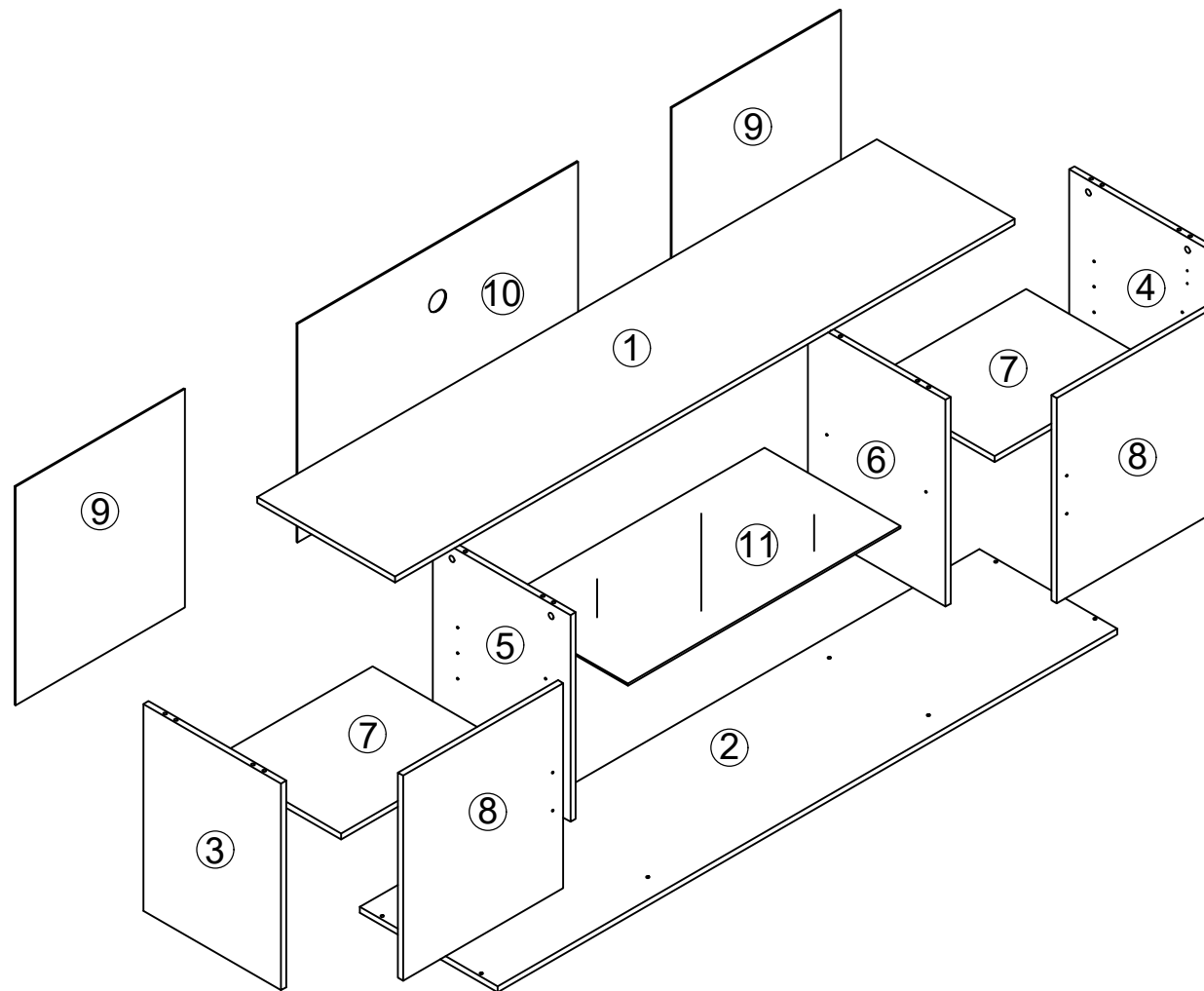
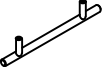

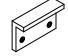



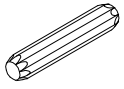



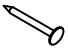
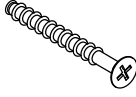
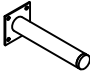
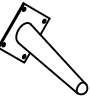
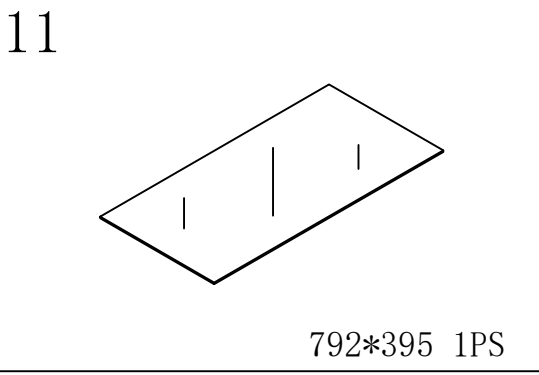
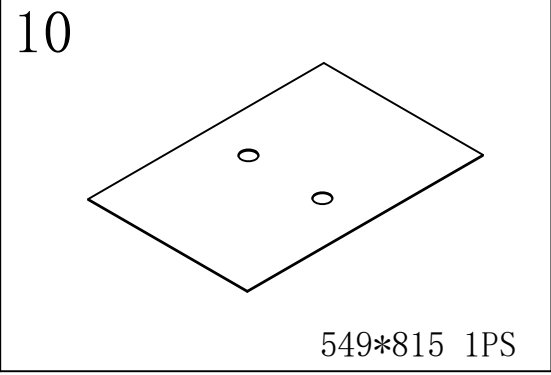
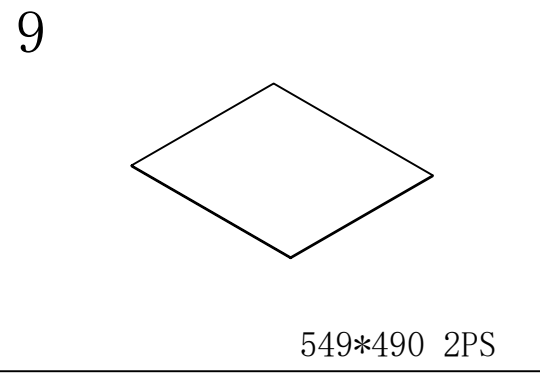
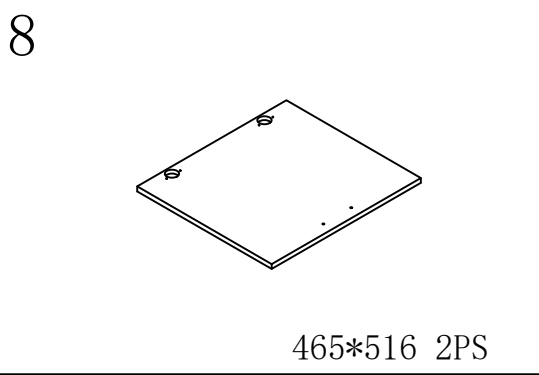
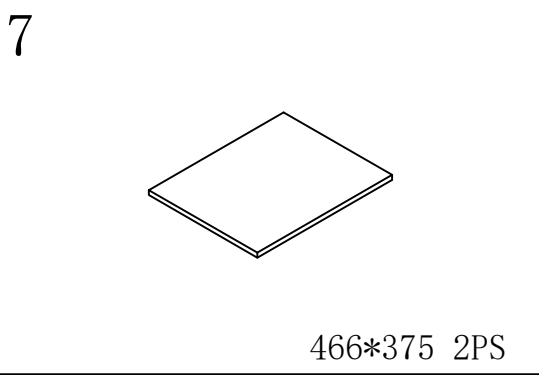
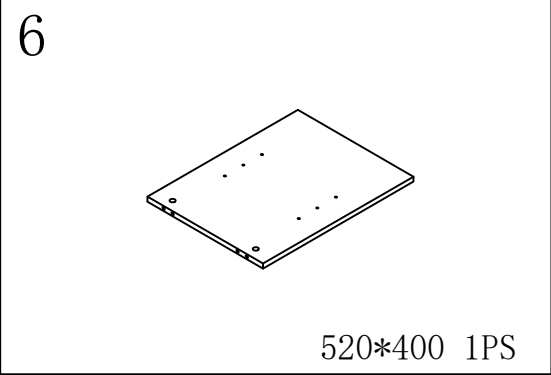
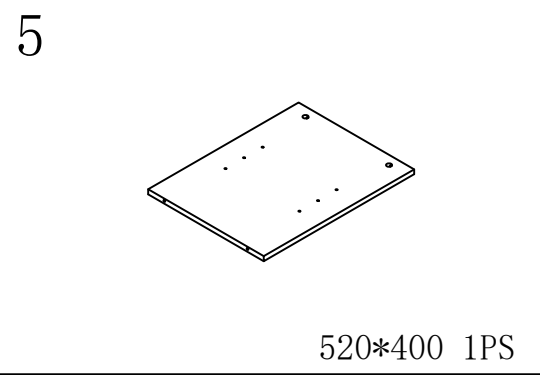
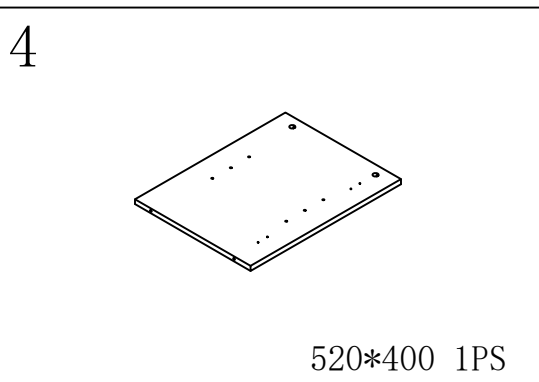
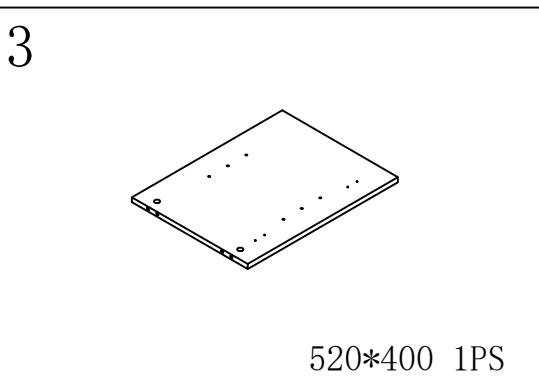
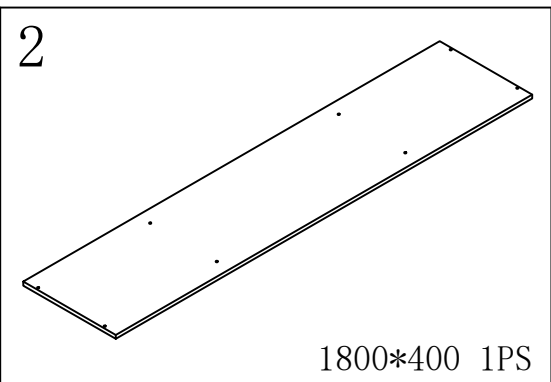
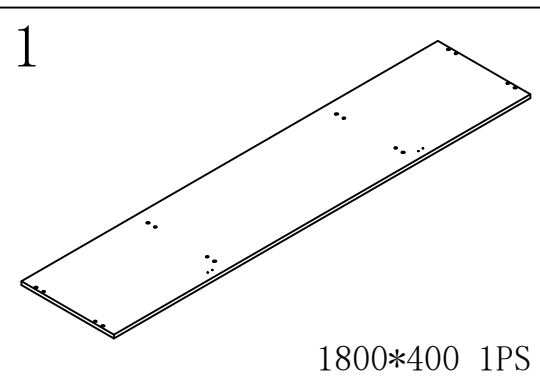


JHY2208089



<p>K 96mm</p>  <p>2PCS</p>	<p>L 4*22</p>  <p>4PCS</p>	<p>M</p>  <p>2PCS</p>	<p>N</p>  <p>4PCS</p>						
<p>A</p>  <p>8PCS</p>	<p>B</p>  <p>8PCS</p>	<p>C 8*40</p>  <p>8PCS</p>	<p>D 3.5*14</p>  <p>52PCS</p>	<p>E</p>  <p>8PCS</p>	<p>F</p>  <p>4PCS</p>	<p>G</p>  <p>38PCS</p>	<p>H 7*50</p>  <p>8PCS</p>	<p>I 150mm</p>  <p>2PCS</p>	<p>J 150mm</p>  <p>4PCS</p>

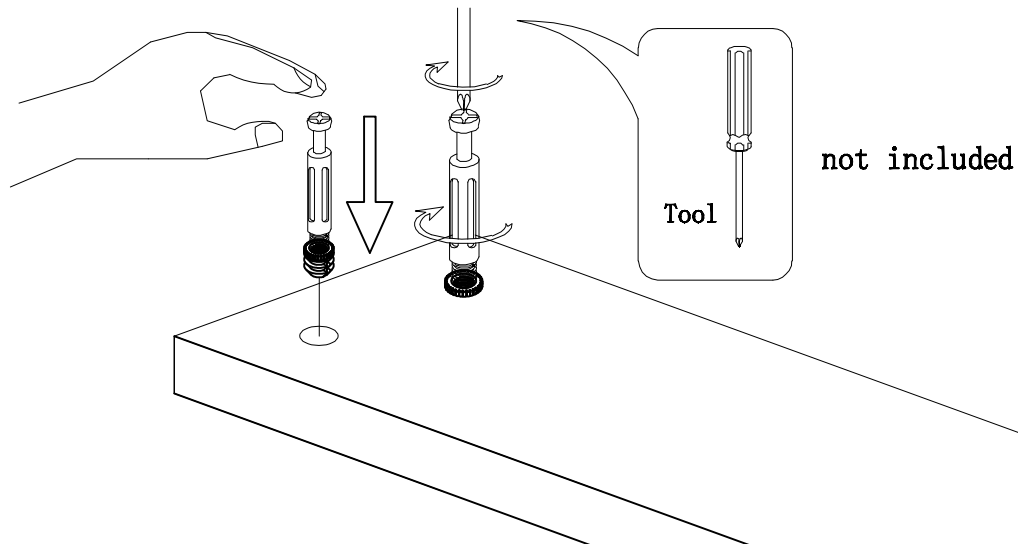




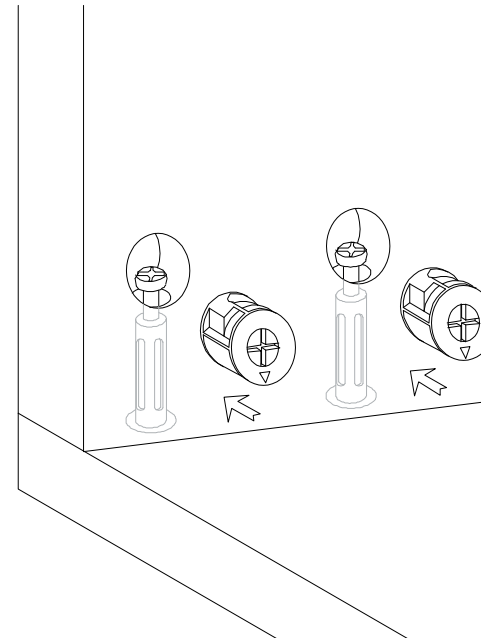
Hardware installation demonstration

NOTE: Please make sure "A" hardware tightened and can't be pulled out!

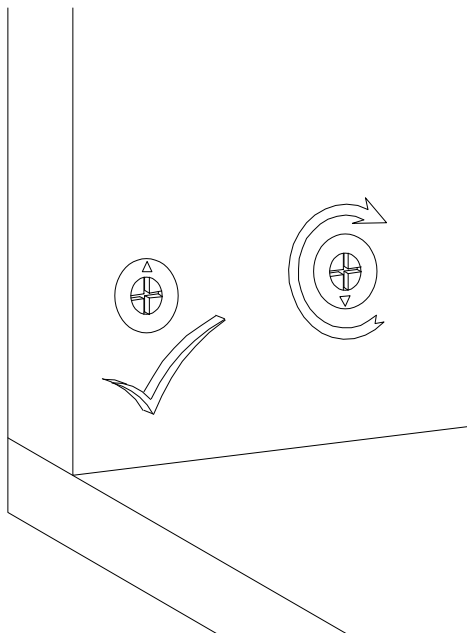
I



II



III

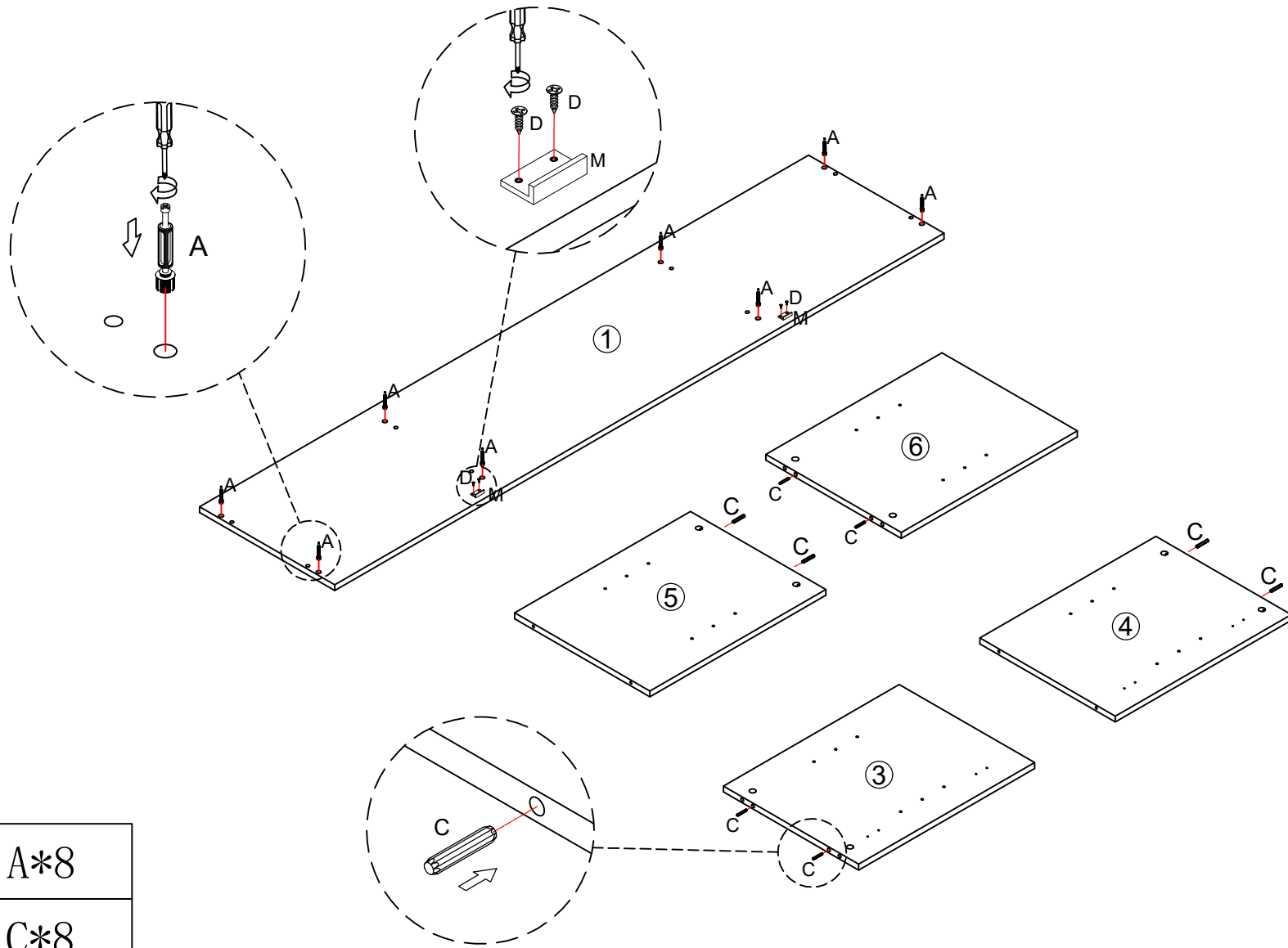



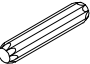


IV



Scan QR code for assembly video

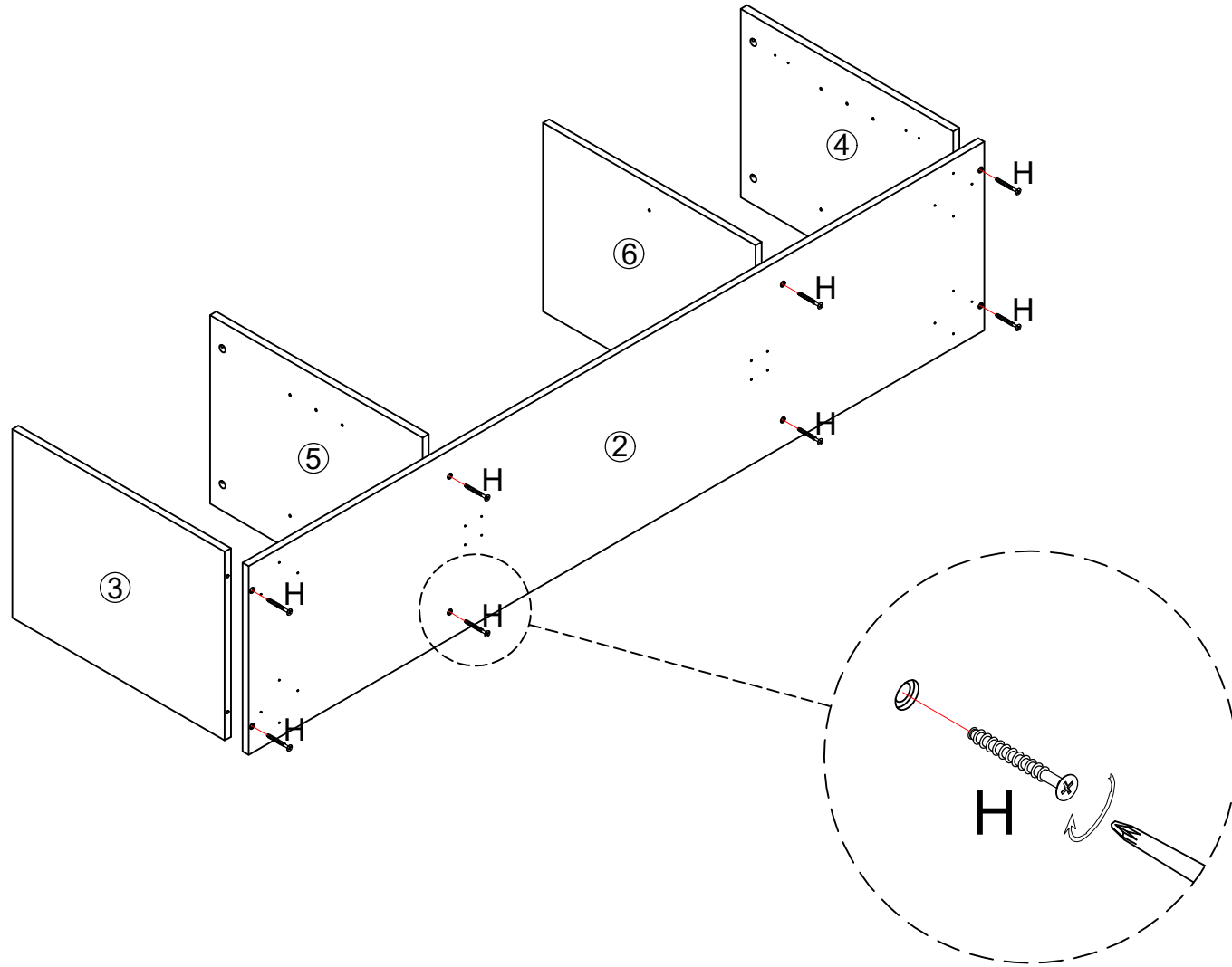
1



	A*8
	C*8
	D*4
	M*2

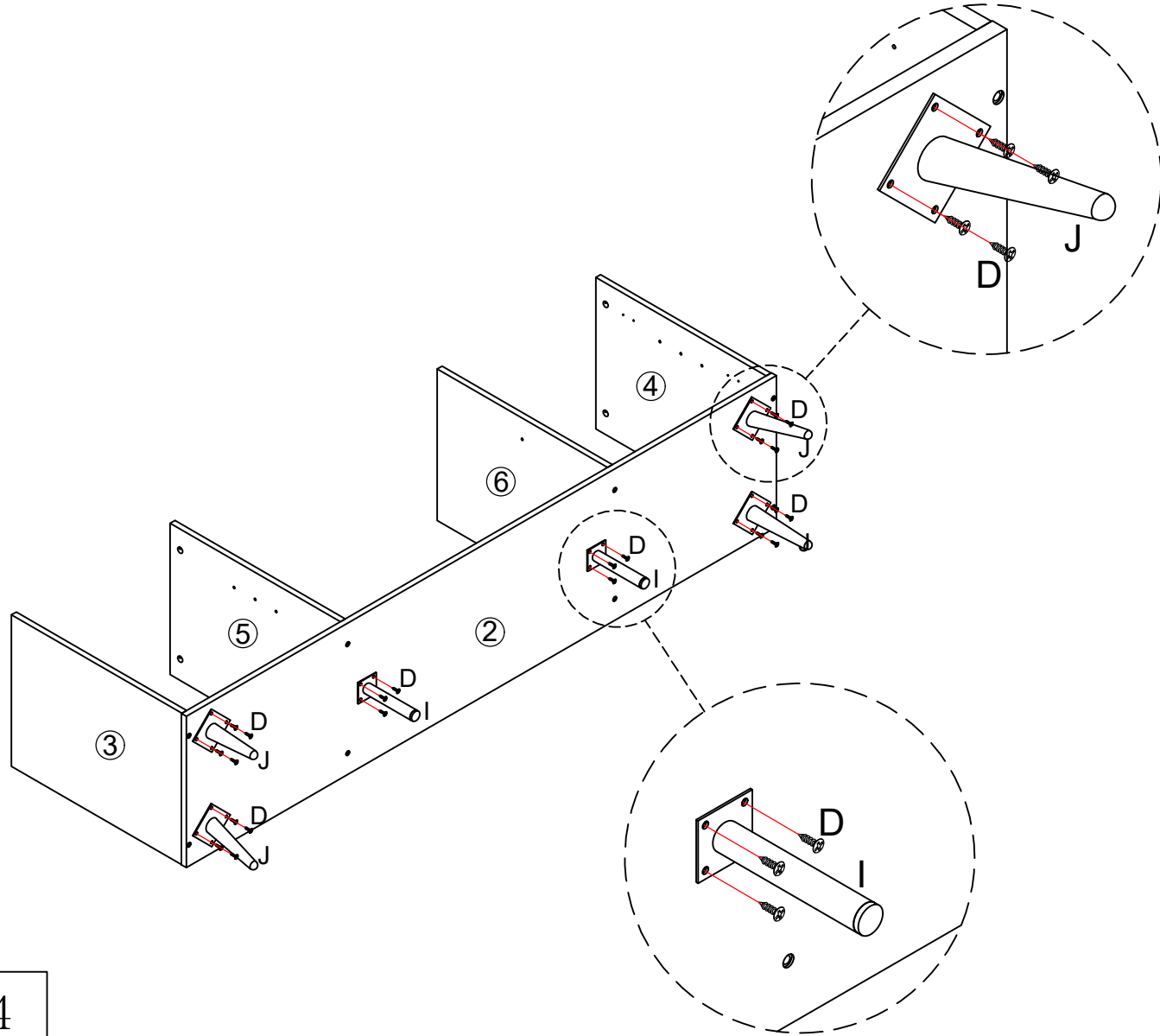
put A on board ①
put C on board ③④⑤⑥


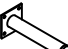

2



H*8

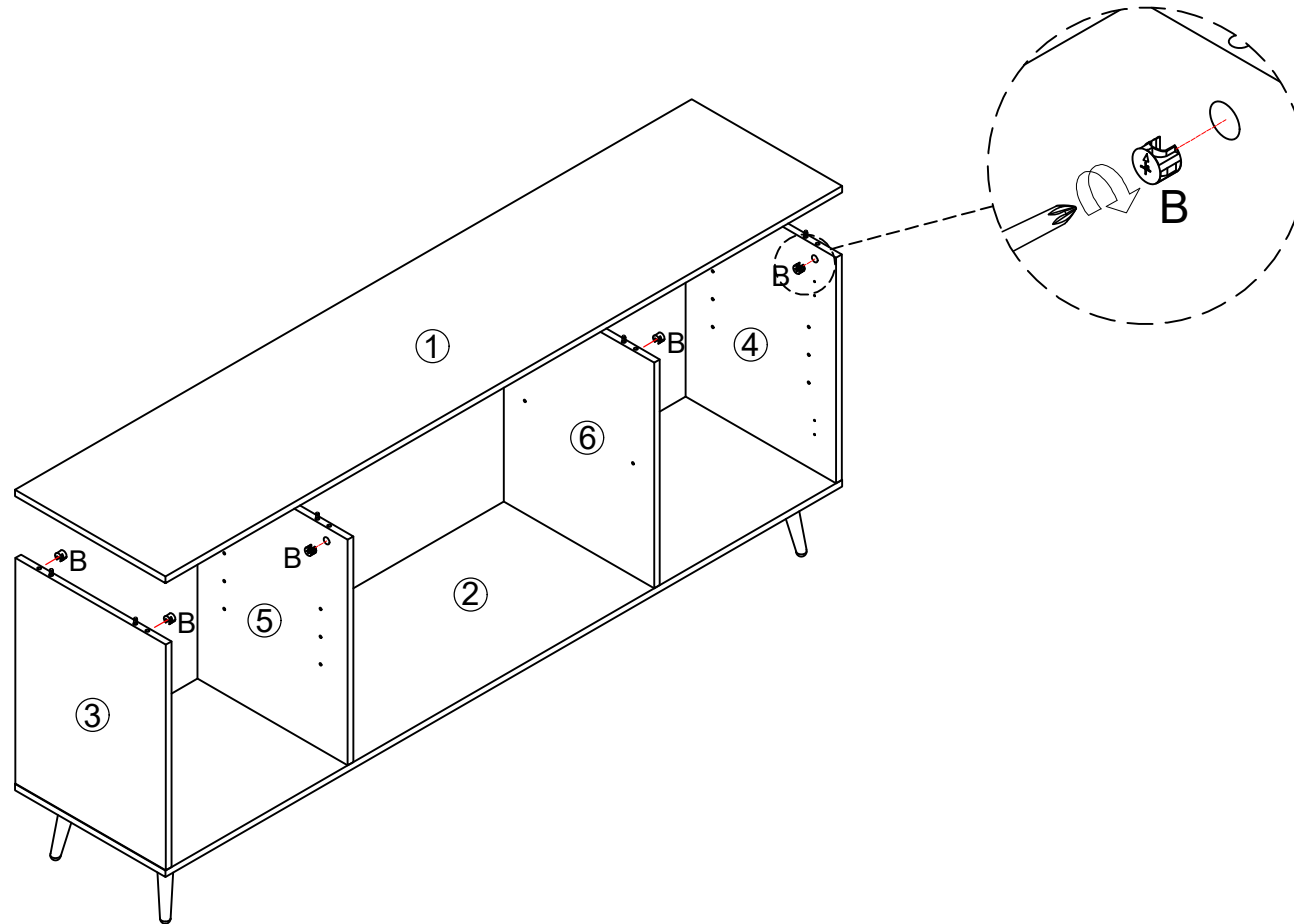
3



	D*24
	I*2
	J*4

4

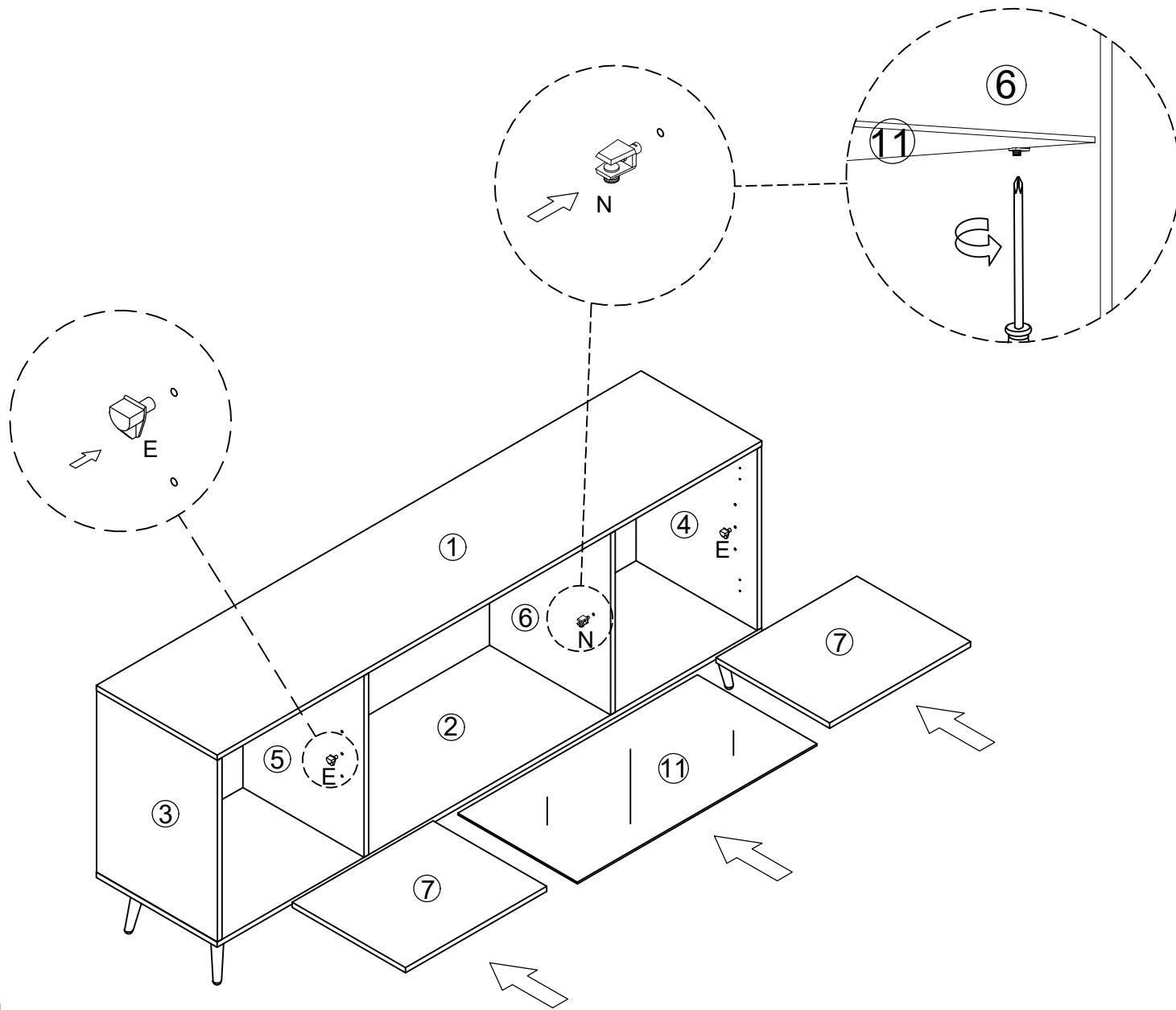
Make sure the arrow on the screw align to the hole on the side.



B*8

put B on board ③④⑤⑥

5

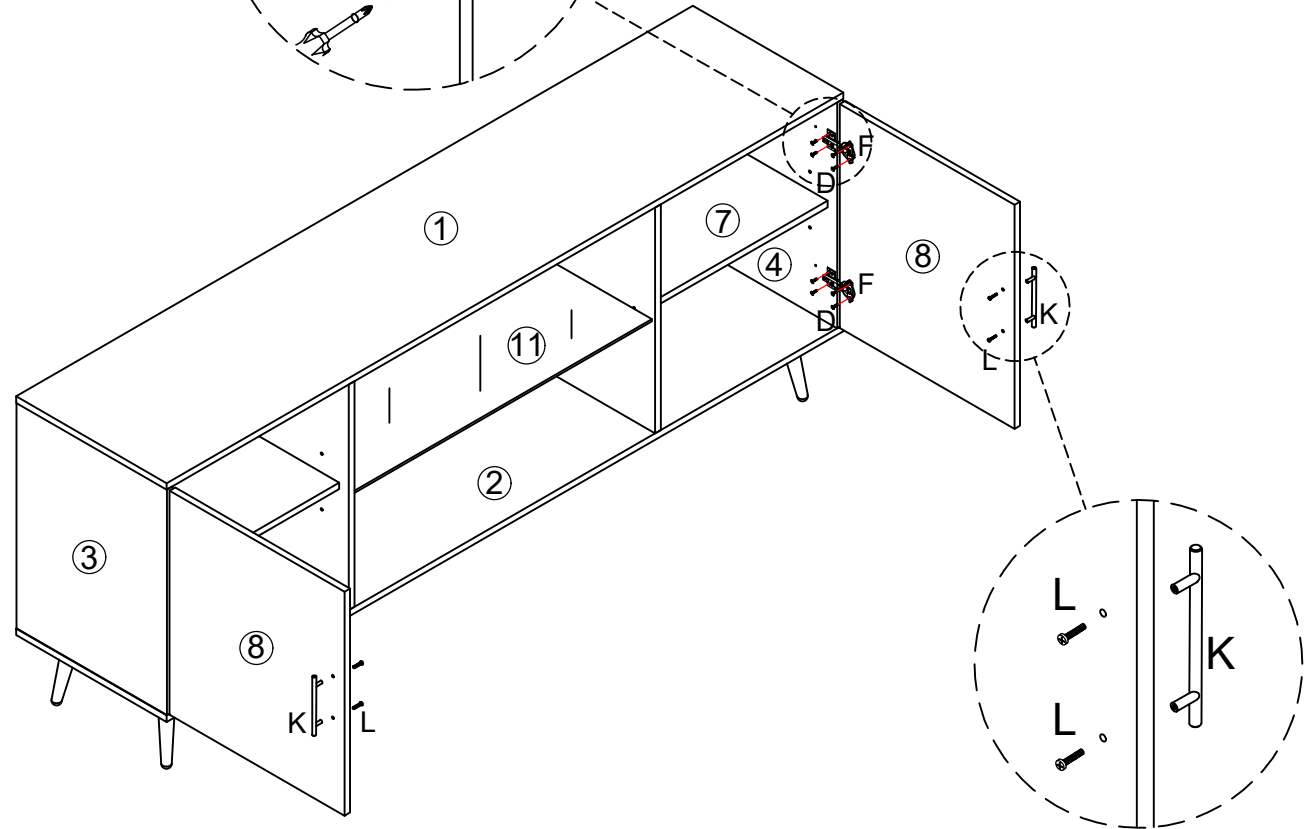
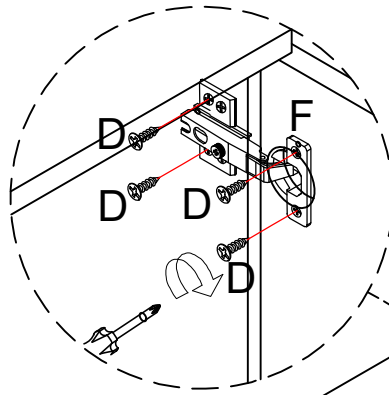


E*8



N*4

6



D*24



F*4

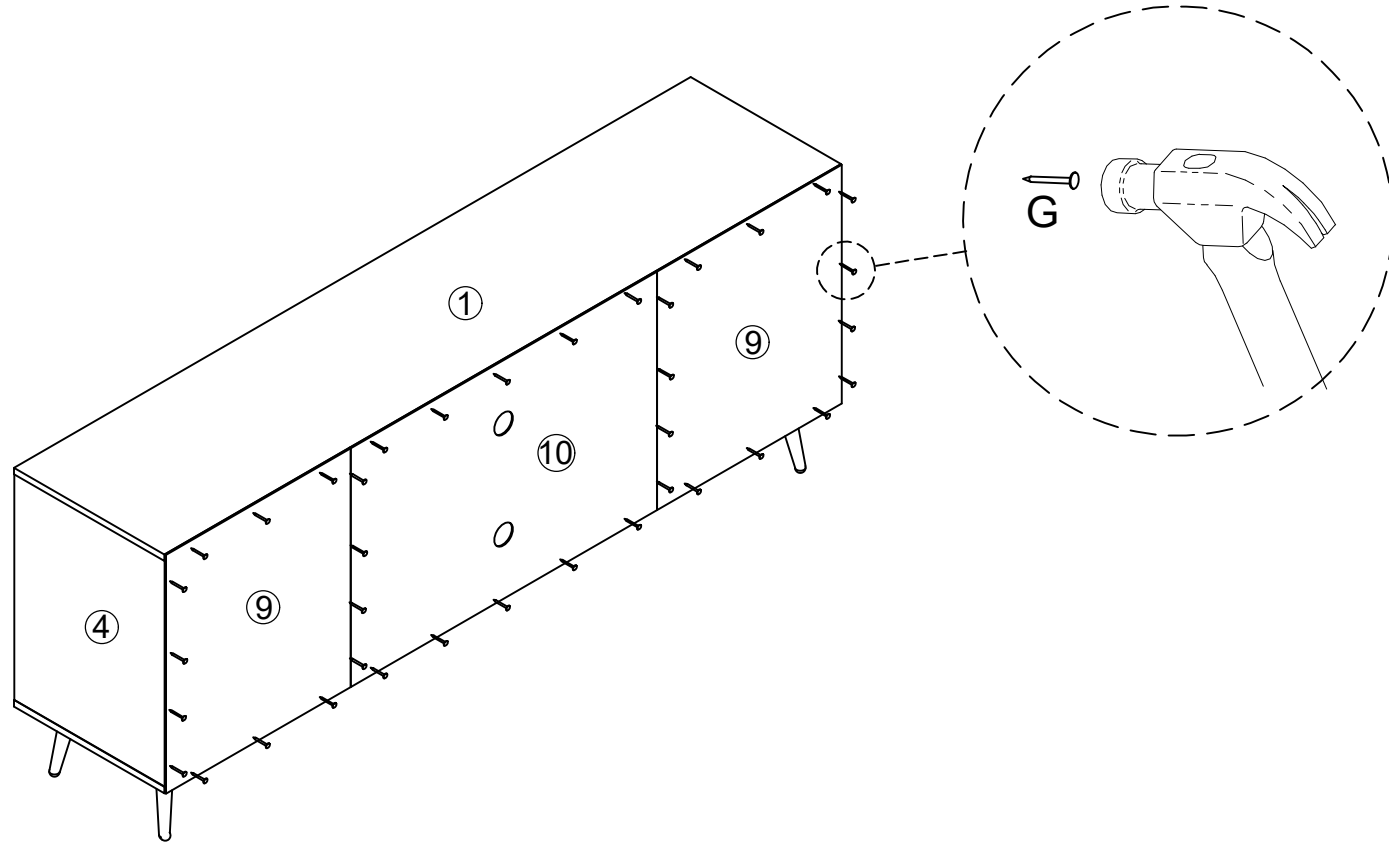


K*2



L*4

7



G*38

