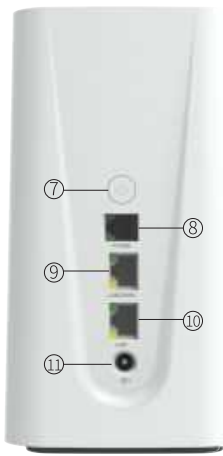


ॐ AIoT

 **CPE**

◆ Description of 5G CPE Ports and Indicators

1. 5G CPE Interfaces(F-NR300/F-NR300 V2)



2. Indicator Description

Indicator	Name	Description
① 📶	Cellular Network Indicator	1) Blue, signal value RSRP ≥ -95dBm 2) Yellow, signal value RSRP < -95dBm
② 5G	5G Indicator	1) On, Connect to 5G network 2) Off, Disconnect with 5G network 3) Blink, dialing, blink frequency 500ms/time
③ 4G	4G Indicator	1) On, Connect to 4G network 2) Off, Disconnect with 4G network 3) Blink, dialing, blink frequency 500ms/time
④ 📶	WiFi Indicator	1) On, WiFi on 2) Blink: After press the WPS button, continue 2 minutes 3) Off, WiFi off
⑤ 🔌	Power Indicator	1) On, Power on 2) Off, Power off

3. Interfaces Description

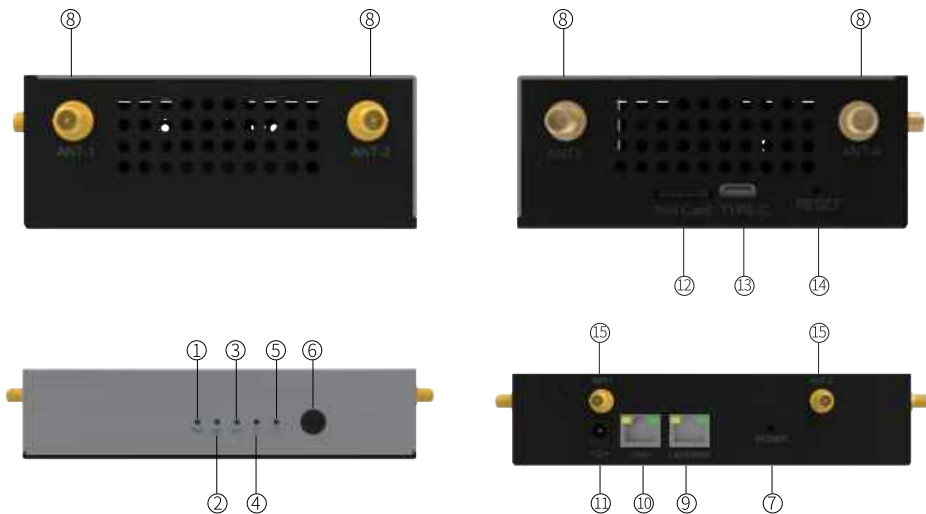
Interfaces	Name	Description
⑧ PHONE (Optional)	Phone Port	Phone RJ11 port, can directly connect the phone to make calls
⑨ LAN2/WAN	Ethernet Port	1) Indicator is green and steady on, it is connected 2) Indicator is yellow and blinking, data is transmit or receive
⑩ LAN1	Ethernet Port	1) Indicator is green and steady on, it is connected 2) Indicator is yellow and blinking, data is transmit or receive
⑪ -G+	Power	DC 12V/3A
⑫ SIM Card	Nano-SIM Card Slot	Insert the Nano-SIM card
⑬ Type C	Type-C Port	The type-c interface is used only R&D personnel testing

4. Button Description




Button	Description
⑥ WPS	1) After the button is pressed, the WiFi indicator light will blink 500ms/time for 2 minutes. 2) The user terminal can quickly establish a secure WiFi connection without manually entering a password
⑦ 🔌	1) After the button is pressed, the WiFi indicator light will blink 500ms/time for 2 minutes. 2) After Devices Shutdown: Plug and unplug the power supply, it will automatically turn on. 3) After Shutdown: Long press the power button for 3s, turn on the device.
⑬ • RESET	Press and hold the button for more than 10 seconds to reset to the factory setting.

◆ Description of 5G CPE Ports and Indicators

1. 5G CPE Interfaces(FNB310)






2. Indicator Description

Indicator	Name	Description
	Cellular Network Indicator	1) Blue, signal value RSRP ≥ -95dBm 2) Yellow, signal value RSRP < -95dBm 3) No light, means no signal or no insert the SIM card
5G	5G Indicator	1) On, Connect to 5G network 2) Off, Disconnect with 5G network 3) Blink, dialing, blink frequency 500ms/time
4G	4G Indicator	1) On, Connect to 4G network 2) Off, Disconnect with 4G network 3) Blink, dialing, blink frequency 500ms/time
	WiFi Indicator	1) On, WiFi on 2) Blink: After press the WPS button, 500ms/time, continue 2 minutes 3) Off, WiFi off
	Power Indicator	1) On, Power on 2) Off, Power off

3. Interfaces Description

Interfaces	Name	Description
LAN2/WAN	Ethernet Port	1) Indicator is green and steady on, it is connected 2) Indicator is yellow and blinking, data is transmitt or receive
LAN1	Ethernet Port	1) Indicator is green and steady on, it is connected 2) Indicator is yellow and blinking, data is transmitt or receive
-G+	Power	DC 12V/3A
SIM Card	Nano-SIM Card Slot	Insert the Nano-SIM card
Type C	Type-C Port	The type-c interface is used only R&D personnel testing
5G/4G Antenna Interface	SMA Female	Install 5G/4G antenna
WiFi Antenna Interface	SMA Male	Install WiFi antenna

4. Button Description

Button	Description
	1) After the button is pressed, the WiFi indicator light will blink 500ms/time for 2 minutes. 2) The user terminal can quickly establish a secure WiFi connection without manually entering a password
	1) After the button is pressed, the WiFi indicator light will blink 500ms/time for 2 minutes. 2) After Devices Shutdown: Plug and unplug the power supply, it will automatically turn on. 3) After Shutdown: Long press the power button for 3s, turn on the device.
	Press and hold the button for more than 10 seconds to reset to the factory setting.

◆ Set up SIM Card or Wired Broadband Internet Access

Can choose SIM card or wired broadband connect to network

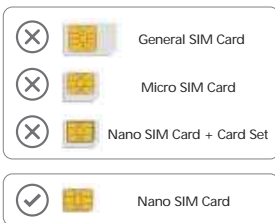
FNB310 requires the antenna to be installed first

SIM Card

F-NR300/F-NR300 V2:

Step 1:

Insert SIM card direction shown as below (Chip face down, notch face in).

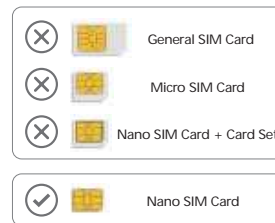
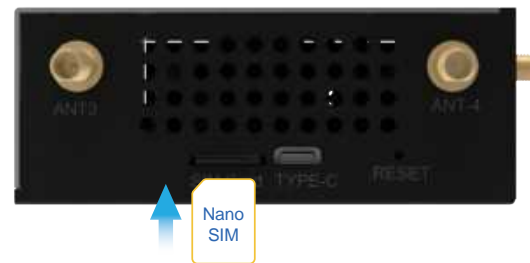


SIM Card

FNB310:

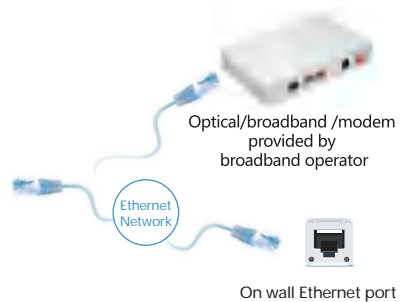
Step 1:

Insert SIM card direction shown as below (Chip face down, notch face in).



Wired Boardband Network

Step 1:
Network cables can only be connected to LAN2/WAN network ports.



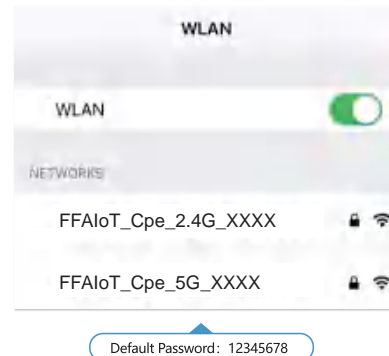
Step 2:
Connect the power supply, the device will turn on automatically.



Step 3: Connect to network devices

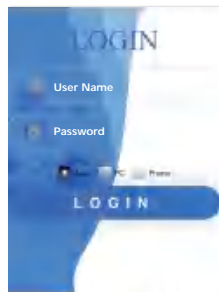
Mobile phones, tablets and other devices are connected to 5G CPE wireless networks.

The desktop computer is connected to the LAN port 5G CPE through a network cable.

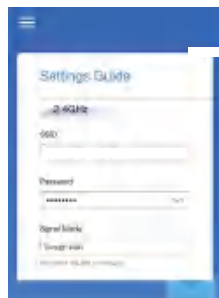


Step 4: Open the browser, and the page is automatically displayed. (If no, manually enter 192.168.1.1)

Default Account: admin
Default Password: admin



Step 5: Setting the user name and password for the WLAN



2.4GHz



5GHz

Step 6: Set the password for logging in to the host

After the application setting is complete, the login page will be displayed.
Enter the password of the new account and click login.

