

# CHAC

## PXB2 Series Miniature Circuit Breaker

PRODUCT CATALOG



### ZHEJIANG CHUANGQI ELECTRIC CO.,LTD.

- WenzhouBase  
No.18,ShahongRoad,BeibaixiangTown,YueqingCity,Wenzhou,ZhejiangProvince,China
- JiaxingBase  
No.61,ZhengyangWestRoad,XiuzhouDistrict,Jiaxing,ZhejiangProvince,China
- 0577-27878806
- marketing@chac-en.com
- www.chac-electric.com



LINKEDIN



WEBSITE

V2026.03-CHAC-MKT

# PXB2-63

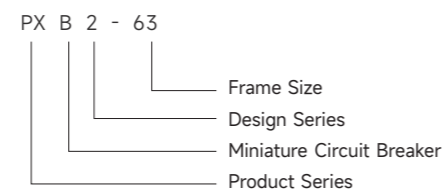
## Miniature Circuit Breaker



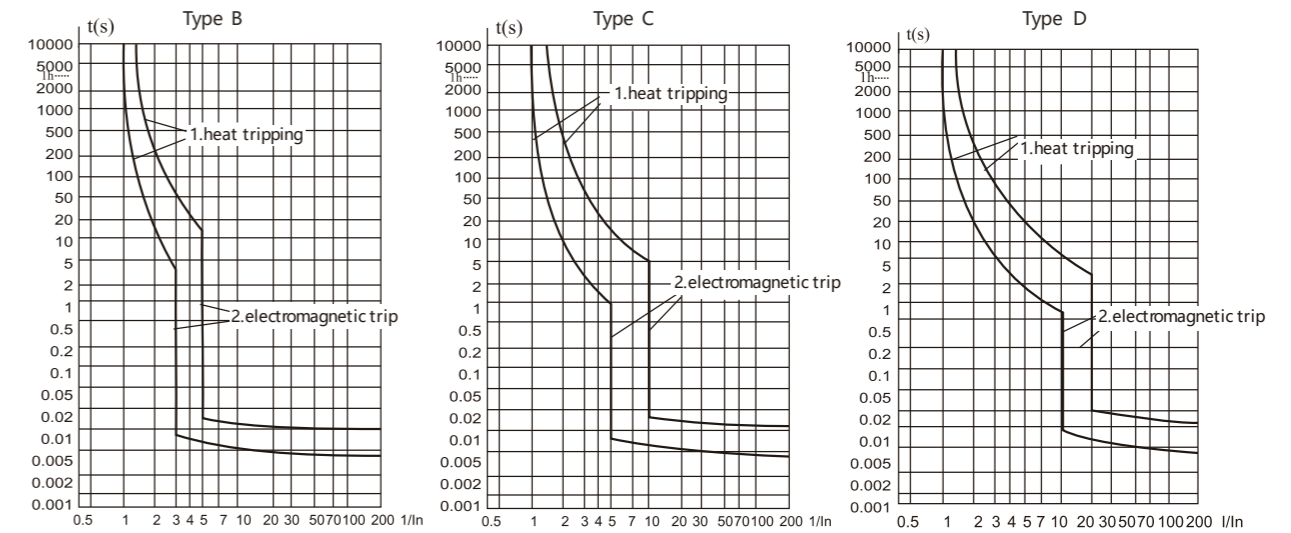
### Product Features

- Comprehensive & Versatile**  
Integrates isolation, overload, and short-circuit protection. Suitable for a wide range of applications (commercial/industrial/residential)
- Flexible Configuration**  
Offers three instantaneous tripping characteristics (Types B, C, D), multiple poles (1P, 2P, 3P, 4P), and a wide range of rated currents from 1A to 63A to meet diverse circuit requirements.
- Safety Certification**  
Complies with international standards IEC60898-1 and GB/T10963.1, and holds China Compulsory Certification (CCC).

### Type designation



### Tripping curves



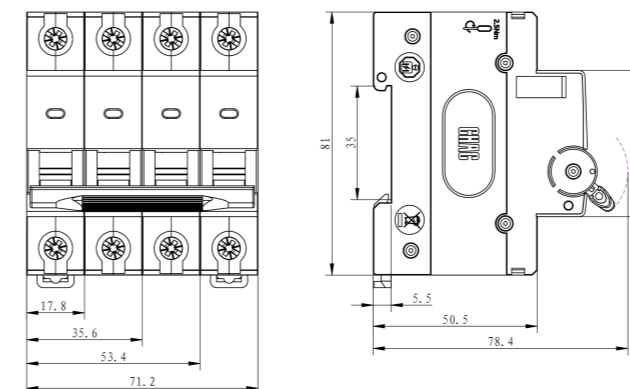
### Technical Specifications

Parameter	
Rated Insulation Voltage	500V
Rated Impulse Withstand Voltage	4000V
Rated Current (A)	6, 10, 16, 20, 25, 32, 40, 50, 63
Rated Frequency	50Hz / 60Hz
Number of Poles	1P, 2P, 3P, 4P
Rated Short-Circuit Capacity Icn (A)	4500A
Service Short-Circuit Capacity Ics (A)	4500A
Mechanical and Electrical Endurance (cycles)	Mechanical≥10000, Electrical≥10000
Instantaneous Tripping Types	B, C, D
Grip Distance	45mm
Protection Degree	IP20
Standards Compliance	IEC60898-1, GB/ T10963.1
Certification	CCC

### Conductor requirements and cross section

Copper cross-section(mm <sup>2</sup> )	Rated current In(A)
1	In≤6
1.5	6 < In≤13
2.5	13 < In≤20
4	20 < In≤25
6	25 < In≤32
10	32 < In≤50
16	50 < In≤63

### Dimensions(mm)



### Ordering Specification

- Product Model: PXB2-63
  - Number of Poles: 1P, 2P, 3P, 4P
  - Rated Current & Tripping Curve: [e.g.: C/32A]
    - Tripping Curve: B, C, D
    - Rated Current (In): 6A, 10A, 16A, 20A, 25A, 32A, 40A, 50A, 63A
  - Quantity: [e.g.: 100 pcs]
- Ordering Example:  
PXB2-63 2P C/32A 100 pcs

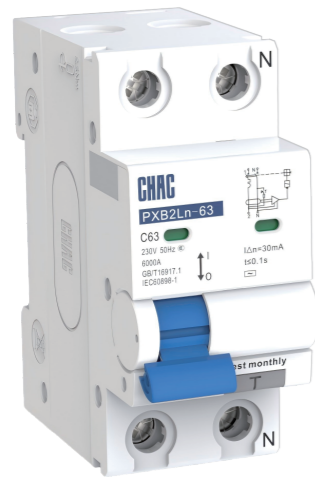
### Tripping characteristics (Reference temperature 30°C)

Item	Tripping Curve	Test current In(A)	Initial Status	Time limit for tripping or non-tripping	Expected result	Remarks
a	B, C, D	1.13In	Cold	t ≤ 1h	Non-tripping	Current smoothly rises to specified value within 5s
b	B, C, D	1.45In	Following item a test	t < 1h	Tripping	
c	B, C, D	2.55In	Cold	1s < t < 60s (In ≤ 32A) 1s < t < 120s (In > 32A)	Tripping	
d	B	3In	Cold	t ≤ 0.1s	Non-tripping	Switch on the power supply by closing the auxiliary switch
	D	10In				
e	B	5In	Cold	t < 0.1s	Tripping	Switch on the power supply by closing the auxiliary switch
	D	20In				

Note: The term "cold" means that the test is carried out at a reference calibration temperature without load before the test.

# PXB2Ln-63

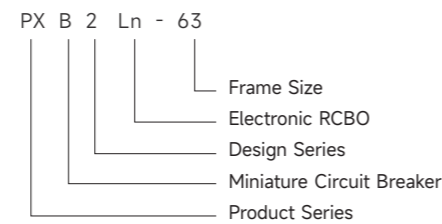
Residual Current Circuit Breaker with Overcurrent Protection - Electronic Type



## Product Features

- Earth Leakage Protection  
30/50/100/300mA sensitivity options provide personal protection against electric shock
- Dual Protection Function  
Combines overload/short-circuit protection with earth leakage protection
- Fast Response  
≤0.1s tripping time for quick fault circuit interruption
- Flexible Configurations  
1P+N, 2P, 3P, 3P+N and 4P versions available

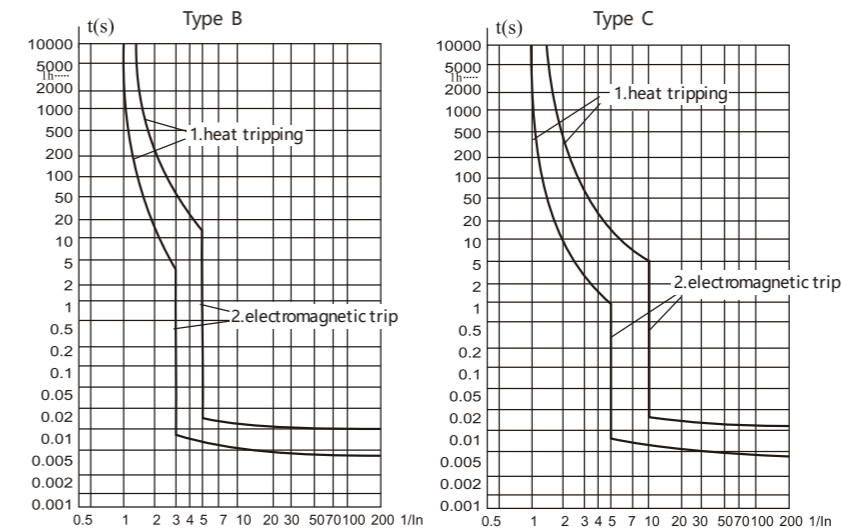
## Type designation



## Technical Specifications

Parameter	
Rated Current (In)	6A, 10A, 16A, 20A, 25A, 32A, 40A, 50A, 63A
Rated Voltage	230V~
Rated Frequency	50/60Hz
Rated Breaking Capacity	6kA
Tripping Type	Thermal-magnetic (for overload and short-circuit)
Residual Current Operating Characteristic	AC, A
Rated Residual Operating Current ((IΔn))	30mA
Rated Residual Non-Operating Current ((IΔno))	15mA
Instantaneous Tripping Type	B, C
Number of Poles	1P+N
Rated Impulse Withstand Voltage (Uimp)	4kV (1.2/50 μs wave)
Power Frequency Withstand Voltage Test	2kV for 1 minute
Thermal Tripping Characteristic	(1.13-1.45) x In
Magnetic Tripping Characteristic	B: (3-5) x In, C: (5-10) x In
Electrical Endurance	6,000 cycles
Mechanical Endurance	10,000 cycles
Contact Position Indicator	Yes
Degree of Protection	IP20
Ambient Temperature	-25°C to +40°C, max. humidity 95%
Maximum Cable Terminal Size	16mm <sup>2</sup>
Maximum Tightening Torque	2.5 N.m
Mounting Method	Mounts on 35mm DIN rail
Standard	IEC/EN 61009-1

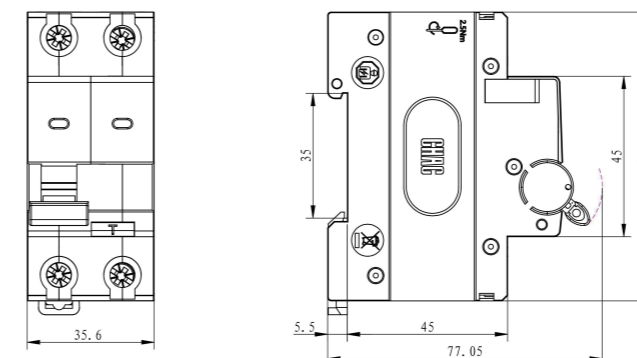
## Tripping curves



## Conductor requirements and cross section

Copper cross-section(mm <sup>2</sup> )	Rated current In(A)
1	In≤6
1.5	6 < In≤13
2.5	13 < In≤20
4	20 < In≤25
6	25 < In≤32
10	32 < In≤50
16	50 < In≤63

## Dimensions(mm)



## Ordering Specification

- 1.Product Model: PXB2Ln-63
  - 2.Number of Poles: 1P+N,
  - 3.Rated Current & Tripping Curve: [e.g.: C/32A]
    - Tripping Curve: B, C,
    - Rated Current (In): 6A, 10A, 16A, 20A, 25A, 32A, 40A, 50A, 63A
  - 4.Rated Residual Operating Current (IΔn): 30mA,
  - 5.Quantity: [e.g.: 100 pcs]
- Ordering Example:  
PXB2Ln-63 1P+N C/32A 30mA 100 pcs