

CHAC

CQB2 Series Miniature Circuit Breaker

PRODUCT CATALOG



ZHEJIANG CHUANGQI ELECTRIC CO.,LTD.

- Wenzhou Base
No. 18, Shahong Road, Beibaixiang Town, Yueqing City,Wenzhou, Zhejiang Province, China
- Jiaxing Base
No. 61, Zhengyang West Road, Xiuzhou District, Jiaxing, Zhejiang Province, China
- 0577-27878806
- marketing@chac-en.com
- www.chac-electric.com



LINKEDIN



WEBSITE

V2026.04-CHAC-MKT

CQB2-40

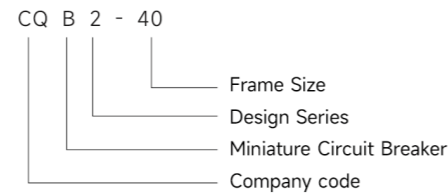
Miniature Circuit Breaker



Product Features

- Compact structure and robust design
- Low power consumption
- Easy DIN-Rail extraction
- Overload & short circuit protection
- Suitable for industrial, commercial, high-rise and civil residences circuit protection

Type designation



Technical Specifications

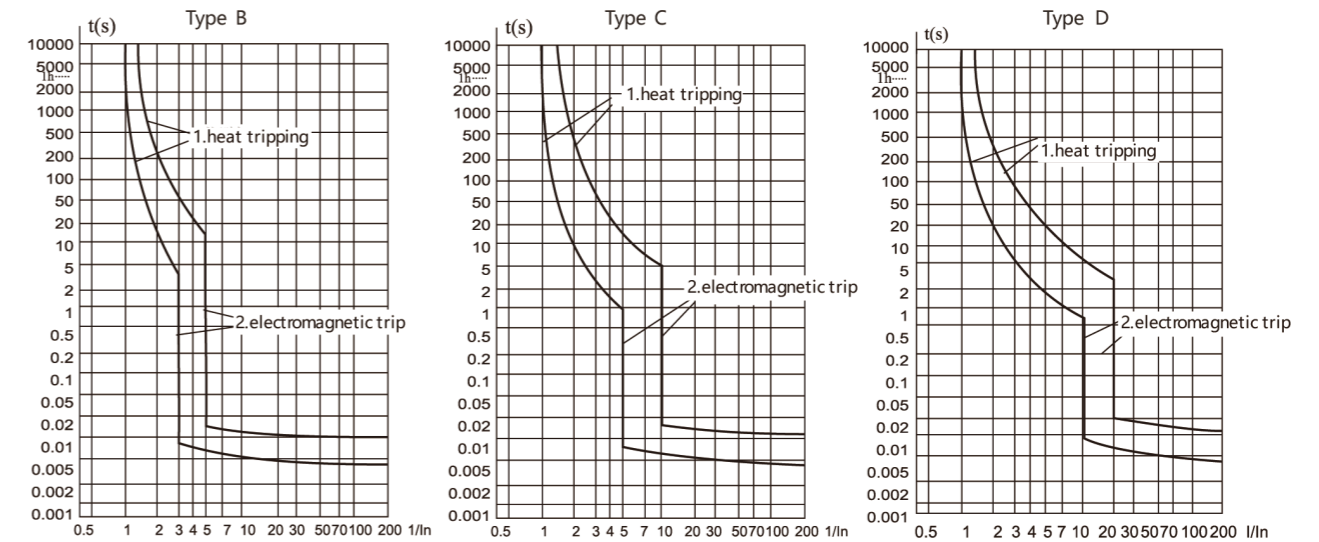
Parameter	
Rated voltage	230V~ (1P+N)
Rated current	10A, 16A, 20A, 25A, 32A, 40A
Number of poles	1P+N
Rated short circuit breaking capacity (Icn)	4500 A
Mechanical life	≥ 10,000 operations
Electrical life	≥ 10,000 operations
Tripping curves	B, C, D
Tightening torque	1.5 N·m
Pollution degree	2
Degree of protection	IP20
Overvoltage category	II
Standards	IEC 60898-1, GB/T 10963.1
Certification	CCC

Tripping characteristics (Reference temperature 30°C)

Item	Tripping Curve	Test current I _n (A)	Initial Status	Time limit for tripping or non-tripping	Expected result	Remarks
a	B, C, D	1.13I _n	Cold	t ≤ 1h	Non-tripping	Current smoothly rises to specified value within 5s
b	B, C, D	1.45I _n	Following item a test	t < 1h	Tripping	
c	B, C, D	2.55I _n	Cold	1s < t < 60s (I _n ≤ 32A) 1s < t < 120s (I _n > 32A)	Tripping	
d	B	3I _n	Cold	t ≤ 0.1s	Non-tripping	Switch on the power supply by closing the auxiliary switch
	C	5I _n				
	D	10I _n				
e	B	5I _n	Cold	t < 0.1s	Tripping	Switch on the power supply by closing the auxiliary switch
	C	10I _n				
	D	20I _n				

Note: The term "cold" means that the test is carried out at a reference calibration temperature without load before the test.

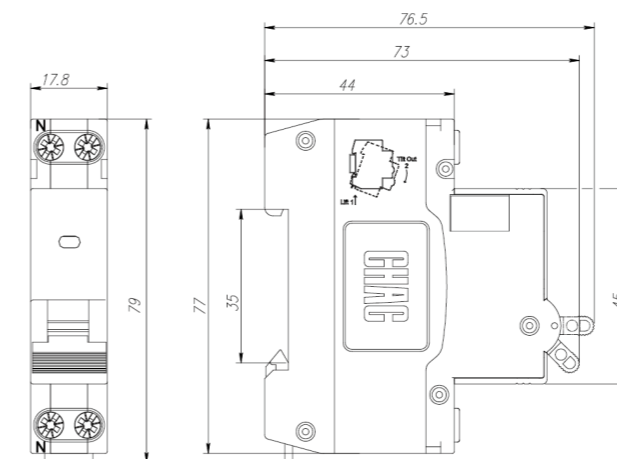
Tripping curves



Conductor requirements and cross section

Copper cross-section(mm ²)	Rated current I _n (A)
1	I _n ≤ 6
1.5	6 < I _n ≤ 13
2.5	13 < I _n ≤ 20
4	20 < I _n ≤ 25
6	25 < I _n ≤ 32
10	32 < I _n ≤ 50
16	50 < I _n ≤ 63

Dimensions(mm)



Ordering Specification

Please specify the following when ordering:

- 1.Product Model: CQB2-40
- 2.Number of Poles: 1P+N
- 3.Rated Current & Tripping Curve: [e.g.: C/32A]
 - Tripping Curve (Type): B, C, D
 - Rated Current (I_n): 10A, 16A, 20A, 25A, 32A, 40A
- 4.Quantity: [e.g.: 200 pcs]

Ordering Example:

CQB2-40 1P+N C/32A 200 pcs

CQB2-63

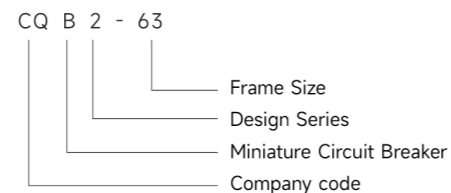
Miniature Circuit Breaker



Product Features

- High interruption rating capabilities
- Overload & short circuit protection
- Positive isolation
- Suitable for industrial, commercial, high-rise and civil residences circuit protection

Type designation



Technical Specifications

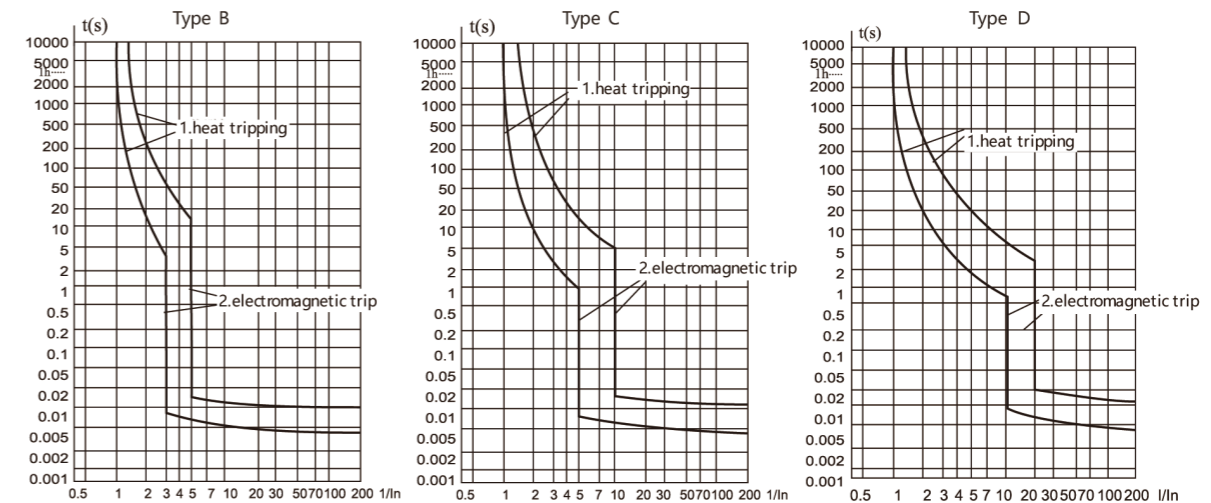
Parameter	
Rated insulation voltage	500 V
Rated impulse withstand voltage (Uimp)	4000 V
Rated current	6A, 10A, 16A, 20A, 25A, 32A, 40A, 50A, 63A
Rated frequency	50 Hz / 60 Hz
Number of poles	1P, 1P+N, 2P, 3P, 3P+N, 4P
Rated breaking capacity (Icn = Ics)	6000 A
Mechanical life	≥ 10,000 operations
Electrical life	≥ 6,000 operations
Tripping characteristics	B, C, D
Terminal center distance	45 mm
Degree of protection	IP20
Standards	IEC 60898-1, GB/T 10963.1
Certification	CCC

Tripping characteristics (Reference temperature 30°C)

Item	Tripping Curve	Test current I _n (A)	Initial Status	Time limit for tripping or non-tripping	Expected result	Remarks
a	B, C, D	1.13I _n	Cold	t ≤ 1h	Non-tripping	Current smoothly rises to specified value within 5s
b	B, C, D	1.45I _n	Following item a test	t < 1h	Tripping	
c	B, C, D	2.55I _n	Cold	1s < t < 60s (I _n ≤ 32A) 1s < t < 120s (I _n > 32A)	Tripping	
d	B	3I _n	Cold	t ≤ 0.1s	Non-tripping	Switch on the power supply by closing the auxiliary switch
	C	5I _n				
	D	10I _n				
e	B	5I _n	Cold	t < 0.1s	Tripping	Switch on the power supply by closing the auxiliary switch
	C	10I _n				
	D	20I _n				

Note: The term "cold" means that the test is carried out at a reference calibration temperature without load before the test.

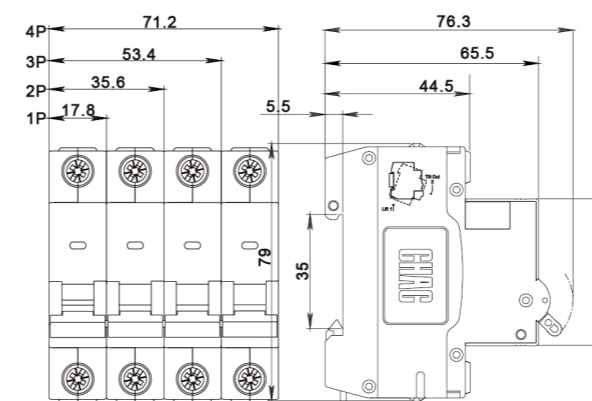
Tripping curves



Conductor requirements and cross section

Copper cross-section(mm ²)	Rated current I _n (A)
1	I _n ≤ 6
1.5	6 < I _n ≤ 13
2.5	13 < I _n ≤ 20
4	20 < I _n ≤ 25
6	25 < I _n ≤ 32
10	32 < I _n ≤ 50
16	50 < I _n ≤ 63

Dimensions(mm)



Ordering Specification

Please specify the following when ordering:

- 1.Product Model: CQB2-63
- 2.Number of Poles: 1P, 1P+N, 2P, 3P, 3P+N, 4P
- 3.Rated Current & Tripping Curve: [e.g.: C/16A]
 - Tripping Curve (Type): B, C, D
 - Rated Current (I_n): 6A, 10A, 16A, 20A, 25A, 32A, 40A, 50A, 63A
- 4.Quantity: [e.g.: 100 pcs]

Ordering Example:
CQB2-63 2P C/16A 100 pcs

CQB2-125

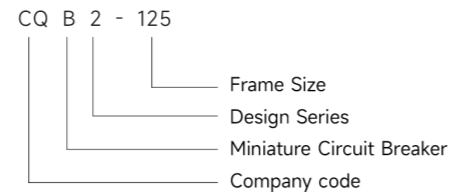
Miniature Circuit Breaker



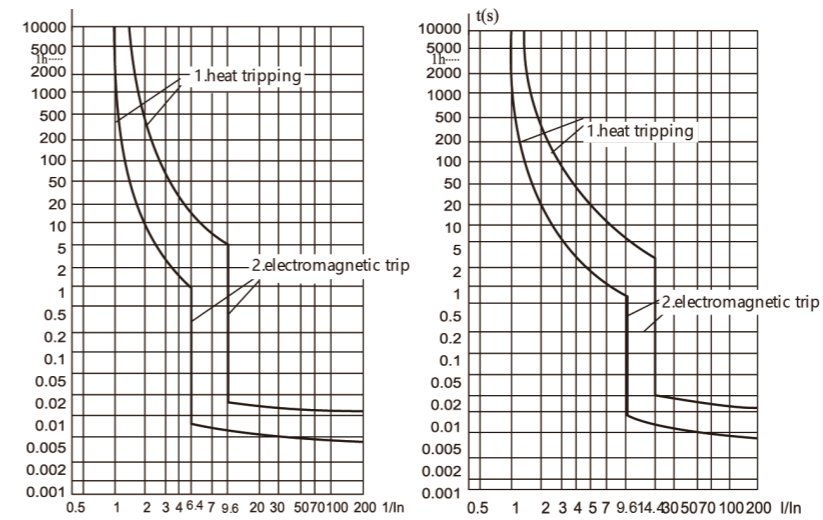
Product Features

- Overload & short circuit protection
- Positive isolation
- High breaking capacity up to 10KA
- Comprehensive range of accessories suitable for subsequent installation
- Suitable for industrial, commercial, high-rise and civil residences circuit protection

Type designation



Tripping curves



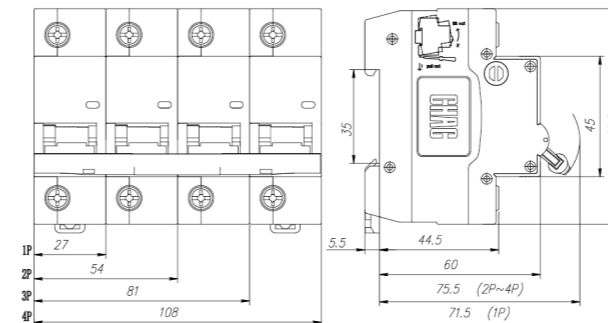
Technical Specifications

Parameter	
Rated voltage (V)	AC230V, AC400V
Rated current (A)	63A, 80A, 100A, 125A
Number of poles	1P, 2P, 3P, 4P
Tripping curves	C, D
Rated short-circuit breaking capacity Icu (A)	10000 A
Rated service short-circuit breaking capacity Ics (A)	7500 A
Rated impulse withstand voltage Uimp (V)	4000 V
Mechanical life	≥ 8500 operations
Electrical life	≥ 1500 operations
Degree of protection	IP20
Standards	IEC 60947-2, GB/T 14048.2
Certification	CCC

Conductor requirements and cross section

Copper cross-section(mm ²)	Rated current In(A)
16	63A
25	80A
35	100A
50	125A

Dimensions(mm)



Ordering Specification

Please specify the following when ordering:

- 1.Product Model: CQB2-125
- 2.Number of Poles: 1P, 2P, 3P, 4P
- 3.Tripping Curve Type: C or D
- 4.Rated Current (In): 63A, 80A, 100A, 125A
- 5.Quantity: [e.g.: 100 pcs]

Ordering Example:

CQB2-125 2P C/100A 100 pcs

Tripping characteristics (Reference temperature 30°C)

Item	Tripping Curve	Test current In(A)	Initial Status	Time limit for tripping or non-tripping	Expected result	Remarks
a	C, D	1.05In	Cold	1h(In≤63A) 2h(In>63A)	Non-tripping	Current smoothly rises to specified value within 5s
b	C, D	1.3In	Following item a test	1h(In≤63A) 2h(In>63A)	Tripping	
c	C, D	2In	Cold	1s<t<300s	Tripping	
d	C	8In×80%	Cold	t ≤ 0.2s	Non-tripping	Switch on the power supply by closing the auxiliary switch
	D	12In×80%				
e	C	8In×80%	Cold	t < 0.2s	Tripping	Switch on the power supply by closing the auxiliary switch
	D	12In×80%				

Note: The term "cold" means that the test is carried out at a reference calibration temperature without load before the test.

CQB2H-63

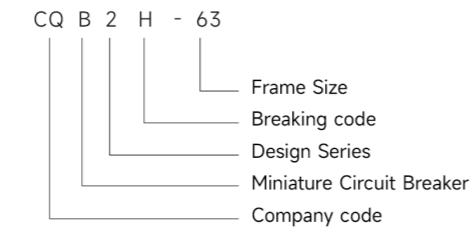
Miniature Circuit Breaker



Product Features

- Overload & short circuit protection
- Positive isolation
- High breaking capacity up to 10KA
- Comprehensive range of accessories suitable for subsequent installation
- Suitable for industrial, commercial, high-rise and civil residences circuit protection

Type designation



Technical Specifications

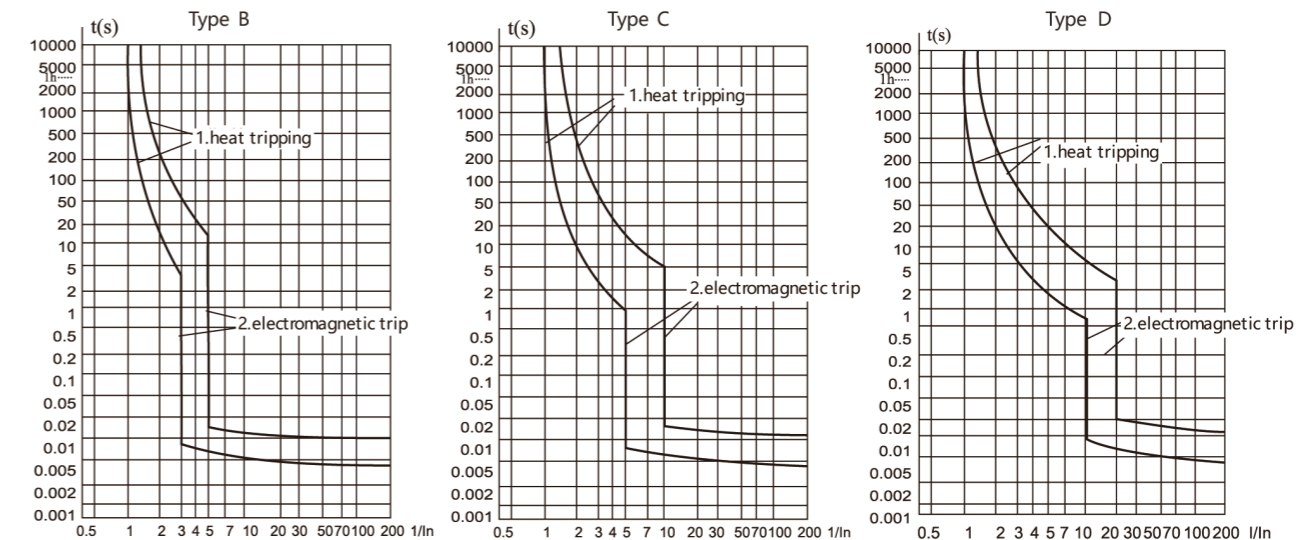
Parameter	
Rated voltage	230V/400V (1P), 400V~ (2P/3P/4P)
Rated current	6A, 10A, 16A, 20A, 25A, 32A, 40A, 50A, 63A
Number of poles	1P, 2P, 3P, 4P
Rated short circuit breaking capacity Icn	10000 A
Mechanical & Electrical life	Mechanical ≥ 20000, Electrical ≥ 6000
Tripping characteristics	B, C, D
Tightening torque (N·m)	3.5
Pollution degree	2
Degree of protection	IP20
Overvoltage category	II, III
Standards	IEC 60898-1, GB/T 10963.1

Tripping characteristics (Reference temperature 30°C)

Item	Tripping Curve	Test current I _n (A)	Initial Status	Time limit for tripping or non-tripping	Expected result	Remarks
a	B, C, D	1.13I _n	Cold	t ≤ 1h	Non-tripping	Current smoothly rises to specified value within 5s
b	B, C, D	1.45I _n	Following item a test	t < 1h	Tripping	
c	B, C, D	2.55I _n	Cold	1s < t < 60s (I _n ≤ 32A) 1s < t < 120s (I _n > 32A)	Tripping	
d	B	3I _n	Cold	t ≤ 0.1s	Non-tripping	Switch on the power supply by closing the auxiliary switch
	C	5I _n				
	D	10I _n				
e	B	5I _n	Cold	t < 0.1s	Tripping	Switch on the power supply by closing the auxiliary switch
	C	10I _n				
	D	20I _n				

Note: The term "cold" means that the test is carried out at a reference calibration temperature without load before the test.

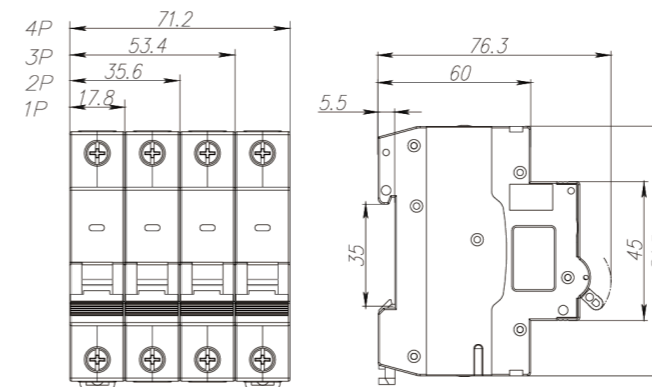
Tripping curves



Conductor requirements and cross section

Copper cross-section(mm ²)	Rated current I _n (A)
1.5	6 < I _n ≤ 13
2.5	13 < I _n ≤ 20
4	20 < I _n ≤ 25
6	25 < I _n ≤ 32
10	32 < I _n ≤ 50
16	50 < I _n ≤ 63

Dimensions(mm)



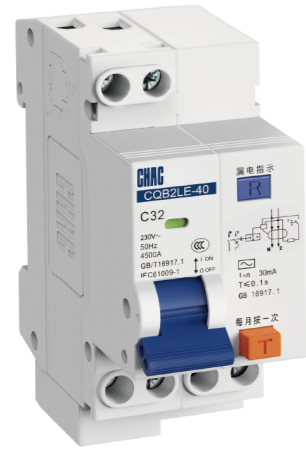
Ordering Specification

Please specify the following when ordering:

- Product Model: CQB2H-63
 - Number of Poles: 1P, 2P, 3P, 4P
 - Tripping Curve & Rated Current: [e.g.: C/32A]
 - Tripping Curve: B, C, D
 - Rated Current (I_n): 6A, 10A, 16A, 20A, 25A, 32A, 40A, 50A, 63A
 - Quantity: [e.g.: 100 pcs]
- Ordering Example:
CQB2H-63 2P C/32A 100 pcs

CQB2LE-40

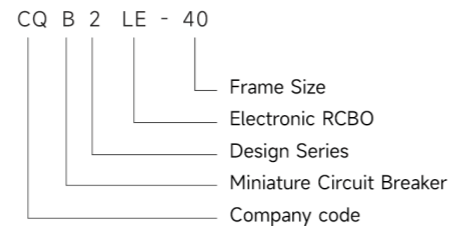
Residual Current Circuit Breaker with Overcurrent Protection - Electronic Type



Product Features

- Sensitive protection: 30mA earth leakage protection with 0.1s fast response
- Dual safety: Overload and short-circuit protection in one device
- Wide applicability: 6-40A multi-current options for various loads
- Compact design: 1P+N configuration saves space

Type designation



Technical Specifications

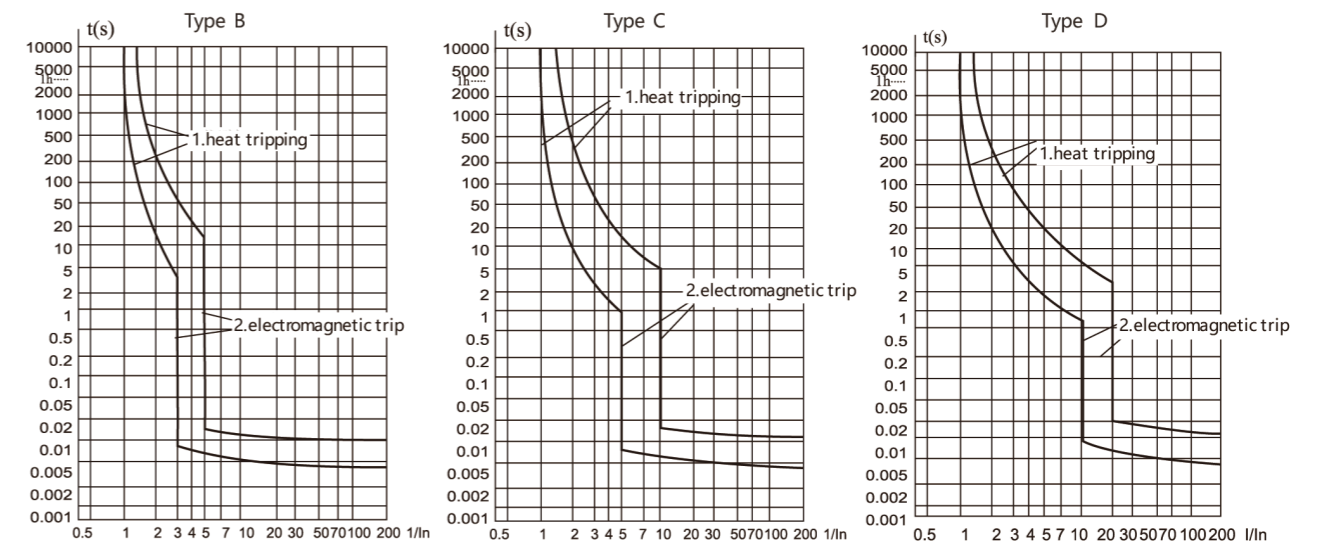
Parameter	
Rated voltage	230V~
Rated current	6A, 10A, 16A, 20A, 25A, 32A, 40A
Frequency	50Hz/60Hz
Number of poles	1P+N
Rated residual operating current (I _{Δn})	30 mA
Rated residual non-operating current	15 mA
Rated short-circuit breaking capacity (I _{cu})	4500 A
Rated residual making and breaking capacity	500 A
Tripping time	≤ 0.1 s
Mechanical life	10,000 operations
Electrical life	10,000 operations
Tripping characteristics	B, C, D
Pollution degree	2
Degree of protection	IP20
Standards	IEC 61009-1, GB/T 16917.1
Certification	CCC

Tripping characteristics (Reference temperature 30°C)

Item	Tripping Curve	Test current I _n (A)	Initial Status	Time limit for tripping or non-tripping	Expected result	Remarks
Delay	≤40	Cold	1.13I _n	≤1h	Non-tripping	
Delay	≤40	Following previous test	1.45I _n	<1h	Tripping	Current smoothly rises to specified value in 5s
Delay	≤32	Cold	2.55I _n	1<t<60s	Tripping	
Delay	40	Cold	2.55I _n	1<t<120s	Tripping	
Instantaneous	Any value	Cold	3、5、10I _n	≤0.1s	Non-tripping	B、C、D
Instantaneous	Any value	Cold	5、10、20I _n	<0.1s	Tripping	B、C、D

Note: The term "cold" means that the test is carried out at a reference calibration temperature without load before the test.

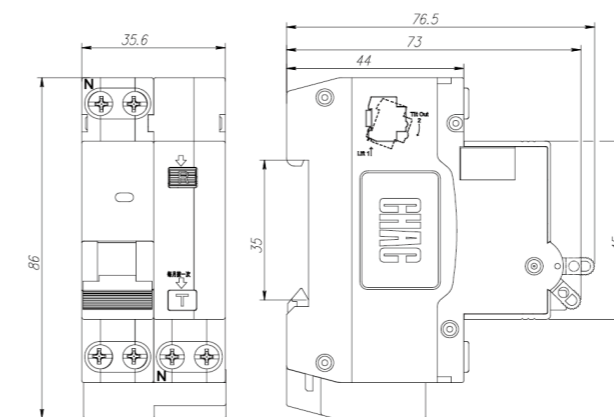
Tripping curves



Conductor requirements and cross section

Copper cross-section(mm ²)	Rated current I _n (A)
1	I _n ≤6
1.5	6 < I _n ≤13
2.5	13 < I _n ≤20
4	20 < I _n ≤25
6	25 < I _n ≤32
10	32 < I _n ≤40

Dimensions(mm)



Ordering Specification

Please specify the following when ordering:

- 1.Product Model: CQB2LE-40
- 2.Number of Poles: 1P+N
- 3.Rated Current & Tripping Curve: [e.g.: C/16A]
 - Tripping Curve: B, C, D
 - Rated Current (I_n): 6A, 10A, 16A, 20A, 25A, 32A, 40A
- 4.Rated Residual Operating Current (I_{Δn}): 30mA
- 5.Quantity: [e.g.: 100 pcs]

Ordering Example:

CQB2LE-40 1P+N C/16A 30mA 100 pcs

CQB2LE-63

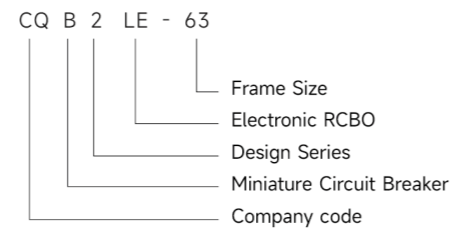
Residual Current Circuit Breaker with Overcurrent Protection - Electronic Type



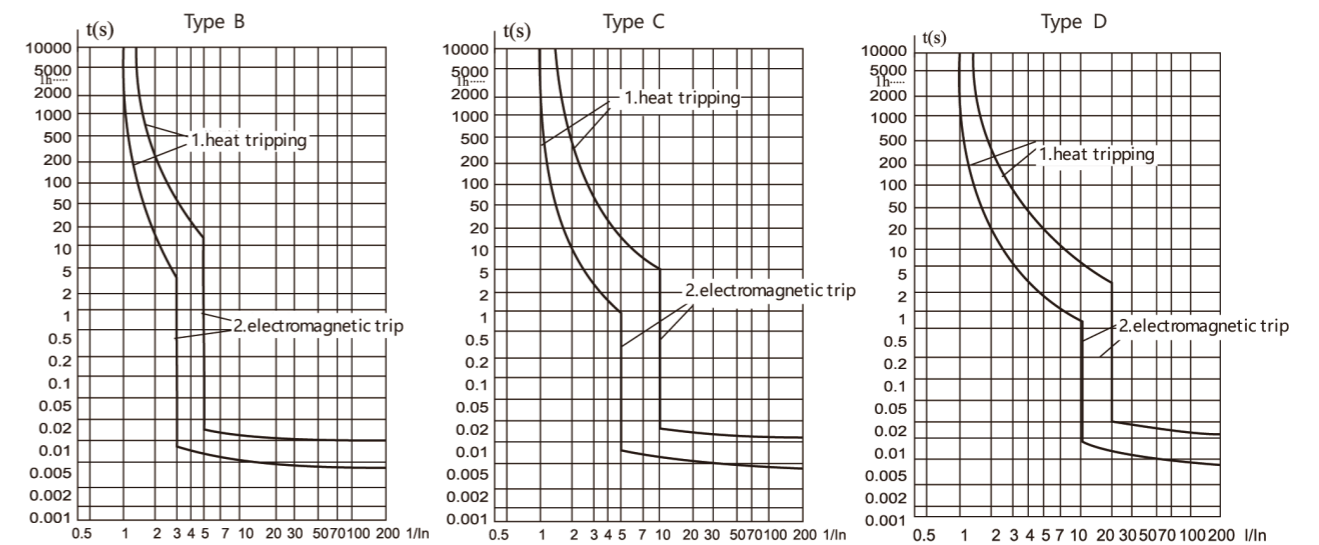
Product Features

- Balanced performance: 63A rating with 6000A breaking capacity
- Fast protection: $\leq 0.1s$ tripping time for quick fault isolation
- Flexible application: 2P to 4P options for single/three-phase systems
- Easy installation: Standard size for simple integration

Type designation



Tripping curves



Technical Specifications

Parameter	
Rated voltage	230V~ (2P, 1P+N) / 400V~ (3P, 4P, 3P+N)
Rated current	6A, 10A, 16A, 20A, 25A, 32A, 40A, 50A, 63A
Number of poles	2P, 3P, 4P, 1P+N, 3P+N
Rated breaking capacity (I _{cn} = I _{cs})	6000 A
Rated residual operating current (I Δ n)	30, 50, 100, 300 mA
Rated residual non-operating current	0.5 I Δ n
Rated residual making and breaking capacity	2000 A
Tripping time	≤ 0.1 s
Mechanical life	4000 operations
Electrical life	4000 operations
Tripping curves	B, C, D
Degree of protection	IP20
Overvoltage category	III
Standards	IEC 61009-1, GB/T 16917.1
Certification	CCC

Tripping characteristics (Reference temperature 30°C)

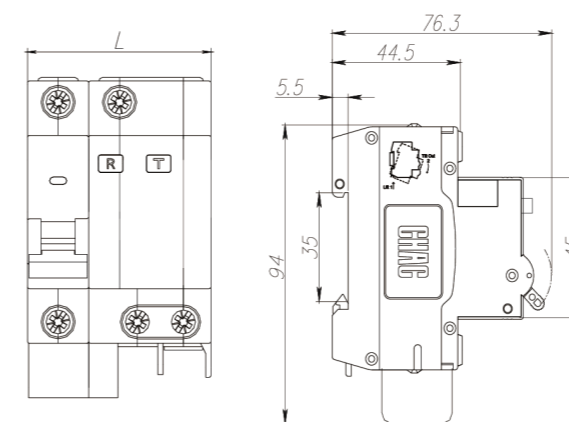
Item	Tripping Curve	Test current I _n (A)	Initial Status	Time limit for tripping or non-tripping	Expected result	Remarks
Delay	≤ 63	Cold	1.13I _n	$\leq 1h$	Non-tripping	
Delay	≤ 63	Following previous test	1.45I _n	$< 1h$	Tripping	Current smoothly rises to specified value in 5s
Delay	≤ 32	Cold	2.55I _n	1<t<60s	Tripping	
Delay	>32	Cold	2.55I _n	1<t<120s	Tripping	
Instantaneous	Any value	Cold	3, 5, 10I _n	$\leq 0.1s$	Non-tripping	B, C, D
Instantaneous	Any value	Cold	5, 10, 20I _n	$< 0.1s$	Tripping	B, C, D

Note: The term "cold" means that the test is carried out at a reference calibration temperature without load before the test.

Conductor requirements and cross section

Copper cross-section(mm ²)	Rated current I _n (A)
1	I _n ≤ 6
1.5	6 < I _n ≤ 13
2.5	13 < I _n ≤ 20
4	20 < I _n ≤ 25
6	25 < I _n ≤ 32
10	32 < I _n ≤ 50
16	50 < I _n ≤ 63

Dimensions(mm)



Poles	L
1P+N	53.4
2P	71.2
3P	102.4
3P+N	115.8
4P	133.6

Ordering Specification

Please specify the following when ordering:

- 1.Product Model: CQB2LE-63
- 2.Number of Poles: 1P+N, 2P, 3P, 3P+N, 4P
- 3.Rated Current & Tripping Curve: [e.g.: C/32A]
 - Tripping Curve: B, C, D
 - Rated Current (I_n): 6A, 10A, 16A, 20A, 25A, 32A, 40A, 50A, 63A
- 4.Rated Residual Operating Current (I Δ n): 30mA, 50mA, 100mA, 300mA

5.Quantity: [e.g.: 100 pcs]

Ordering Example:

CQB2LE-63 2P C/32A 30mA 100 pcs

CQB2LE-125

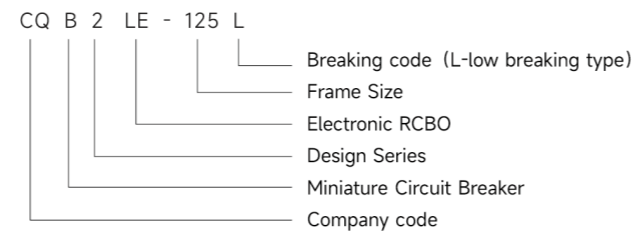
Residual Current Circuit Breaker with Overcurrent Protection - Electronic Type



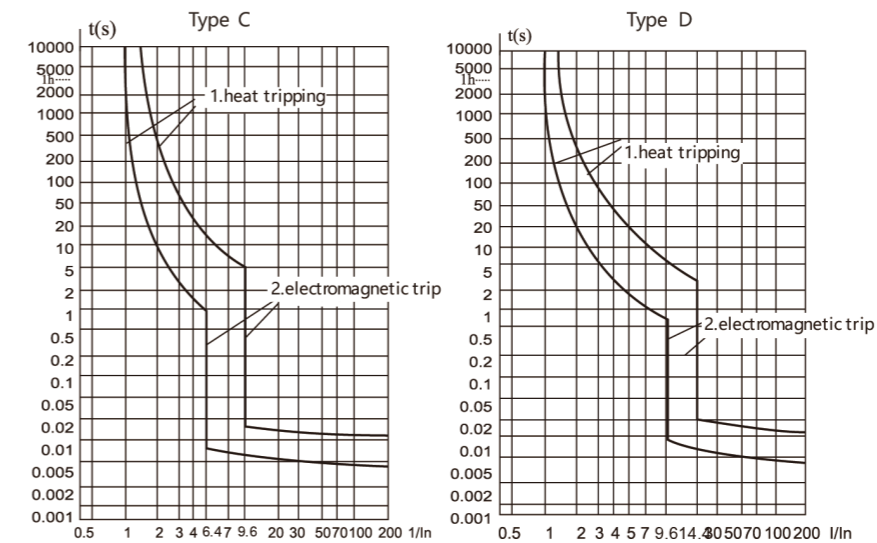
Product Features

- Industrial grade: 125A high rated current for main distribution
- Strong breaking: 10kA breaking capacity handles severe faults
- Flexible settings: 30-300mA adjustable sensitivity
- Multiple poles: 1P+N to 4P options for three-phase systems
- High reliability: Long mechanical life for frequent operation

Type designation



Tripping curves



Technical Specifications

Parameter	
Rated voltage	230V~ (1P+N/2P), 400V~ (3P/3P+N/4P)
Rated current	63A, 80A, 100A, 125A
Number of poles	1P+N, 2P, 3P, 3P+N, 4P
Rated breaking capacity Icu (A)	10000 A, 6000 A (Lower type)
Rated sensitivity IΔn	30 mA, 50 mA, 75 mA, 100 mA, 300 mA
Mechanical & Electrical life	Mechanical ≥ 8500, Electrical ≥ 1500
Tripping curves	C, D
Tightening torque (N·m)	3.5
Pollution degree	2
Degree of protection	IP20
Overvoltage category	III
Standards	IEC 60947-2, GB/T 14048.2
Certification	CCC

Tripping characteristics (Reference temperature 30°C)

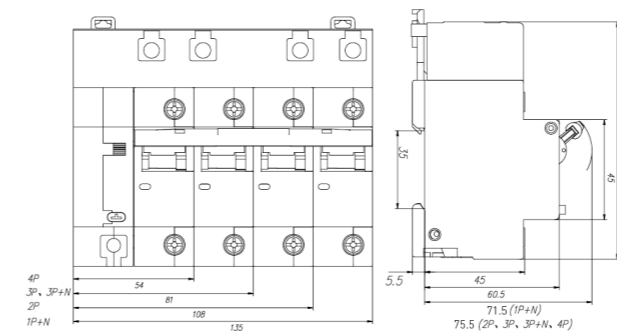
Item	Tripping Curve	Test current I _n (A)	Initial Status	Time limit for tripping or non-tripping	Expected result	Remarks
a	C, D	1.05I _n	Cold	1h(I _n ≤63A) 2h(I _n >63A)	Non-tripping	Current smoothly rises to specified value within 5s
b	C, D	1.3I _n	Following item a test	1h(I _n ≤63A) 2h(I _n >63A)	Tripping	
c	C, D	2I _n	Cold	1s<t<300s	Tripping	
d	C	8I _n ×80%	Cold	t ≤ 0.2s	Non-tripping	Switch on the power supply by closing the auxiliary switch
	D	12I _n ×80%				
e	C	8I _n ×80%	Cold	t < 0.2s	Tripping	Switch on the power supply by closing the auxiliary switch
	D	12I _n ×80%				

Note: The term "cold" means that the test is carried out at a reference calibration temperature without load before the test.

Conductor requirements and cross section

Copper cross-section(mm ²)	Rated current I _n (A)
16	63A
25	80A
35	100A
50	125A

Dimensions(mm)



Ordering Specification

Please specify the following when ordering:

- 1.Product Model: CQB2LE-125
- 2.Number of Poles: 1P+N, 2P, 3P, 3P+N, 4P
- 3.Rated Current & Tripping Curve: [e.g.: C/100A]

- Tripping Curve: C, D
- Rated Current (I_n): 63A, 80A, 100A, 125A
- 4.Rated Residual Operating Current (I_{Δn}): 30mA, 50mA, 75mA, 100mA, 300mA

5.Quantity: [e.g.: 100 pcs]

Ordering Example:

CQB2LE-125 3P C/100A 100mA 100 pcs

CQB2HL-63

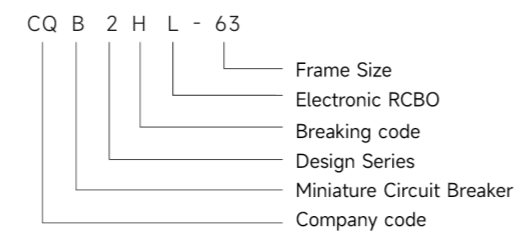
Residual Current Circuit Breaker with Overcurrent Protection - Electronic Type



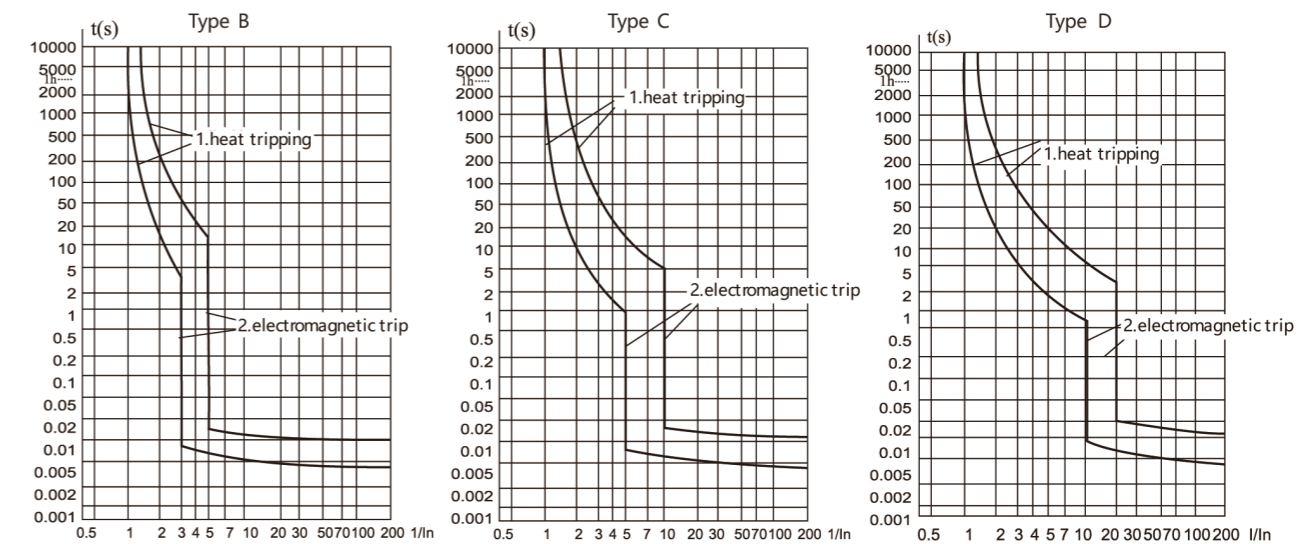
Product Features

- High performance: 10kA breaking capacity for reliable protection
- Precise matching: B/C/D tripping curves for different loads
- Multiple options: 30-300mA five-level sensitivity selection
- Long lifespan: 20,000 mechanical operations ensure durability
- Full protection: IP20 rating for various environments

Type designation



Tripping curves



Technical Specifications

Parameter	
Rated voltage	230V~ (1P+N, 2P), 400V~ (3P, 3P+N, 4P)
Rated current	6A, 10A, 16A, 20A, 25A, 32A, 40A, 50A, 63A
Rated tripping current IΔn	30mA, 50mA, 75mA, 100mA, 300mA
Number of poles	1P+N, 2P, 3P, 3P+N, 4P
Rated breaking capacity Icn	10000 A
Mechanical & Electrical life	Mechanical ≥ 20000, Electrical ≥ 6000
Tightening torque (N·m)	3.5
Pollution degree	2
Degree of protection	IP20
Overvoltage category	II, III
Tripping characteristics	2
Standards	IEC 61009-1, GB/T 16917.1
Certification	CCC

Tripping characteristics (Reference temperature 30°C)

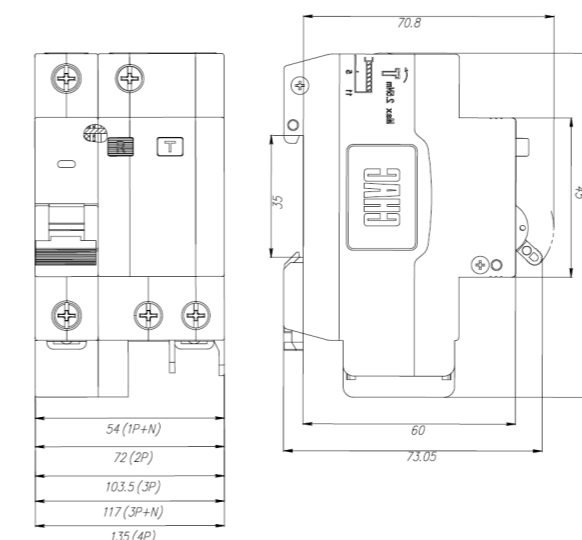
Item	Tripping Curve	Test current I _n (A)	Initial Status	Time limit for tripping or non-tripping	Expected result	Remarks
a	B, C, D	1.13I _n	Cold	t ≤ 1h	Non-tripping	Current smoothly rises to specified value within 5s
b	B, C, D	1.45I _n	Following item a test	t < 1h	Tripping	
c	B, C, D	2.55I _n	Cold	1s < t < 60s (I _n ≤ 32A) 1s < t < 120s (I _n > 32A)	Tripping	
d	B	3I _n	Cold	t ≤ 0.1s	Non-tripping	Switch on the power supply by closing the auxiliary switch
	C	5I _n				
e	D	10I _n	Cold	t < 0.1s	Tripping	Switch on the power supply by closing the auxiliary switch
	B	5I _n				
	C	10I _n				

Note: The term "cold" means that the test is carried out at a reference calibration temperature without load before the test.

Conductor requirements and cross section

Copper cross-section(mm ²)	Rated current I _n (A)
1	I _n ≤ 6
1.5	6 < I _n ≤ 13
2.5	13 < I _n ≤ 20
4	20 < I _n ≤ 25
6	25 < I _n ≤ 32
10	32 < I _n ≤ 50
16	50 < I _n ≤ 63

Dimensions(mm)



Ordering Specification

Please specify the following when ordering:

- Product Model: CQB2HL-63
- Poles & Residual Operating Current: [e.g.: 2P / 30mA]
 - Number of Poles: 1P+N, 2P, 3P, 3P+N, 4P
 - Rated Residual Operating Current (I_{Δn}): 30mA, 50mA, 100mA, 300mA
- Tripping Curve & Rated Current: [e.g.: C/32A]
 - Tripping Curve: B, C, D
 - Rated Current (I_n): 6A, 10A, 16A, 20A, 25A, 32A, 40A, 50A, 63A
- Quantity: [e.g.: 100 pcs]

Ordering Example:

CQB2HL-63 2P C/32A 30mA 100 pcs

CQD2-125

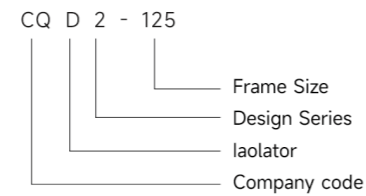
Switch Disconnecter



Product Features

- Rated insulation voltage of 500V, High rated current (up to 125A) and strong short-time withstand current.
- Complies with the requirements for isolation function. It features safe isolation distance and a clear "OFF" position indication, ensuring the circuit is completely isolated from the power source when switched off, thereby safeguarding equipment and personnel.
- Available in 1P to 4P and multiple current ratings.

Type designation



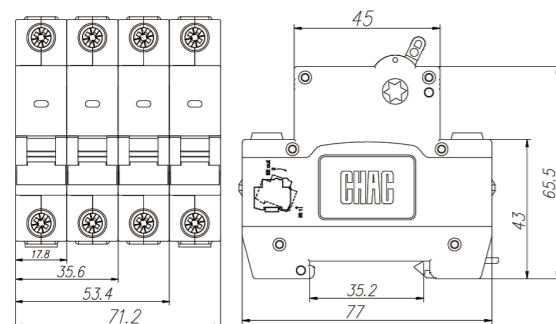
Technical Specifications

Parameter	
Rated voltage (Ue)	AC 230 V, AC 400 V
Rated current (Ie)	32A, 40A, 50A, 63A, 80A, 100A, 125A
Number of poles	1P, 2P, 3P, 4P
Rated short-time withstand current (Icw)	12 Ie (t = 1 s)
Rated short-circuit making capacity (Icm)	20 Ie (t = 0.05 s)
Rated impulse withstand voltage (Uimp)	6 kV (1.2/50 μs, 2000 m)
Mechanical & Electrical life	Mechanical ≥ 8500, Electrical ≥ 1500
Standards	IEC 60947-3, GB/T 14048.3
Certification	CCC

Conductor requirements and cross section

Copper cross-section(mm ²)	Rated current In(A)
6	32A
10	40A
10	50A
16	63A
25	80A
35	100A
50	125A

Dimensions(mm)



Ordering Specification

Please specify the following when ordering:

- 1.Product Model: CQD2-125
- 2.Number of Poles: 1P, 2P, 3P, 4P
- 3.Rated Current: 32A, 63A, 100A
- 4.Quantity: [e.g.: 100 pcs]

Ordering Example:

CQD2-125 2P 32A 100 pcs

CQAF2

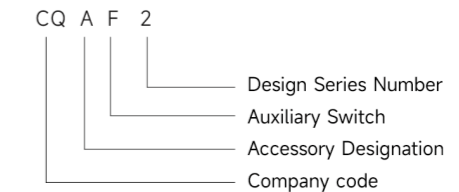
Auxiliary Switch



Product Features

- Designed to be assembled with CQB2 circuit breakers to provide remote signal indication for the breaker's ON/OFF status.
- Suitable for both AC 230V and DC 110V control circuits.
- Complies with GB/T 14048.5 and IEC 60947-5-1 standards, with a mechanical life of no less than 10,000 operations.

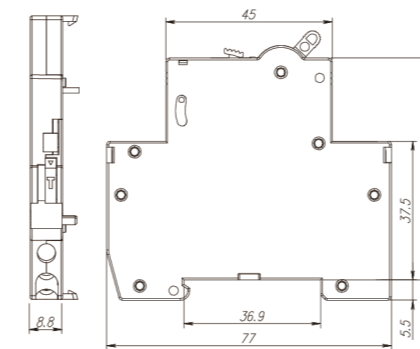
Type designation



Technical Specifications

Parameter		
AC-15	Rated Operational Voltage	AC 230V 50Hz
	Rated operating current	6A
DC-13	Rated Operational Voltage	DC110V
	Rated operating current	1A
Mechanical Life	10000	
Standards	GB/T 14048.5, IEC 60947-5-1	

Dimensions(mm)



Ordering Specification

Please specify the following when ordering:

- Product Model: CQAF2
- Quantity: [e.g.: 100 pcs]

Ordering Example:

CQAF2 100 pcs

CQAS2 Alarm Switch



Product Features

- Designed to be assembled with CQB2 circuit breakers to provide a remote alarm signal upon fault tripping (e.g., due to overload or short circuit).
- Suitable for both AC 230V and DC 110V control circuits.
- Complies with GB/T 14048.5 and IEC 60947-5-1 standards, with a mechanical life of no less than 10,000 operations.
- Rated operational current: 6A under utilization category AC-15; 1A under utilization category DC-13.

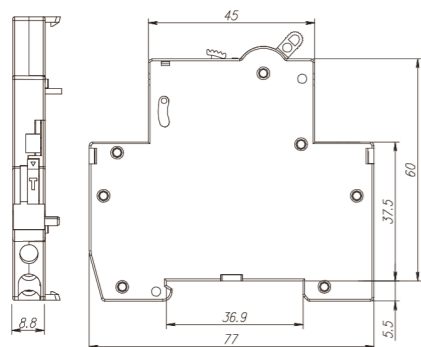
Type designation



Technical Specifications

Parameter		
AC-15	Rated Operational Voltage	AC 230V 50Hz
	Rated operating current	6A
DC-13	Rated Operational Voltage	DC110V
	Rated operating current	1A
Mechanical Life	10000	
Standards	GB/T 14048.5, IEC 60947-5-1	

Dimensions(mm)



Ordering Specification

Please specify the following when ordering:

- Product Model: CQAS2
- Quantity: [e.g.: 100 pcs]

Ordering Example:

CQAS2 100 pcs

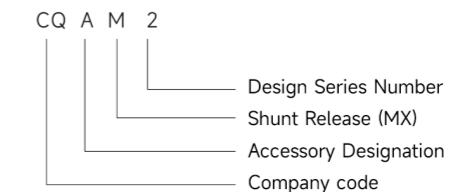
CQAM2 Shunt Release



Product Features

- Designed to be assembled with CQB2 circuit breakers to achieve remote tripping and opening of the breaker by applying the rated voltage.
- Features a broad operating voltage range (160V - 260V), ensuring reliable operation and stability of remote control within this range.
- Complies with GB/T 14048.5 and IEC 60947-5-1 standards, with a rated insulation voltage of 415V.

Type designation



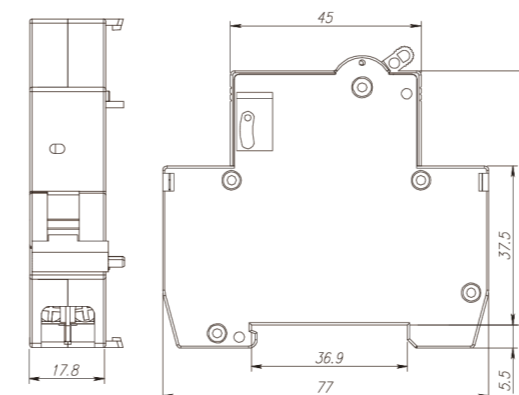
Technical Specifications

Parameter		
AC-15	Rated Operational Voltage (V)	AC 230V 50Hz
	Rated Insulation Voltage (V)	415V
Operating Characteristics	When the voltage is between 160-260V, the trip unit can reliably operate.	
Mechanical Life	4000	
Standards	GB/T 14048.5, IEC 60947-5-1	

Conductor requirements and cross section

Copper cross-section(mm ²)
1 X 2.5

Dimensions(mm)



Ordering Specification

Please specify the following when ordering:

- Product Model: CQAM2
- Quantity: [e.g.: 100 pcs]

Ordering Example:

CQAM2 100 pcs

CQAU2

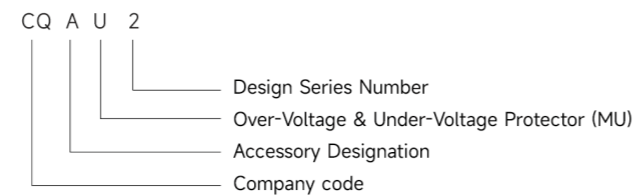
Over-Voltage & Under-Voltage Protector



Product Features

- Designed to be assembled with CQB2 circuit breakers to monitor line voltage and automatically trip to protect downstream equipment in the event of over-voltage or under-voltage conditions.
- Over-voltage tripping: $\geq (265\pm 10)V$; Under-voltage tripping: $\leq (165\pm 10)V$. Normal operating voltage range: 175V - 255V.
- Complies with GB/T 14048.5 and IEC 60947-5-1 standards, with a rated insulation voltage of 415V.

Type designation



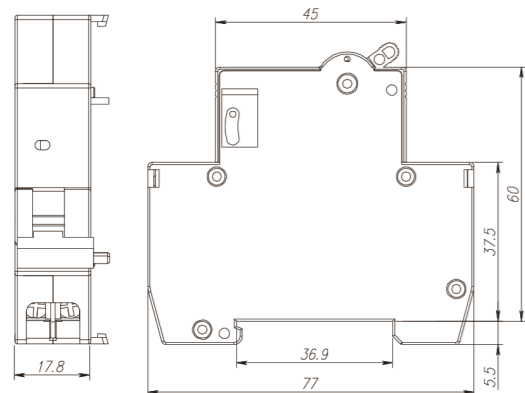
Technical Specifications

Parameter		
AC-15	Rated Operational Voltage (V)	AC 230V 50Hz
	Rated Insulation Voltage (V)	415V
Operating Characteristics	Maintains long-term circuit breaker operation at voltages between 175V - 255V.	
	Trips at voltages $\geq 265\pm 10V$ (Over-Voltage) Trips at voltages $\leq 165\pm 10V$ (Under-Voltage)	
Mechanical Life	Not less than 4,000 operations.	
Standards	GB/T 14048.5, IEC 60947-5-1	

Conductor requirements and cross section

Copper cross-section(mm ²)
1 X 2.5

Dimensions(mm)



Ordering Specification

Please specify the following when ordering:

- Product Model: CQAU2
- Quantity: [e.g.: 100 pcs]

Ordering Example:

CQAU2 100 pcs

CQAX2

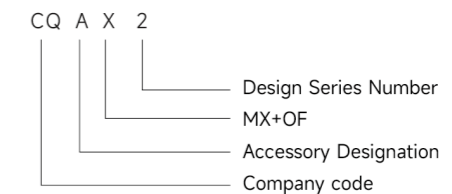
Shunt Release + Auxiliary Switch Combination Unit



Product Features

- Combines the functions of a Shunt Release and an Auxiliary Switch into a single module, saving installation space.
- Capable of both remote tripping operation (Shunt Release function) and providing breaker status signals (Auxiliary Switch function).
- The shunt release unit operates reliably within a wide voltage range of 160V - 260V.
- Dual Supply Signal Compatibility: The auxiliary switch part is suitable for both AC 230V and DC 110V control circuits.

Type designation



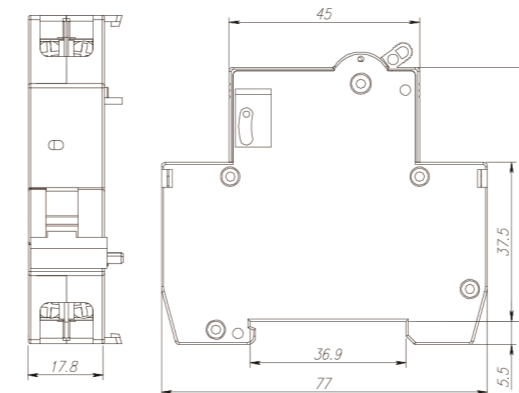
Technical Specifications

Parameter		
AC-15	Rated Operational Voltage	AC 230V 50Hz
	Rated Insulation Voltage	415V
DC-13	Rated Operational Voltage	DC110V
	Rated operating current	1A
Operating Characteristics	When the voltage is between 160-260V, the trip unit can reliably operate.	
Mechanical Life	Not less than 4,000 operations.	
Standards	GB/T 14048.5, IEC 60947-5-1	

Conductor requirements and cross section

Copper cross-section(mm ²)
1 X 2.5

Dimensions(mm)



Ordering Specification

Please specify the following when ordering:

- Product Model: CQAX2
- Quantity: [e.g.: 100 pcs]

Ordering Example:

CQAX2 100 pcs