

CHAC

PXB2 Series Miniature Circuit Breaker

PRODUCT CATALOG



ZHEJIANG CHUANGQI ELECTRIC CO.,LTD.

- 🏠 Wenzhou Base
No. 18, Shahong Road, Beibaixiang Town, Yueqing City, Wenzhou, Zhejiang Province, China
- 🏠 Jiaxing Base
No. 61, Zhengyang West Road, Xiuzhou District, Jiaxing, Zhejiang Province, China
- ☎ 0577-27878806
- ✉ marketing@chac-en.com
- 🌐 www.chac-electric.com



LINKEDIN



WEBSITE

V2026.04-CHAC-MKT

PXB2-63

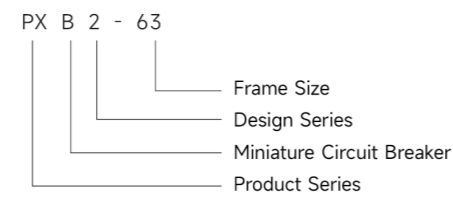
Miniature Circuit Breaker



Product Features

- Comprehensive & Versatile**
Integrates isolation, overload, and short-circuit protection. Suitable for a wide range of applications (commercial/industrial/residential)
- Flexible Configuration**
Offers three instantaneous tripping characteristics (Types B, C, D), multiple poles (1P, 2P, 3P, 4P), and a wide range of rated currents from 1A to 63A to meet diverse circuit requirements.
- Safety Certification**
Complies with international standards IEC60898-1 and GB/T10963.1, and holds China Compulsory Certification (CCC).

Type designation



Technical Specifications

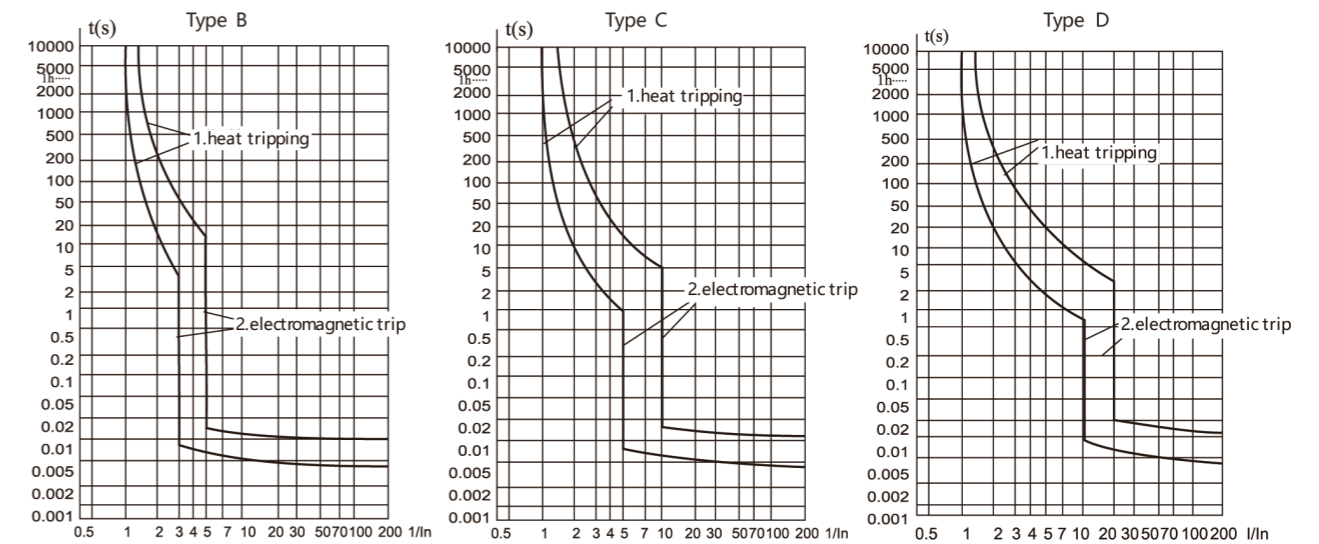
Parameter	
Rated Insulation Voltage	500V
Rated Impulse Withstand Voltage	4000V
Rated Current (A)	6, 10, 16, 20, 25, 32, 40, 50, 63
Rated Frequency	50Hz / 60Hz
Number of Poles	1P, 2P, 3P, 4P
Rated Short-Circuit Capacity I _{cn} (A)	4500A
Service Short-Circuit Capacity I _{cs} (A)	4500A
Mechanical and Electrical Endurance (cycles)	Mechanical ≥ 10000, Electrical ≥ 10000
Instantaneous Tripping Types	B, C, D
Grip Distance	45mm
Protection Degree	IP20
Standards Compliance	IEC60898-1, GB/ T10963.1
Certification	CCC

Tripping characteristics (Reference temperature 30°C)

Item	Tripping Curve	Test current I _n (A)	Initial Status	Time limit for tripping or non-tripping	Expected result	Remarks
a	B, C, D	1.13I _n	Cold	t ≤ 1h	Non-tripping	Current smoothly rises to specified value within 5s
b	B, C, D	1.45I _n	Following item a test	t < 1h	Tripping	
c	B, C, D	2.55I _n	Cold	1s < t < 60s (I _n ≤ 32A) 1s < t < 120s (I _n > 32A)	Tripping	
d	B	3I _n	Cold	t ≤ 0.1s	Non-tripping	Switch on the power supply by closing the auxiliary switch
	C	5I _n				
	D	10I _n				
e	B	5I _n	Cold	t < 0.1s	Tripping	Switch on the power supply by closing the auxiliary switch
	C	10I _n				
	D	20I _n				

Note: The term "cold" means that the test is carried out at a reference calibration temperature without load before the test.

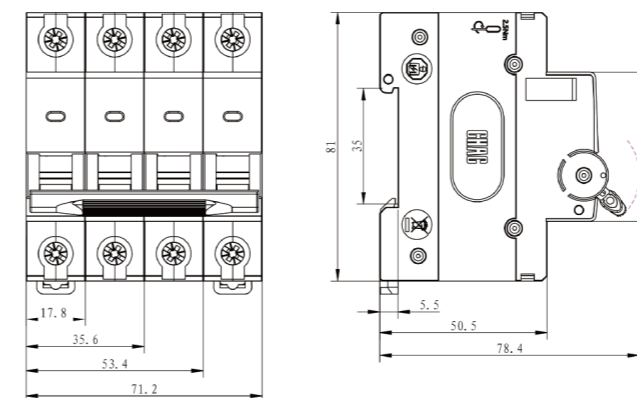
Tripping curves



Conductor requirements and cross section

Copper cross-section(mm ²)	Rated current I _n (A)
1	I _n ≤ 6
1.5	6 < I _n ≤ 13
2.5	13 < I _n ≤ 20
4	20 < I _n ≤ 25
6	25 < I _n ≤ 32
10	32 < I _n ≤ 50
16	50 < I _n ≤ 63

Dimensions(mm)

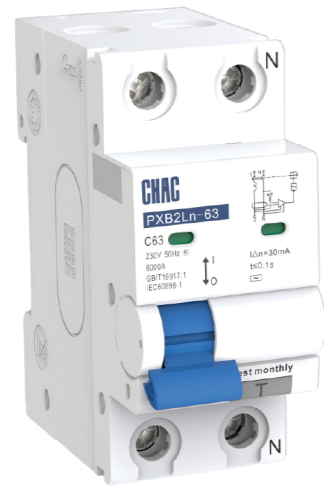


Ordering Specification

- Product Model: PXB2-63
 - Number of Poles: 1P, 2P, 3P, 4P
 - Rated Current & Tripping Curve: [e.g.: C/32A]
 - Tripping Curve: B, C, D
 - Rated Current (I_n): 6A, 10A, 16A, 20A, 25A, 32A, 40A, 50A, 63A
 - Quantity: [e.g.: 100 pcs]
- Ordering Example:
PXB2-63 2P C/32A 100 pcs

PXB2Ln-63

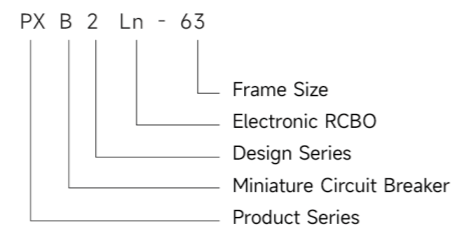
Residual Current Circuit Breaker with Overcurrent Protection - Electronic Type



Product Features

- Earth Leakage Protection
30/50/100/300mA sensitivity options provide personal protection against electric shock
- Dual Protection Function
Combines overload/short-circuit protection with earth leakage protection
- Fast Response
≤0.1s tripping time for quick fault circuit interruption
- Flexible Configurations
1P+N, 2P, 3P, 3P+N and 4P versions available

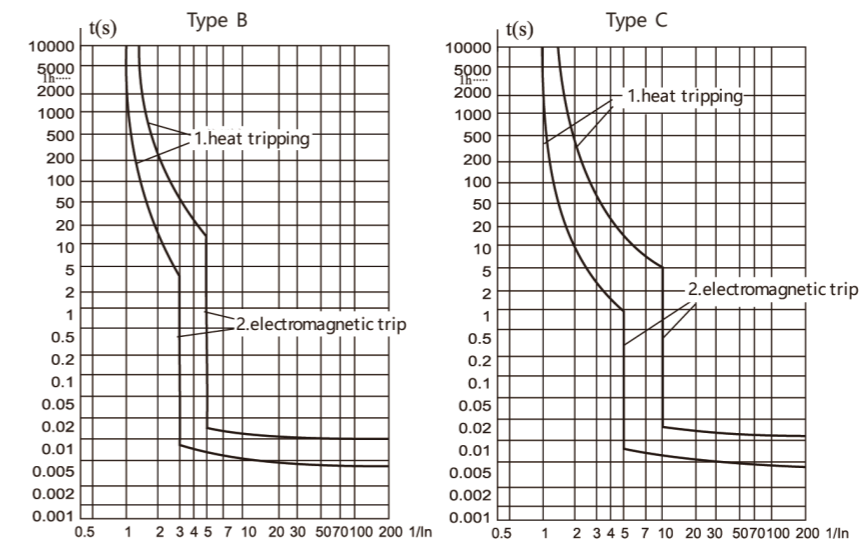
Type designation



Technical Specifications

Parameter	
Rated Current (In)	6A, 10A, 16A, 20A, 25A, 32A, 40A, 50A, 63A
Rated Voltage	230V~
Rated Frequency	50/60Hz
Rated Breaking Capacity	6kA
Tripping Type	Thermal-magnetic (for overload and short-circuit)
Residual Current Operating Characteristic	AC, A
Rated Residual Operating Current (IΔn)	30mA
Rated Residual Non-Operating Current (IΔno)	15mA
Instantaneous Tripping Type	B, C
Number of Poles	1P+N
Rated Impulse Withstand Voltage (Uimp)	4kV (1.2/50 μs wave)
Power Frequency Withstand Voltage Test	2kV for 1 minute
Thermal Tripping Characteristic	(1.13-1.45) x In
Magnetic Tripping Characteristic	B: (3-5) x In, C: (5-10) x In
Electrical Endurance	6,000 cycles
Mechanical Endurance	10,000 cycles
Contact Position Indicator	Yes
Degree of Protection	IP20
Ambient Temperature	-25°C to +40°C, max. humidity 95%
Maximum Cable Terminal Size	16mm ²
Maximum Tightening Torque	2.5 N.m
Mounting Method	Mounts on 35mm DIN rail
Standard	IEC/EN 61009-1

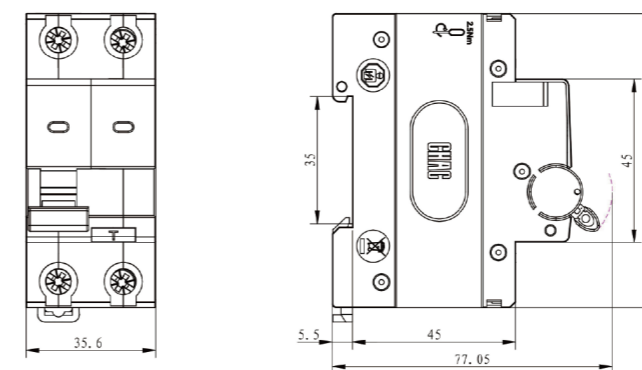
Tripping curves



Conductor requirements and cross section

Copper cross-section(mm ²)	Rated current In(A)
1	In ≤ 6
1.5	6 < In ≤ 13
2.5	13 < In ≤ 20
4	20 < In ≤ 25
6	25 < In ≤ 32
10	32 < In ≤ 50
16	50 < In ≤ 63

Dimensions(mm)



Ordering Specification

- 1.Product Model: PXB2Ln-63
 - 2.Number of Poles: 1P+N,
 - 3.Rated Current & Tripping Curve: [e.g.: C/32A]
 - Tripping Curve: B, C,
 - Rated Current (In): 6A, 10A, 16A, 20A, 25A, 32A, 40A, 50A, 63A
 - 4.Rated Residual Operating Current (IΔn): 30mA,
 - 5.Quantity: [e.g.: 100 pcs]
- Ordering Example:
PXB2Ln-63 1P+N C/32A 30mA 100 pcs