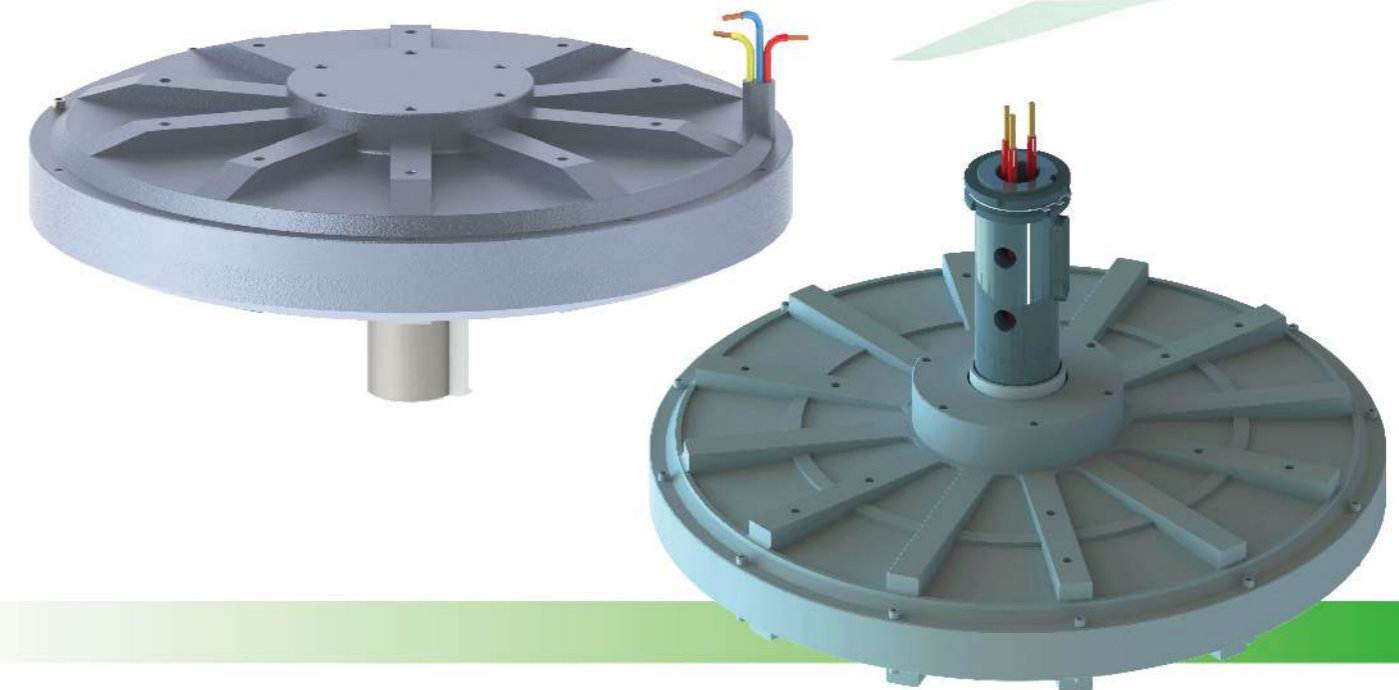


# PRODUCT BROCHURES

## Axial Flux Coreless Generator



Sales ✉ [sales@greefenergy.com](mailto:sales@greefenergy.com)

☎ +86-1986146 5785 +86-532-67731422

After Sales ✉ [service@greefenergy.com](mailto:service@greefenergy.com)

☎ Mobile:+86-15166057722

🌐 [www.greefenergy.com](http://www.greefenergy.com) | [greefenergy.en.alibaba.com](http://greefenergy.en.alibaba.com) | [qd-greef.en.made-in-china.com](http://qd-greef.en.made-in-china.com)

Global Marketing Center: No. 6 Changcheng South Road, Chengyang District, Qingdao City, Shandong Province, China.

Factory: No. 20 Jingmin Road, Huangdai Town, Xiangcheng District, Suzhou City, Jiangsu Province

## Company Introduction

GREEF NEW ENERGY is global supplier which focus on Wind, Solar and Hydro generation system solution .

We provide customized system solution which suitable for off-grid , grid-tied and hybrid system for renewable energy system. GREEF own our own factory manufacture permanent magnet generator from 300W to 5MW. Wind turbine Blades until 200kw, grid-tied wind turbine controllers until 2MW and own patent control system for controllers .

Our solar&wind turbines are installed all over the world. 50% staff in our engineer team have 12-20 years' experience in the field, we can help clients to customize overall system solution with strong flexibility and competitive capabilities, our service that can be delivered include but are not limited to: overall design plan, principle drawing, 3D renderings, sample physical, bulk product delivery, quality control, and after-sales service. With a fast service system, we can assist our customers to save cost and time.

GREEF Products have been export to all over the world, like Europe, South America, North America and other countries. All products have CE approvals with 3 to 5 years warranty, the quality and on-time delivery are guaranteed by Alibaba.

Since the start of the company, we have been passionate believers in our mission to provide cheaper, reliable electricity through the power of renewable energy. Your support and belief in what Greef lives for, starting with our motto "Power the world with green energy", has allowed us to rapidly innovate and become a responsible supplier in distributed renewable energy.



## Why Choose Us



Bureau, SGS, TUV Verified Supplier



Top 3 suppliers of generators products with all 5-star on Alibaba.com



Products quality and on time delivery are guaranteed by Alibaba.com



11 years' experience engineer & QC team



Focus on after-sales service



One-stop customized system solution



Trade experience with more than 60 countries



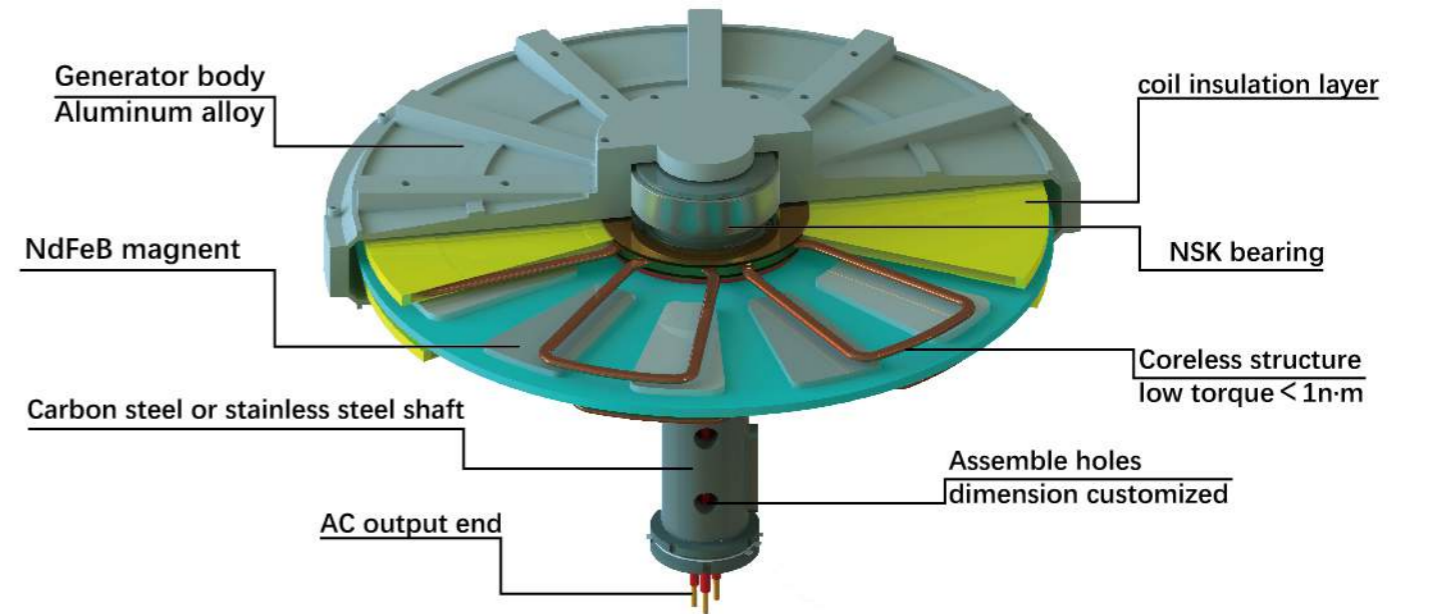
CE, RoHS certificated



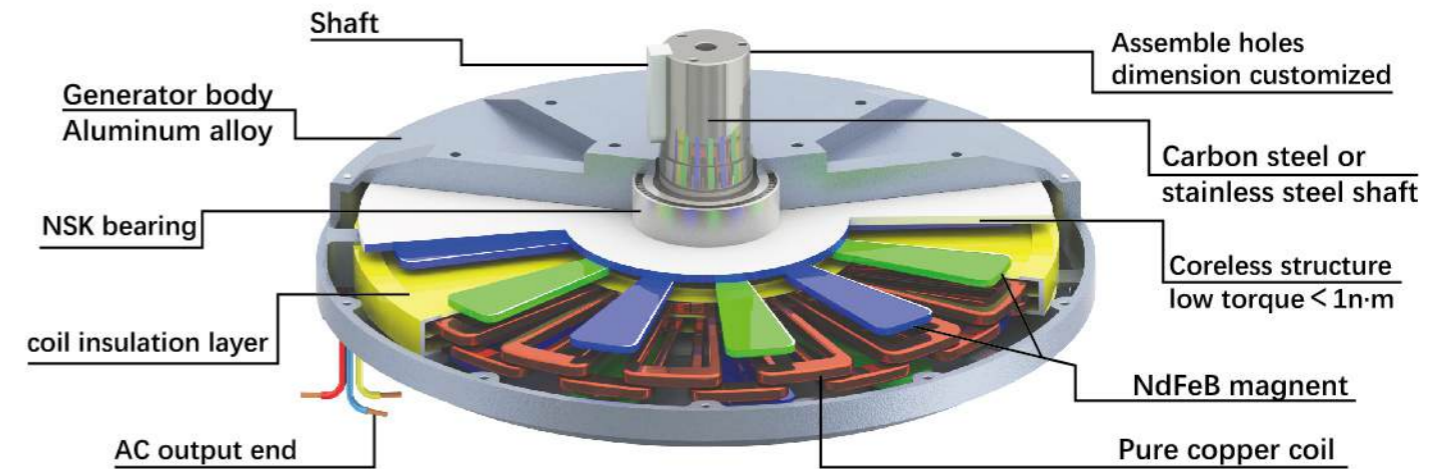
OEM,ODM are accepted



# Product Structure









Outer-rotor Generator



Inner-rotor Generator

# Product Specification Data

Model	Pictures	Power	Speed	Voltage Range	PACKAGE SIZE (mm)	G.W (KG)	POLE NUMBER	Frequency (Hz)	Bearing Model	Rated Torque (Nm)	
<b>GDG-200-1</b>		100W	250 rpm	12-48V	250*250*230	7.5	16	33.3			
		200W	450 rpm	12-48V				60			
300W		700 rpm	12-48V	93.3							
<b>GDG-200-2</b>		50W	200 rpm	12-48V		6.8		26.7		3.3	
		100W	350 rpm	12-48V				46.7			
<b>GDG-230</b>			50W	150 rpm		12-48V		250*250*230	9.5	16	20
	60W		150 rpm	12-48V	20						
	100W		200 rpm	12-48V	26.7						
	200W		320 rpm	24-48V	42.7						
	300W		450 rpm	24-48V	60						
	400W		560 rpm	24-48V	74.7						
<b>GDG-260-1</b>		100W	150 rpm	12-48V	320*320*300	12	20	25			
		200W	200 rpm	12-48V				33.3		12	
		300W	250 rpm	24-48V				41.7			
		500W	360 rpm	24-48V				60			
		500W	350 rpm	24-48V				58.3			
		500W	400 rpm	24-220V				66.7		14.6	
		500W	300 rpm	24-48V				50			
<b>GDG-260-2</b>		300W	200 rpm	12-48V	320*320*320	16	20	33.3			
		500W	300 rpm	12-48V				50			
		500W	300 rpm	24-48V				50			
		1000W	500 rpm	24-96V				83.3			
<b>GDG-320</b>		500W	200 rpm	24-220V	360*360*300	24	20	33.3	NSK6209zz	29	
		2KW	550 rpm	48-220V				91.7			
		1KW	350 rpm	24-220V				58.3			
		2KW	500 rpm	24-220V				83.3			
		1KW	300 rpm	48-220V				50			38
		500W	200 rpm	12-48V				33.3			29
		2KW	500 rpm	48-220V				83.3			
<b>GDG-380</b>		1KW	200 rpm	48-220V	430*430*360	38	28	46.7			
		2KW	350 rpm	48-400V				81.7			
		3KW	500 rpm	48-400V				116.7			

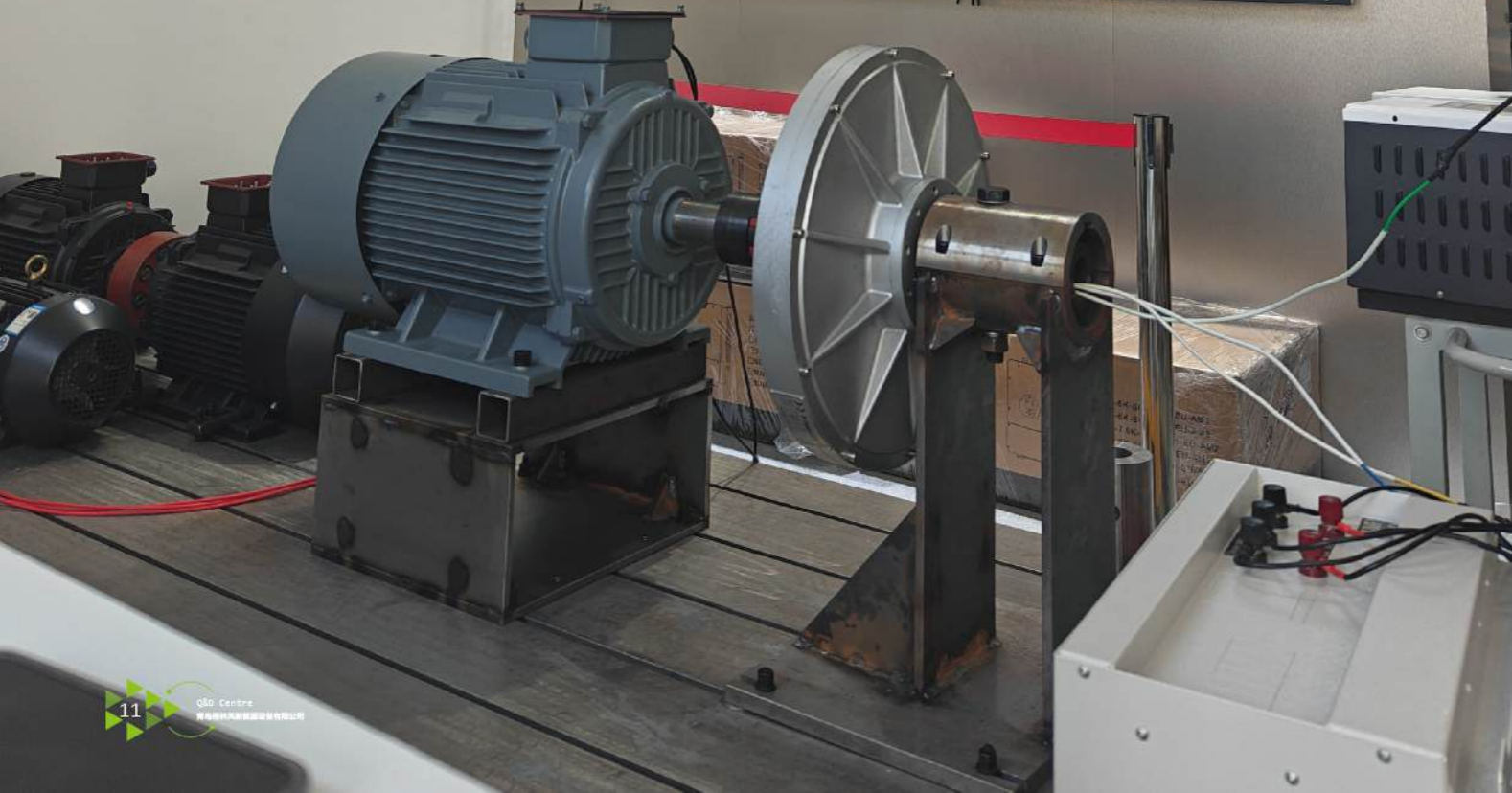
Model	Pictures	Power	Speed	Voltage Range	PACKAGE SIZE (mm)	G.W (KG)	POLE NUMBER	Frequency (Hz)	Bearing Model	Rated Torque (Nm)	
<b>GDG-400</b>		1KW	180 rpm	48-400V	450*450*380	44	36	54	NSK6210zz	78	
		1KW	150 rpm	48-400V				45			
		1KW	150 rpm	48-220V				45			
		2KW	300 rpm	48-400V				90			
<b>GDG-420</b>		1.5KW	200 rpm	72-400V	470*470*450	47	24	40		104	
			5KW	500 rpm				96-400V			100
<b>GDG-450</b>			2kw	160 rpm	48-400V	510*510*470	55	20	26.7		120
			2KW	180 rpm	48-400V				30		
	3KW		250 rpm	48-400V	41.7						
<b>GDG-450 Thickened</b>	Different thicknesses		4KW	300 rpm	48-400V	510*510*480	62	24	50		
			1KW	100 rpm	48-400V				20		
			3KW	180 rpm	60-400V				36		
<b>GDG-550</b>			5KW	300 rpm	48-400V	600*600*550	85	32	60	6216zz	185
		2KW	120 rpm	72-400V	32						
		3KW	180 rpm	72-400V	48						
		3KW	160 rpm	220-400V	42.7						
		5KW	250 rpm	220-400V	66.7						
		2KW	120 rpm	48-380V	32						
<b>GDG-620</b>		3KW	160 rpm	48-400V	690*690*580	136	24	42.7		185	
		3KW	100 rpm	110-400V				20			
		5KW	150 rpm	110-400V				30			
		10KW	300 rpm	220-400V				60			
		3KW	100 rpm	220-400V				20			
<b>GDG-700</b>		5KW	150 rpm	220-400V	750*750*600	180	36	30		550	
		7.5kW	100 rpm	220-400V				45			
		10KW	200 rpm	220-400V				60			
<b>GDG-770</b>		10KW	150 rpm	220-400V	830*830*760	215	36	45	6218zz	724	
		20KW	300 rpm	220-400V				90			
<b>GDG-770 Thickened</b>		10KW	100 rpm	220-400V	830*830*780	230	36	30			1085
			20KW	200 rpm				220-400V			
<b>GDG-860</b>		15KW	100 rpm	220-401V	920*920*780	320	36	30	NSK6220zz		
		10KW	70 rpm	220-450V				21			
		12KW	100 rpm	220-400V				30			
		20KW	150 rpm	400V				45			
		20KW	140 rpm	220-450V				42			
		30KW	200 rpm	220-450V				60			
<b>GDG-1100</b>		15KW	60 rpm	220-450V	1200*1200*800	550	48	24			
		20KW	60 rpm	380-450V				24			
		65KW	300 rpm	220-450V				120			
		30KW	90 rpm	380-450V				36			
		50KW	150 rpm	380-450V				60			
		100KW	300 rpm	380-450V				120			



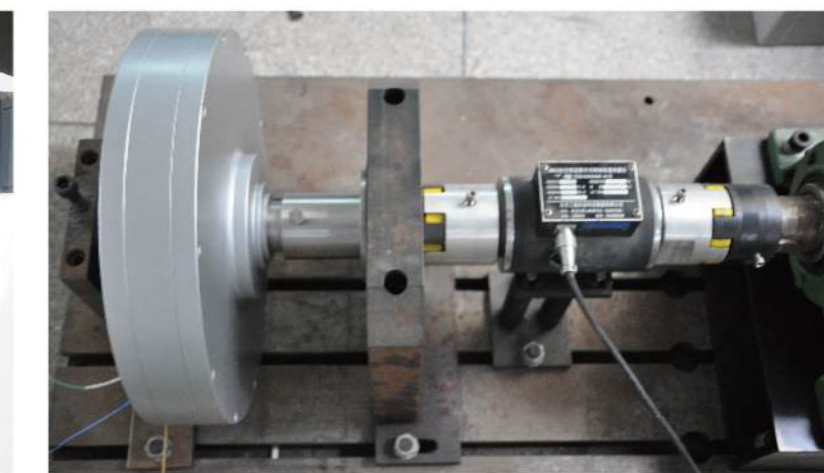
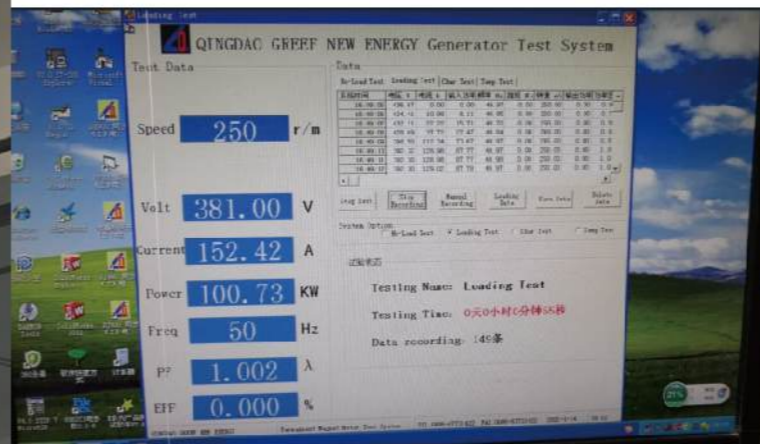
Scan the QR code



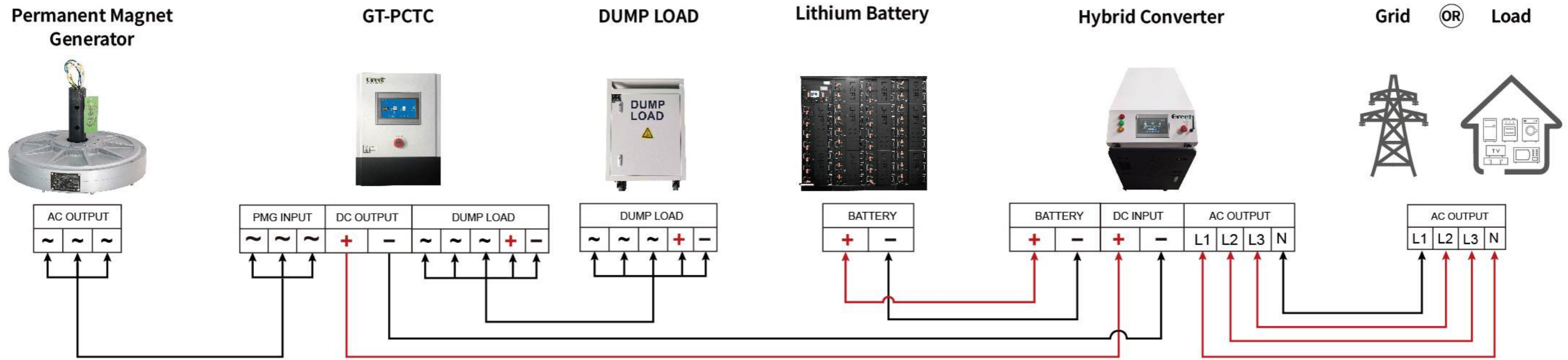
# 研发测试中心 A&D Testing Center



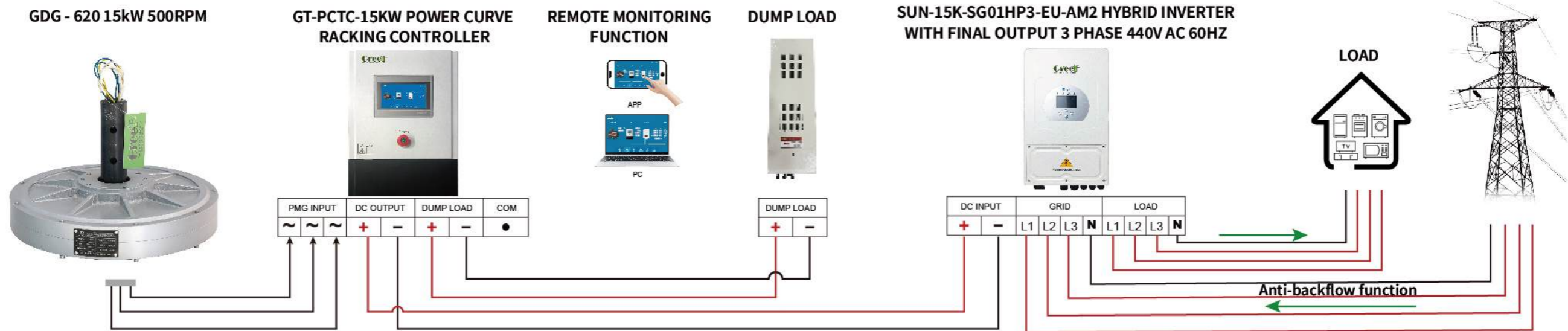
## R&D Center



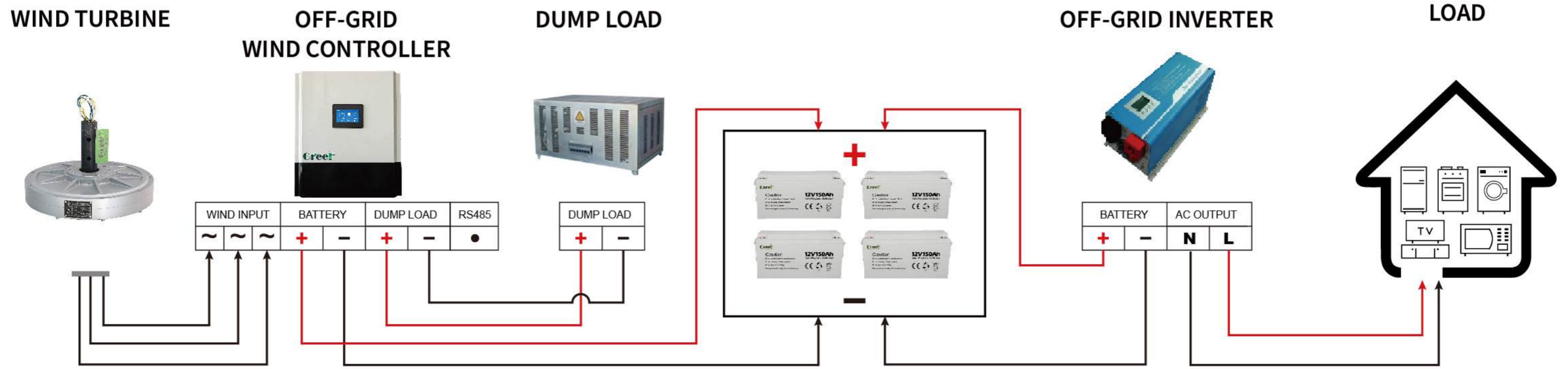
# Generator-Battery Hybrid System-Over 100kw



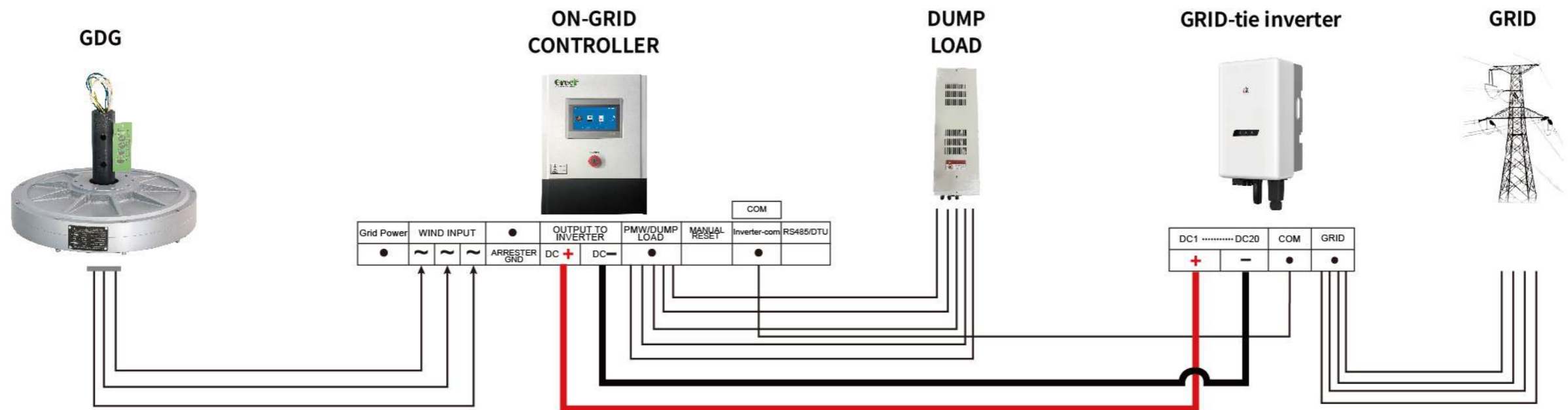
# Generation Hybrid System



# Off-Grid Wind Turbine SYSTEM



# On-Grid Wind Turbine SYSTEM



# Product Project



# GREEF WIND TRACKER CONTROLLER

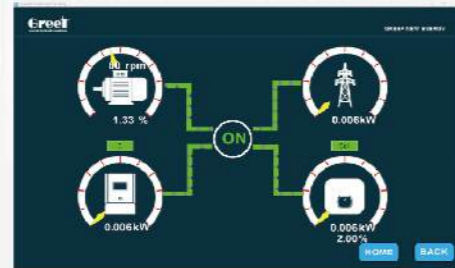
## Product Overview



Grid-Tied Controller is technologically the most important component in wind generator on-grid systems, which convert Three AC current from wind turbine into DC current then send to the grid-tie inverter.

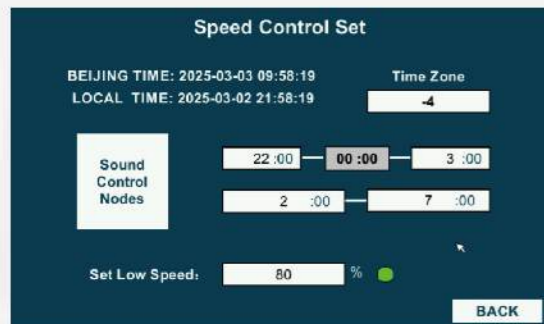
GT-PCTC series wind professional grid-tied controller which have Double safety control systems: PWM constant voltage system and three-phase dump load brake system, This innovative solution also interfaces with solar inverters from brands like Growatt, Deye, Solis, and Ivet, enabling solar inverters to adapt to wind turbine operating conditions.

## LCD Touch Screen



- Power curve control function  
**Speed vs Power**
- Monitoring of Wind Speed,  
**Wind Turbine Speed**
- Braking Systems  
**PMW & Dump Load & Manual**

## Remote Control



- Supports remote monitoring on  
**PC & APP**
- Communication with  
**Solar Inverter**
- Noise period** control function



Can work with following brand solar inverter:



# HYBRID CONVERTOR

- EMS smart energy management system
- Multiple configurable operating modes: off-grid, grid-tied, and grid charging
- Double LCD smart touch Screen Display
- Generator power curve tracking technology
- AC/DC dual backup for auxiliary power supply
- Control Technology for Unbalanced Loads
- Standard RS 485 modbus RTU protocol
- PMW dump load over voltage over speed protection function (optional)
- Water gate motor control function (optional)
- WIFI/ LAN Remote monitoring and control app available (optional)
- Support customized sensor control function (optional)
- Support add Static Transfer Switch (STS) for Grid-Tie/Off-Grid Applications (optional)



## Product Overview

GREEF ENERGY Hydro Grid-tied Converter integrates the capabilities of AC-to-DC rectification for Permanent Magnet (PM) generators, DC-to-AC inversion, and an intelligent energy management system. Equipped with a configurable dual LCD touchscreen, it utilizes advanced converter technology to control output power in real-time based on turbine rotational speed, achieving precise voltage/frequency regulation for Permanent Magnet Synchronous Generators (PMSGs).

The system now incorporates an intelligent water gate control function and integrates multiple sensors (including water level, flow, pressure, etc.) to establish a comprehensive safety control system, ensuring secure and stable operation. For grid connection, it supports direct grid-tied operation, enabling grid charging and energy feedback functionalities.

## Technical Specifications

Rated power(kW)	100/125/150/200/250/300/500/600/700/800/1000
Optimal generator rated voltage(Vac)	400/450
Input voltage range	180V -550Vac
Rated grid voltage(V)	400
Permissible grid voltage range(v)	300-460
Rated grid frequency(Hz)	50/60
Power factor	> 0.99
Power factor range	-1~1
Protection level	IP54
Display	LCD SMART Touch Screen
Communication mode	Ethernet, RS485, WIFI



## After-sales Service



Thank you for choosing "GREEF" new energy products. We always provide a comprehensive range of services before, during and aftersales. "GREEF NEW ENERGY guarantee as follows:

### I. Warranty period:

Axial Flux Coreless Generator is Three years warranty.  
 OFF-GRID controller & inverter & converter is Two years warranty.  
 ON-GRID Wind inverter is Two years warranty.  
 Battery is Four years warranty.

- (1) The warranty period is start from the date of on the guarantee card.
- (2) During the warranty period, the cost of maintenance services caused by our product's quality problems, be borne by our company, do not charge a fee from customers; if any maintenance outside the warranty period, our company will charge a fee from customers.
- (3) During the warranty period, the freight of maintenance service caused by our product's quality problems, be borne by our company, do not charge a fee from customers; if not under warranty or not quality problem, all the freight charges by the customer.



### II. Warranty:

We will provide the approved products for all customers to provide maintenance services. But in order to enable the two sides can enjoy fair Treatment, for the following reasons for failure or damage, we will not provide free warranty.

- (1) When beyond the warranty period;
- (2) Disasters, leaving damage to the product caused by accident;
- (3) The user-transport, carrying, falling, collision and damage caused by the failure;
- (4) The product as user-modification, and other failures caused by improper use and damage;
- (5) The users' un-normally operation, like test with other equipment, and caused by the failure;
- (6) Customer open and repair device without our guide and cause damage.



### III. Maintenance services implementation:

- (1) If your machine meet any problems, please take photos and videos send to our service department and explain the details of the problems. or send to the sales which you contact before.
- (2) Our engineers will check the problem, and give you suggestion to solve the problem. Most of the small problem can be solved after engineer guide.
- (3) If we find that any parts need to be replacement, we will send the parts to customers. Quality problem we afford all the charge within warranty period.
- (4) If a major problem in our products, we will send engineers to provide appropriate support.

### IV. Fees:

During the After-sale process, if we need charge fee form customers, the fees = replacement parts + technical service fees + freight + labor costs, we will provide timely material Price (cost).