

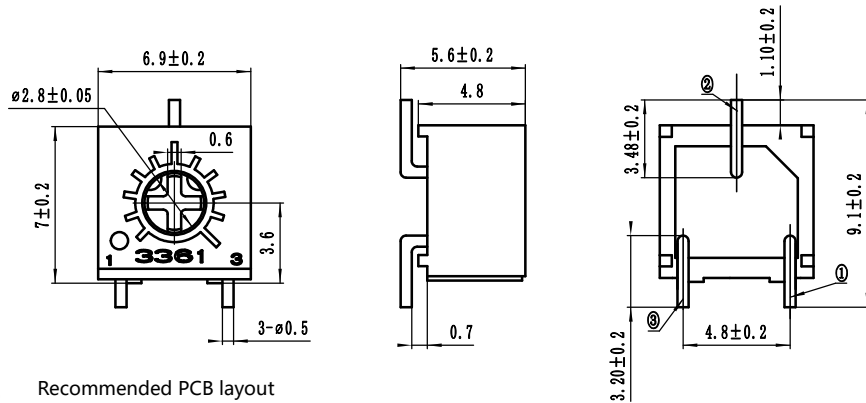
Features

- Rated Power: 0.25W
- Single-turn
- Precision Adjustable
- Reliable Performance
- Small Size
- High Precision

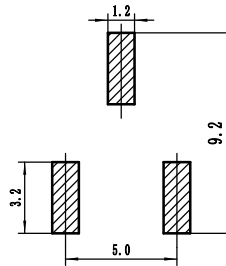
Product Dimensions



3361P



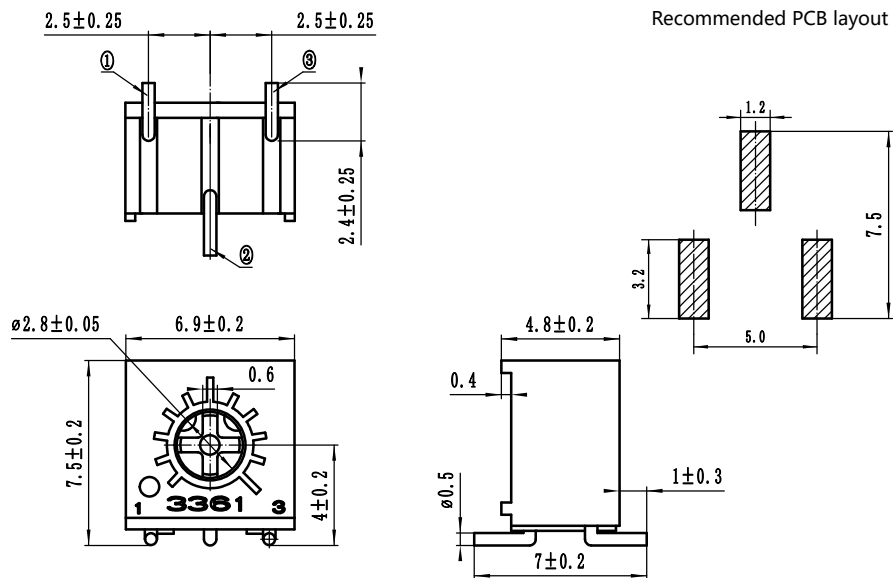
Recommended PCB layout



DIMENSIONS: MM
TOLERANCES: ± 0.3 MM EXCEPT WHERE NOTED



3361S



Recommended PCB layout

DIMENSIONS: MM
TOLERANCES: ± 0.3 MM EXCEPT WHERE NOTED

Electrical Characteristics

| Items | Parameters |
|-------------------------------|------------------------------------|
| Standard Resistance Range | 10Ω-5MΩ |
| Resistance Tolerance | ±10% |
| End Resistance | ≤±1% R or 3Ω |
| Contact Resistance Variation | ≤3%R or 3Ω |
| Insulation Resistance | 500 Vdc. 100megohms min. |
| Withstanding Voltage | 101.3KPa, 500 Vac; 8.5KPa, 250 Vac |
| Dielectric Strength Sea Level | 500 Vac (1 minute) |
| Adjustment Angle | 220° |

Environmental Characteristics

| Items | Parameters |
|------------------------------|--|
| Max. Soldering Exposure | 250°C , 10 seconds |
| Power Rating(300 volts max.) | 70°C, 0.25W; 125°C, 0W |
| Operating Temp. Range | -55°C ~ + 125°C |
| Temperature Coefficient | ±250、±100 ppm /°C |
| Temperature Variation | ΔR≤±3%R, Δ(Uab/Uac) ≤±1% |
| Vibration | 20G, ΔR≤±1%R, Δ(Uab/Uac) ≤±1% |
| Shock | 100G, ΔR≤±1%R, Δ(Uab/Uac) ≤±2% |
| 70°C Electrical Endurance | 1000 hours @ 70°C Rated Power; ΔR≤±3%R |
| Rotational Life | 200 cycles、ΔR≤±3%R |

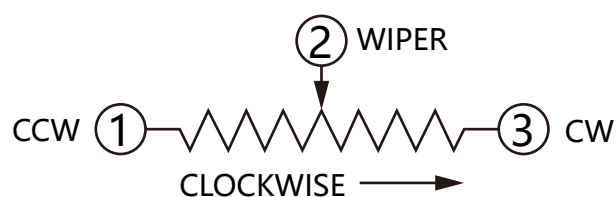
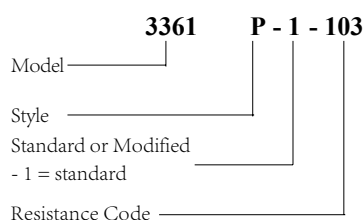
Physical Characteristics

| Items | Parameters |
|--------------------|----------------|
| Mechanical Angle | 250° |
| Starting Torque | ≤25 mN.m |
| Stop Strength | ≤35 mN.m |
| Standard Packaging | 50 pieces/reel |

Standard Resistance Table

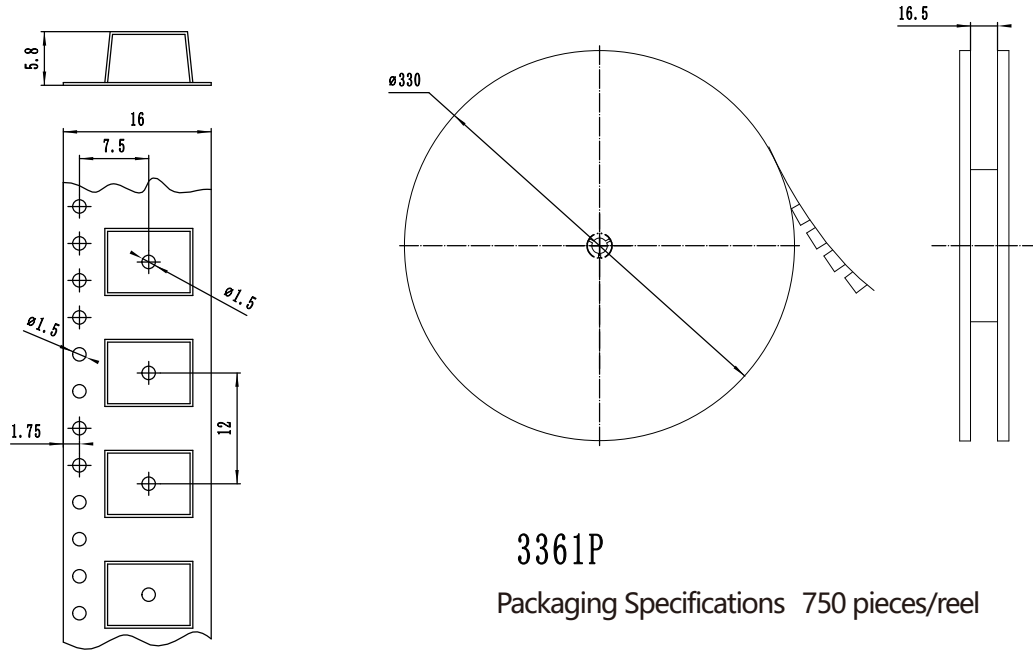
| Resistance(Ohms) | Resistance Code |
|------------------|-----------------|
| 10 | 100 |
| 20 | 200 |
| 50 | 500 |
| 100 | 101 |
| 200 | 201 |
| 500 | 501 |
| 1,000 | 102 |
| 2,000 | 202 |
| 5,000 | 502 |
| 10,000 | 103 |
| 20,000 | 203 |
| 50,000 | 503 |
| 100,000 | 104 |
| 200,000 | 204 |
| 500,000 | 504 |
| 1,000,000 | 105 |
| 2,000,000 | 205 |

How to Order



Packaging Specifications

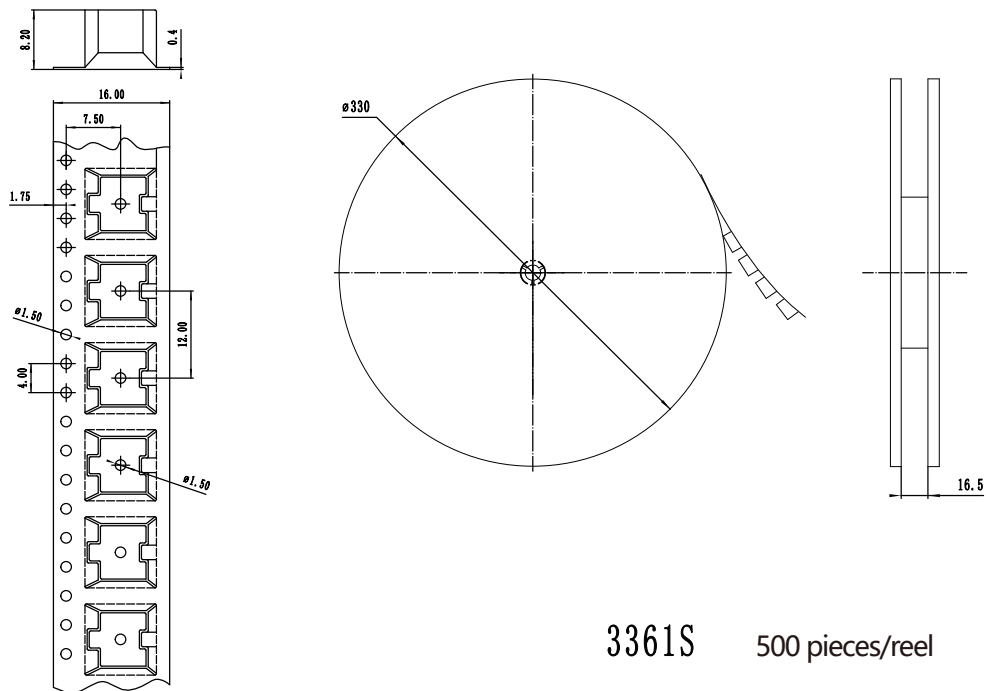
3361P



3361P

Packaging Specifications 750 pieces/reel

3361S



3361S

500 pieces/reel

DIMENSIONS: MM