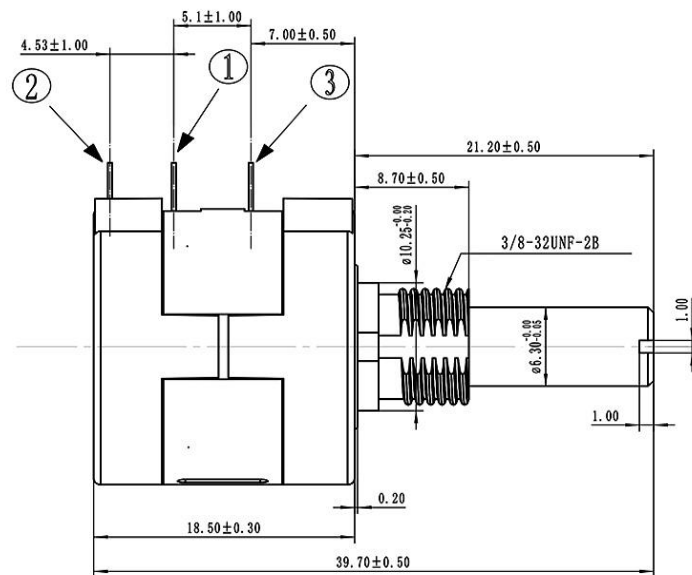
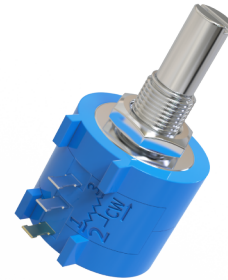
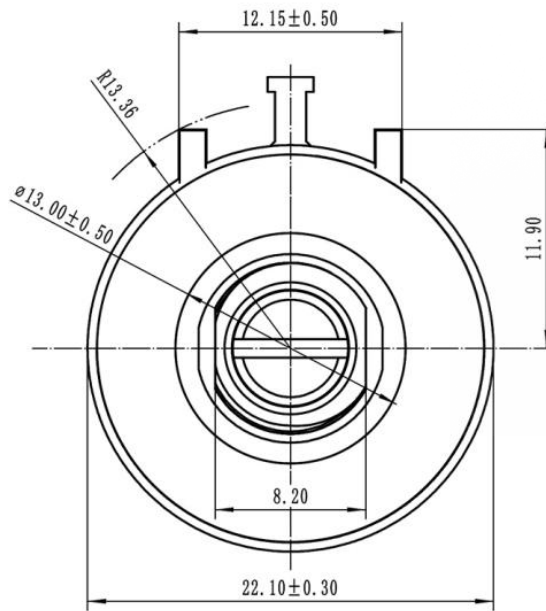


Features

- Rated Power: 2W
- 10 Turns
- Precision Adjustable
- Reliable Performance
- Small Size
- High Precision

Product Dimensions



Support special customization (5 turns/3 turns, semicircular shaft/flat shaft, long shaft/short shaft, waterproof and etc)

DIMENSIONS: MM
TOLERANCES: ±0.3 MM EXCEPT WHERE NOTED

Electrical Characteristics

Items	Parameters
Standard Resistance Range	100Ω-100KΩ
Resistance Tolerance	±5%
Linearity	±0.5%
Effective Electrical Stroke	≥3600°-10°
Terminal resistance	≤0.2%R or 5Ω
Rotating Noise	≤3%R or 3Ω
Insulation Resistance	RI≥1GΩ
Withstanding Voltage	101.3kPa 710V, 8.5kPa 470V

Environmental Characteristics

Items	Parameters
Power Rating(300 volts max.)	2W@+70°C, 0W@+125°C
Operating Temp. Range	-55°C~+125°C
Temperature Coefficient	±100ppm/°C
Temperature Variation	ΔR≤2%R, Δ(Uab/Uac)≤±1%
Collision	390m/s ² , 4000cycles, R≤±1%R
Vibration	10-500Hz0.75mm, or 98m/s ² , 6hΔR≤±1%R, Δ(Uab/Uac)≤±2%
Climate Sequence	ΔR≤±3%R, RI≥100MΩ
70°C Electrical Endurance	2W, 1000h, ΔR≤±3%R
Rotational Life	10000(cycles), ΔR≤±3%R
Steady State Heat	ΔR≤±3%R, RI≥100MΩ

Physical Characteristics

Items	Parameters
Mechanical Angle	3600°±10°
Starting Torque	≤36 mN.m
Stop Strength	≤300 mN.m
Standard Packaging	25/50 Pieces/Inner Box, 200 Pieces/Carton.

Standard Resistance Table

Resistance(Ohms)	Resistance Code
100	101
200	201
500	501
1,000	102
2,000	202
5,000	502
10,000	103
20,000	203
50,000	503
100,000	104

How to Order

